



US00D449417B1

(12) **United States Design Patent**
Snyder

(10) **Patent No.:** **US D449,417 S**

(45) **Date of Patent:** **** Oct. 16, 2001**

(54) **FOLDABLE CANOPY FOR THE OPERATOR'S POSITION ON A TRUCK MOUNTED KNUCKLE BOOM**

D. 424,778 * 5/2000 Dahl et al. D34/34
4,669,565 * 6/1987 Miki et al. 180/89.12

* cited by examiner

(76) **Inventor:** **William Snyder**, Box 283, R.D. #1,
Gouldsboro, PA (US) 18424

Primary Examiner—Cynthia E. Ramirez
(74) *Attorney, Agent, or Firm*—Charles A. Wilkinson

(**) **Term:** **14 Years**

(57) **CLAIM**

(21) **Appl. No.:** **29/109,759**

I claim the ornamental design for a foldable canopy for the operator's position on a truck mounted knuckle boom, as shown and described.

(22) **Filed:** **Aug. 19, 1999**

(51) **LOC (7) Cl.** **12-05**

DESCRIPTION

(52) **U.S. Cl.** **D34/37**

(58) **Field of Search** D34/34, 37; D15/23,
D15/25, 30; D12/96, 14, 1; 180/22, 24,
89.12, 89.13, 89.16, 89.18; 280/756; 296/102

FIG. 1 is a front elevation view of the foldable canopy for the operator's position on a truck mounted knuckle boom showing my new design;

FIG. 2 is an enlarged front elevation thereof.

FIG. 3 is a side elevation thereof;

FIG. 4 is a side elevation view thereof in an alternate position;

FIG. 5 is a top view thereof.

FIG. 6 is a rear elevation view thereof; and,

FIG. 7 is a bottom view thereof.

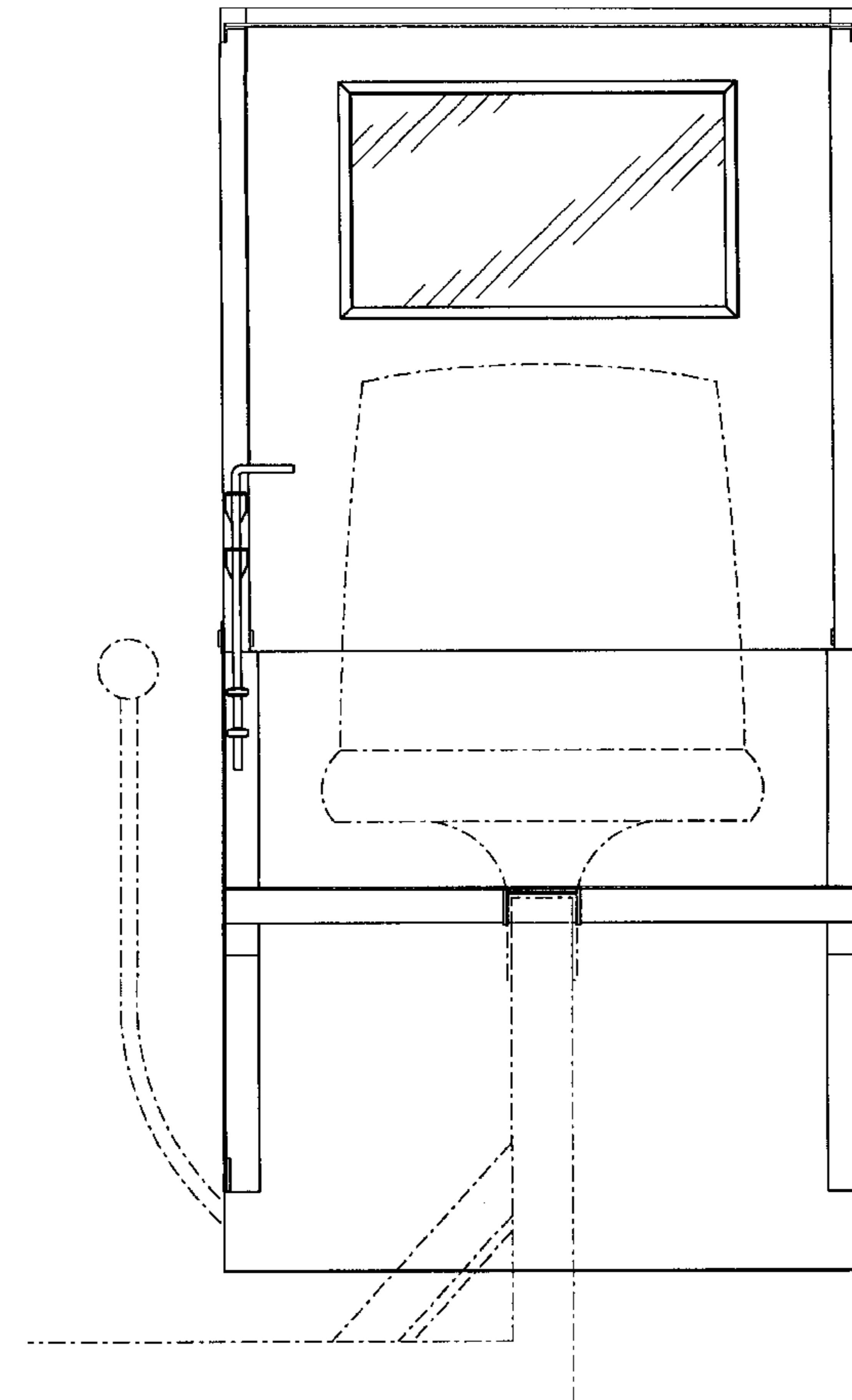
The broken line showing of a truck, a seat and controls in FIGS. 1-4 is for illustrative purposes only and forms no part of the claimed design.

(56) **References Cited**

U.S. PATENT DOCUMENTS

- D. 227,756 * 7/1973 Smart et al. D34/37
- D. 271,151 * 10/1983 Kirby et al. D34/37
- D. 276,758 * 12/1984 Krueck et al. D34/34
- D. 306,450 * 3/1990 Funabashi et al. D15/30
- D. 316,468 * 4/1991 Sandroock et al. D34/37
- D. 410,472 * 6/1999 Hinsperger D15/30
- D. 415,772 * 10/1999 Hinsperger D15/30
- D. 424,580 * 5/2000 Moehle et al. D15/23

1 Claim, 6 Drawing Sheets



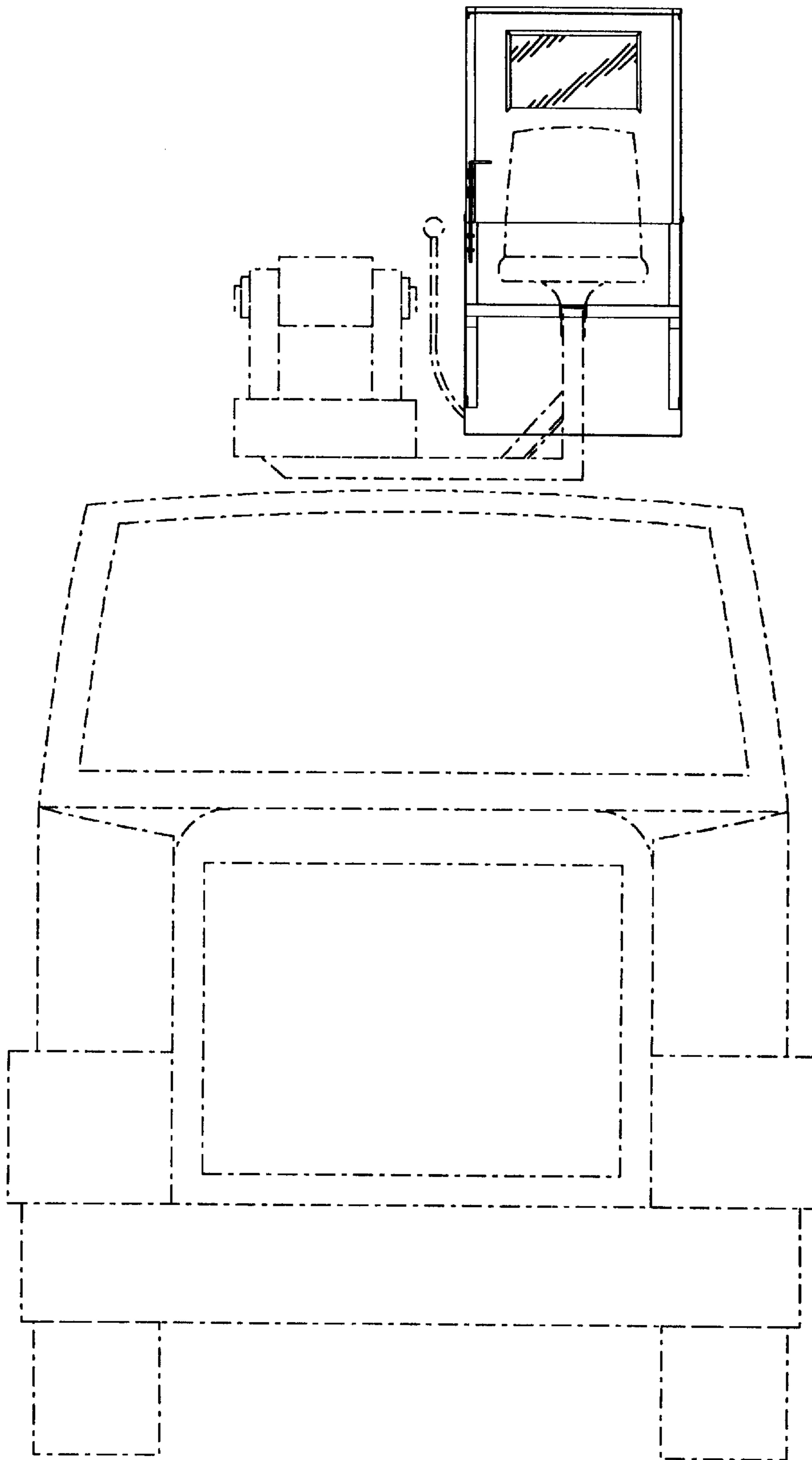


Fig. 1

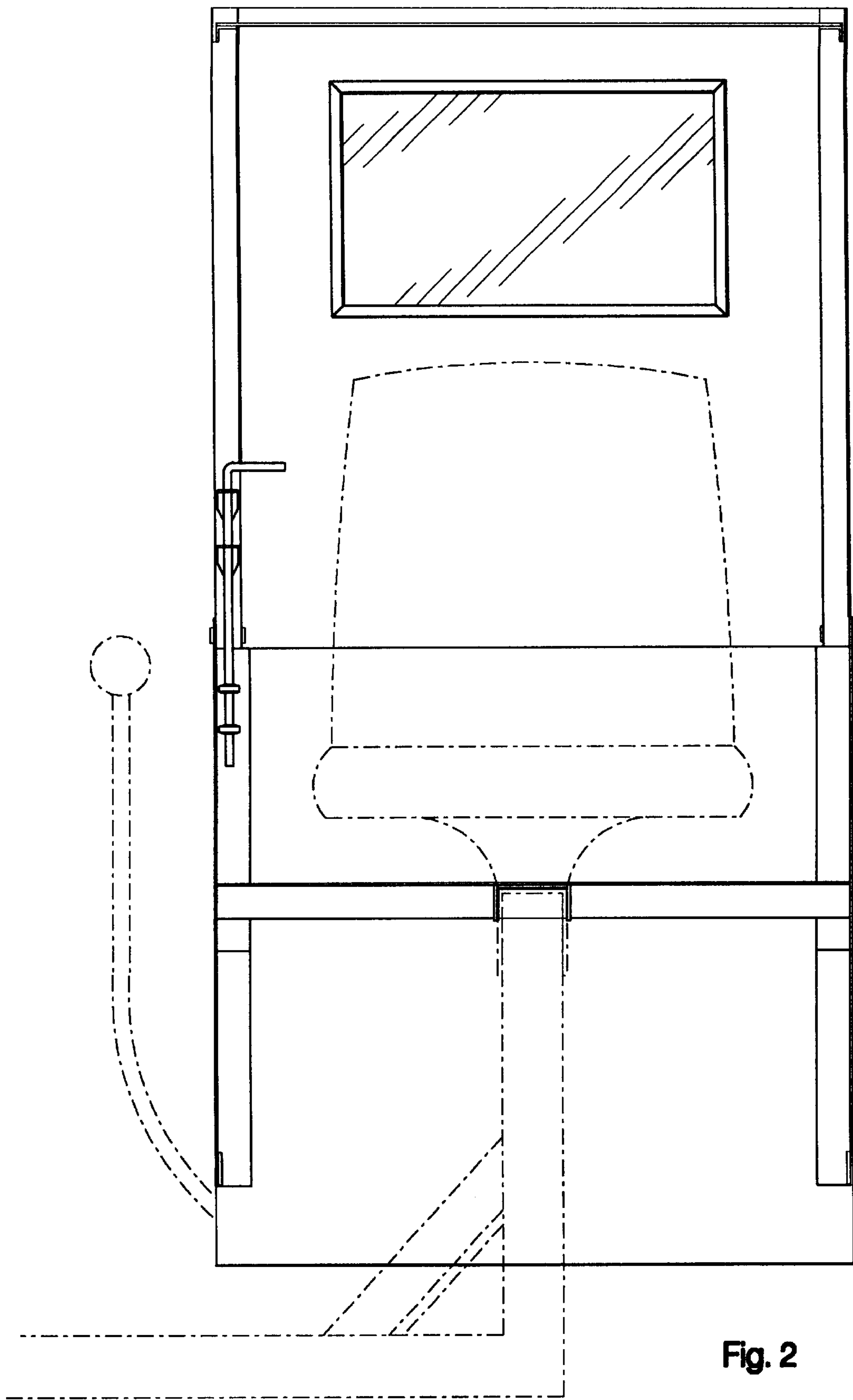


Fig. 2

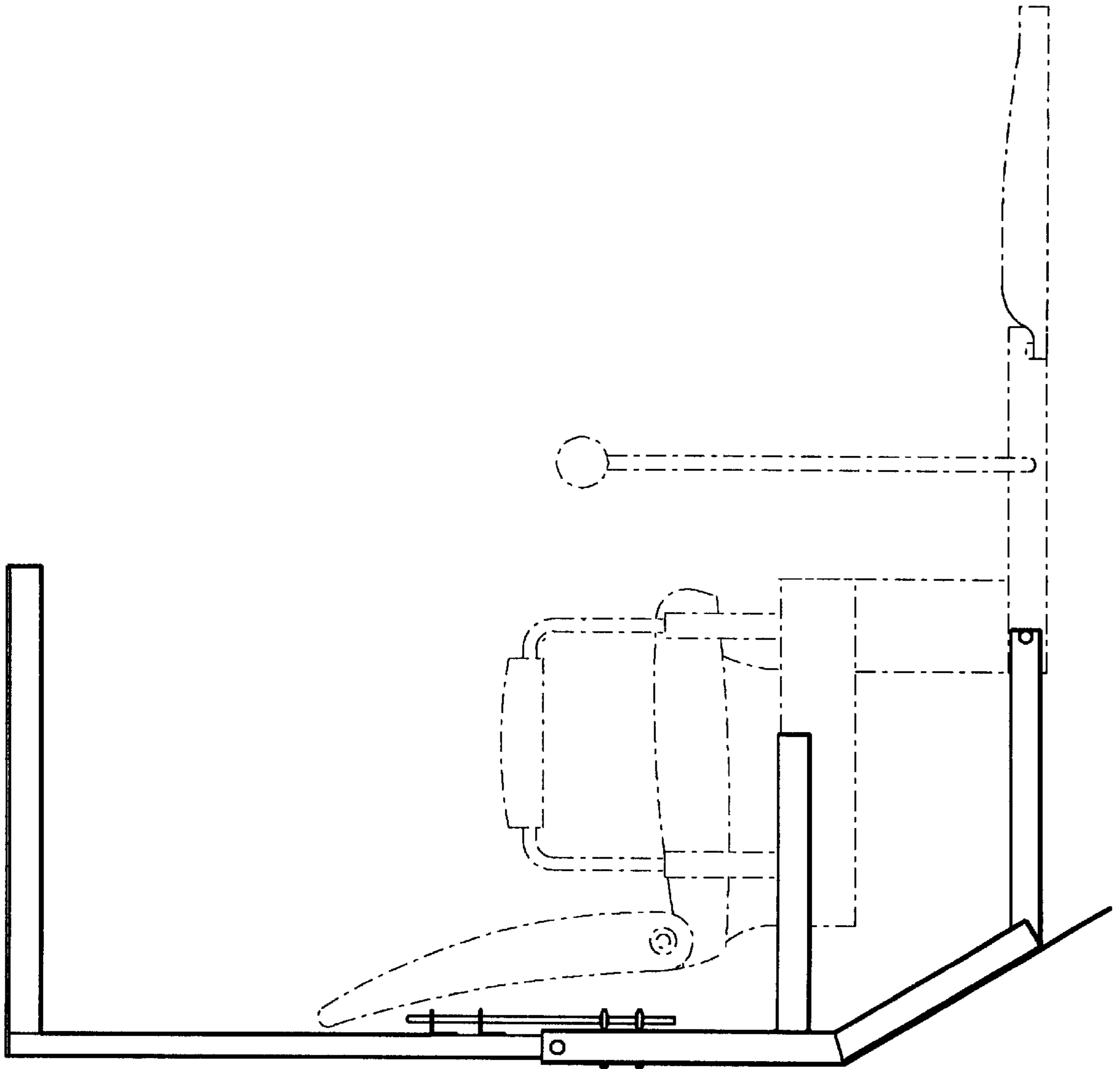


Fig. 3

Fig. 4

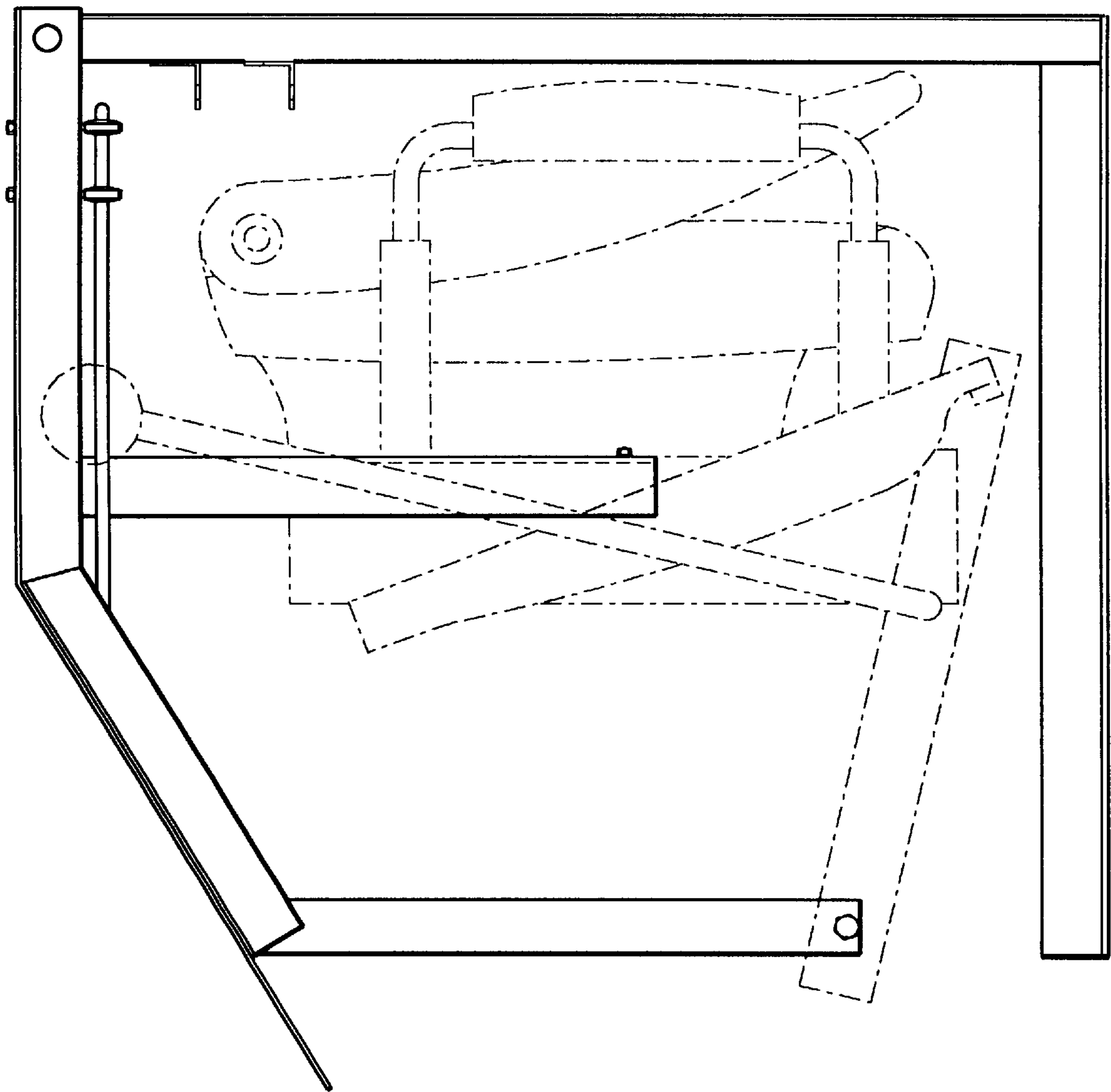


Fig. 5

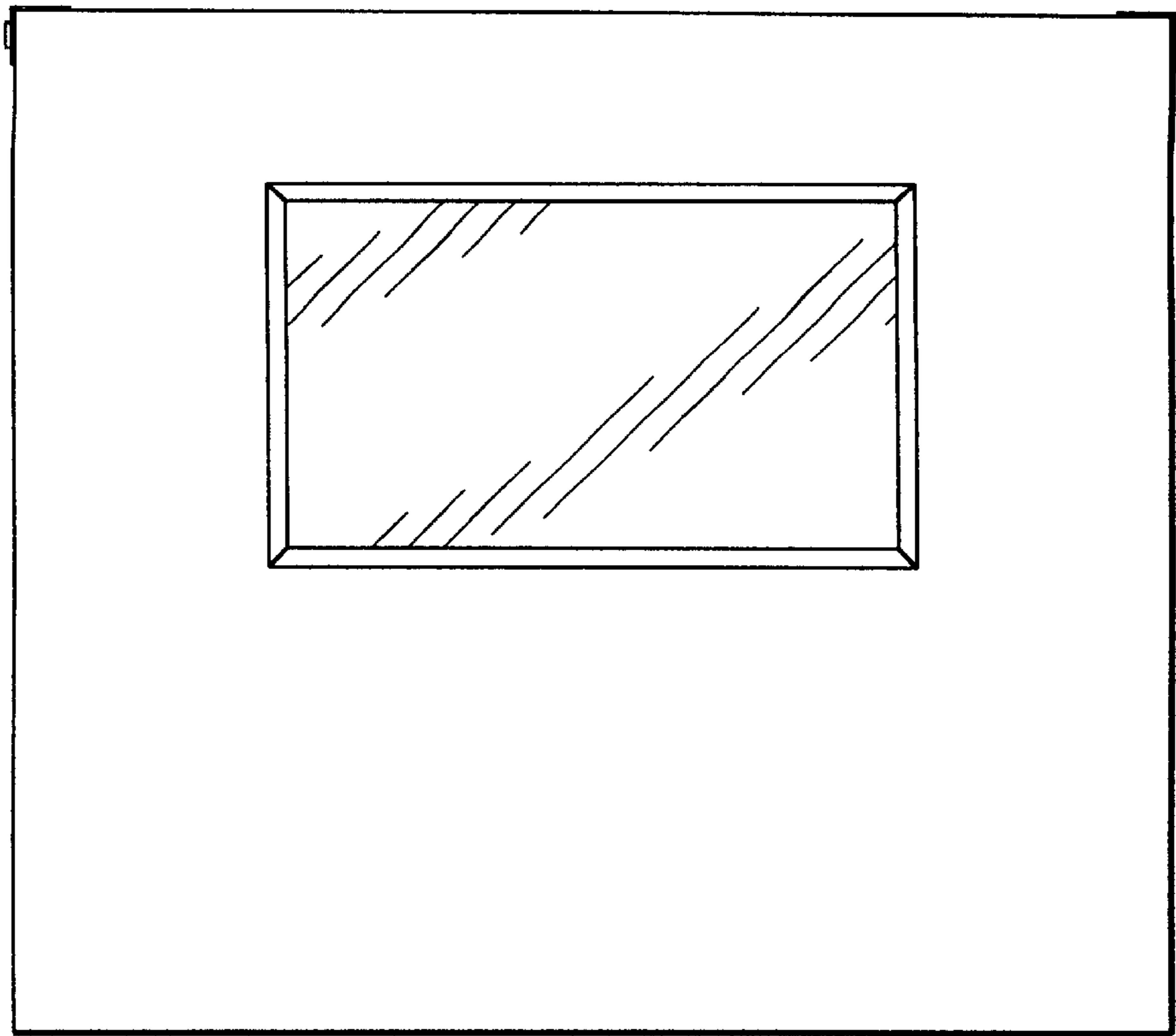


Fig. 7

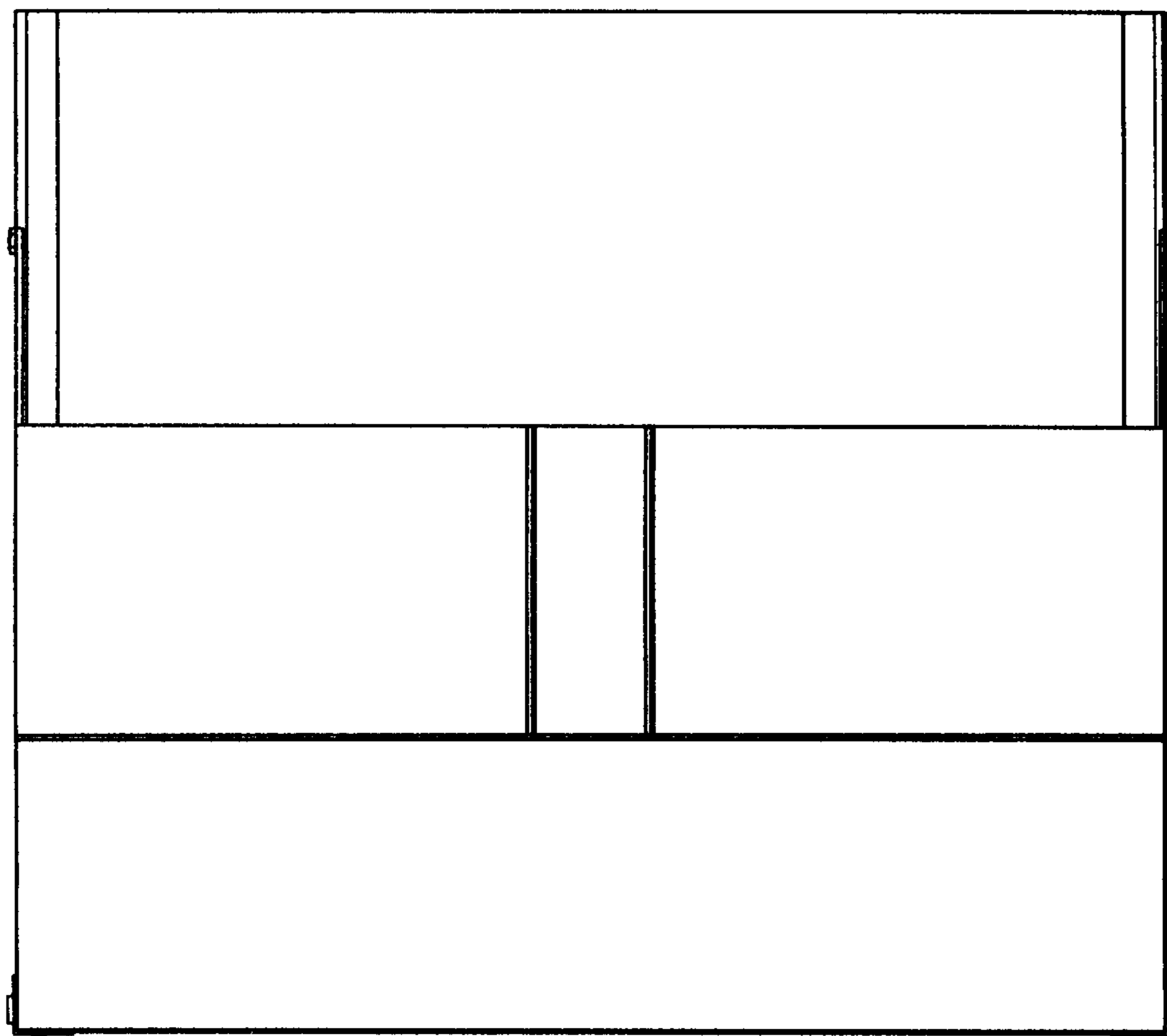


Fig. 6

