



US00D449415B1

(12) **United States Design Patent**  
**Durieux**

(10) **Patent No.:** **US D449,415 S**

(45) **Date of Patent:** **\*\* Oct. 16, 2001**

(54) **HANDCART**

(75) Inventor: **Marianne Durieux**, Schipluiden (NL)

(73) Assignee: **Koster & Durieux Beheer B.V.** (NL)

(\*\*) Term: **14 Years**

(21) Appl. No.: **29/127,541**

(22) Filed: **Aug. 9, 2000**

(30) **Foreign Application Priority Data**

Feb. 10, 2000 (BX) ..... 76759-00

(51) **LOC (7) Cl.** ..... **12-02**

(52) **U.S. Cl.** ..... **D34/17; D34/12**

(58) **Field of Search** ..... **D34/12-27; 280/47.19, 280/47.24, 47.26, 652; D12/17, 19**

(56) **References Cited**

**U.S. PATENT DOCUMENTS**

- D. 322,915 \* 1/1992 Franklin ..... D7/606
- D. 339,440 \* 9/1993 Dick ..... D34/17
- D. 400,333 \* 10/1998 Westlake ..... D34/17

\* cited by examiner

*Primary Examiner*—Kay H. Chin

(74) *Attorney, Agent, or Firm*—Diller, Ramik & Wight

(57) **CLAIM**

The ornamental design for a handcart, as shown and described.

**DESCRIPTION**

FIG. 1 is a front perspective view of a hand cart showing my new design;

FIG. 2 is a rear elevational view thereof;

FIG. 3 is a side elevational view thereof;

FIG. 4 is a top plan view thereof;

FIG. 5 is a front perspective view of the hand cart in different condition, the broken lines are for illustrative purposes only and form no part of the claimed design;

FIG. 6 is a rear elevational view of FIG. 5;

FIG. 7 is a side elevational view of FIG. 5;

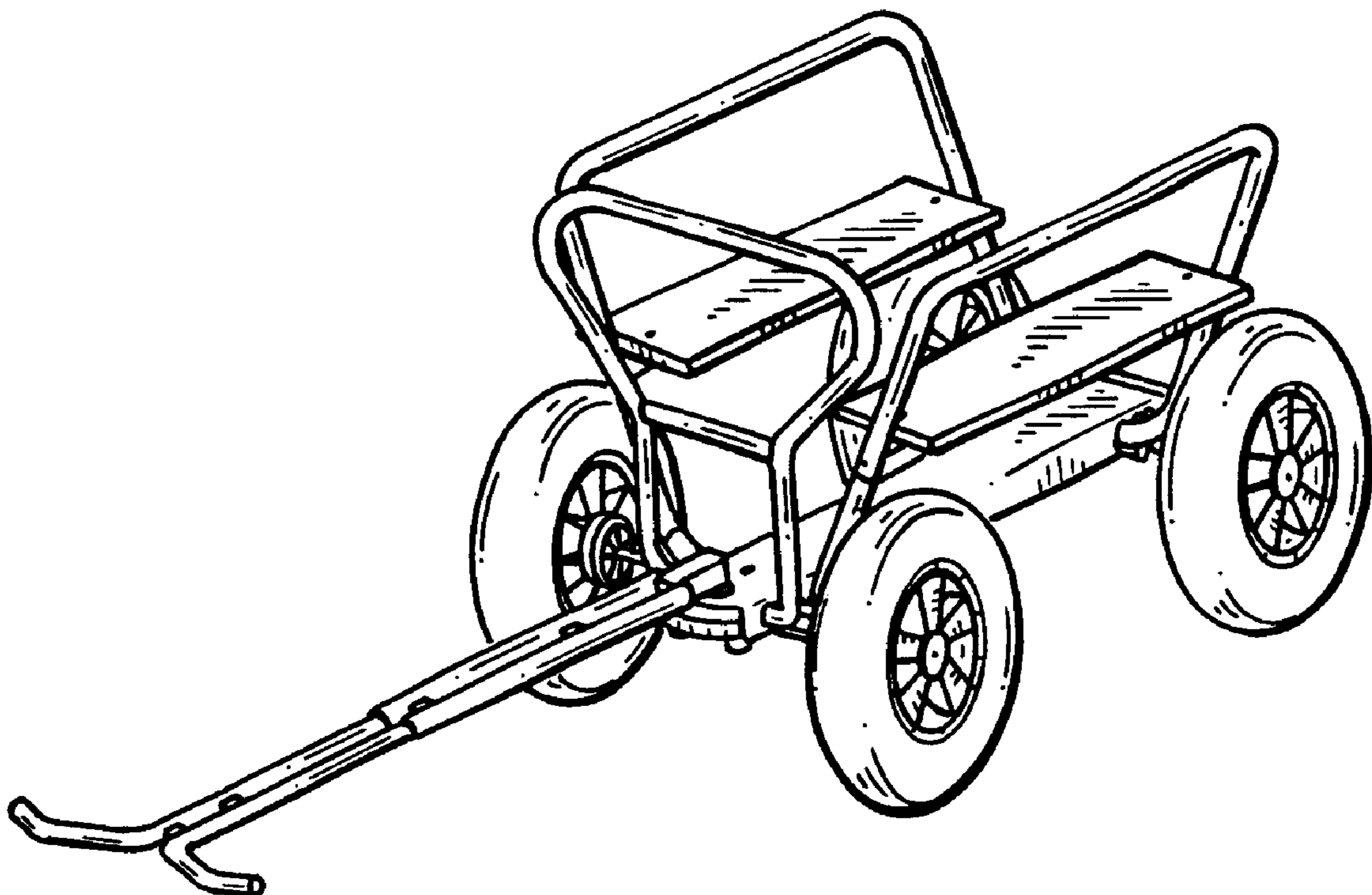
FIG. 8 is a top plan view of FIG. 5;

FIG. 9 is a front perspective view of the hand cart in another condition, the broken lines are for illustrative purposes only and form no part of the claimed design;

FIG. 10 is a side elevational view of FIG. 9; and,

FIG. 11 is a top plan view of FIG. 9.

**1 Claim, 3 Drawing Sheets**



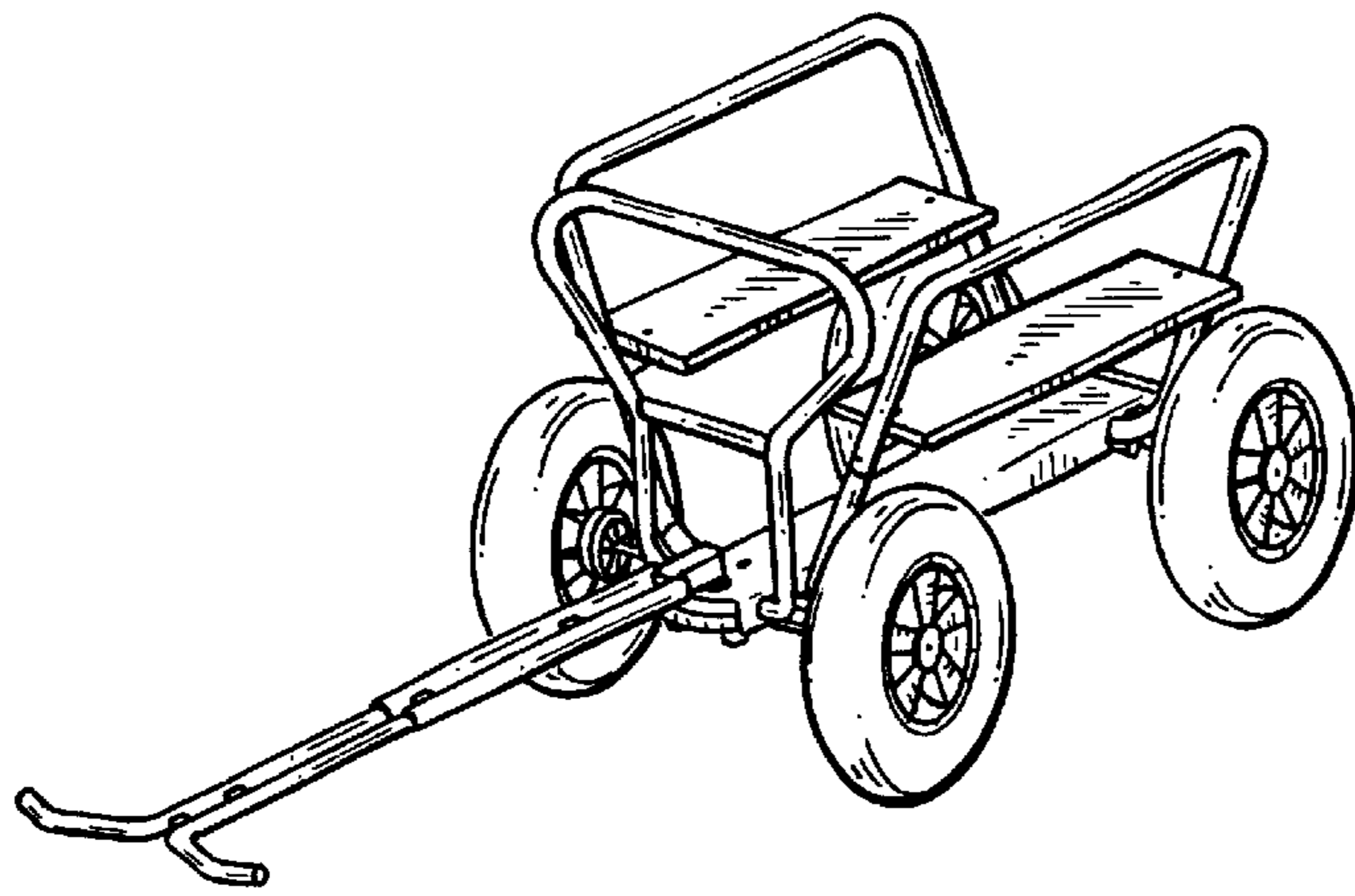


FIG. 1

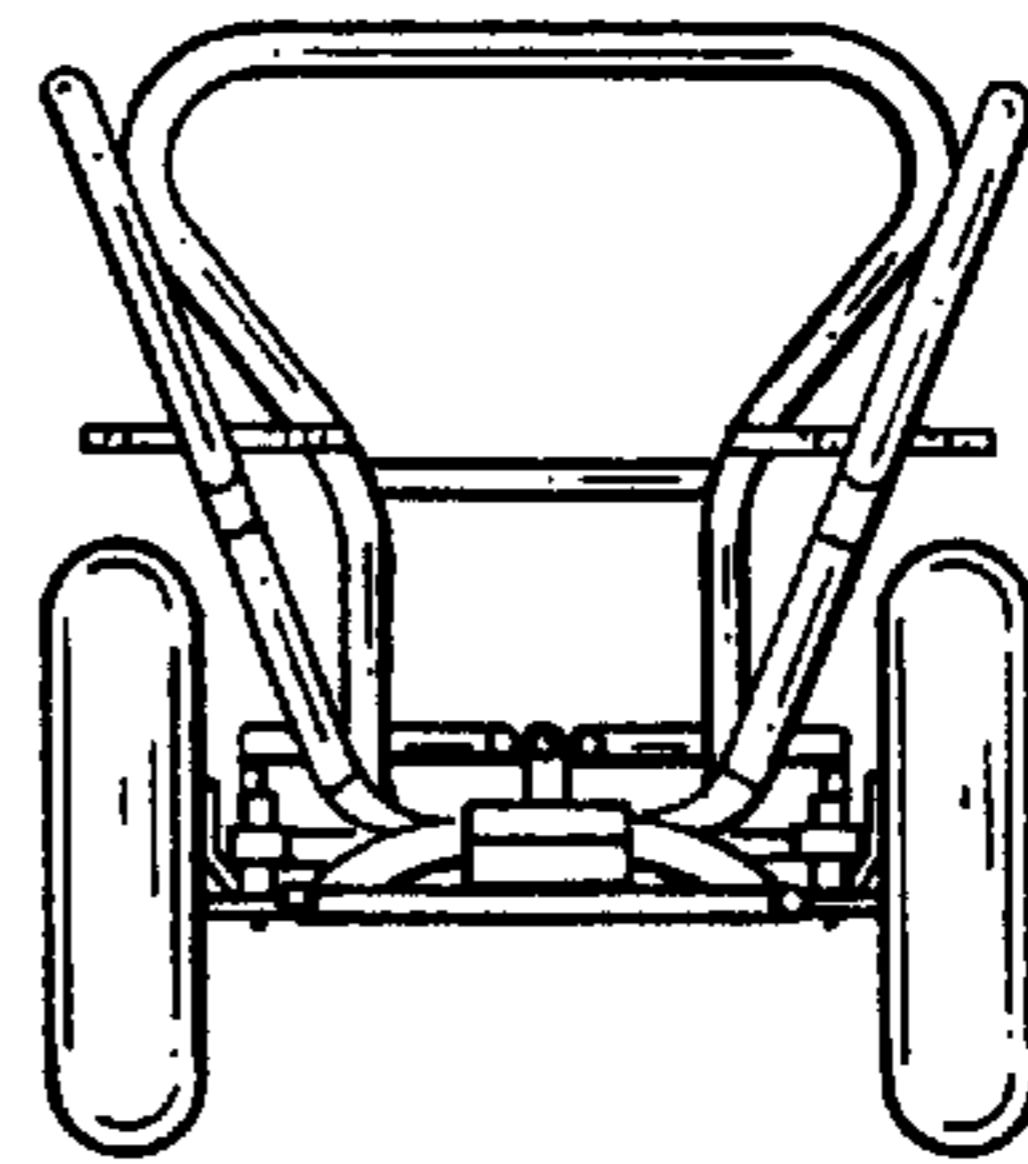


FIG. 2

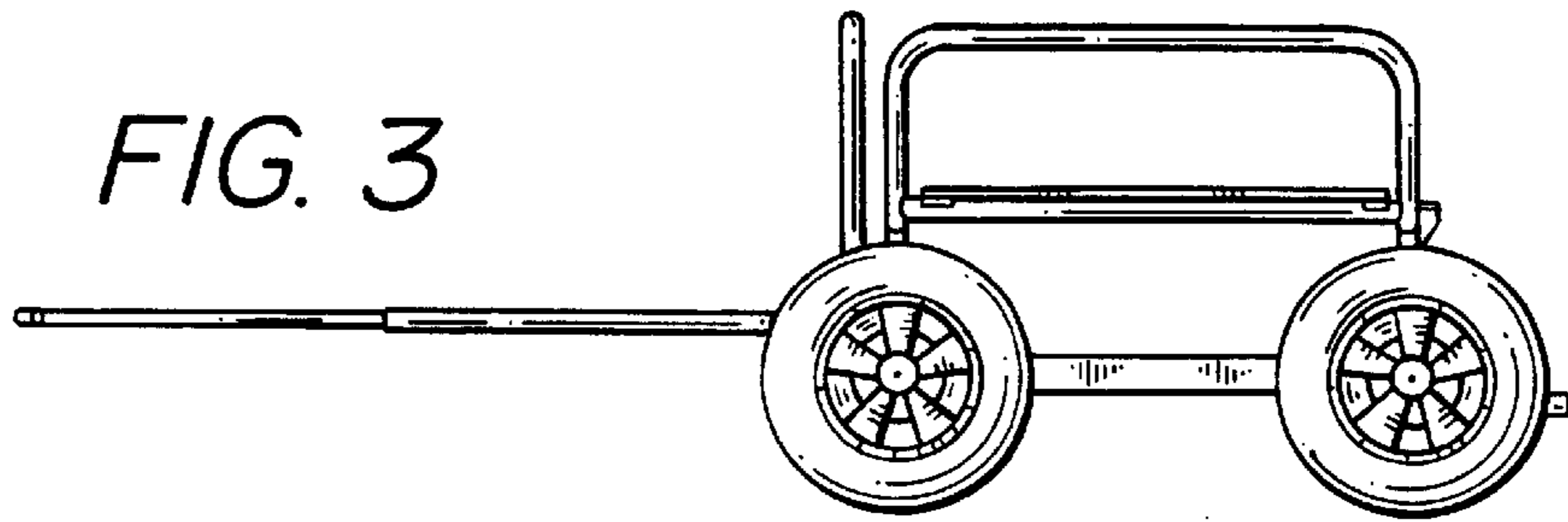


FIG. 3

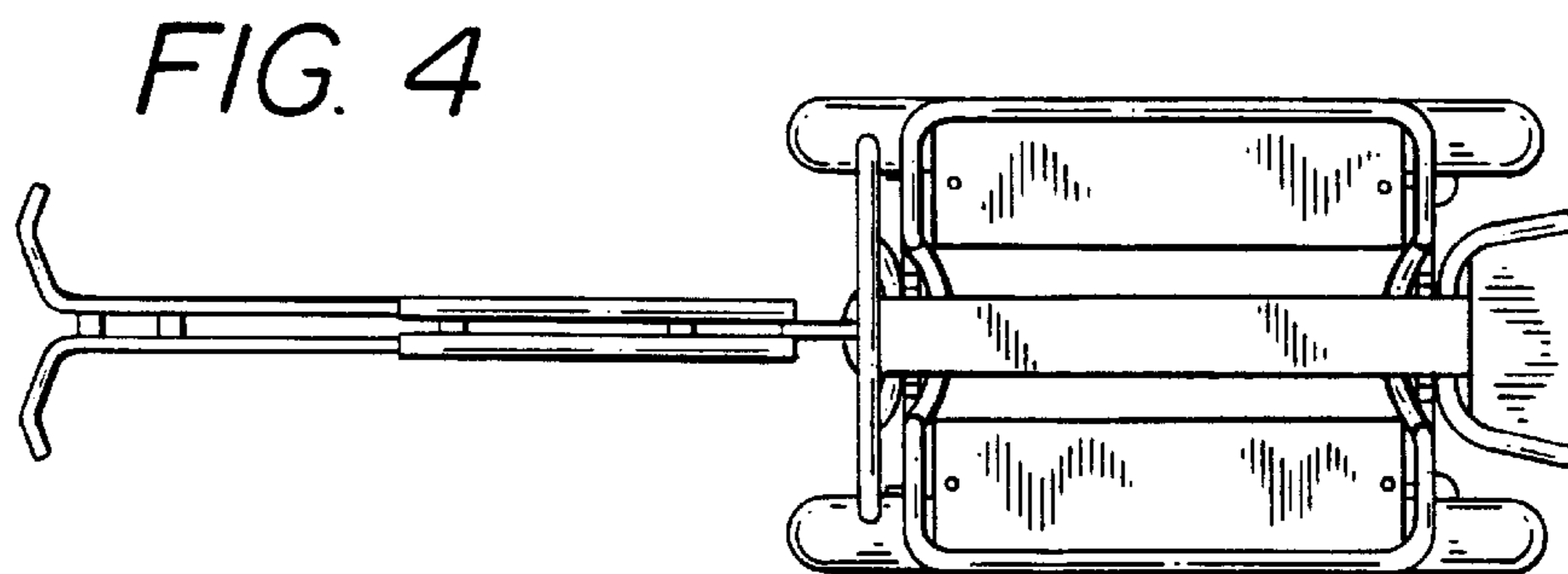


FIG. 4

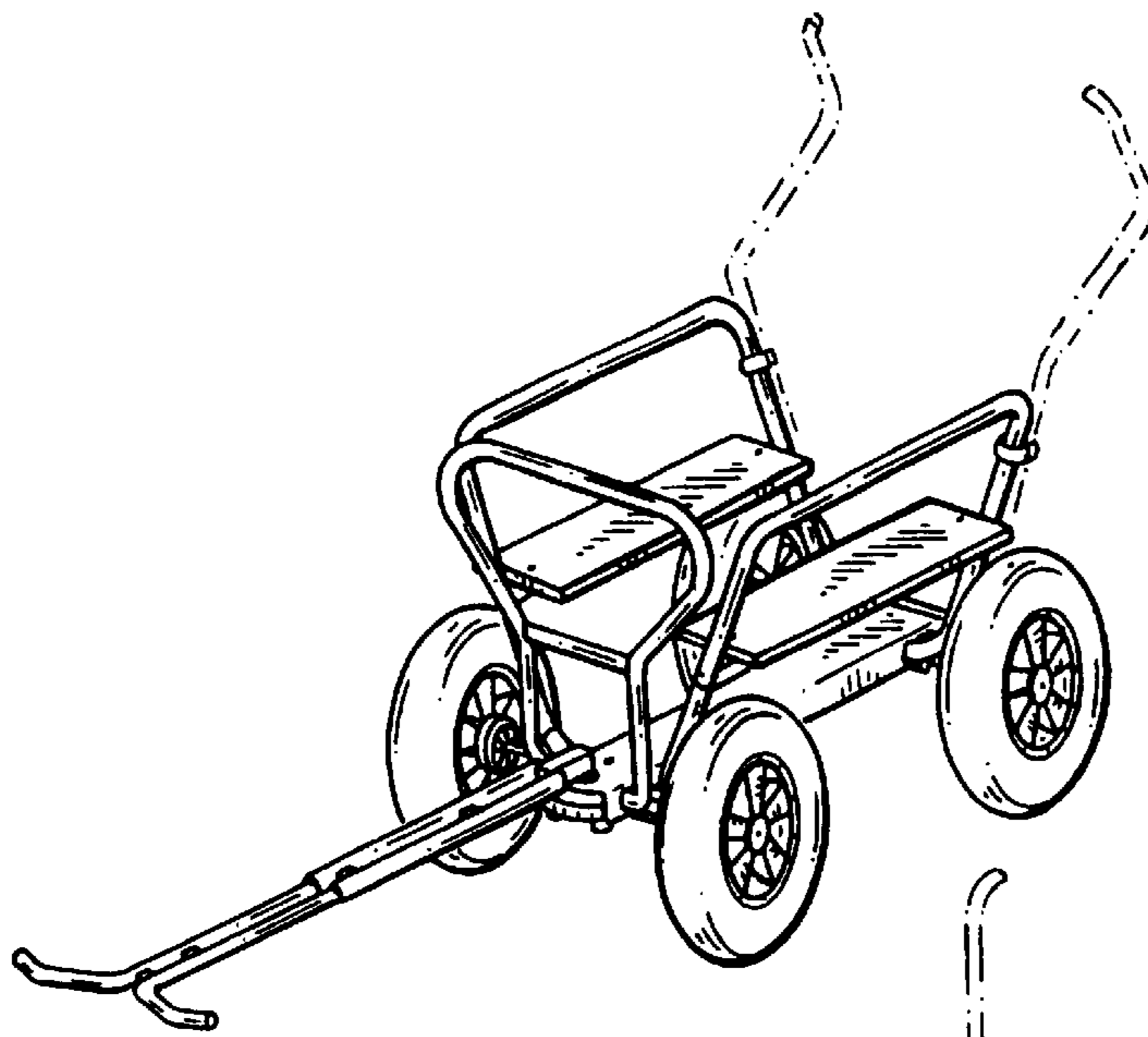


FIG. 5

FIG. 6

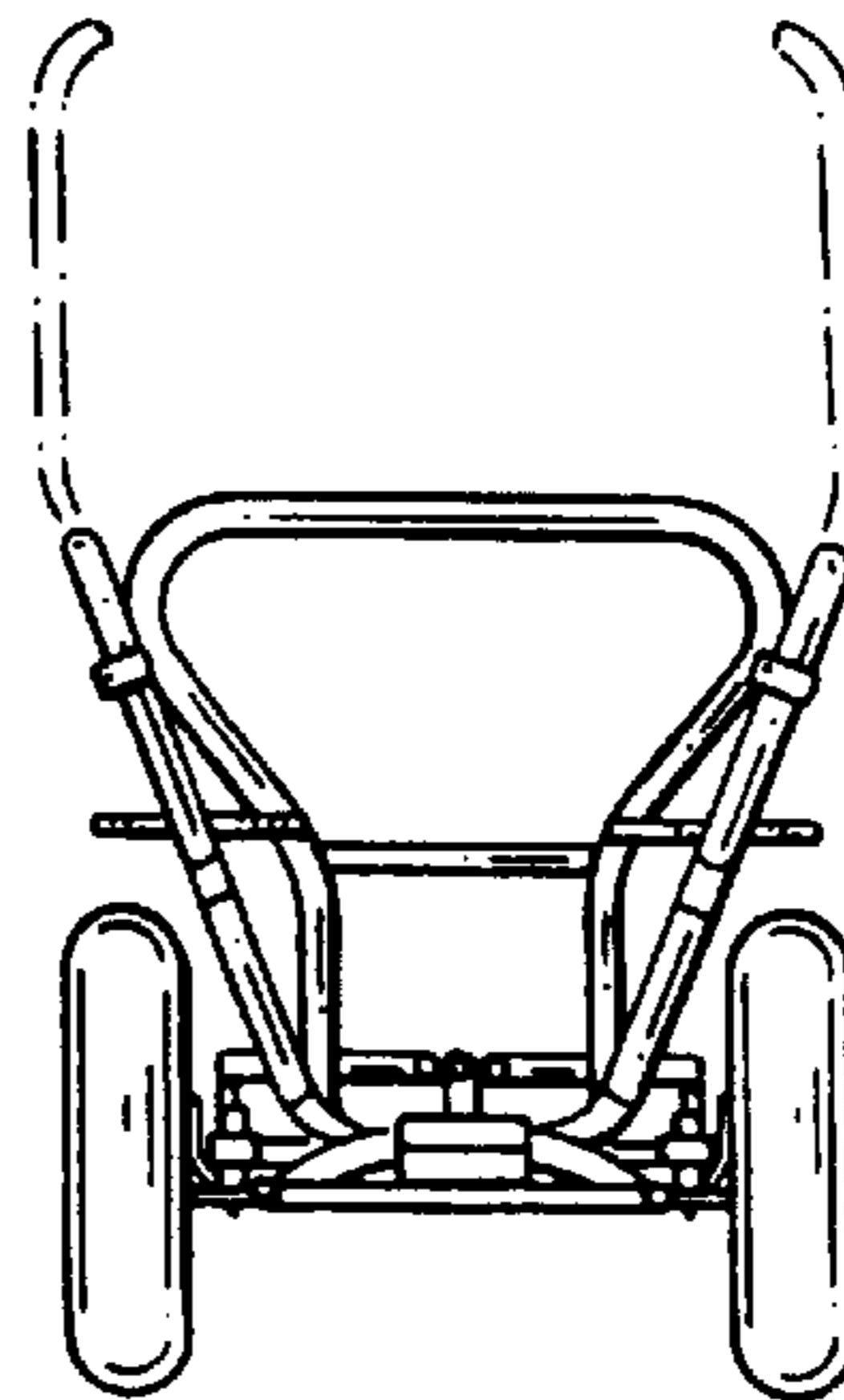


FIG. 7

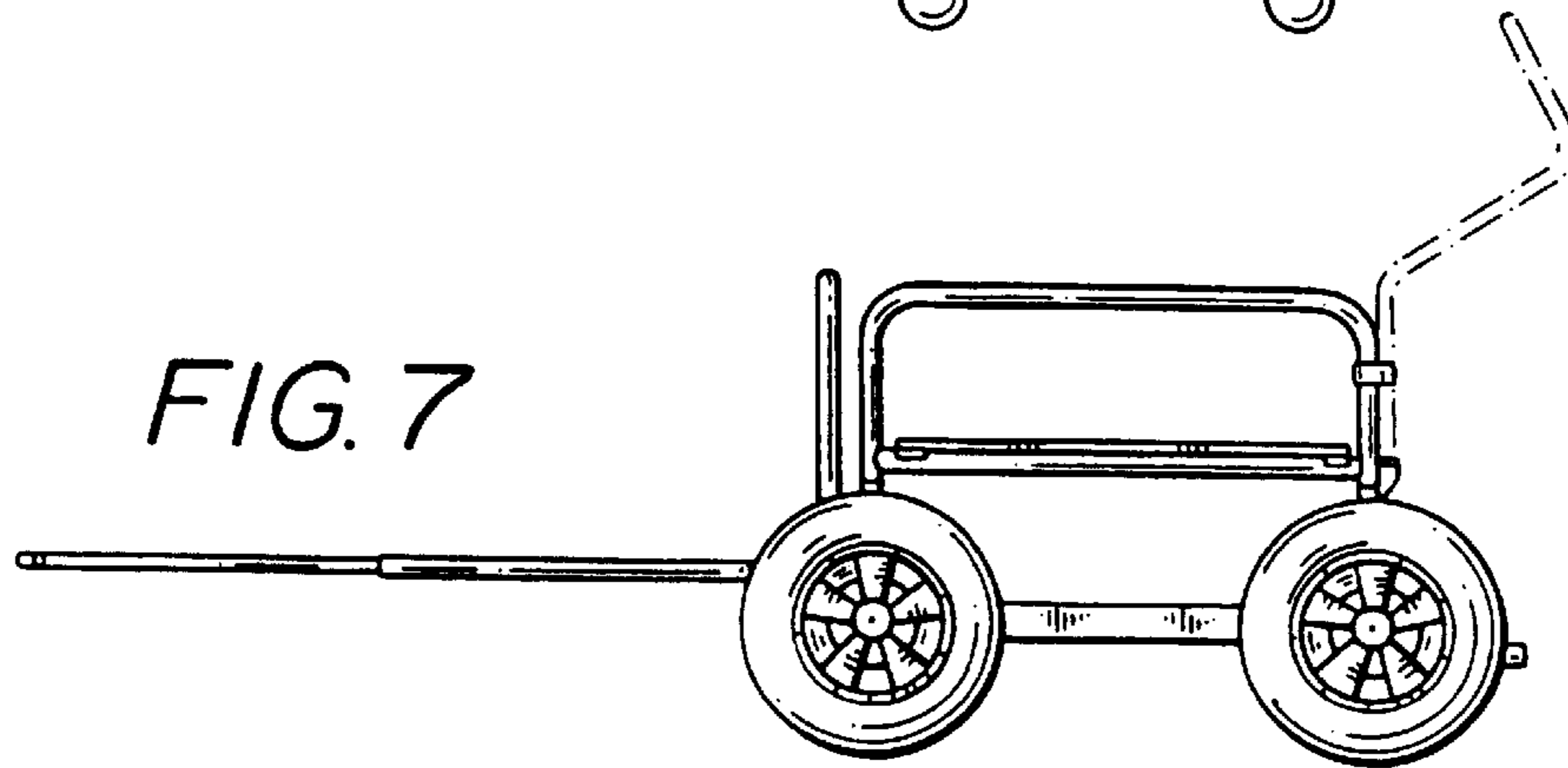
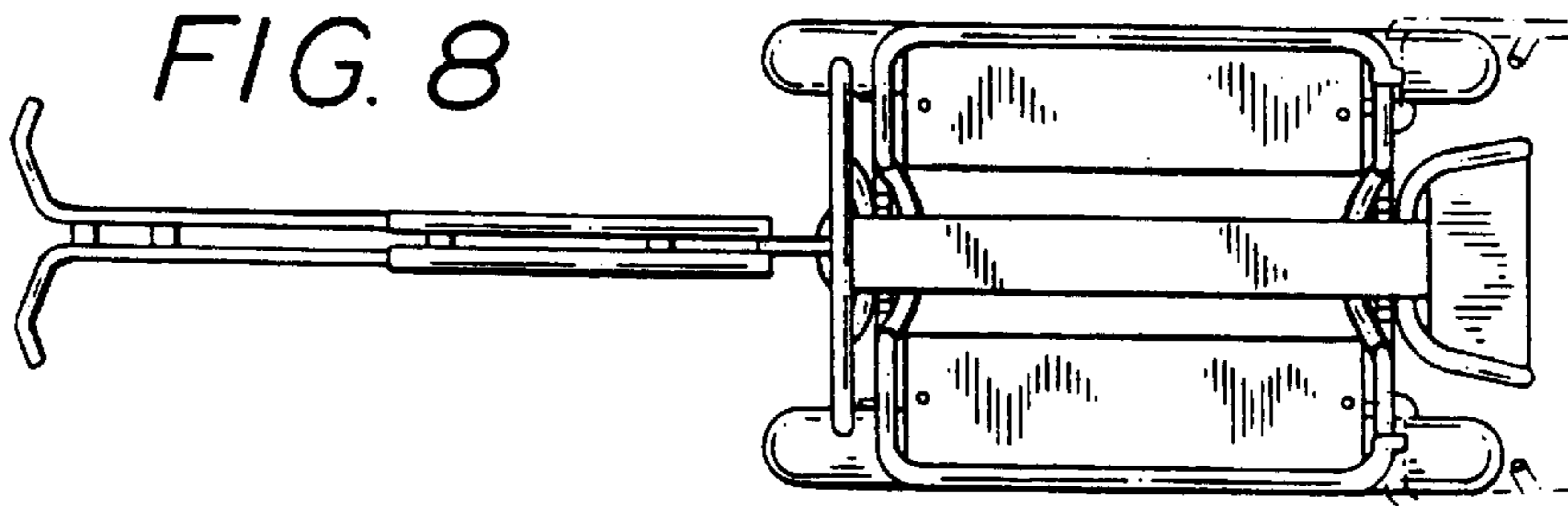


FIG. 8



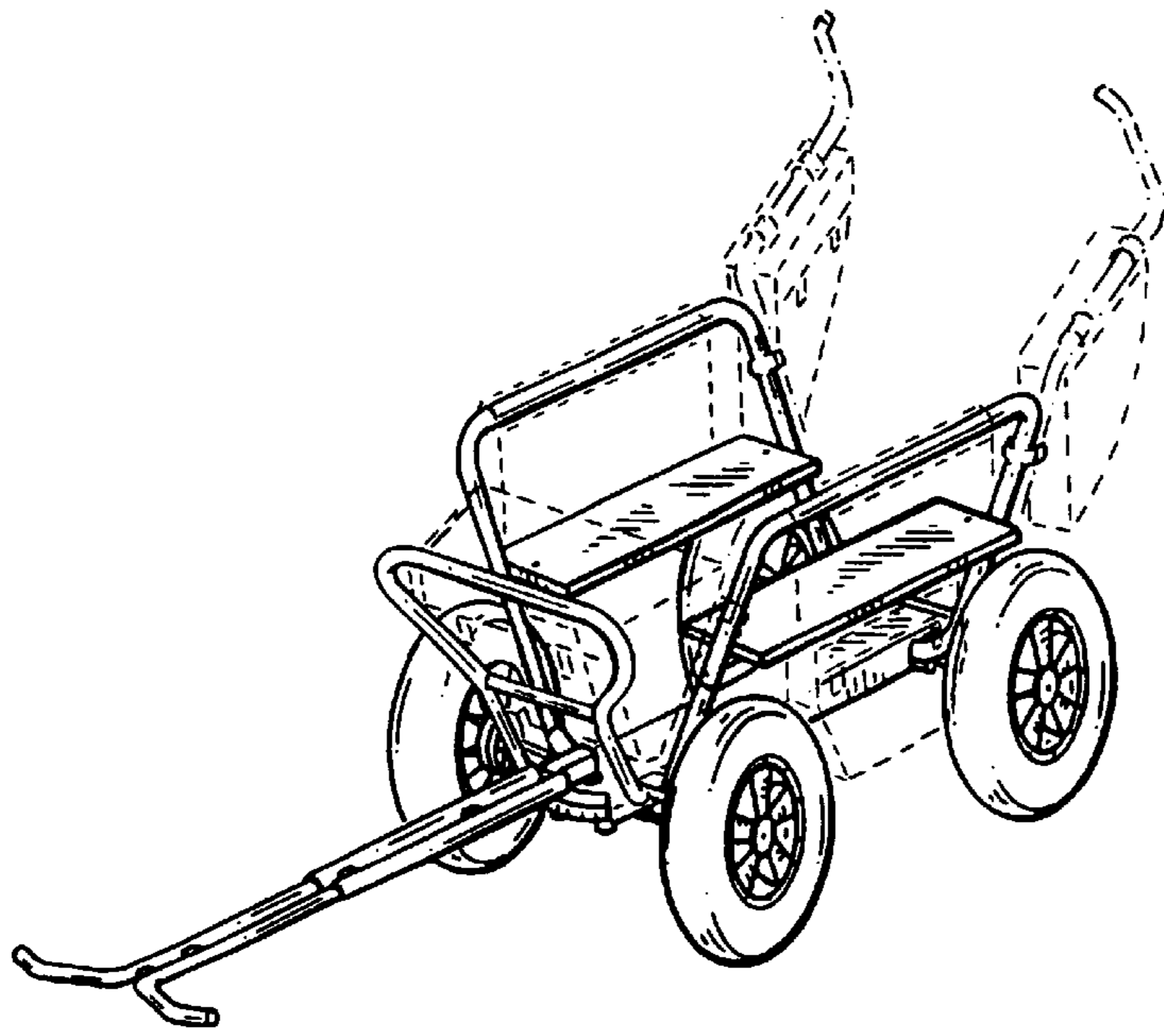


FIG. 9

FIG. 10

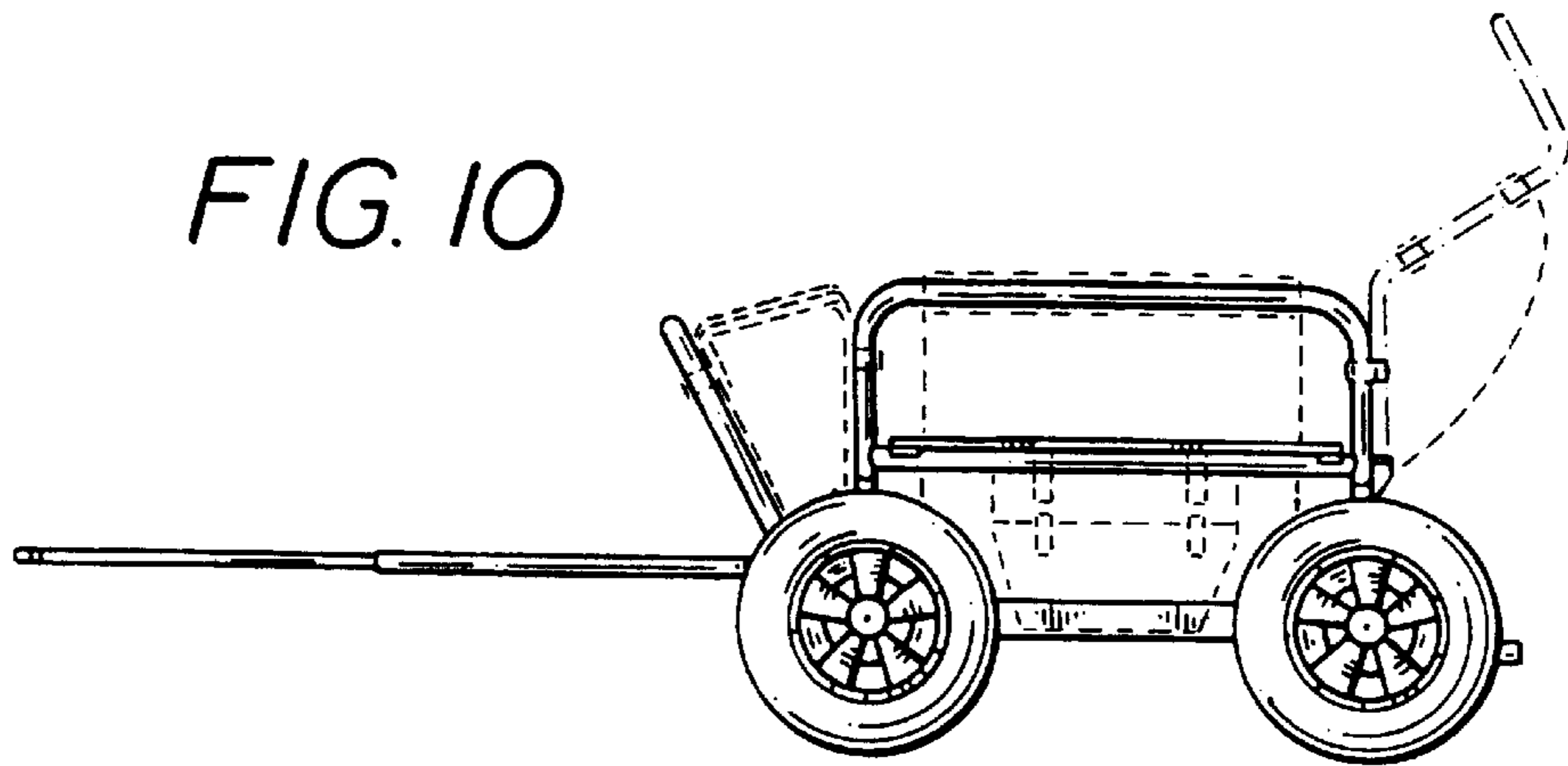


FIG. 11

