



US00D449414B1

(12) **United States Design Patent**
James et al.

(10) **Patent No.:** **US D449,414 S**

(45) **Date of Patent:** **** Oct. 16, 2001**

(54) **STORAGE RACK FOR STONEWARE**

(75) Inventors: **Kenneth R. James; Karen James**, both of Sedro Woolley, WA (US)

(73) Assignee: **The Pampered Chef, Ltd.**, Addison, IL (US)

(**) Term: **14 Years**

(21) Appl. No.: **29/134,144**

(22) Filed: **Dec. 14, 2000**

(51) **LOC (7) Cl.** **07-05**

(52) **U.S. Cl.** **D32/55**

(58) **Field of Search** D32/58, 55-6;
211/41.3, 85.25; 34/104; D7/601, 701;
220/572, 487

(56) **References Cited**

U.S. PATENT DOCUMENTS

- D. 243,313 * 2/1977 Varnado D32/58
- D. 322,343 * 12/1991 Percy D32/58

(List continued on next page.)

Primary Examiner—Robin V. Taylor

(74) *Attorney, Agent, or Firm*—Olson & Hierl, Ltd.

(57) **CLAIM**

The ornamental design for a storage rack for stoneware, as shown and described.

DESCRIPTION

FIG. 1 is a perspective view of a first embodiment of the inventive design for a storage rack for stoneware;
 FIG. 2 is a top plan view of the design of FIG. 1;
 FIG. 3 is a bottom plan view of the design of FIG. 1;
 FIG. 4 is a side elevational view of the design of FIG. 1;
 FIG. 5 is an end elevational view of the design of FIG. 1;
 FIG. 6 is a perspective view of a second embodiment of the inventive design for a storage rack for stoneware;
 FIG. 7 is a top plan view of the design of FIG. 6;
 FIG. 8 is a bottom plan view of the design for FIG. 6;
 FIG. 9 is a side elevational view of the design of FIG. 6;
 FIG. 10 is an end elevational view of the design of FIG. 6;

FIG. 11 is an opposite end elevational view of the design of FIG. 6;
 FIG. 12 is a perspective view of a third embodiment of the inventive design for a storage rack for stoneware;
 FIG. 13 is a top plan view of the design of FIG. 12;
 FIG. 14 is a bottom plan view of the design of FIG. 12;
 FIG. 15 is a side elevational view of the design of FIG. 12;
 FIG. 16 is an end elevational view of the design of FIG. 12;
 FIG. 17 is a perspective view of a fourth embodiment of the inventive design for a storage rack for stoneware;
 FIG. 18 is a top plan view of the design of FIG. 17;
 FIG. 19 is a bottom plan view of the design of FIG. 17;
 FIG. 20 is a side elevational view of the design of FIG. 17;
 FIG. 21 is an end elevational view of the design of FIG. 17;
 FIG. 22 is an opposite end elevational view of the design of FIG. 17;
 FIG. 23 is a perspective view of a fifth embodiment of the inventive design for a storage rack for stoneware;
 FIG. 24 is a top plan view of the design of FIG. 23;
 FIG. 25 is a bottom plan view of the design of FIG. 23;
 FIG. 26 is a side elevational view of the design of FIG. 23;
 FIG. 27 is an end elevational view of the design of FIG. 23;
 FIG. 28 is a perspective view of a sixth embodiment of the inventive design for a storage rack for stoneware;
 FIG. 29 is a top plan view of the design of FIG. 28;
 FIG. 30 is a bottom plan view of the design of FIG. 28 ;
 FIG. 31 is a side elevational view of the design of FIG. 28;
 FIG. 32 is an end elevational view of the design of FIG. 28;
 FIG. 33 is an opposite end elevational view of the design of FIG. 28;
 FIG. 34 is a perspective view of a seventh embodiment of the inventive design for a storage rack for stoneware;
 FIG. 35 is a top plan view of the design of FIG. 34;
 FIG. 36 is a bottom plan view of the design of FIG. 34;
 FIG. 37 is a side elevational view of the design of FIG. 34;
 FIG. 38 is an end elevational view of the design of FIG. 34;
 FIG. 39 is a perspective view of a eighth embodiment of the inventive design for a storage rack for stoneware;
 FIG. 40 is a top plan view of the design of FIG. 39;
 FIG. 41 is a bottom plan view of the design of FIG. 39;
 FIG. 42 is a side elevational view of the design of FIG. 39;
 FIG. 43 is an end elevational view of the design of FIG. 39;
 and,
 FIG. 44 is an opposite end elevational view of the design of FIG. 39.

1 Claim, 16 Drawing Sheets

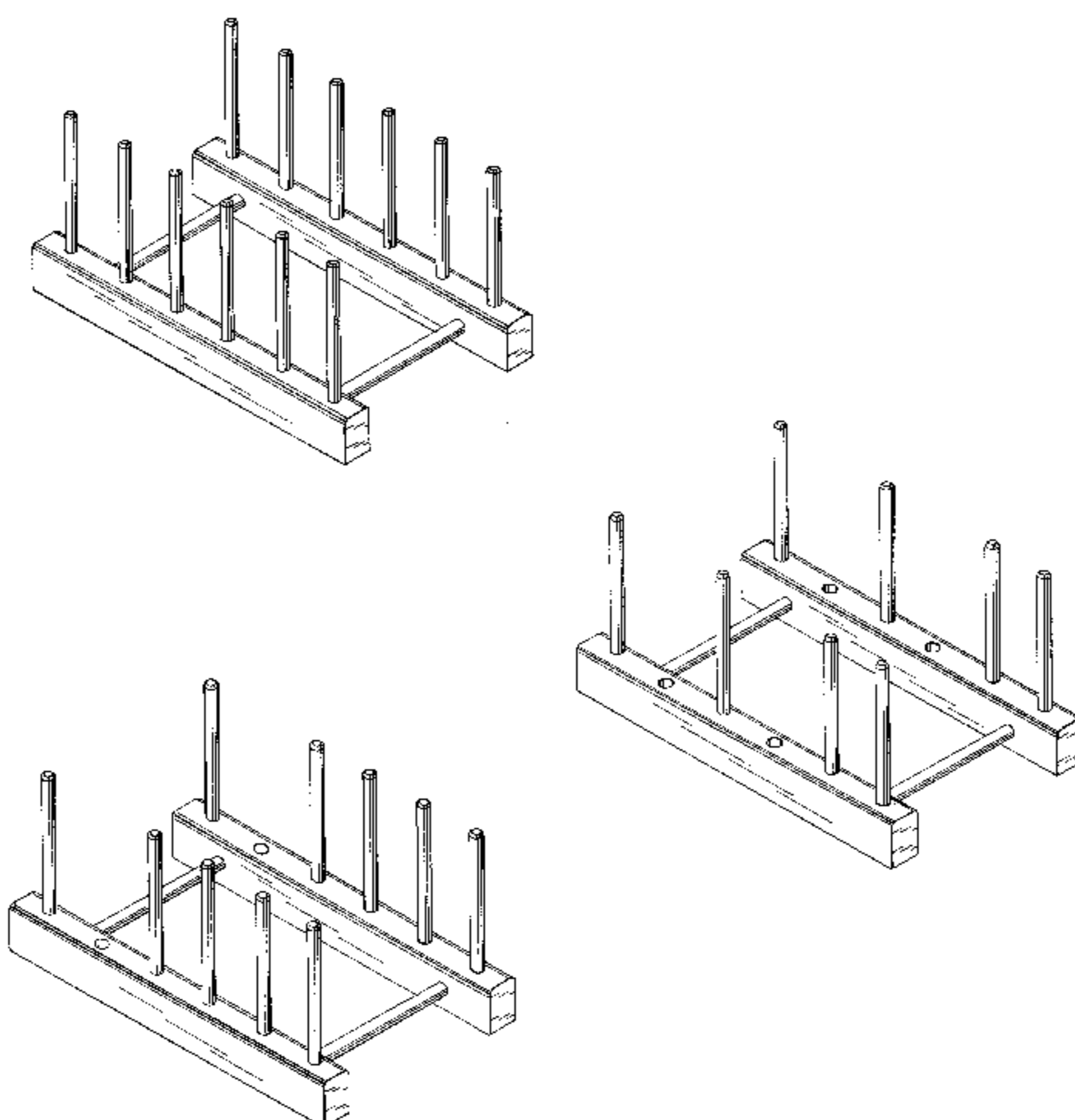


FIG. 1

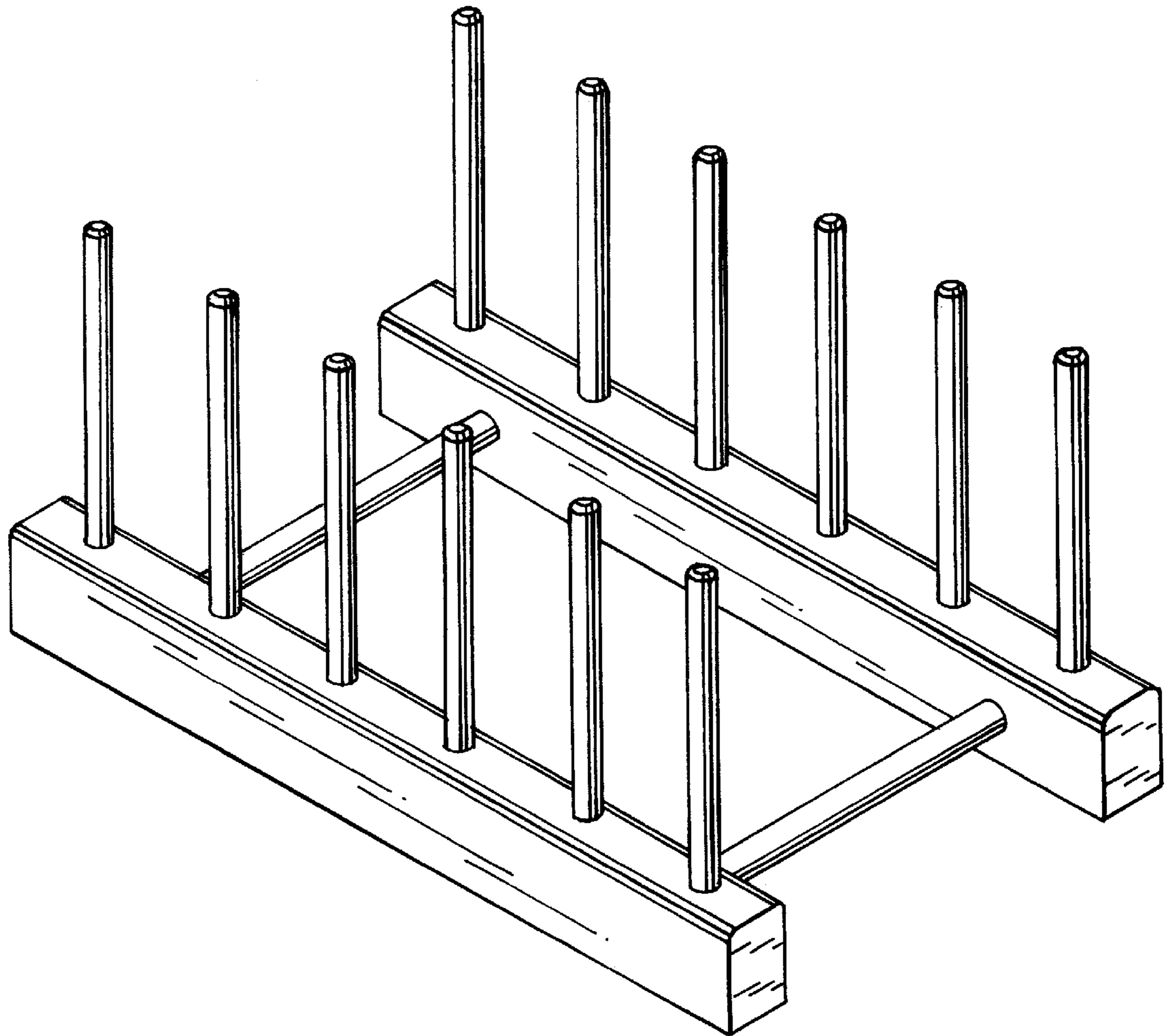


FIG. 2

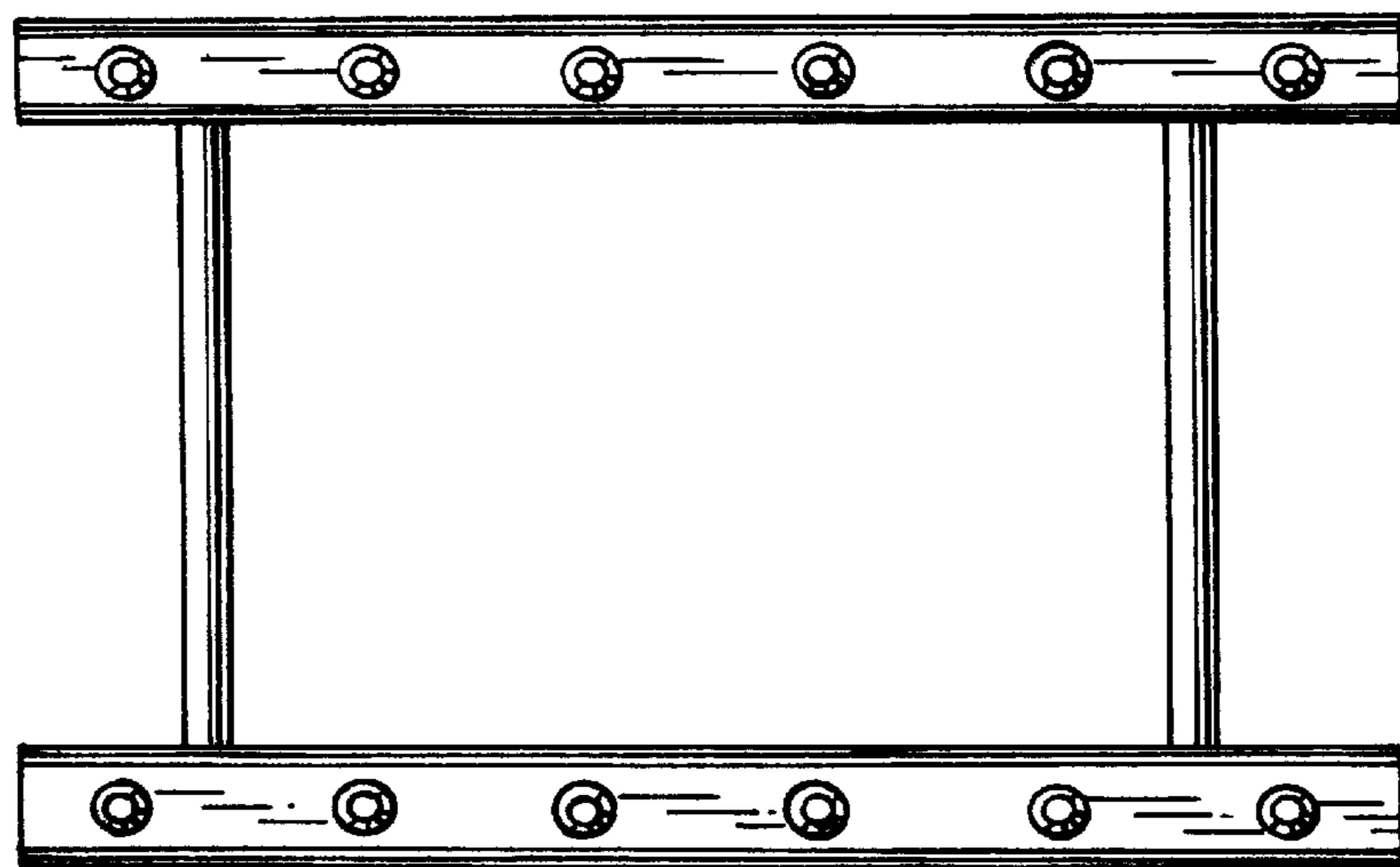


FIG. 3

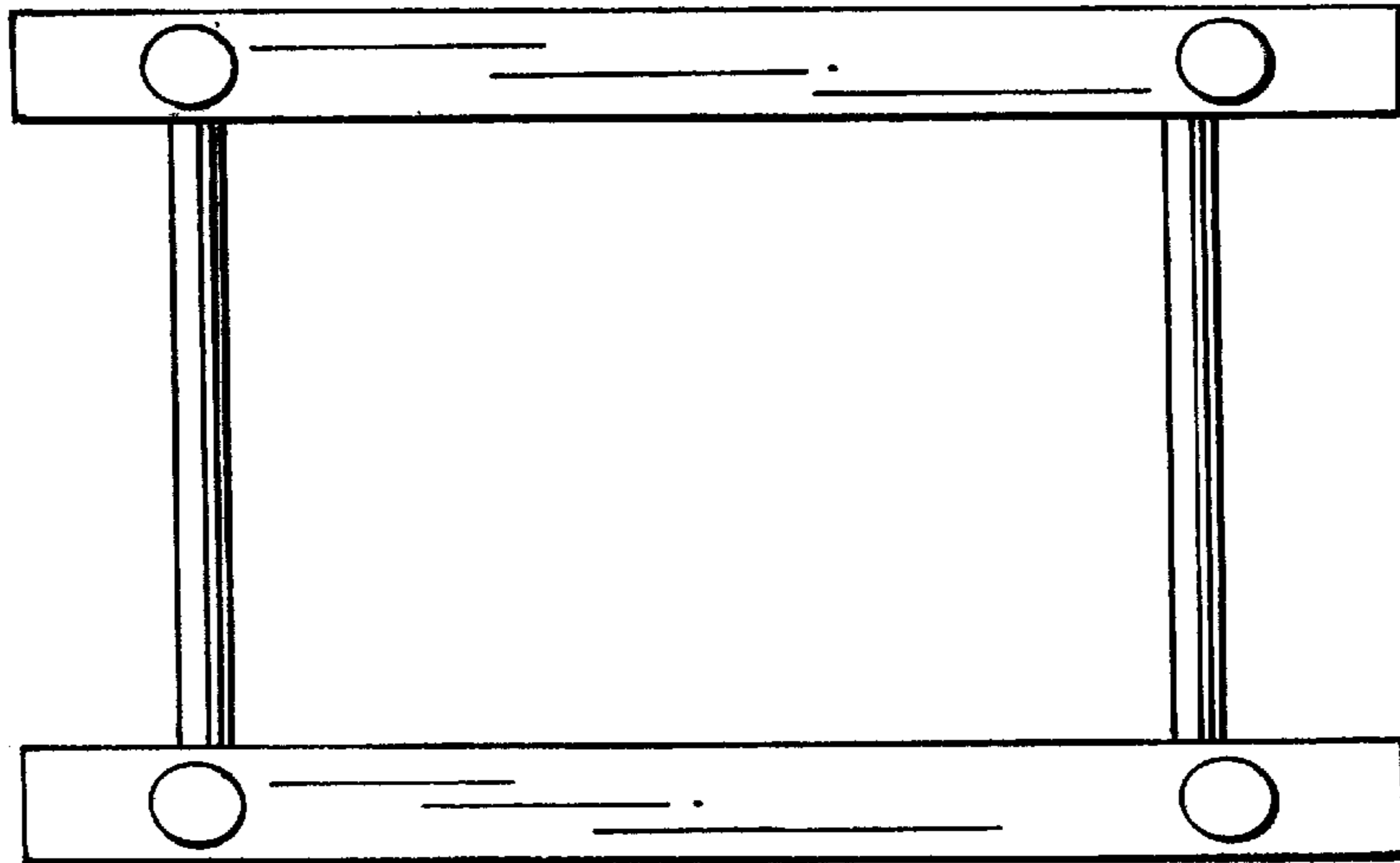


FIG. 4

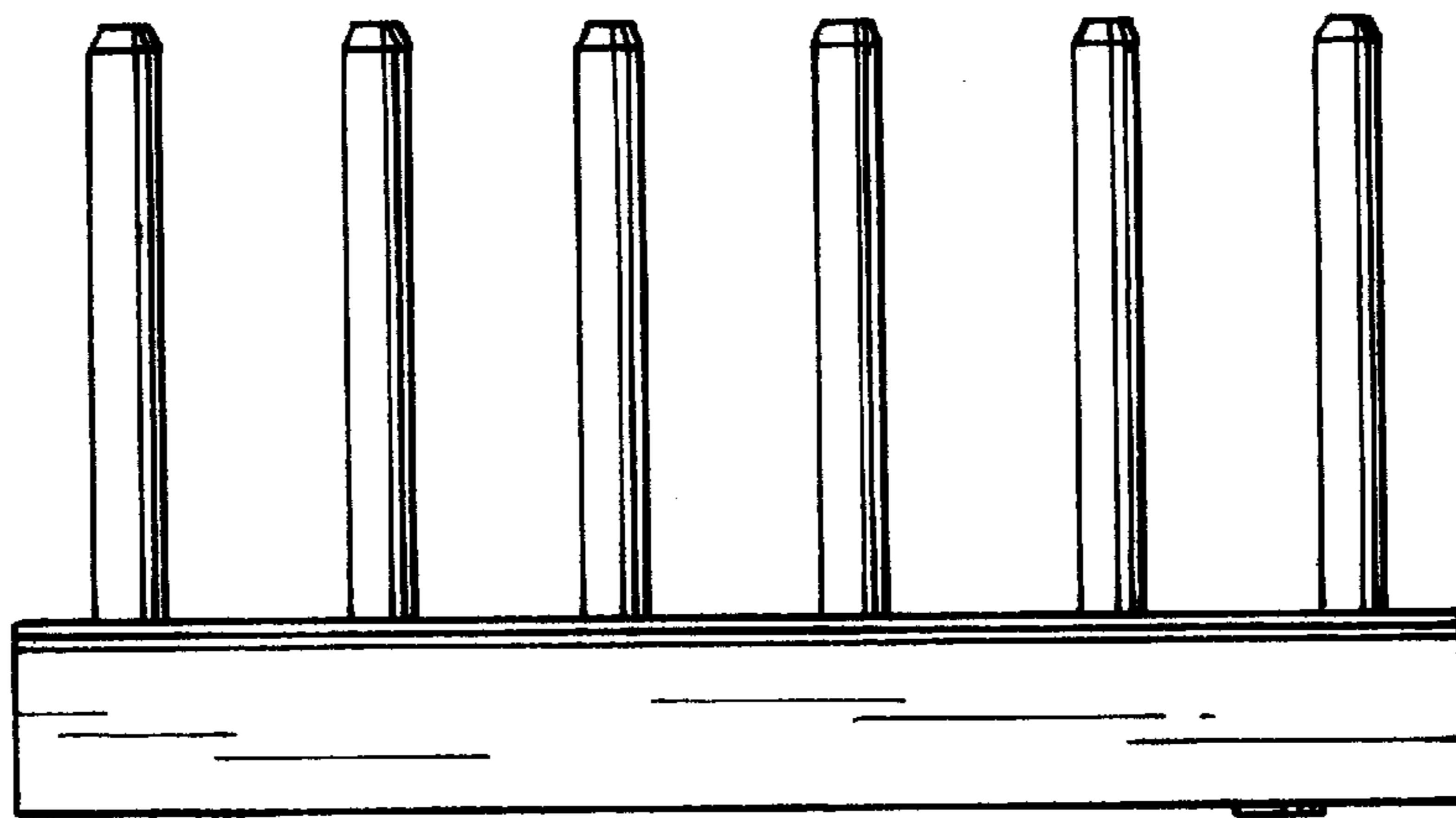


FIG. 5

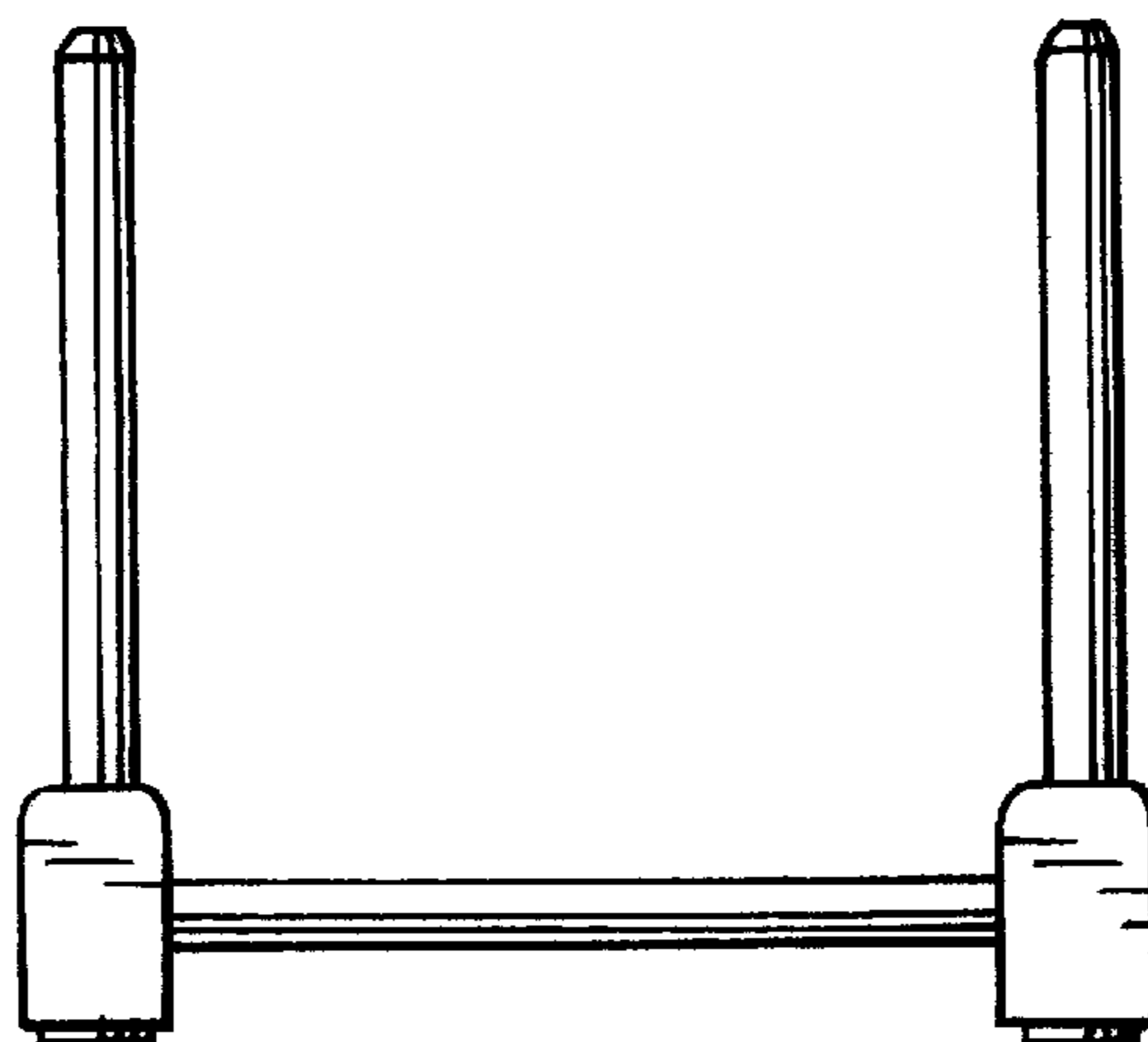


FIG. 6

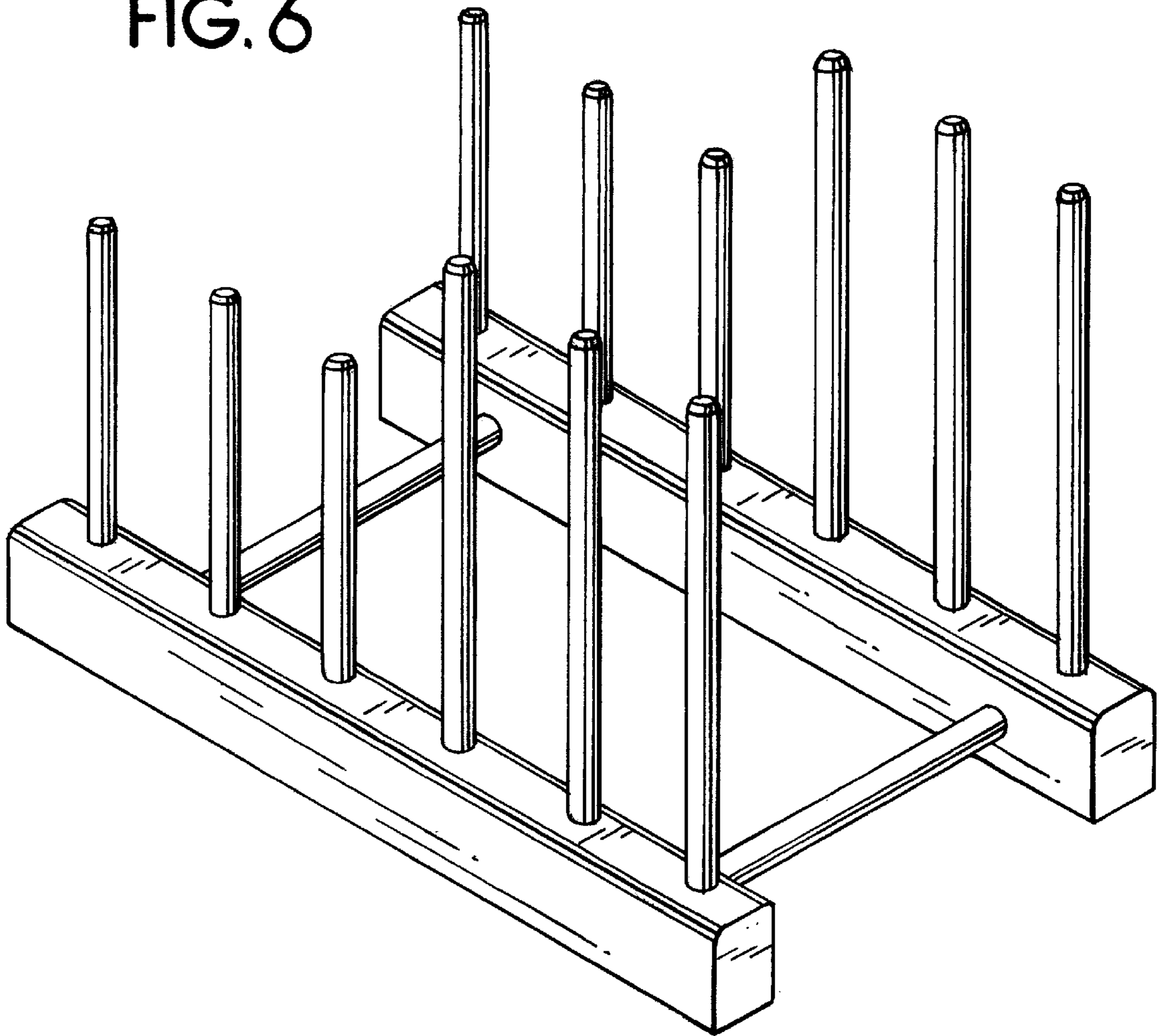


FIG. 7

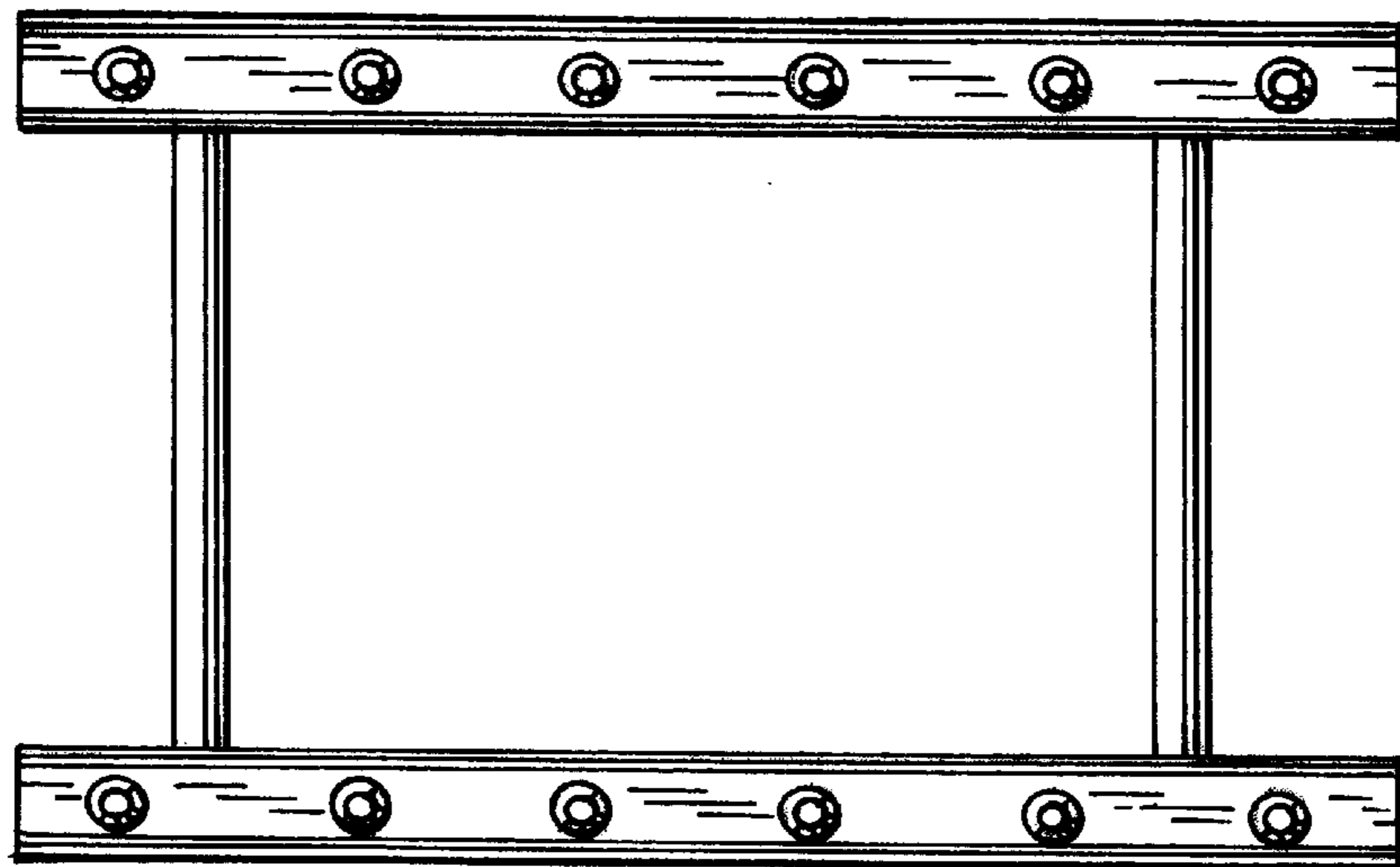


FIG. 8

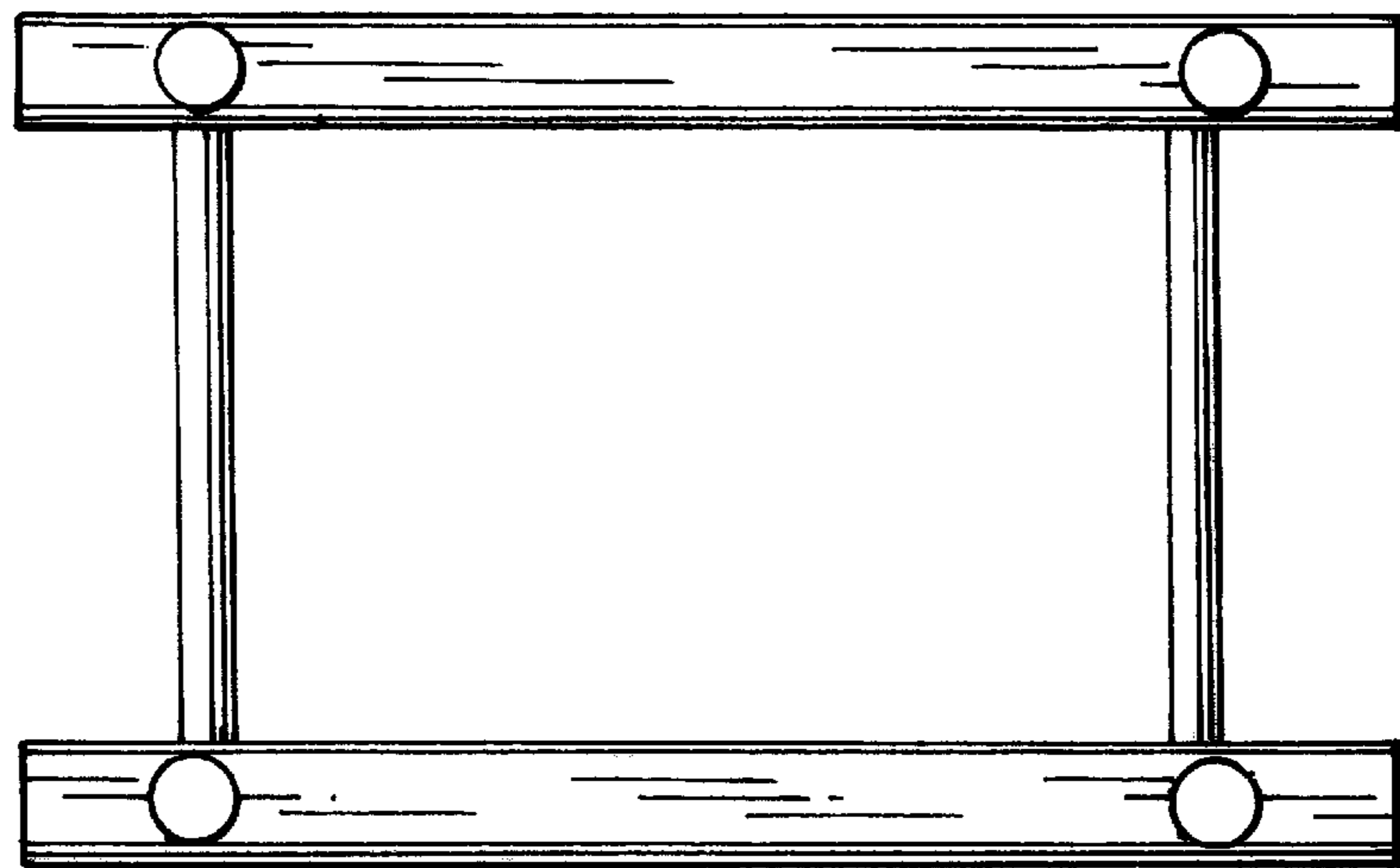


FIG. 9

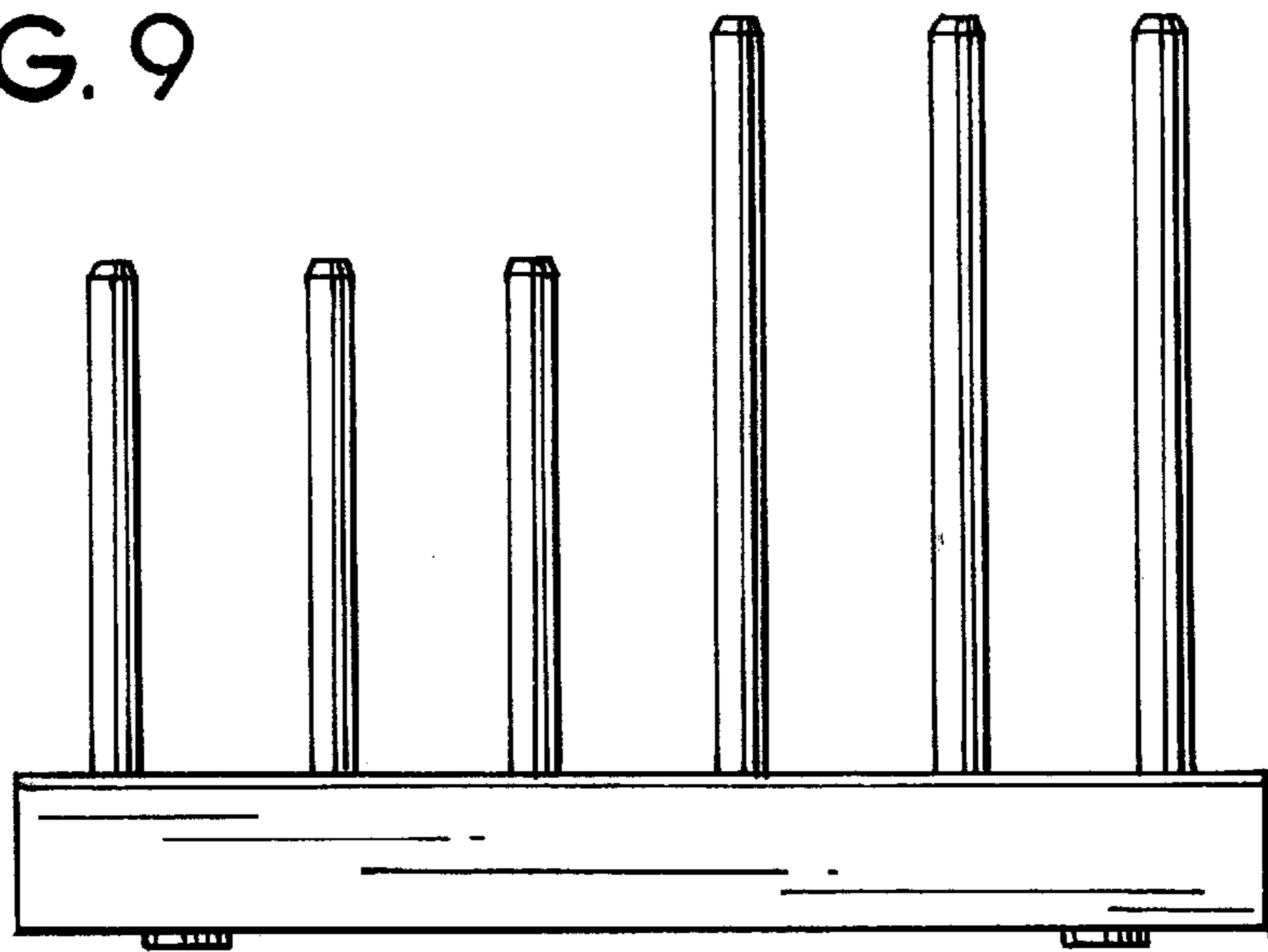


FIG. 10

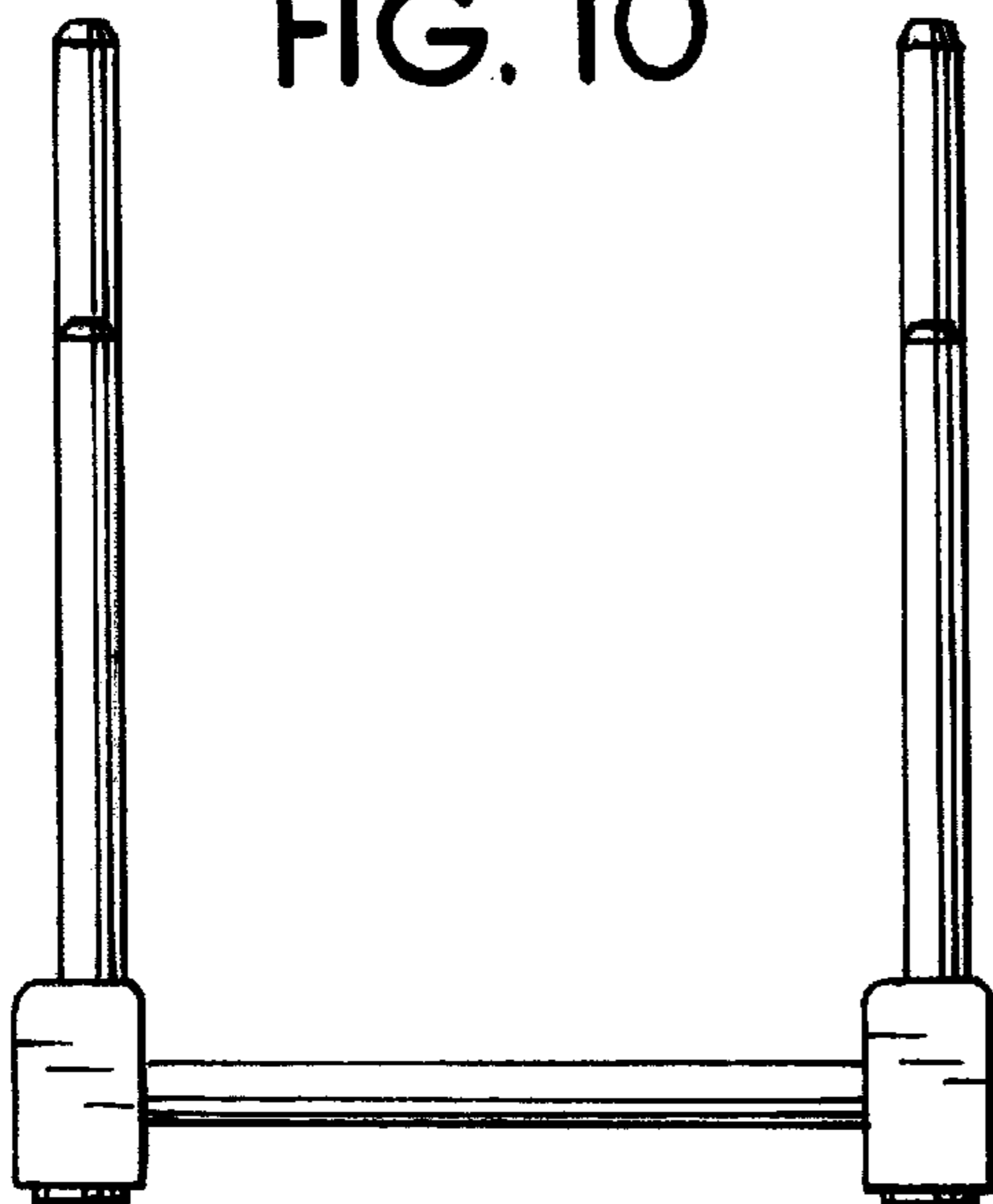


FIG. 11

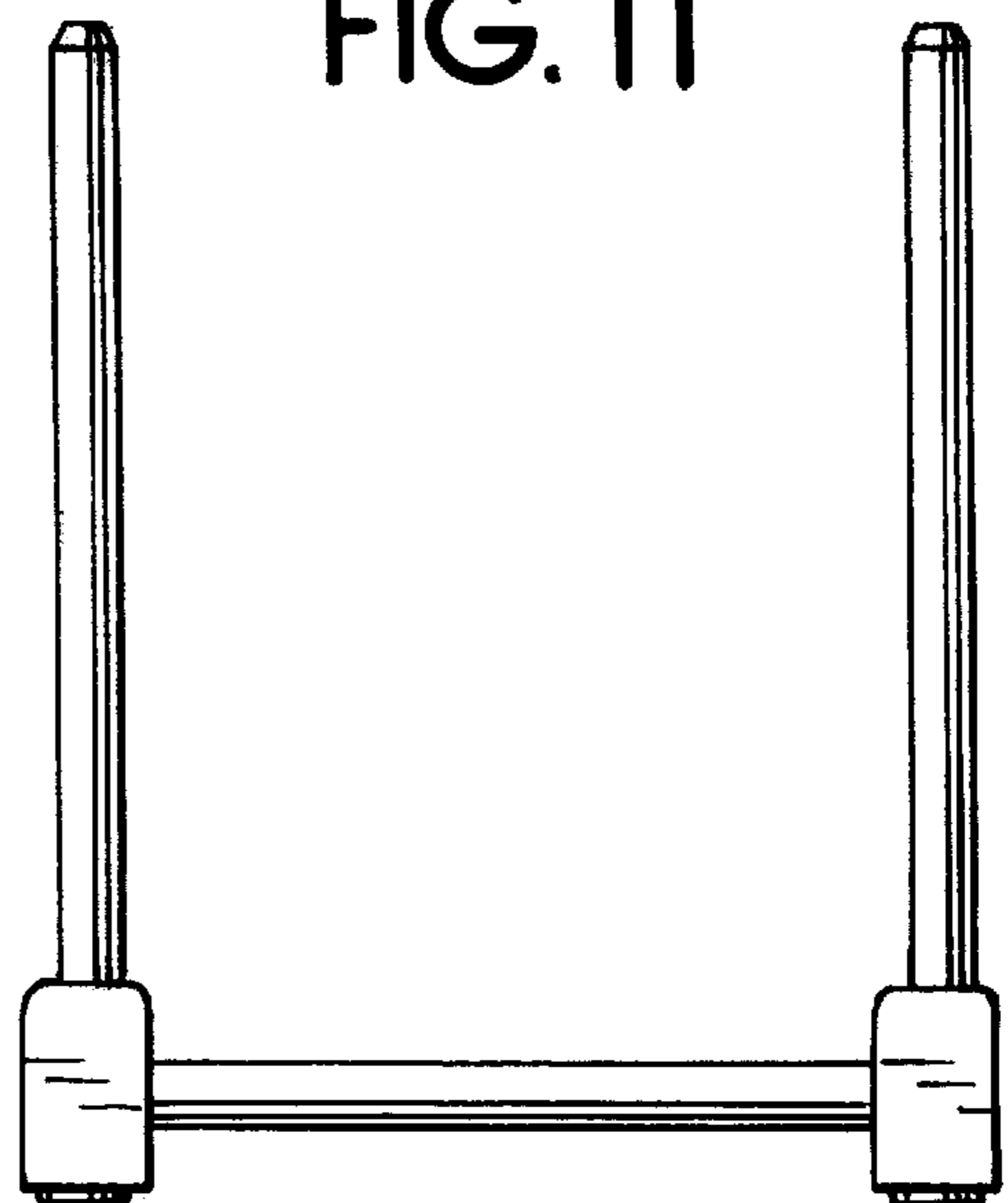


FIG. 12

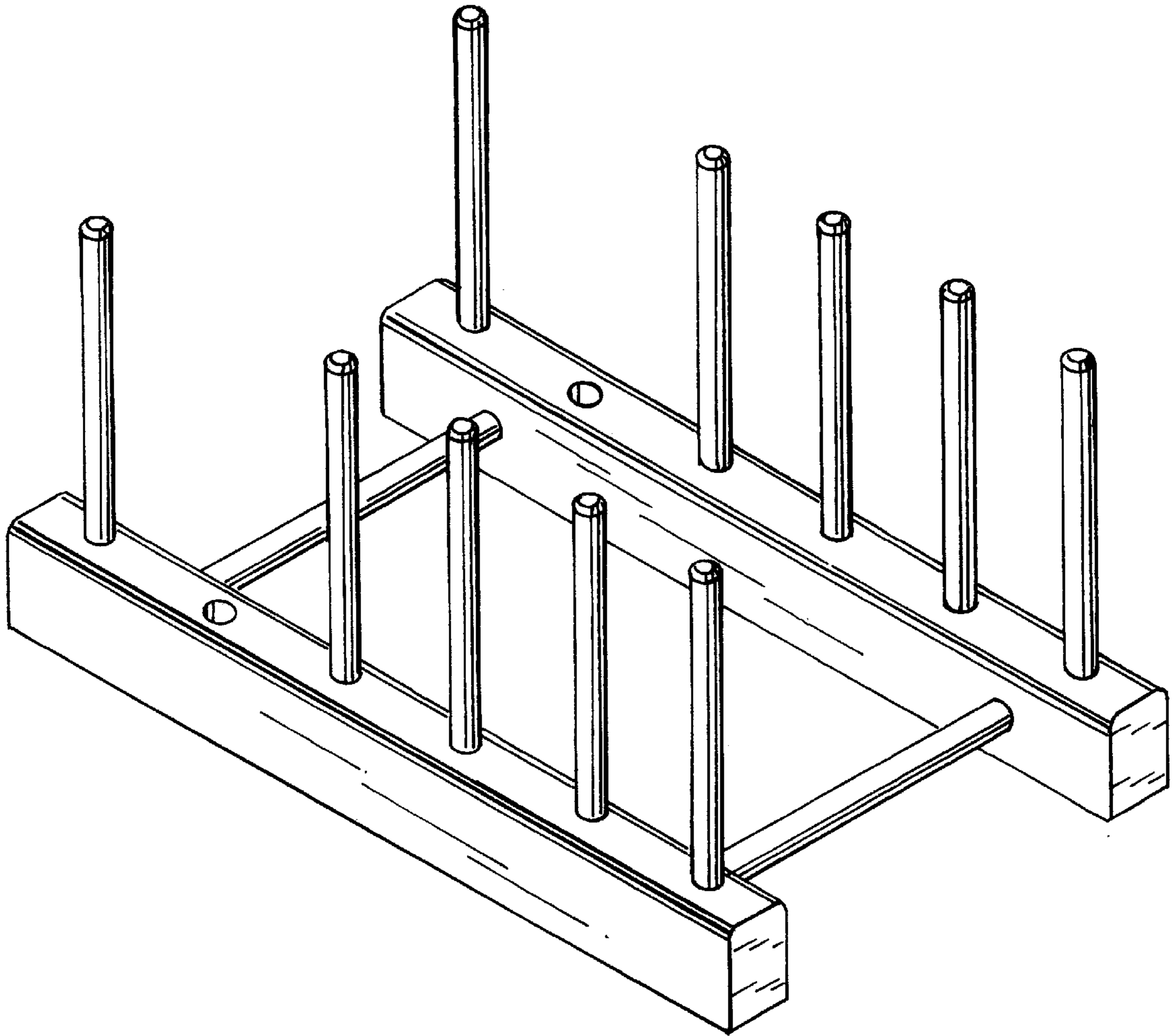


FIG. 13

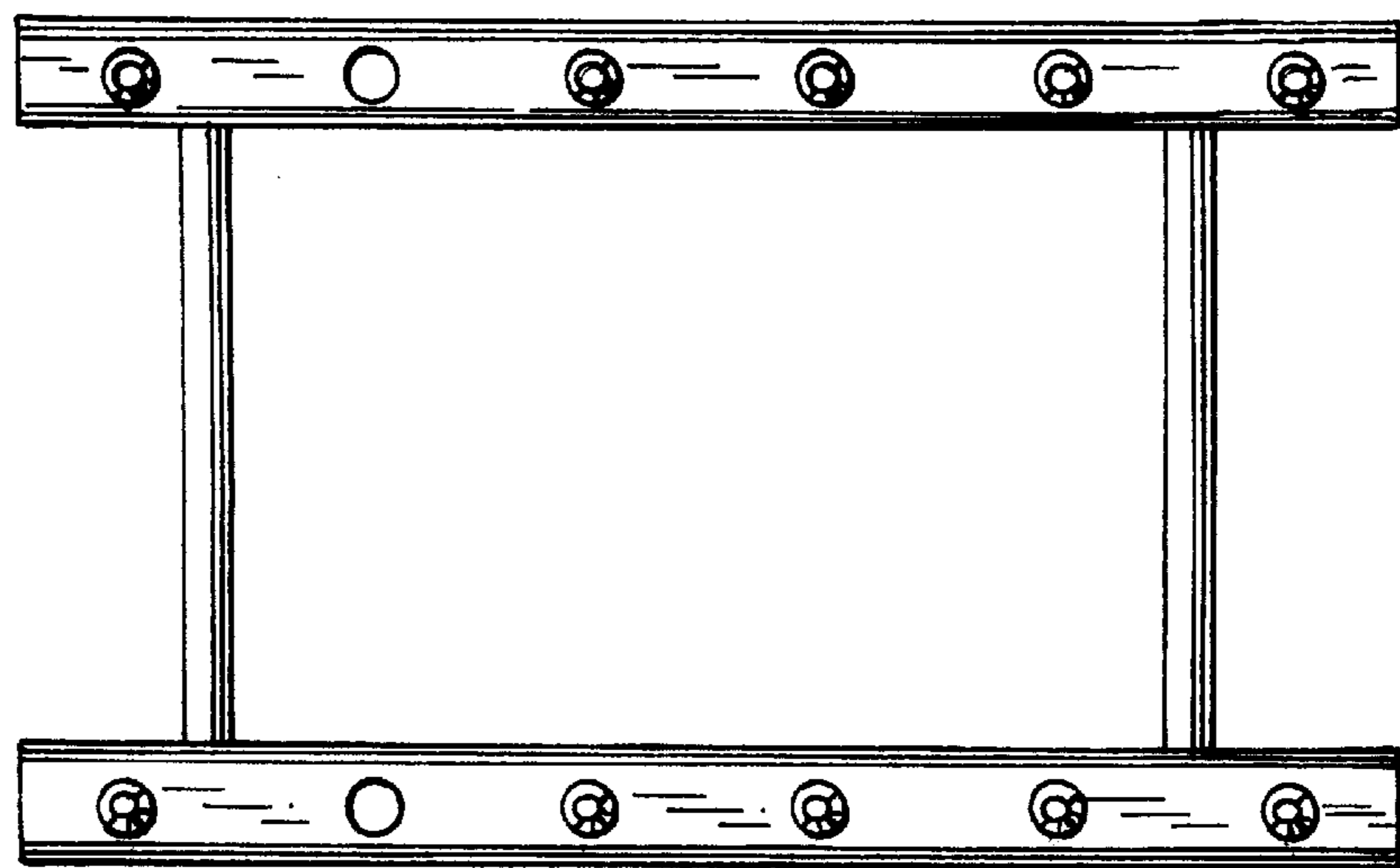


FIG. 14

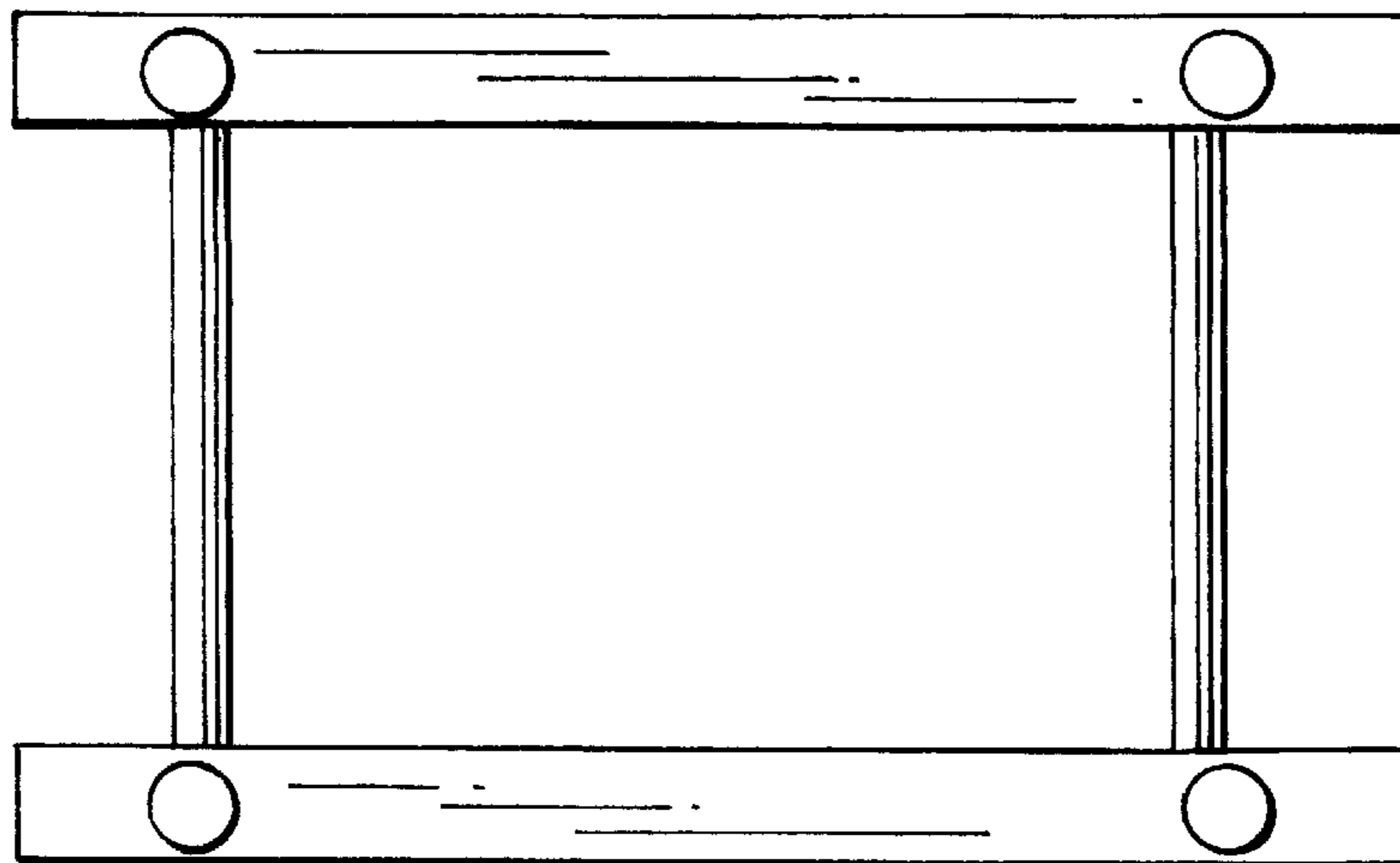


FIG. 15

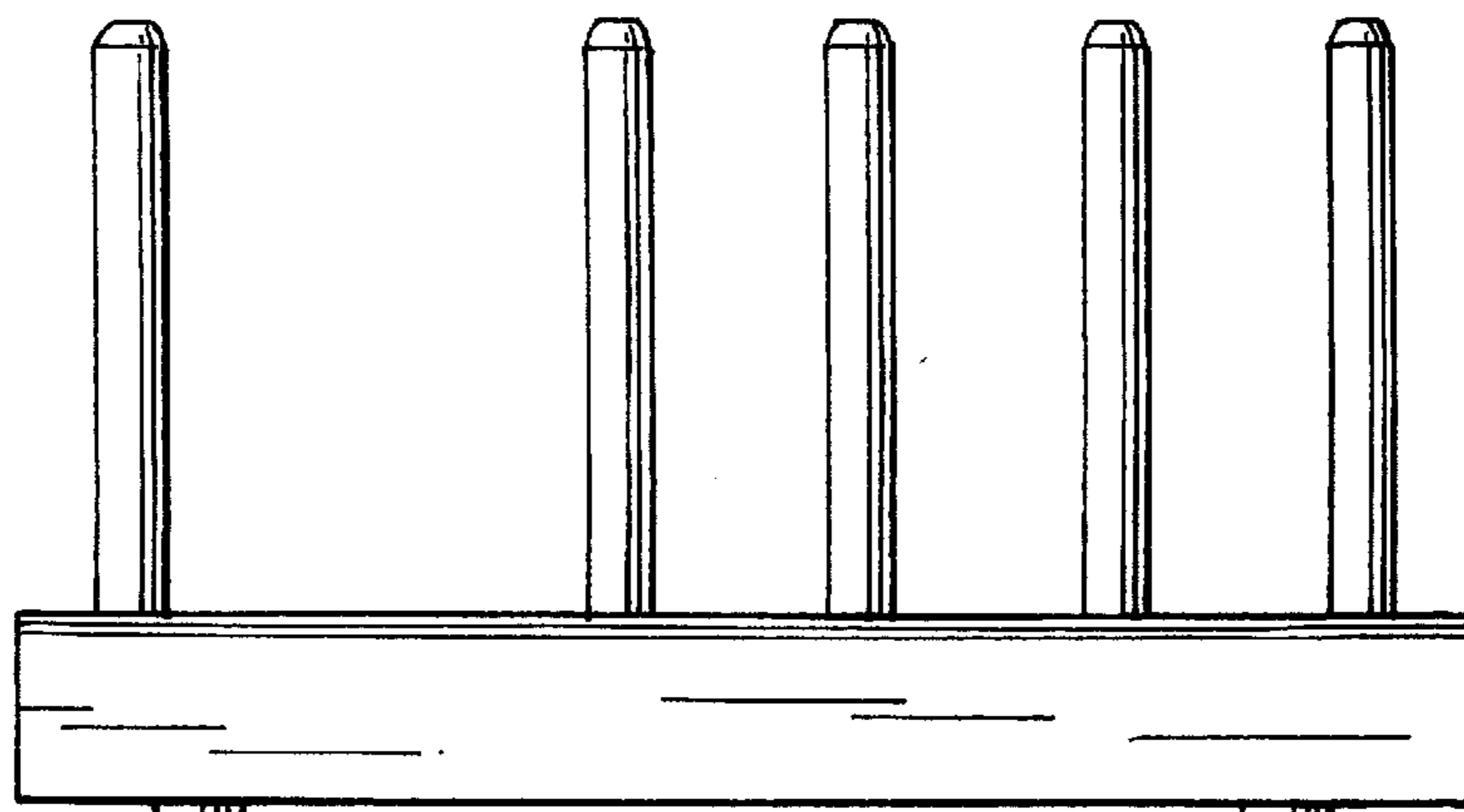


FIG. 16

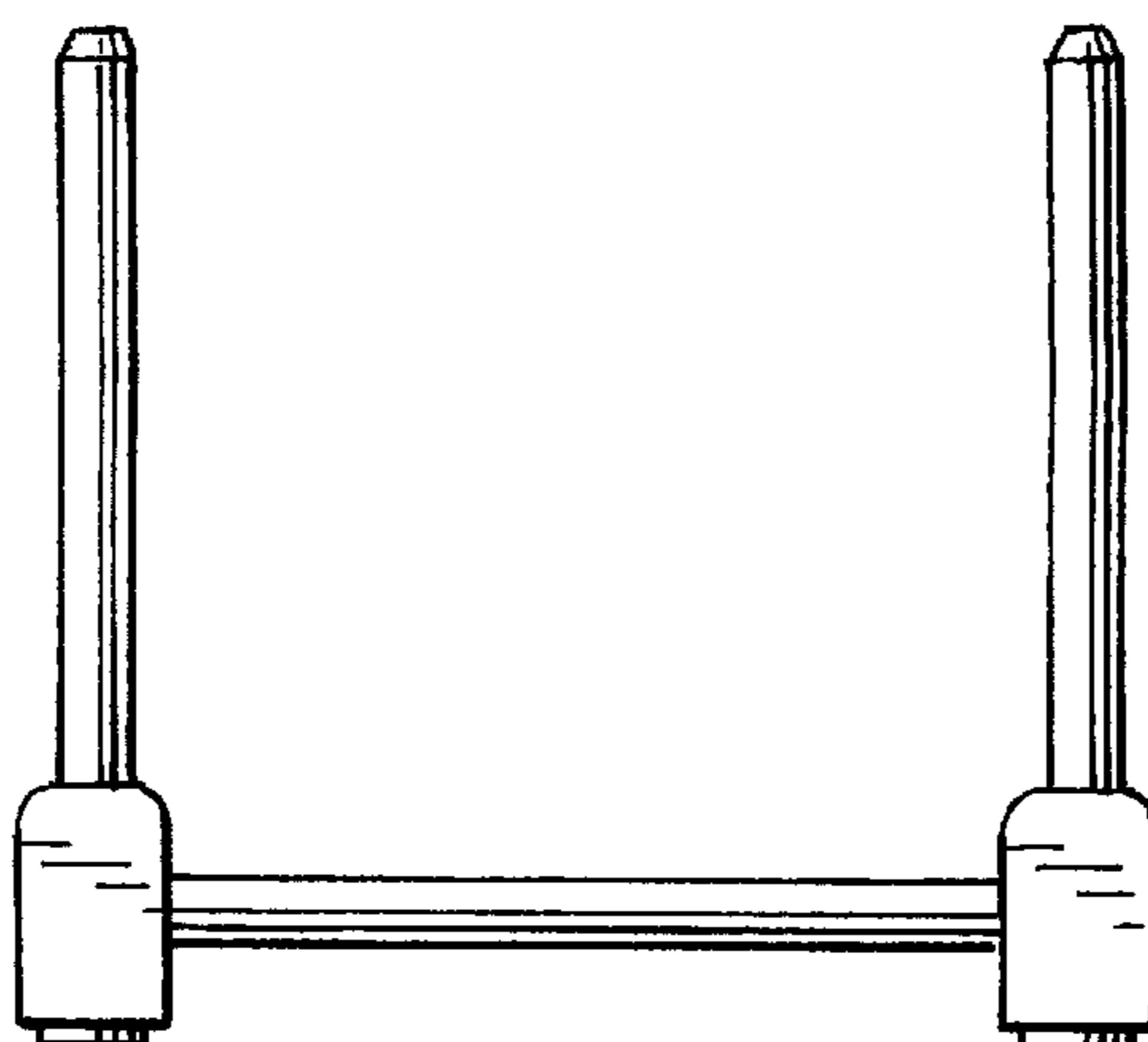


FIG. 17

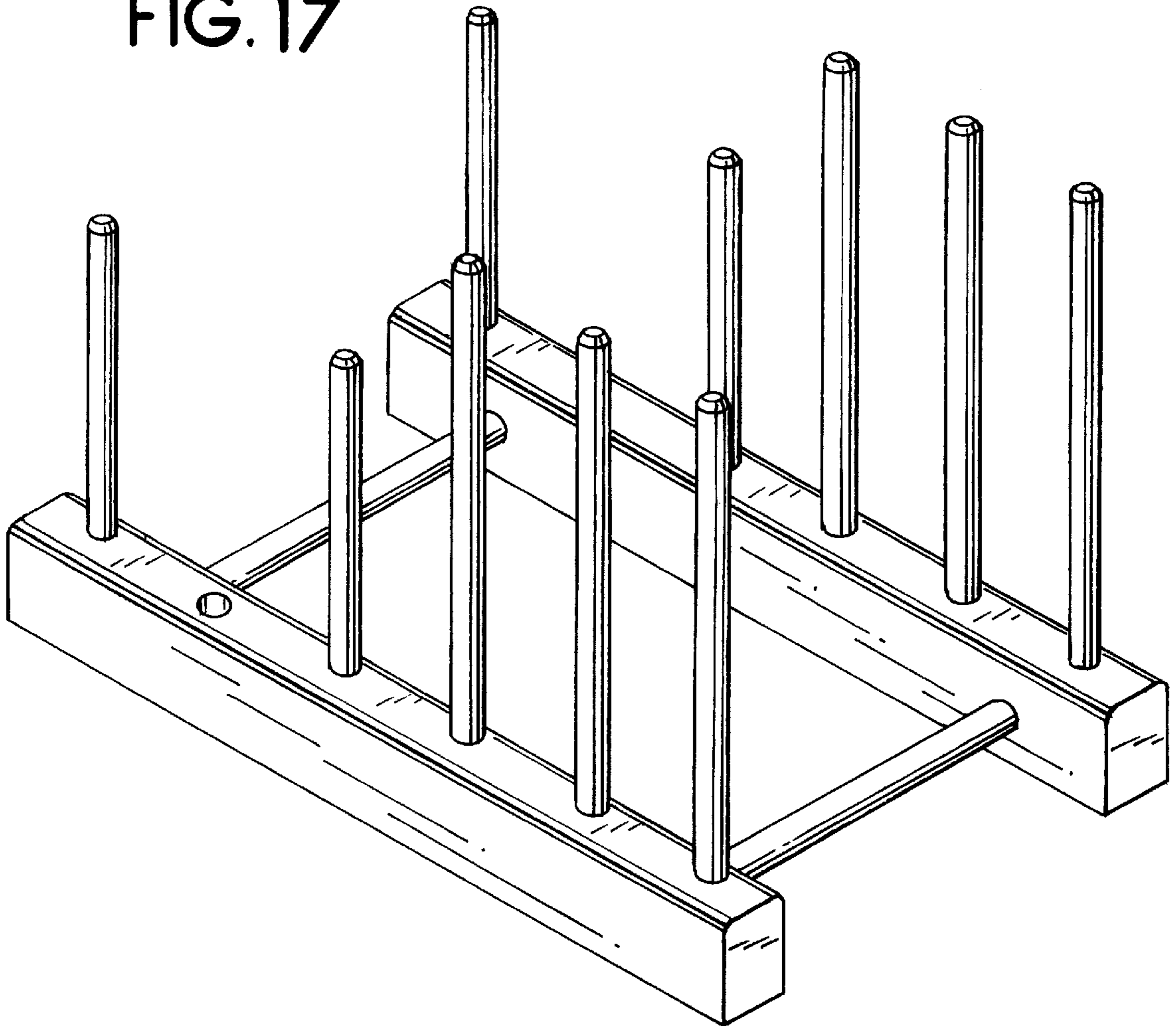


FIG. 18

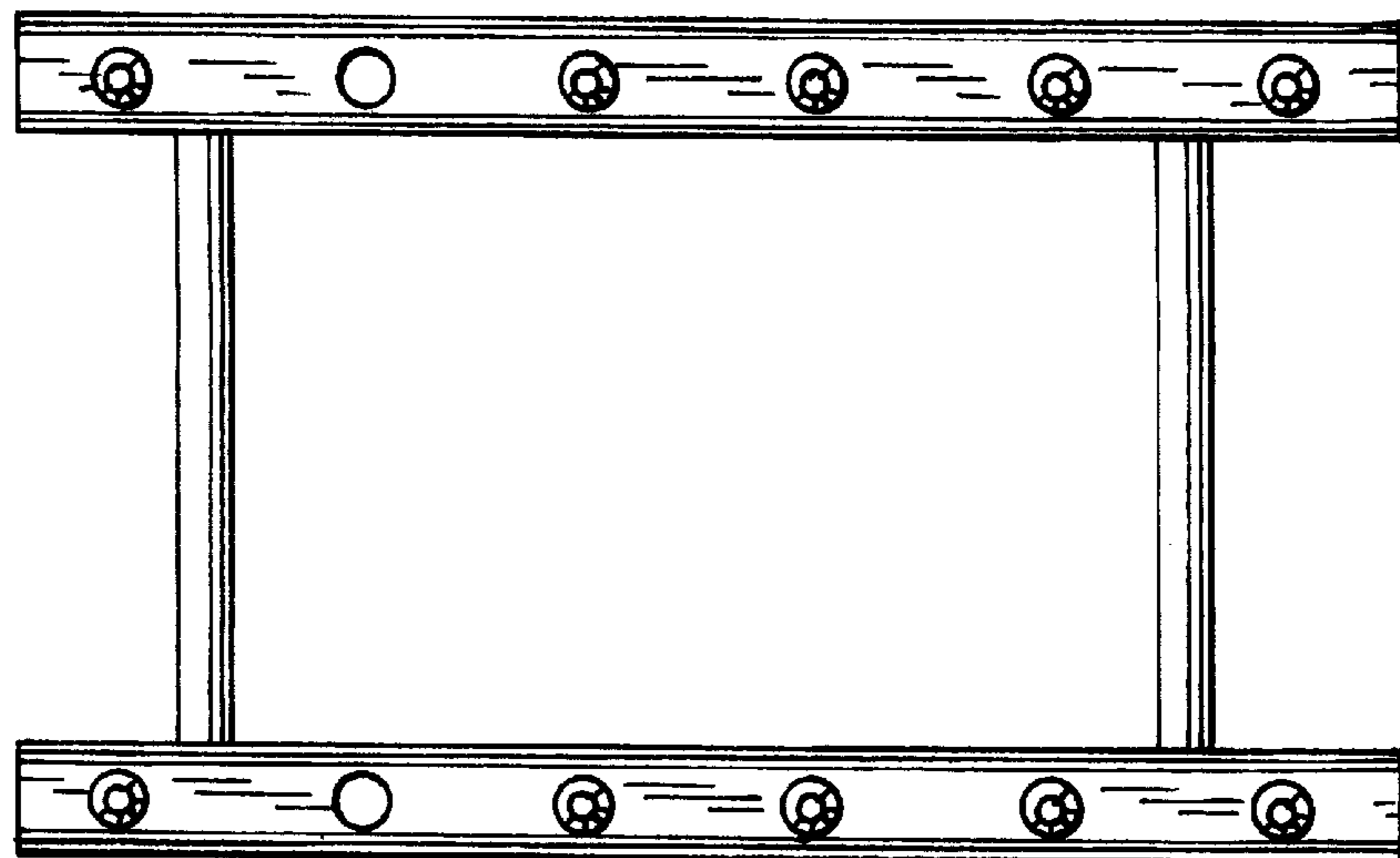


FIG. 19

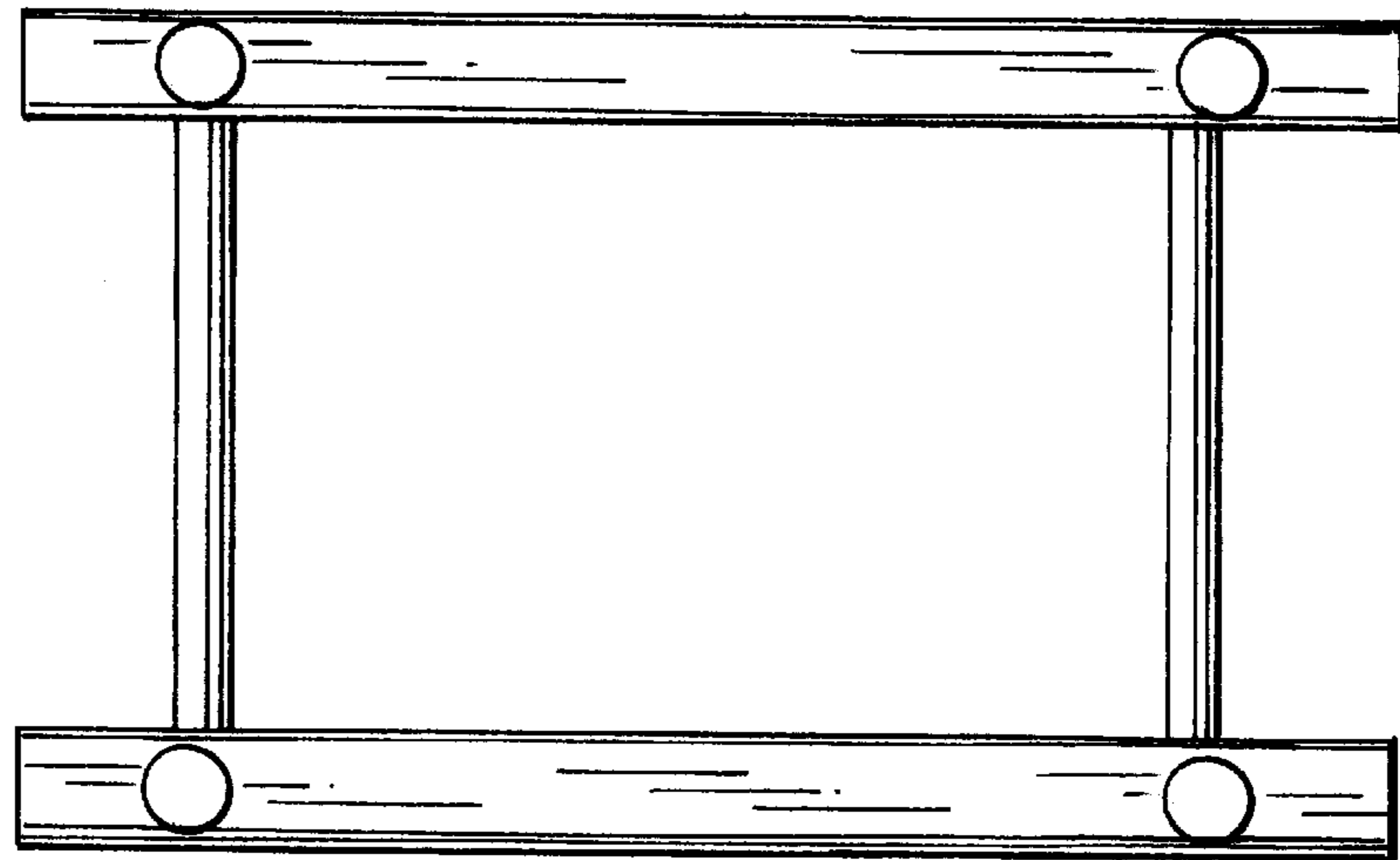


FIG. 20

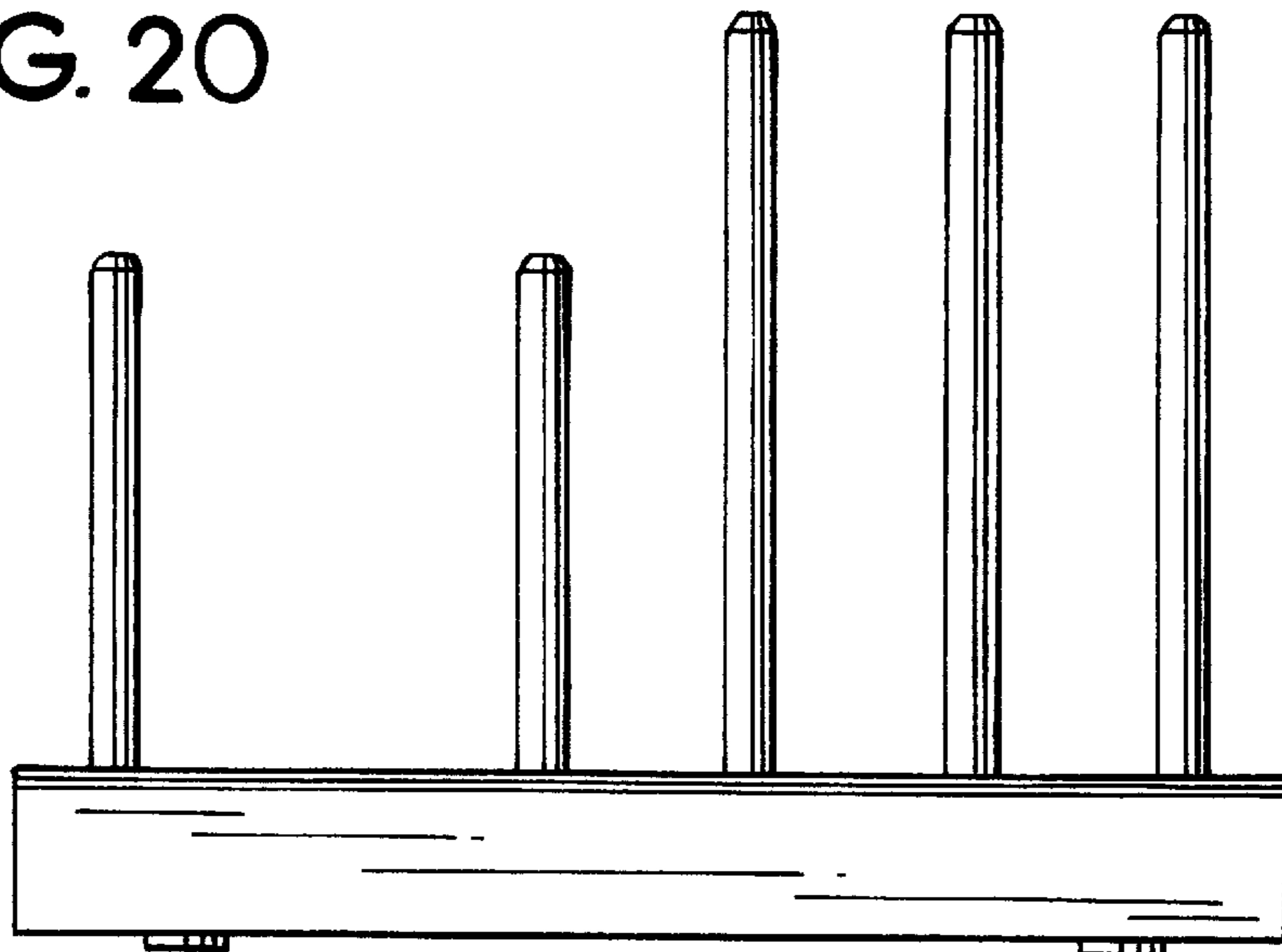


FIG. 21

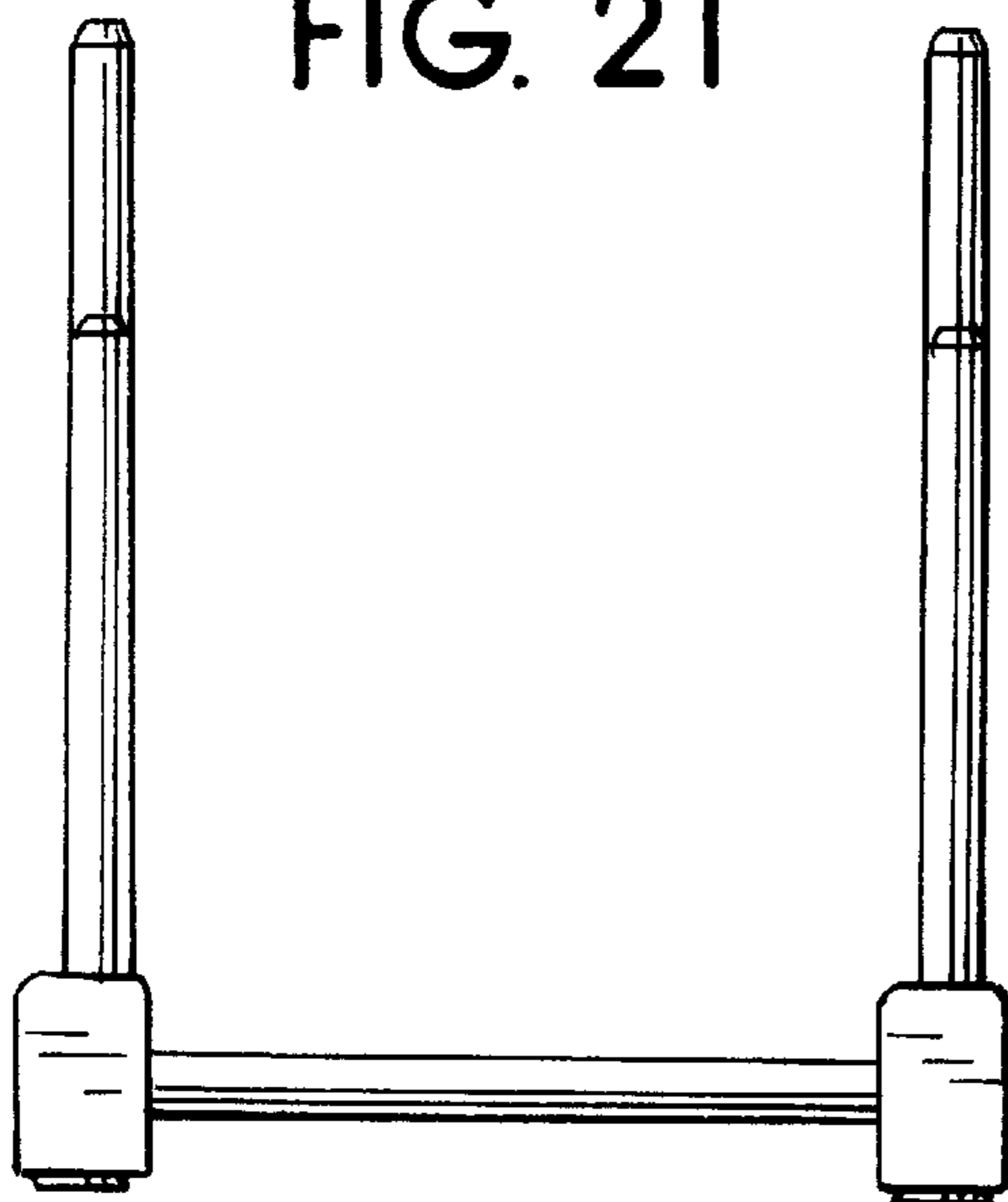


FIG. 22

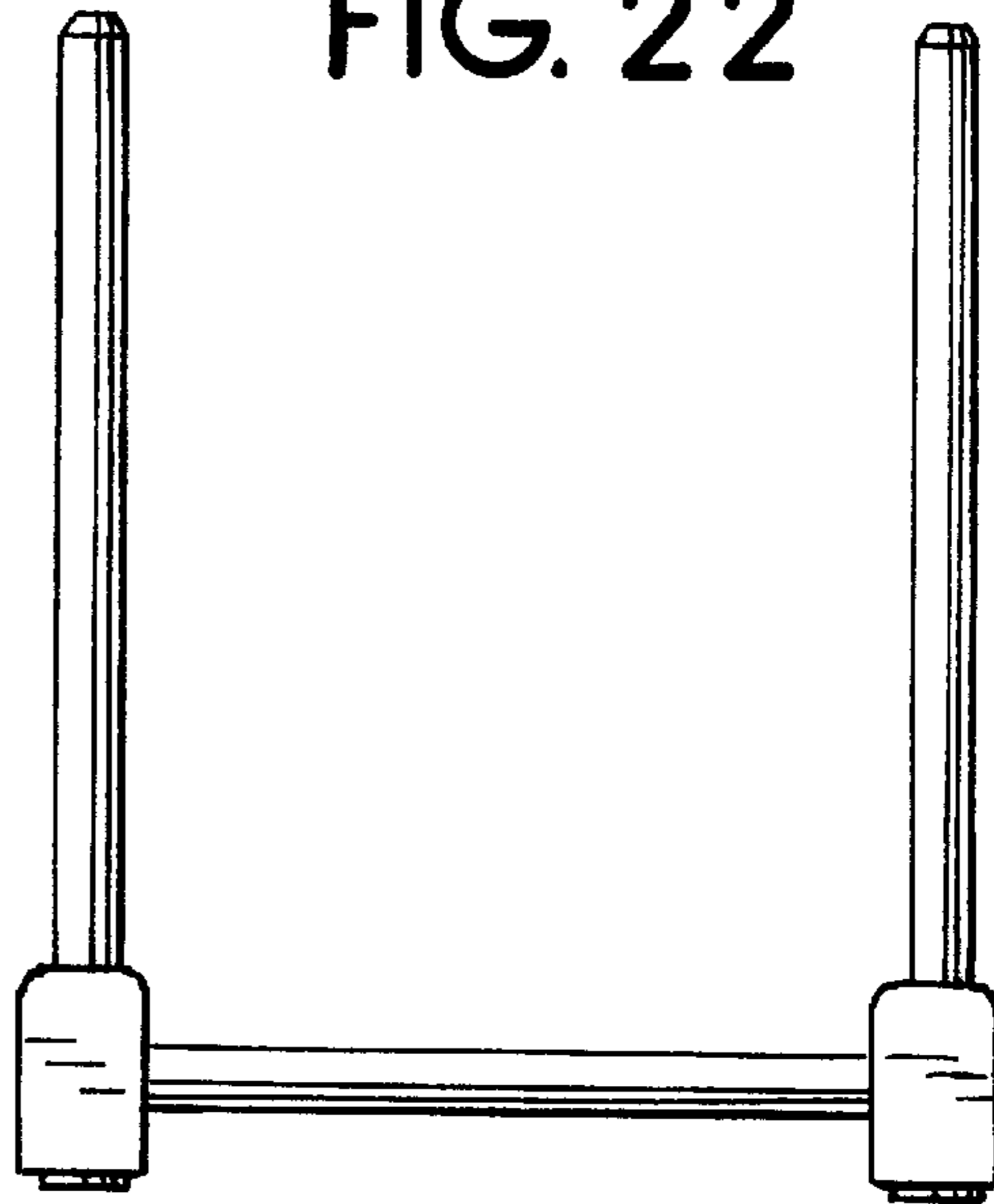


FIG. 23

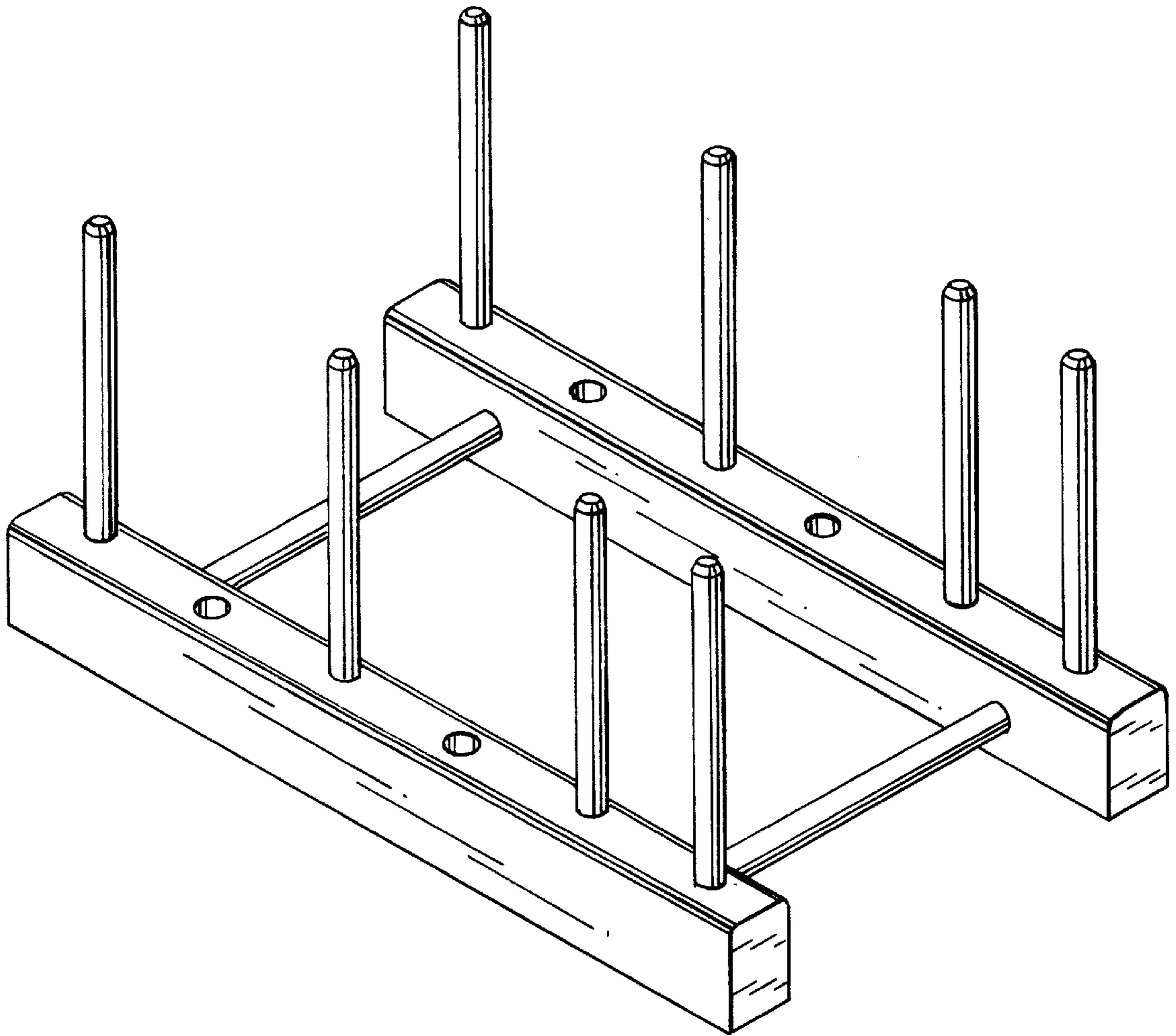


FIG. 24

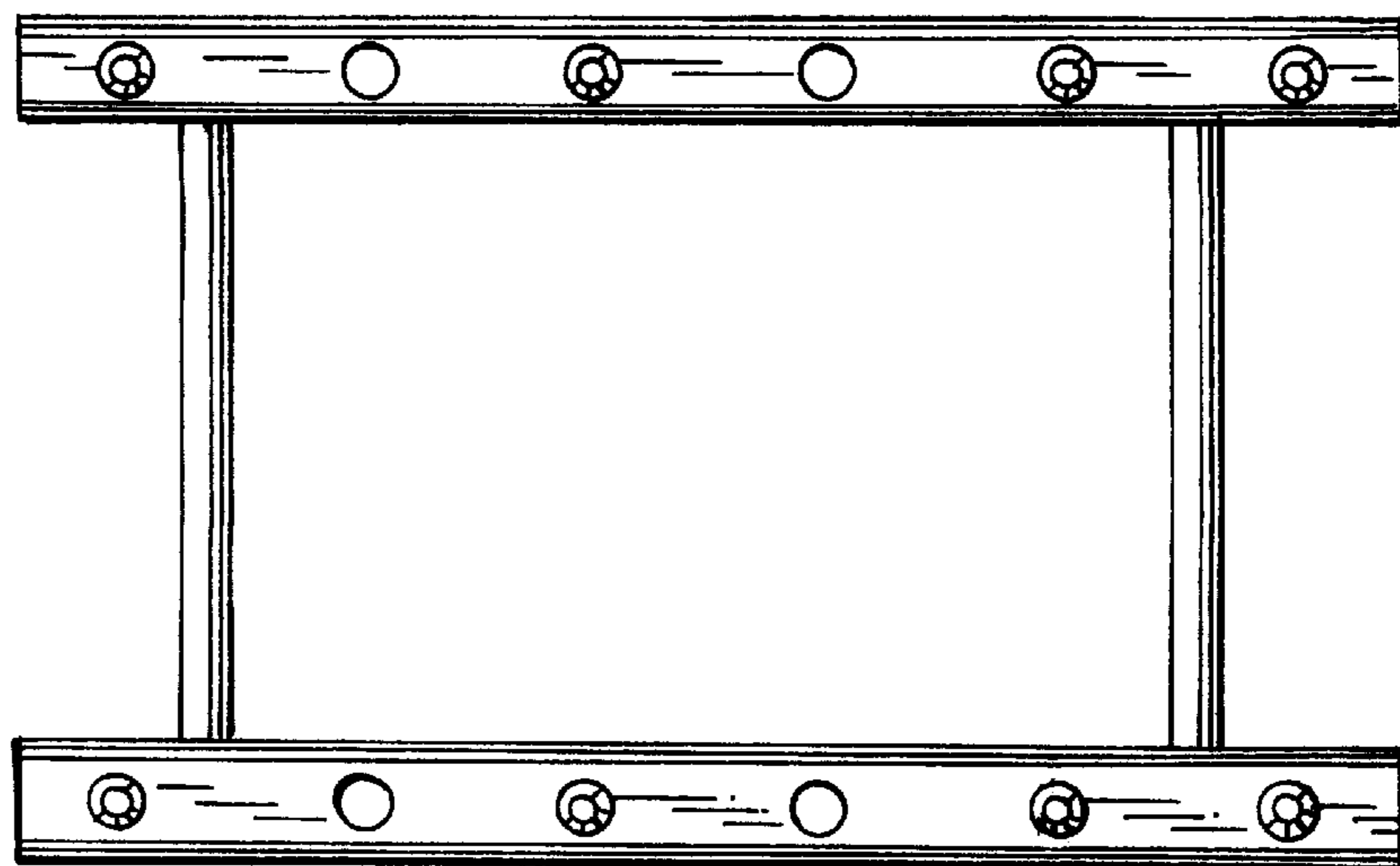


FIG. 25

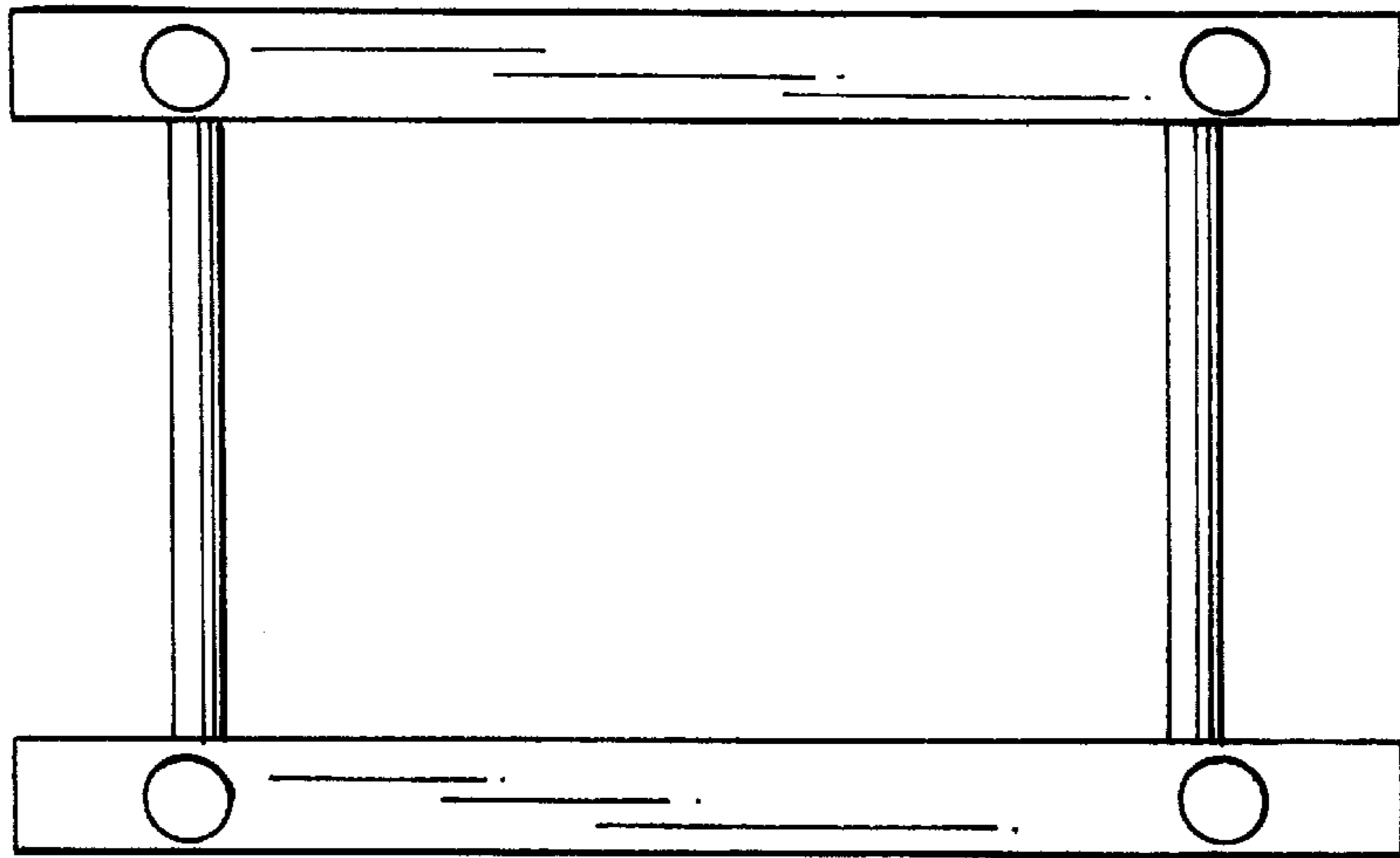


FIG. 26

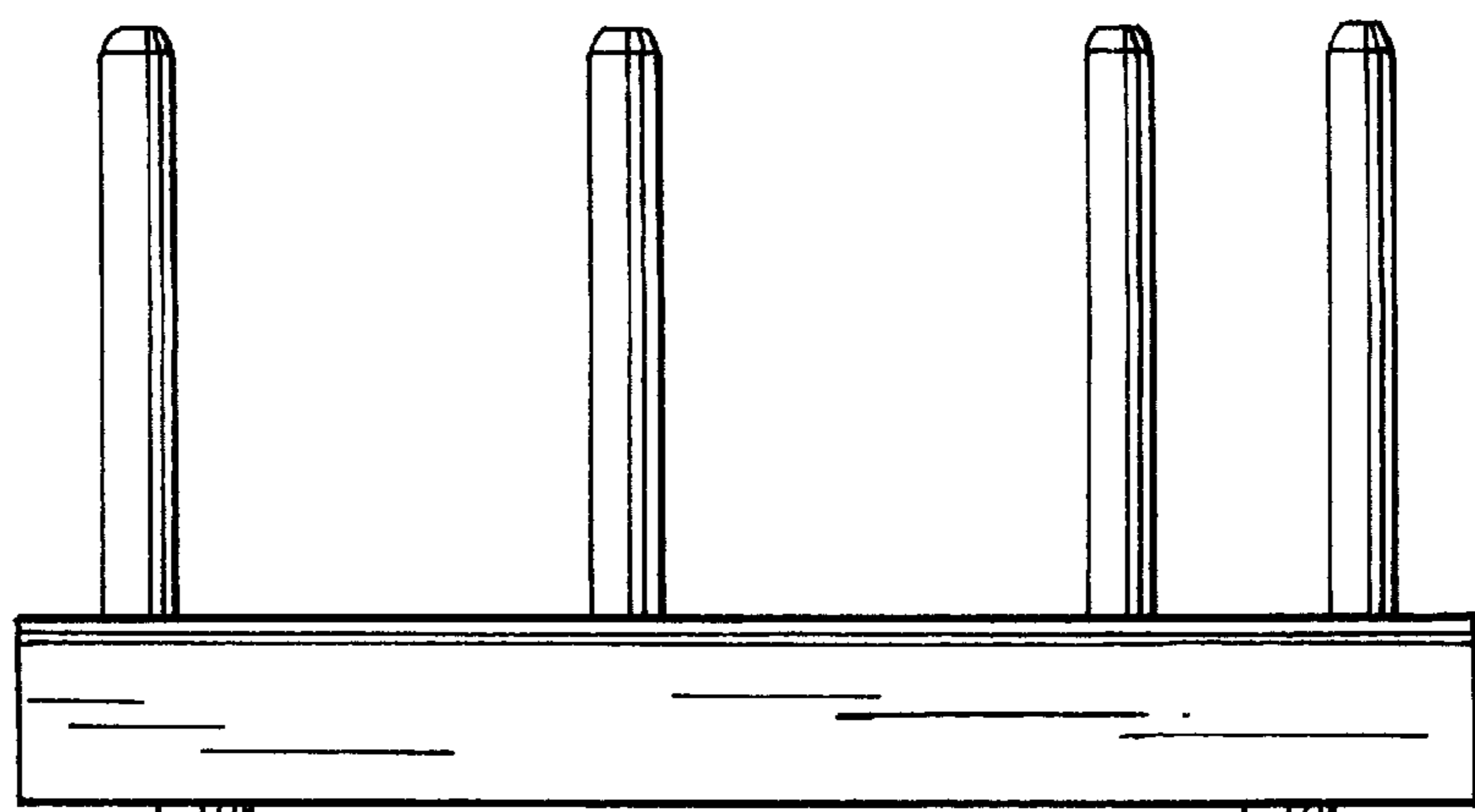


FIG. 27

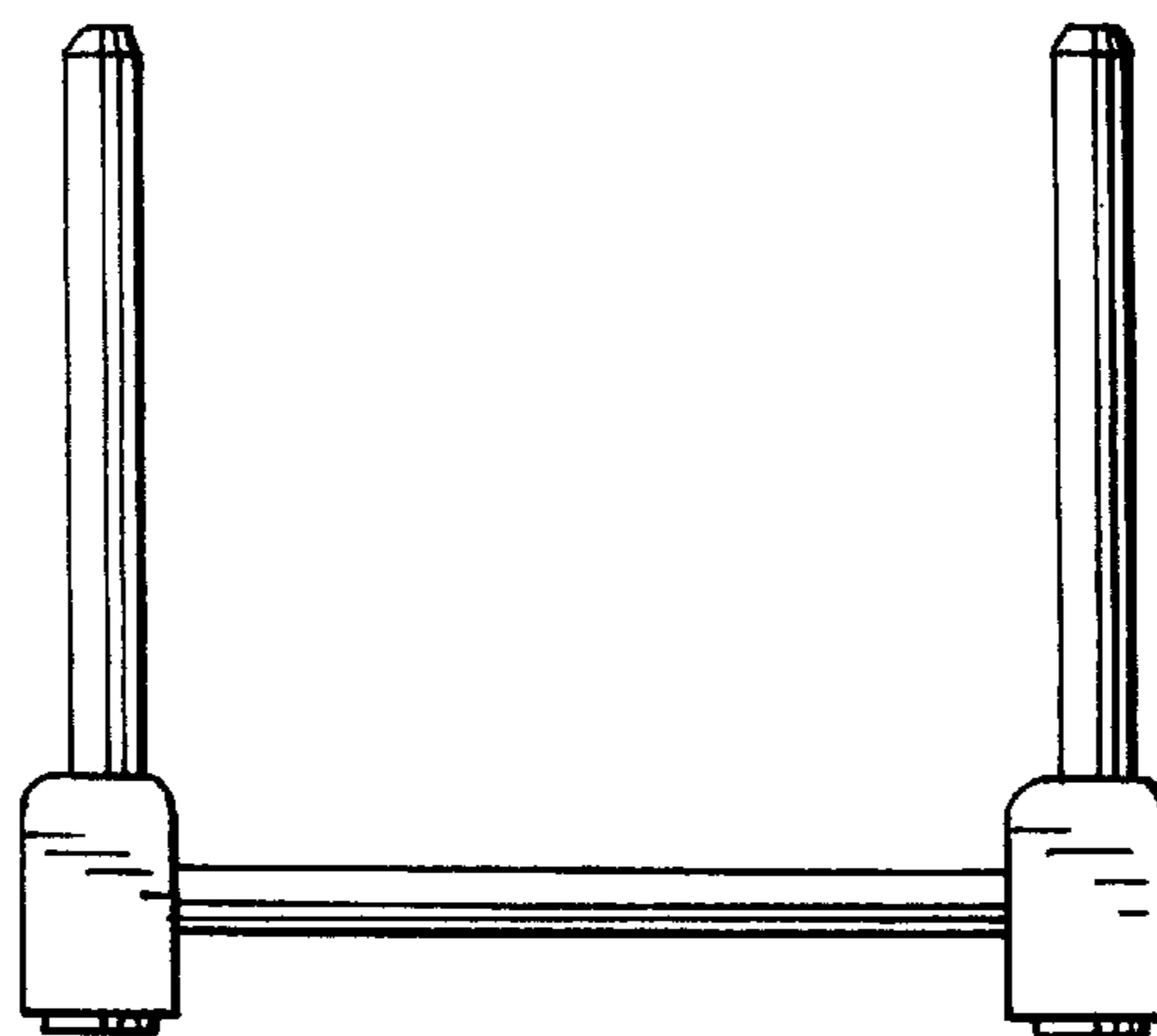


FIG. 28

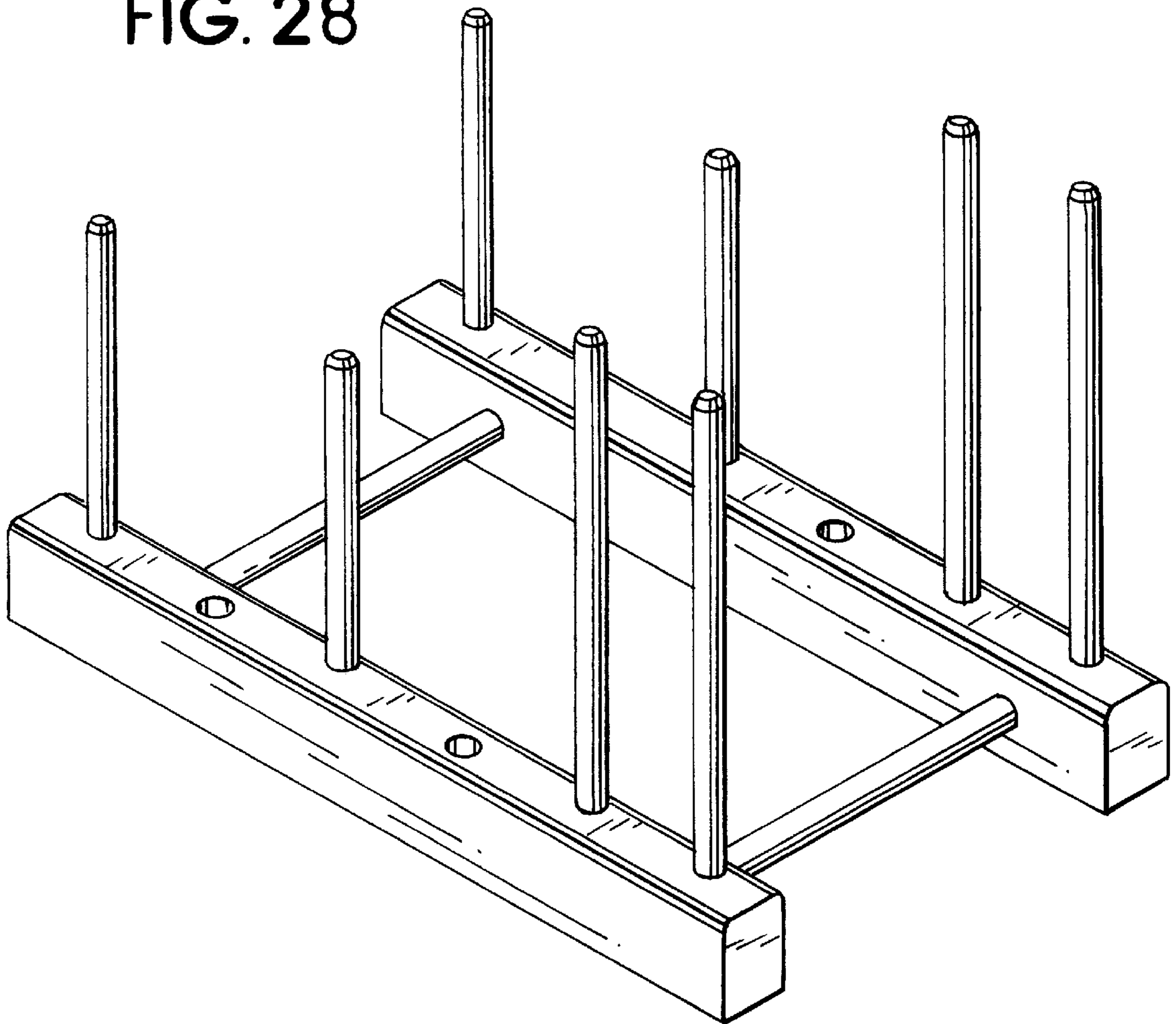


FIG. 29

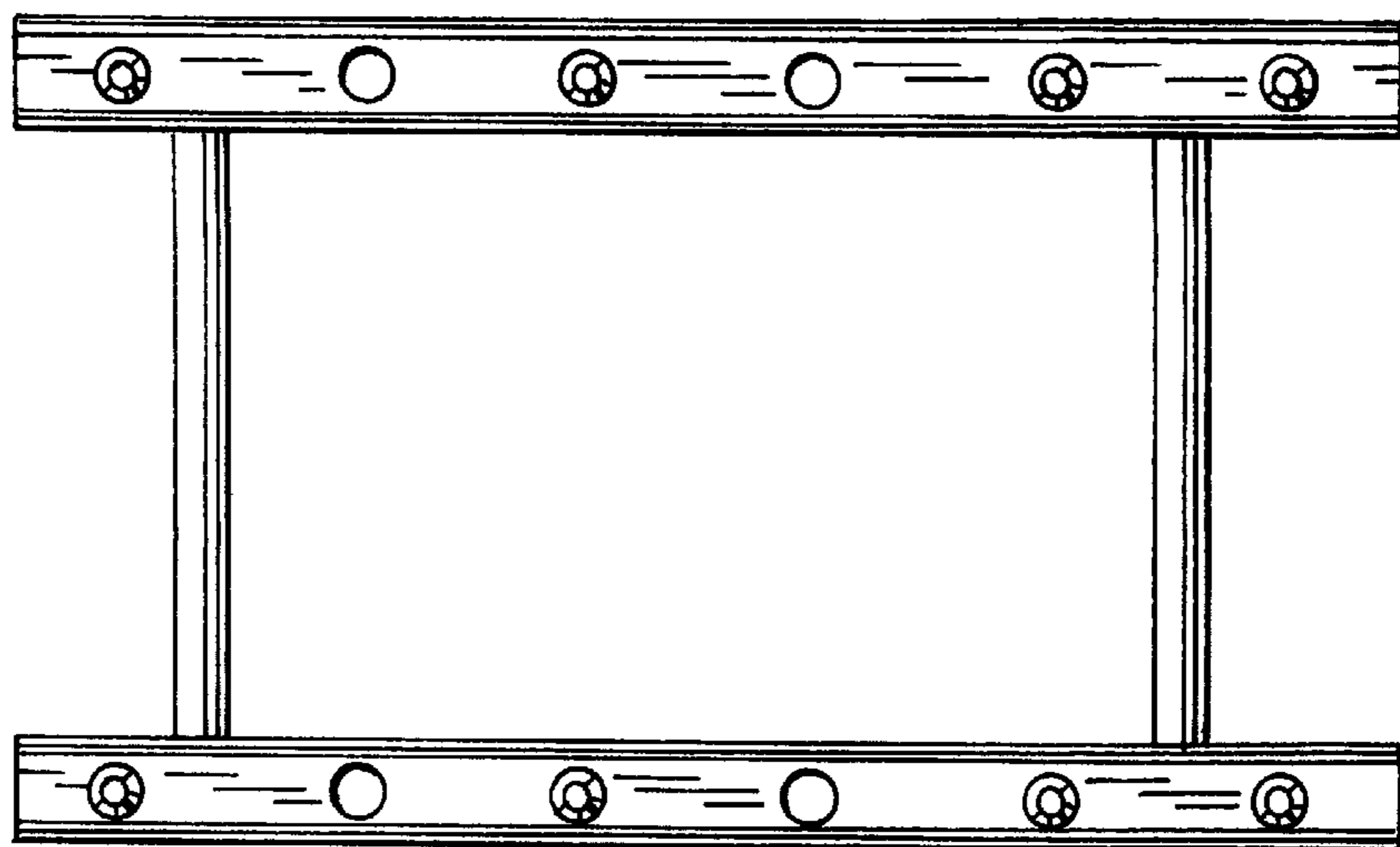


FIG. 30

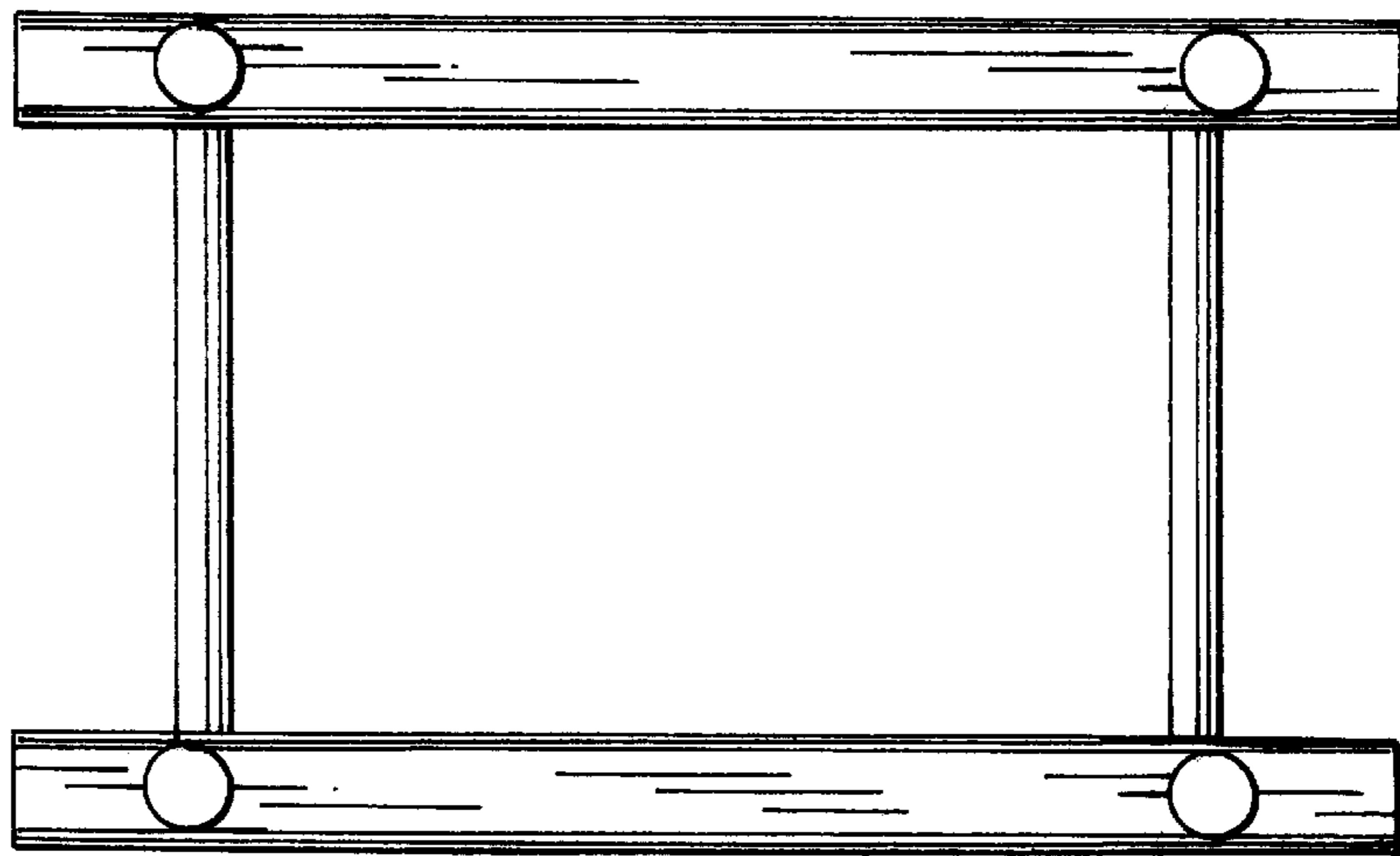


FIG. 31

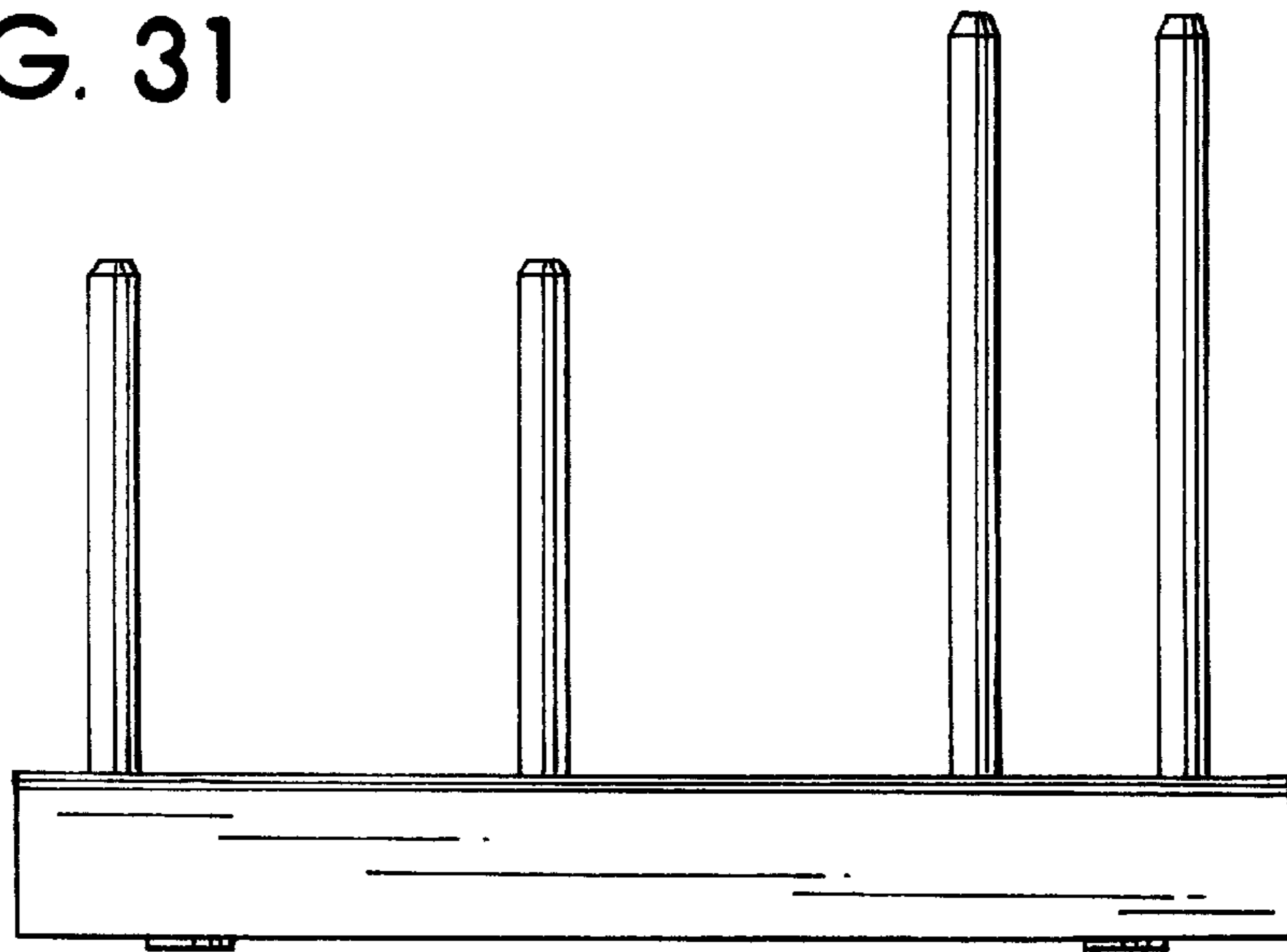


FIG. 32

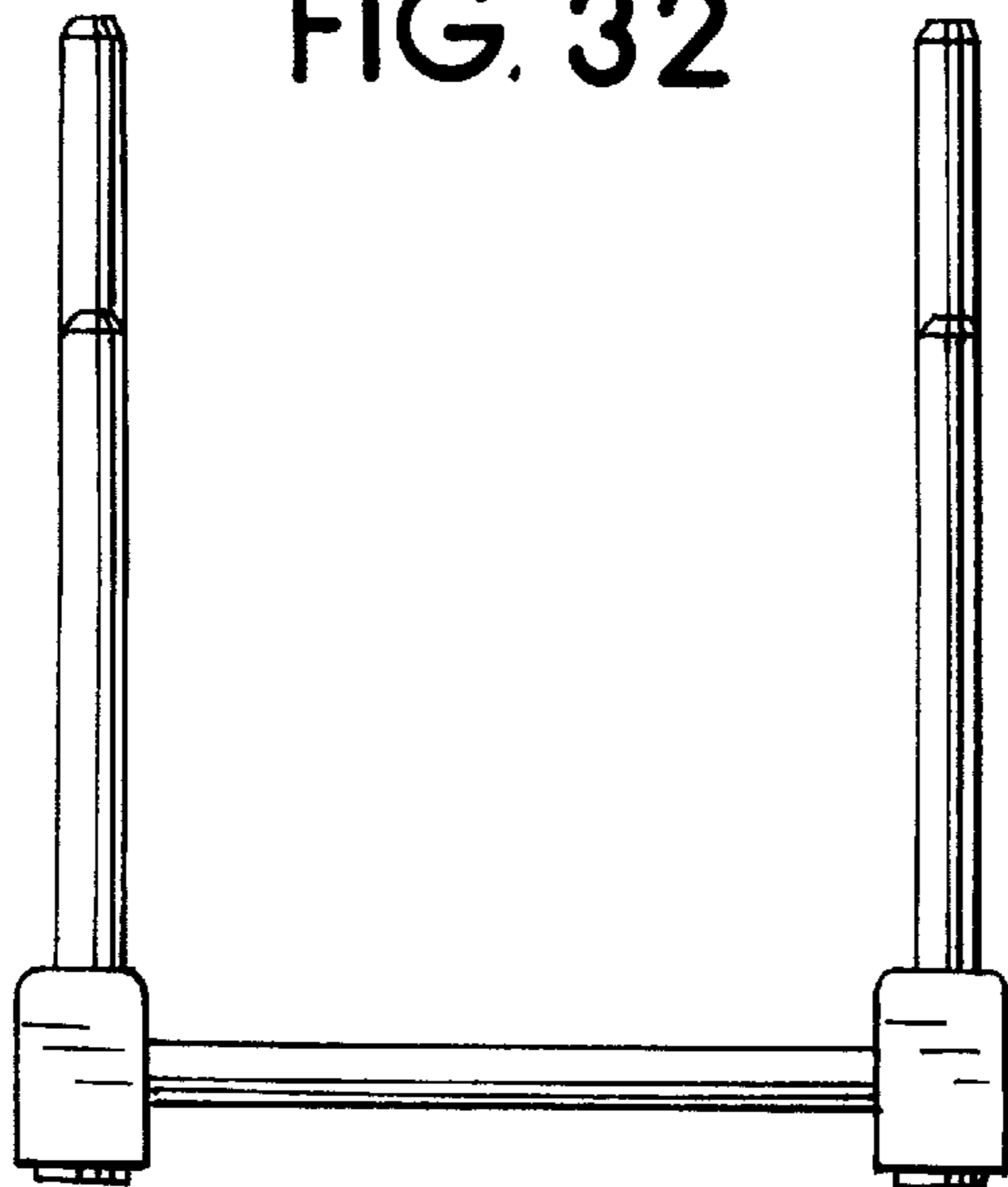


FIG. 33

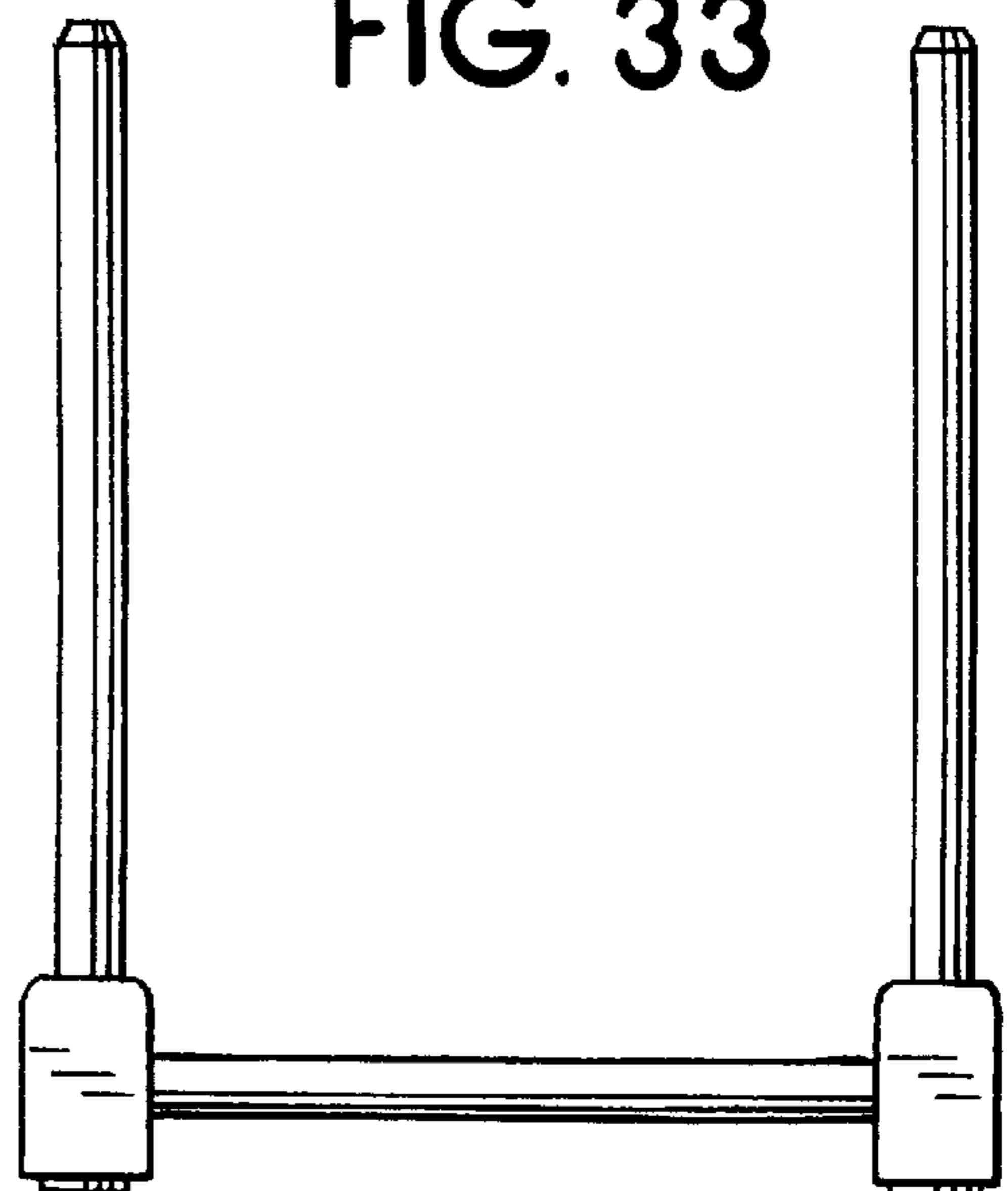


FIG. 34

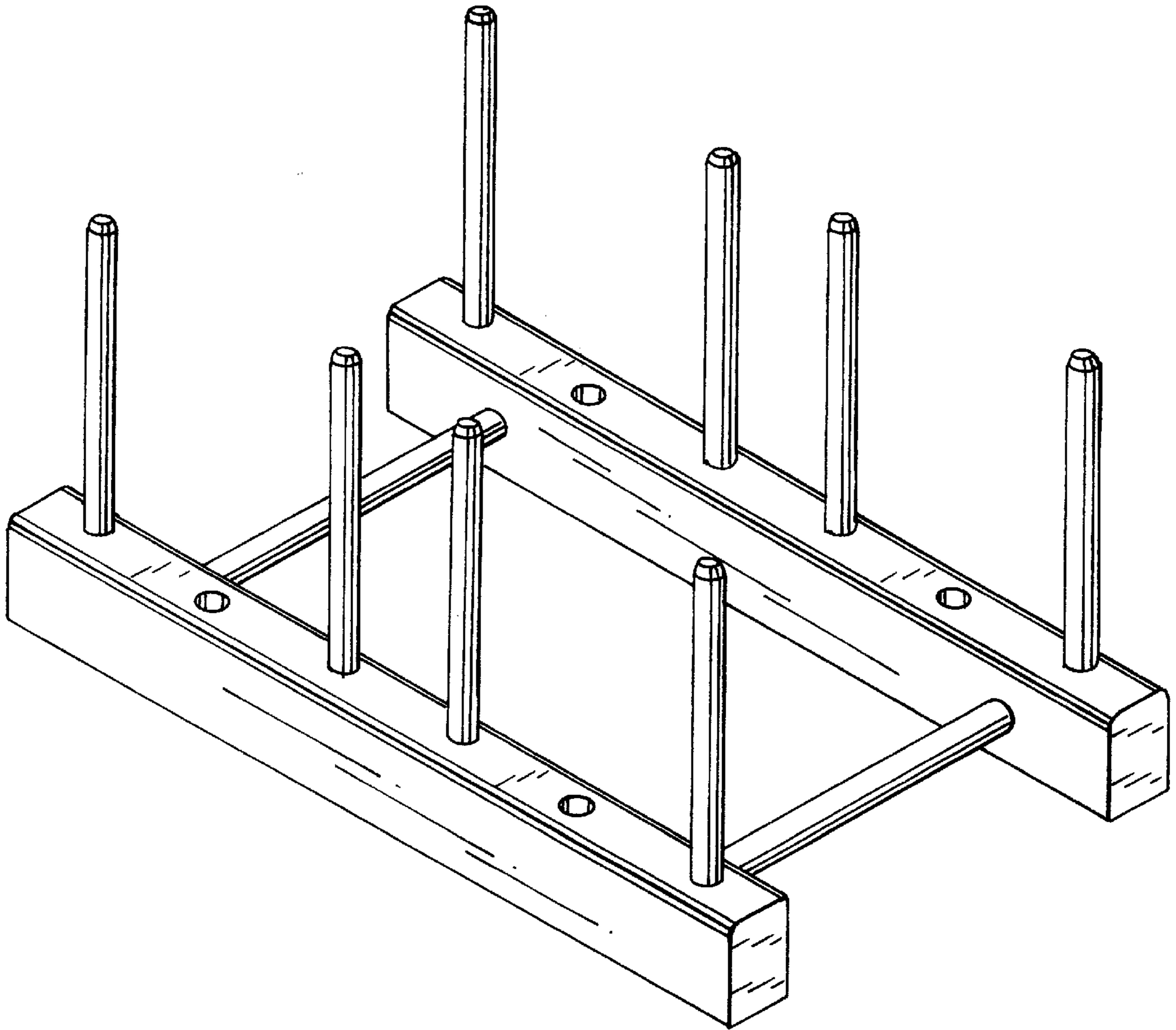


FIG. 35

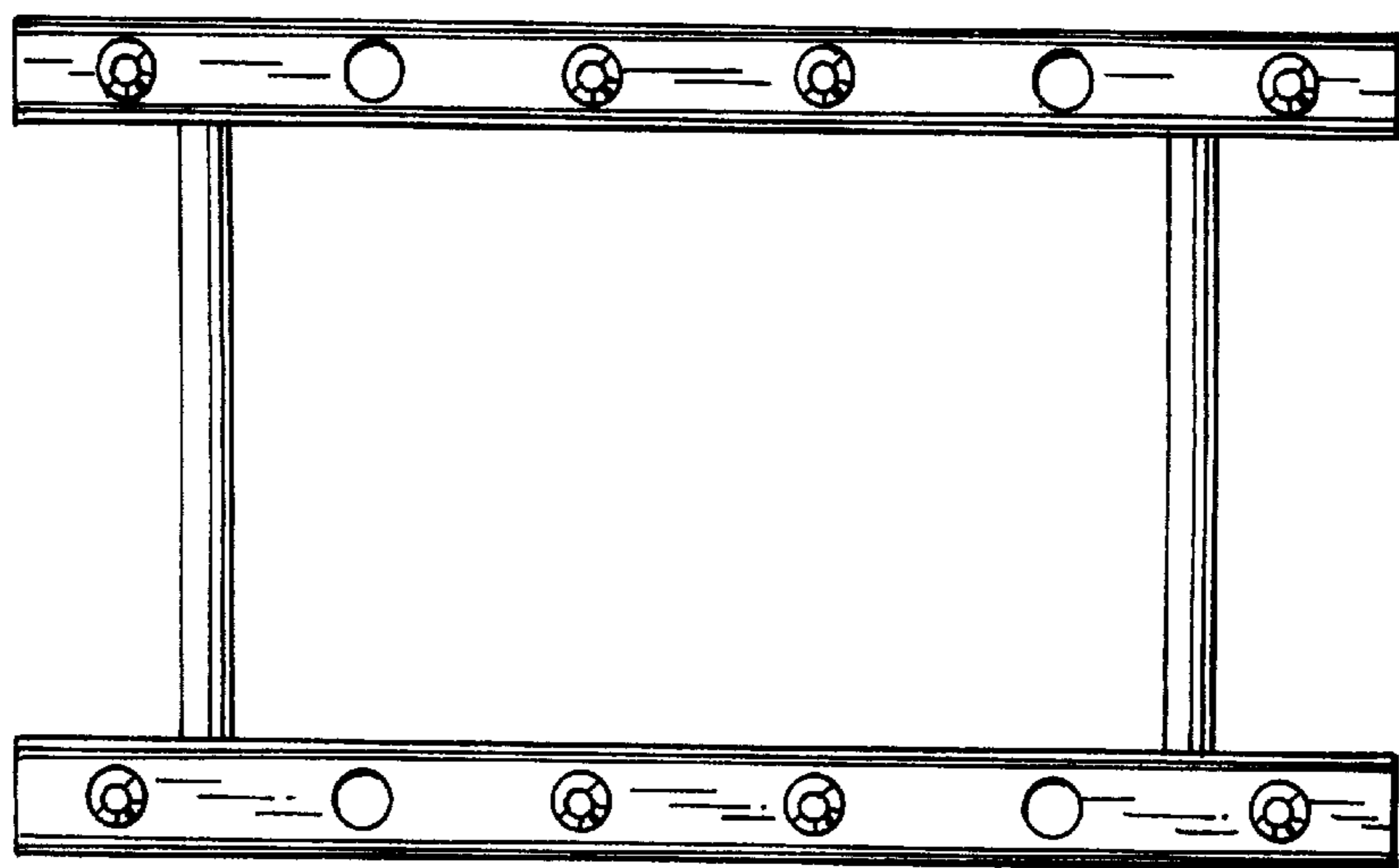


FIG. 36

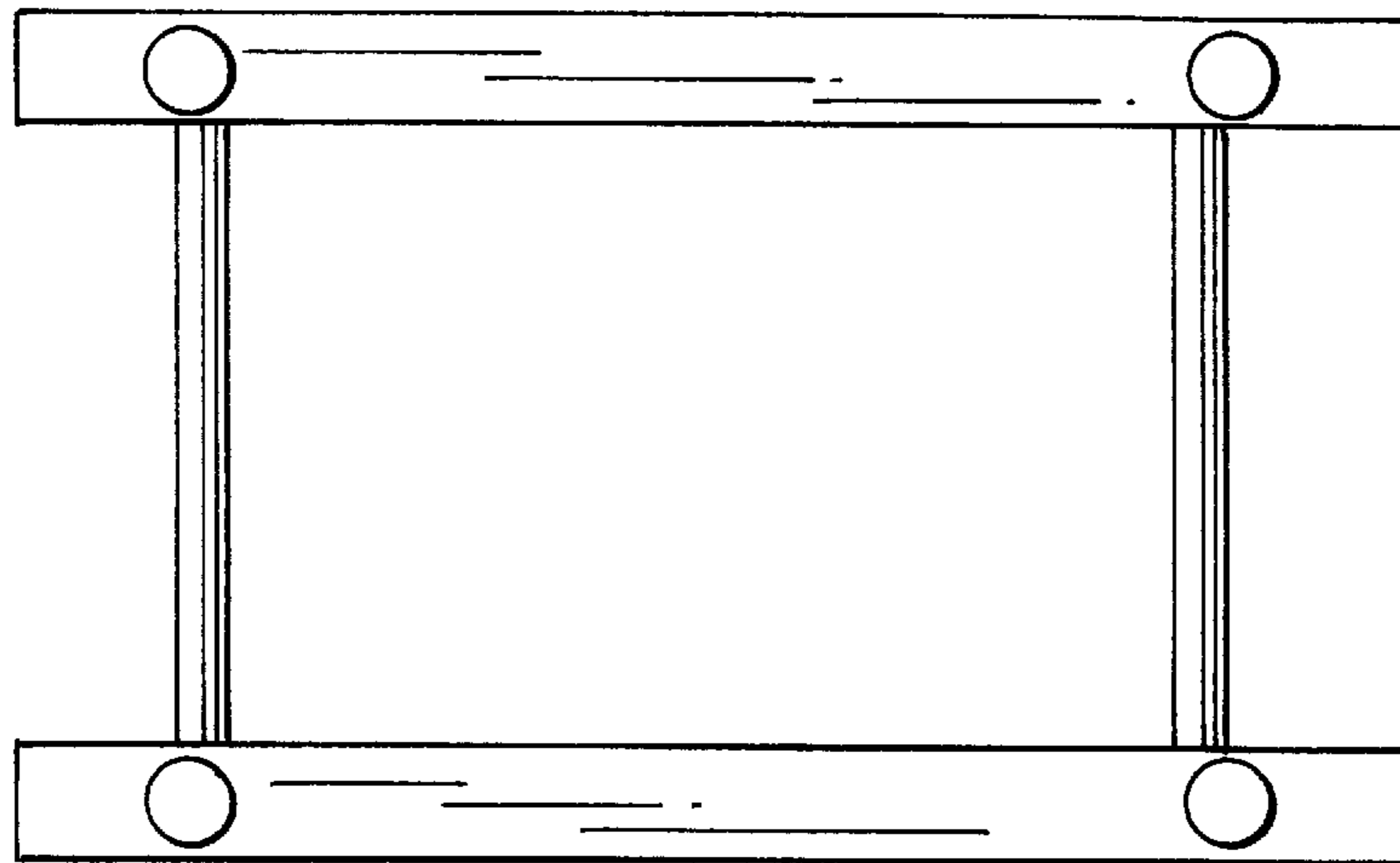


FIG. 37

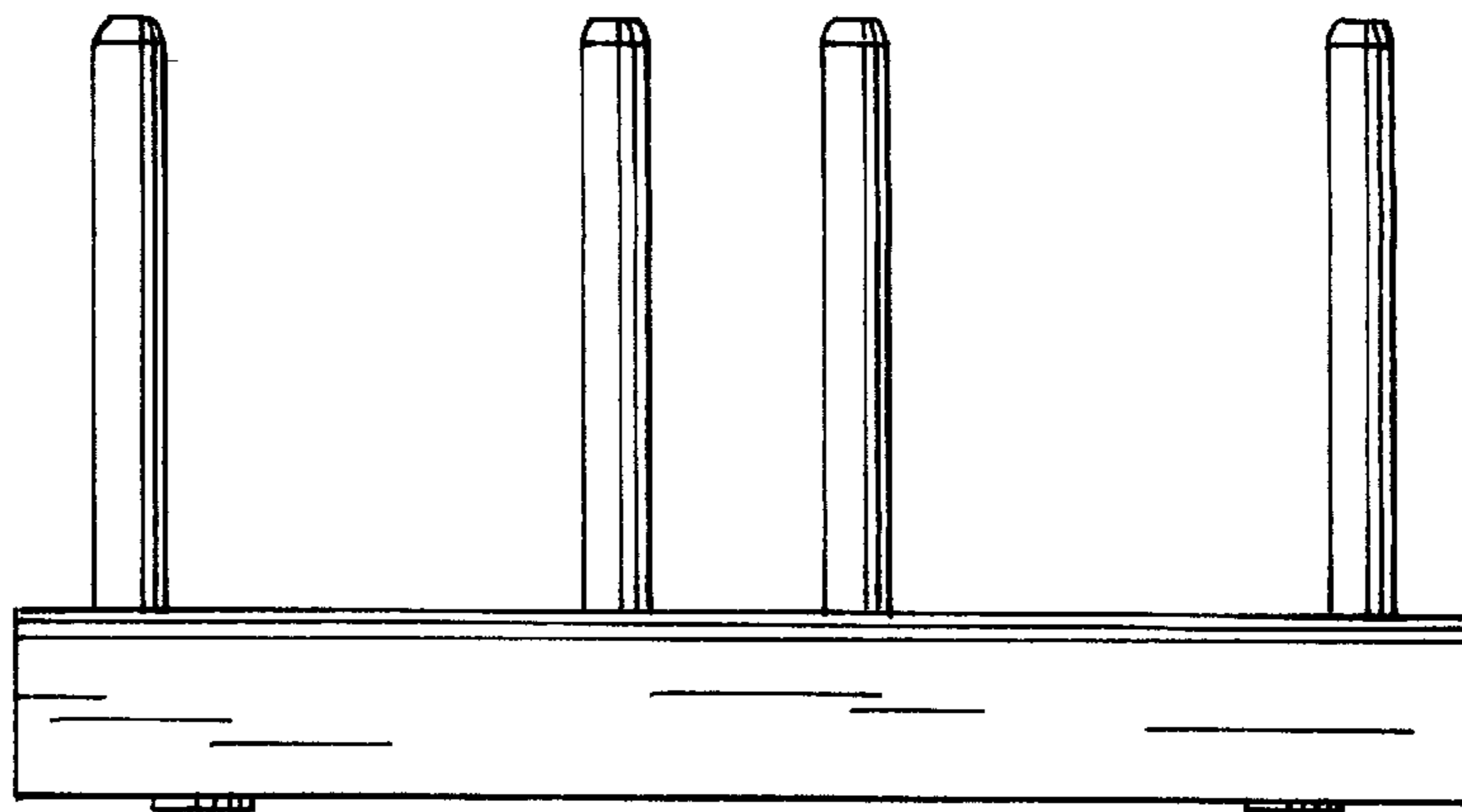


FIG. 38

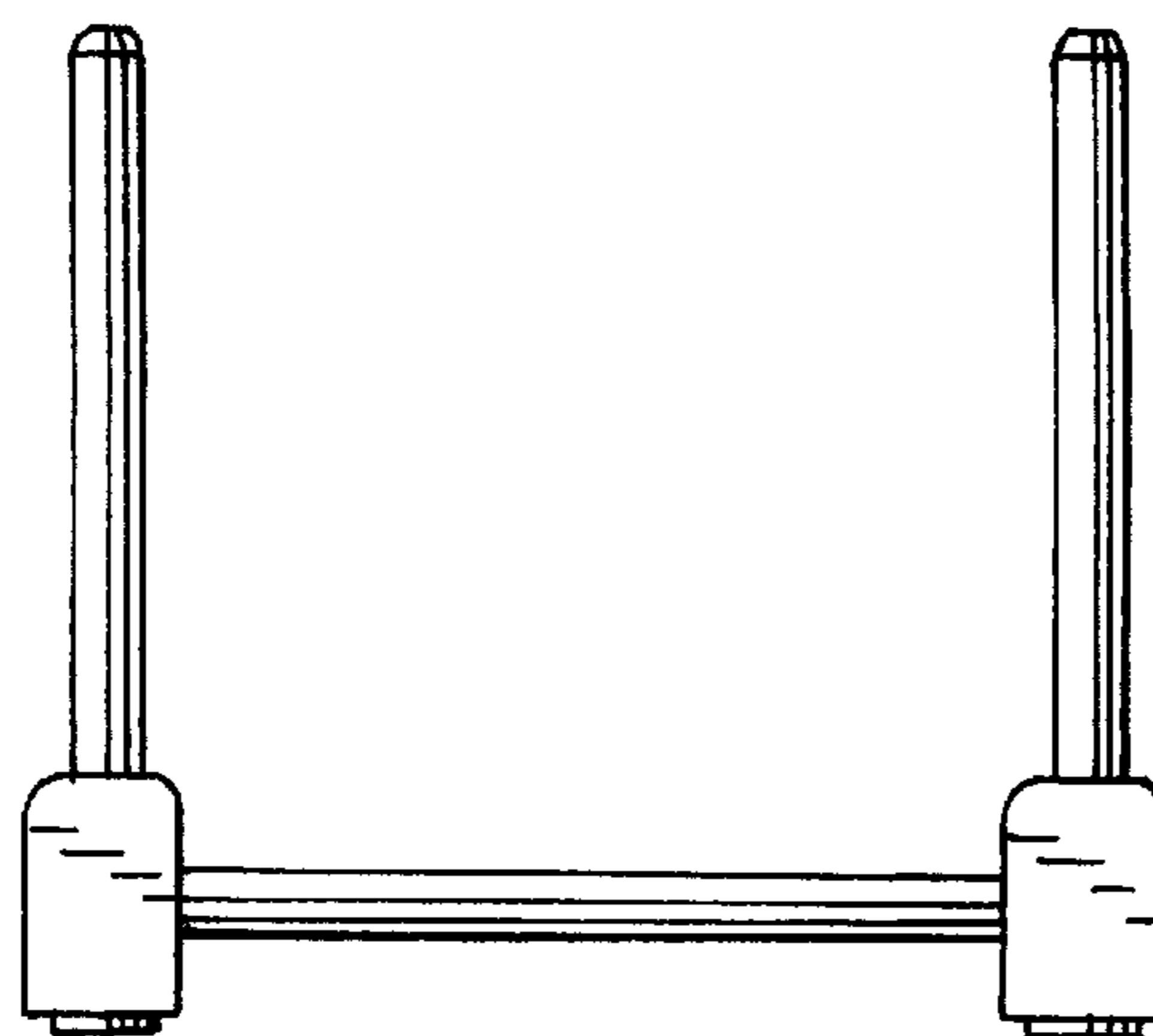


FIG. 39

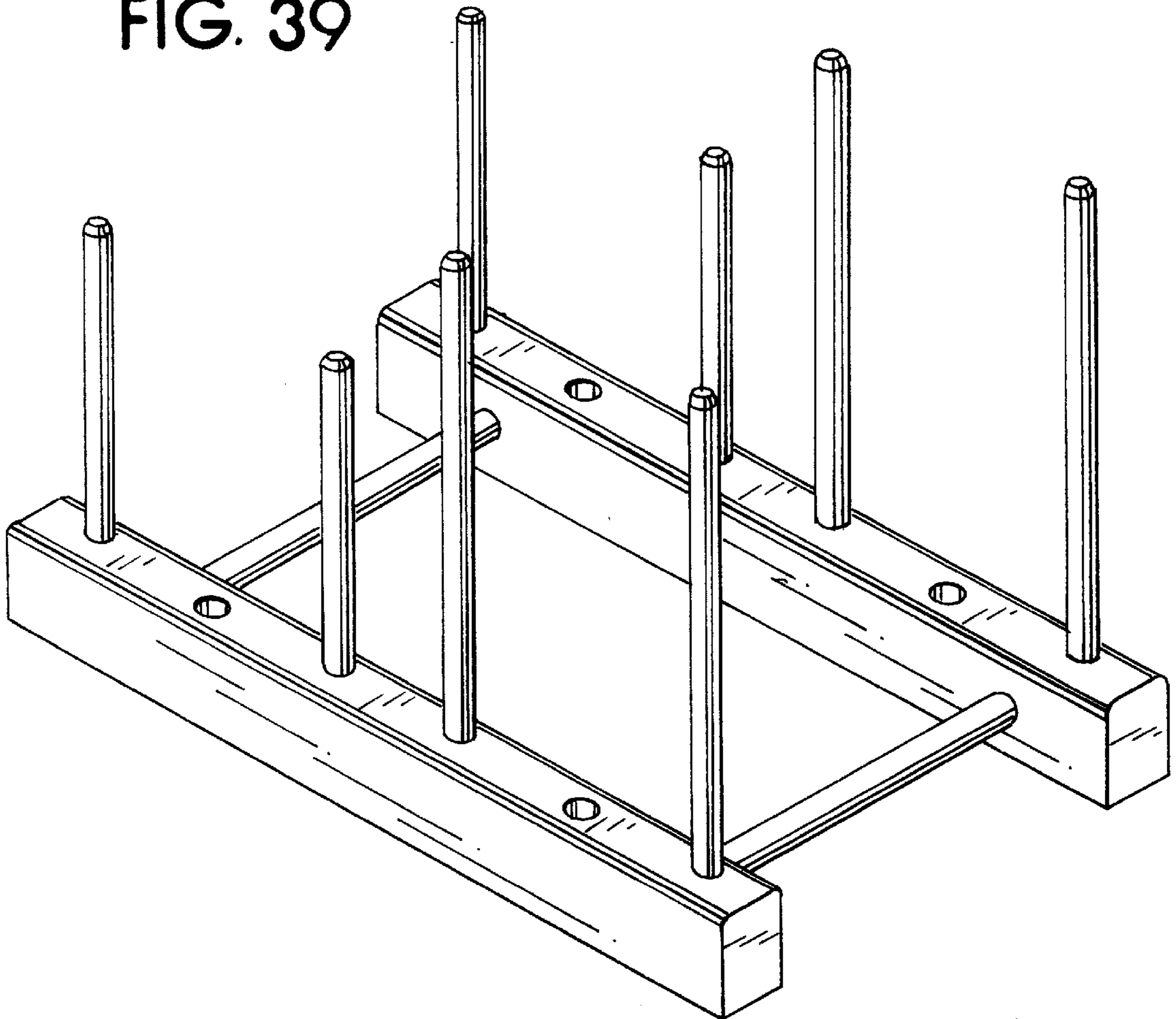


FIG. 40

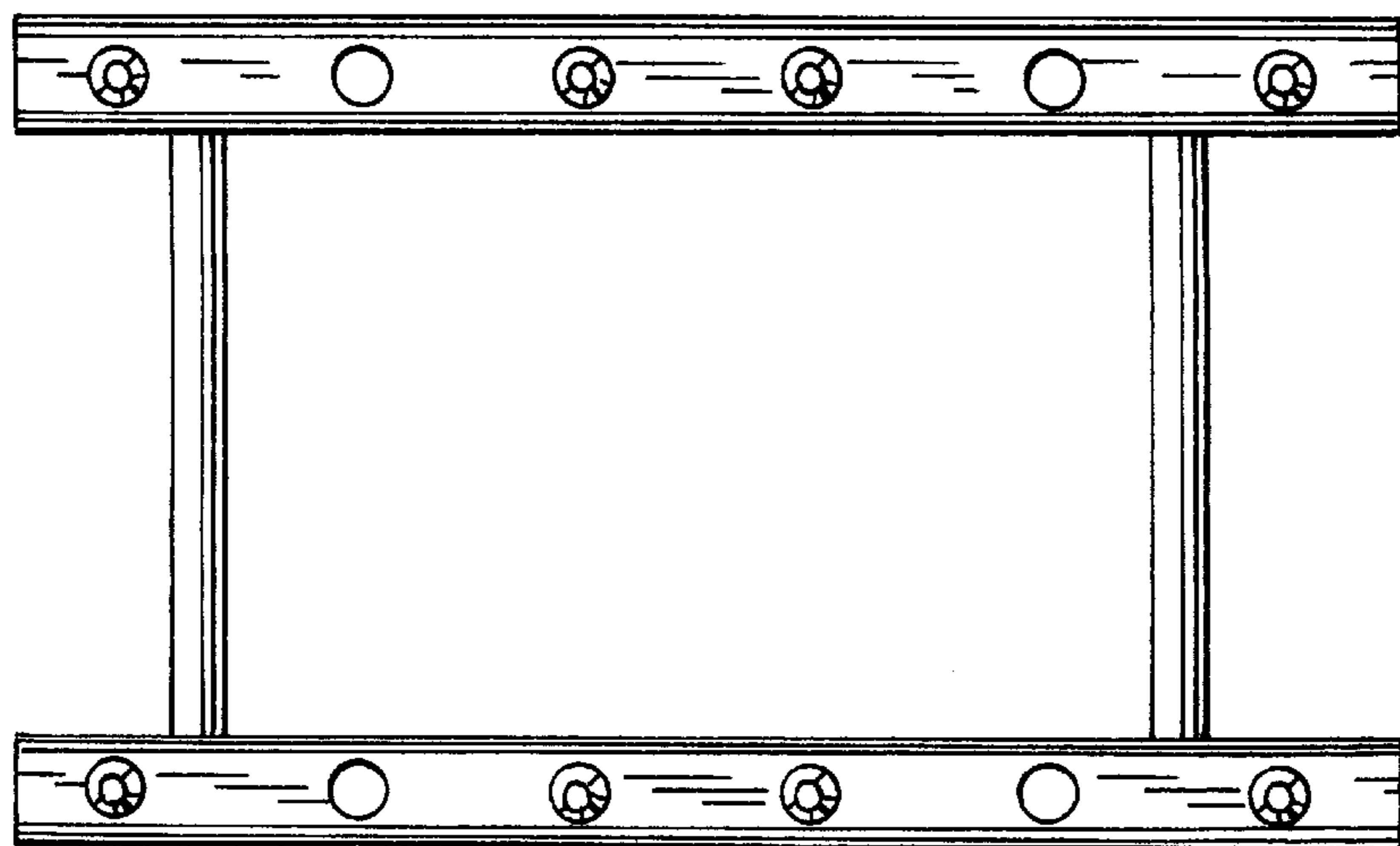


FIG. 41

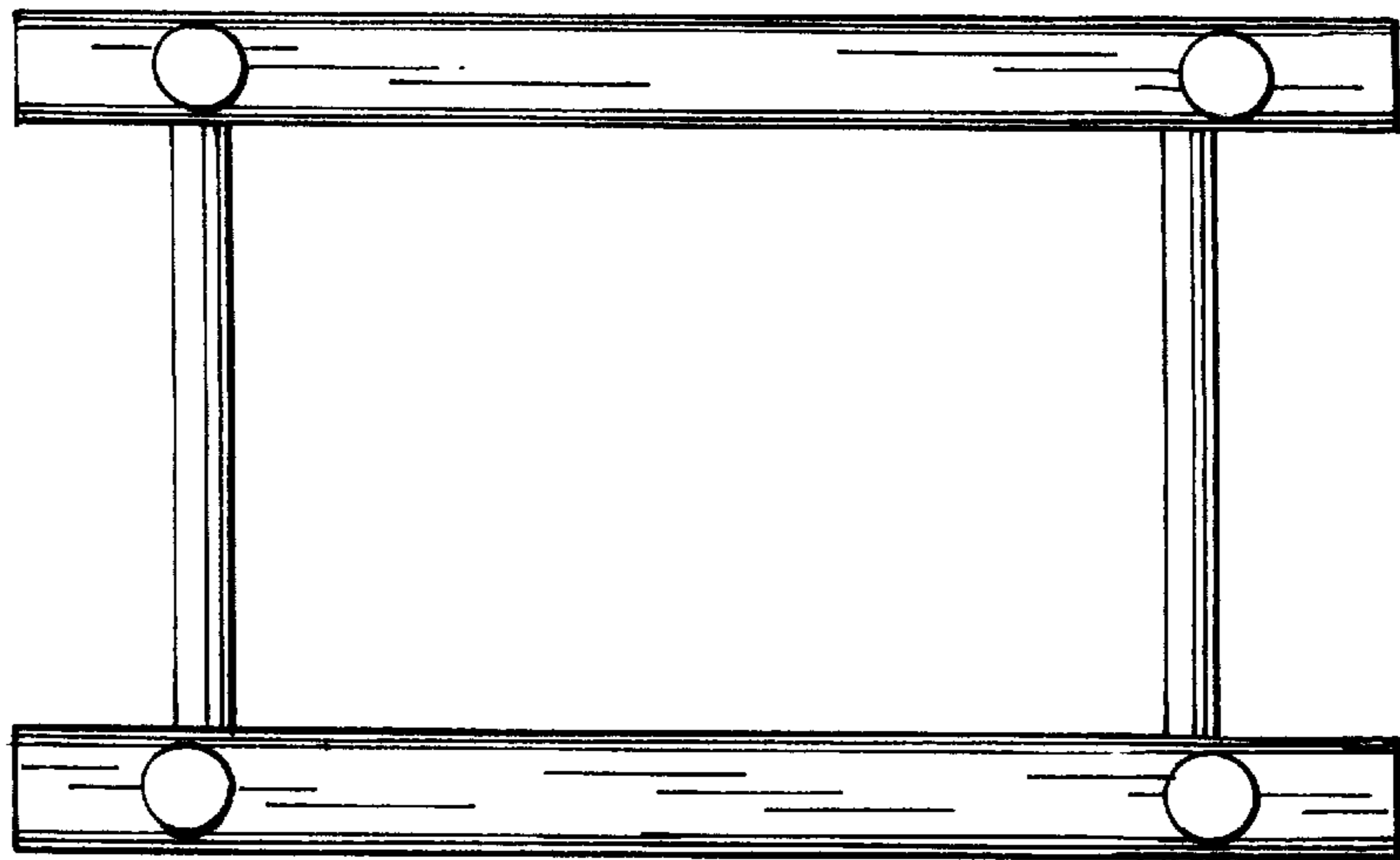


FIG. 42

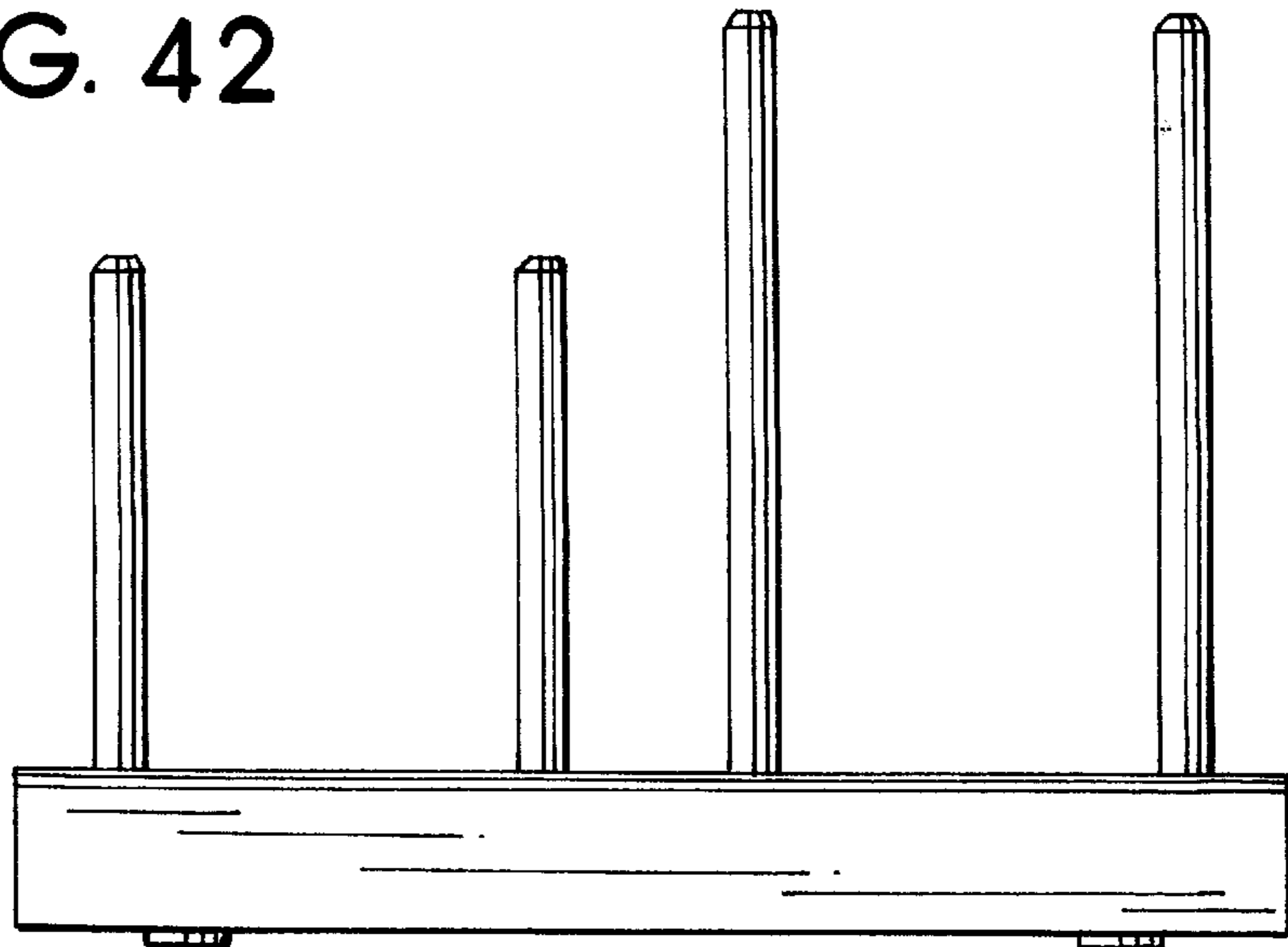


FIG. 43

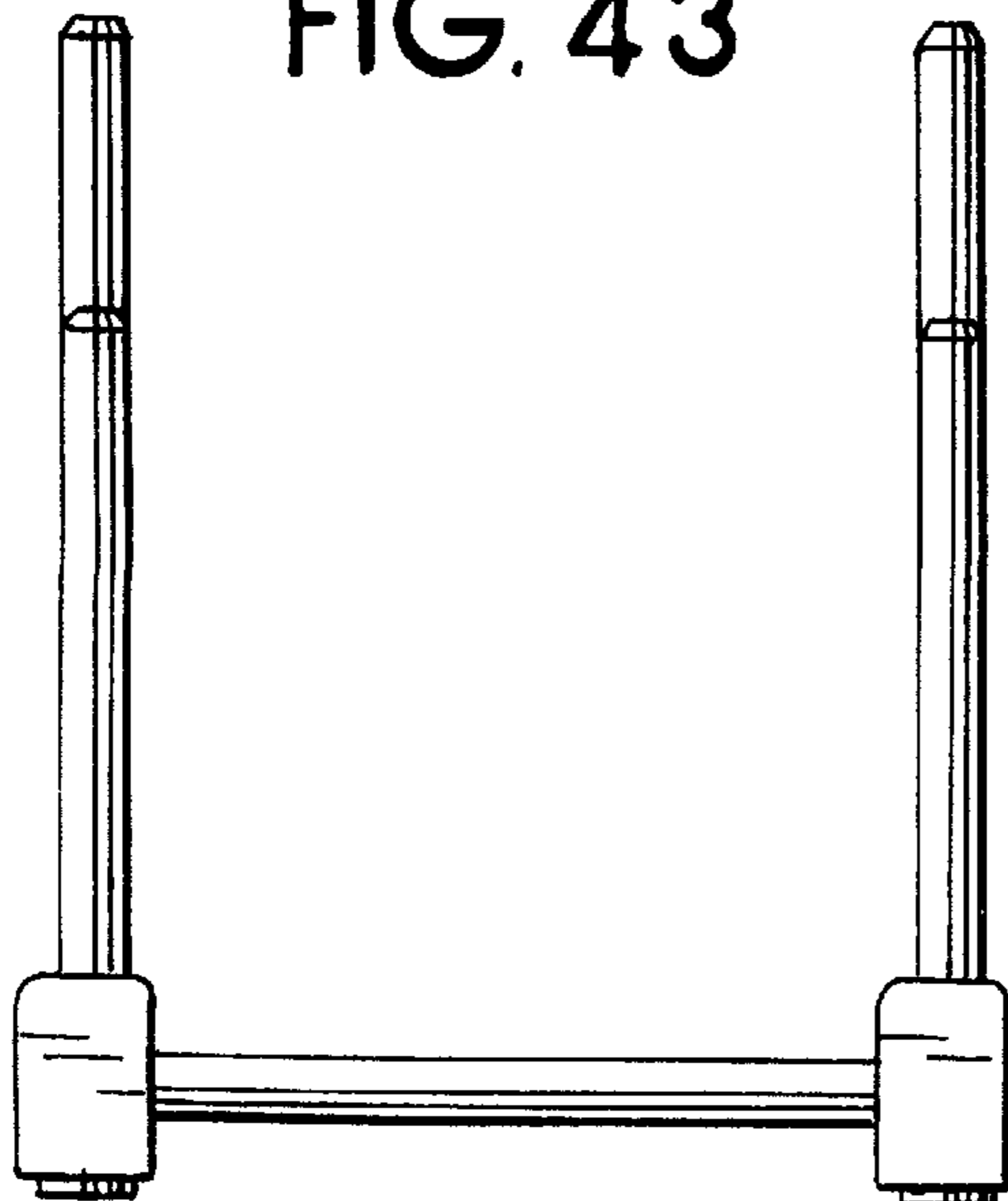


FIG. 44

