



US00D449405B1

(12) **United States Design Patent**
Gersten et al.

(10) **Patent No.:** **US D449,405 S**

(45) **Date of Patent:** **** Oct. 16, 2001**

(54) **ANTIPERSPIRANT AND/OR DEODORANT PRODUCT**

(75) Inventors: **Iris Davis Gersten**, Gaithersburg;
Hermes van der Lee, Ashton; **James L. Solan**, Rockville, all of MD (US)

(73) Assignee: **The Gillette Company**, Boston, MA (US)

(**) Term: **14 Years**

(21) Appl. No.: **29/131,879**

(22) Filed: **Oct. 30, 2000**

(51) **LOC (7) Cl.** **28-03**

(52) **U.S. Cl.** **D28/4**

(58) **Field of Search** D28/4, 7, 8.1,
D28/76, 77; D9/337, 338, 520, 558, 414,
424; 132/317, 318, 320; 206/385, 581,
823; 401/6, 17, 35, 49-98, 170-182; 424/78.02,
78.01, 63-68, 401; 510/146

(56) **References Cited**

U.S. PATENT DOCUMENTS

D. 423,713	*	4/2000	Szekely	D28/1
964,422	*	7/1910	Hood	401/49
1,669,016	*	5/1928	O'Neil	424/67
2,165,420	*	7/1939	Seifert	401/261
2,980,083		1/1961	Bell	.	
3,294,692	*	12/1966	Kelly et al.	510/146
4,120,948		10/1978	Shelton	.	
4,202,879		5/1980	Shelton	.	
4,393,643		7/1983	Fryar et al.	.	
4,511,552		4/1985	Cox	.	
4,743,443		5/1988	Pisani et al.	.	
5,217,639		6/1993	Mottola	.	
5,330,751		7/1994	Curtin et al.	.	
5,417,964		5/1995	Carlson, Sr. et al.	.	
5,538,161	*	7/1996	Koehler et al.	222/46
5,587,153		12/1996	Angelone, Jr. et al.	.	
5,705,171		1/1998	Iovanni et al.	.	
5,965,501		10/1999	Rattinger	.	
6,096,296	*	8/2000	Alflen et al.	425/65

FOREIGN PATENT DOCUMENTS

199 21 183 11/2000 (DE) .
WO 99/23998 5/1999 (WO) .

OTHER PUBLICATIONS

The Body Shop Skin & Hair Care Products catalog holiday edition c 1995; p. 16: makeup indicated by arrows.*
"bac deo-stick", undated photos.

* cited by examiner

Primary Examiner—Philip S. Hyder

Assistant Examiner—C Tuttle

(74) *Attorney, Agent, or Firm*—Fish & Richardson P.C.

(57) **CLAIM**

The ornamental design for an antiperspirant and/or deodorant product, as shown and described.

DESCRIPTION

FIG. 1 is a perspective view of an antiperspirant and/or deodorant product showing the new design;

FIG. 2 is a top plan view of the antiperspirant and/or deodorant product of FIG. 1;

FIG. 3 is a front elevation view of the antiperspirant and/or deodorant product of FIG. 1, the rear elevation view being a mirror image thereof;

FIG. 4 is a side elevation view of the antiperspirant and/or deodorant product of FIG. 1, the other side elevation view being a mirror image thereof;

FIG. 5 is a perspective view of a second embodiment of the antiperspirant and/or deodorant product; and,

FIG. 6 is a top plan view of the antiperspirant and/or deodorant product of FIG. 5.

The inner elliptical broken line which defines the outer boundary of the claimed design forms no part thereof. The broken lines showing the container underlying the broken line boundary are for illustrative purposes only and form no part of the claimed design.

The stippling represents a surface having a color that contrasts with the color of the surface that does not include stippling.

1 Claim, 4 Drawing Sheets

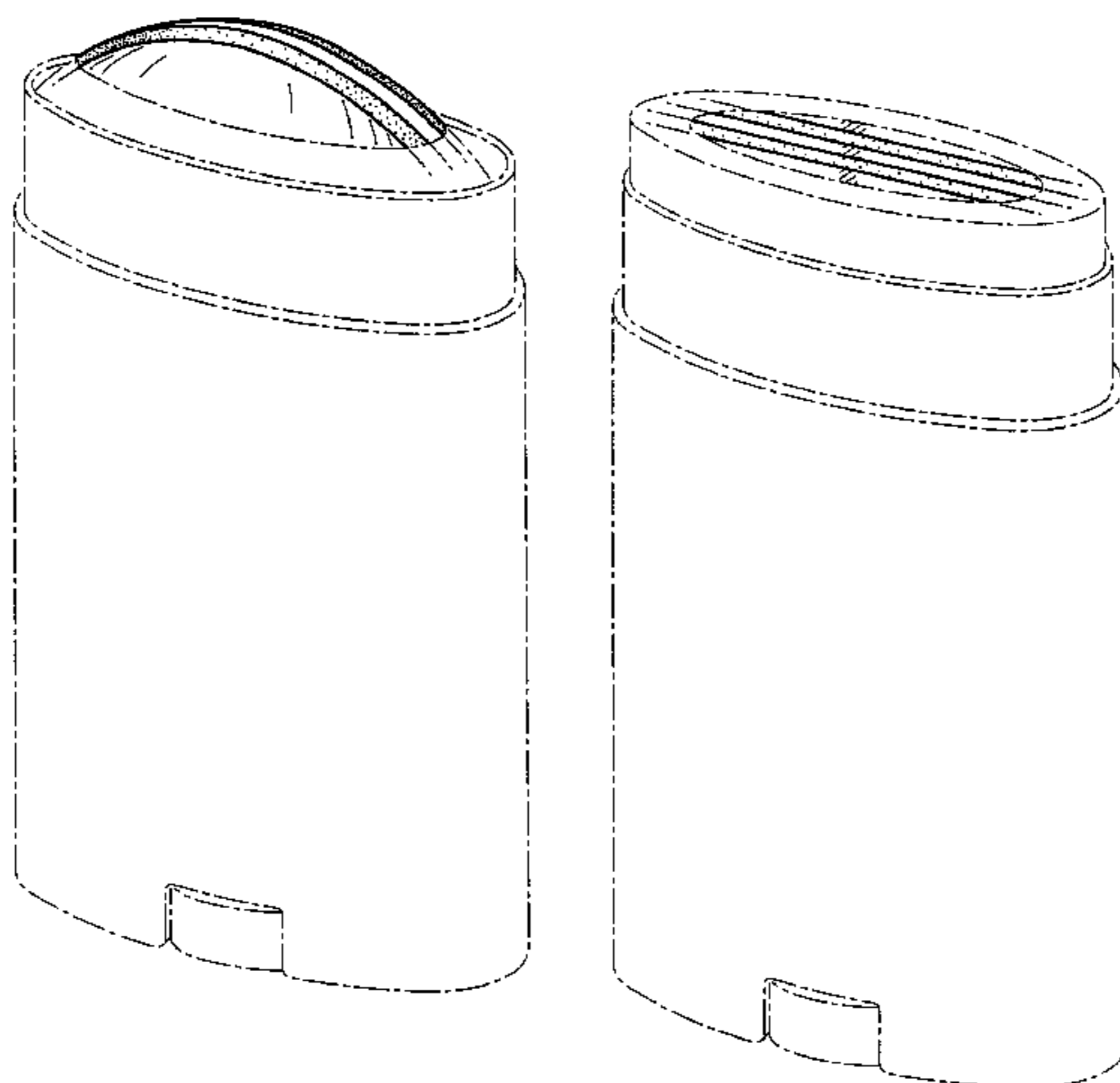


FIG. 1

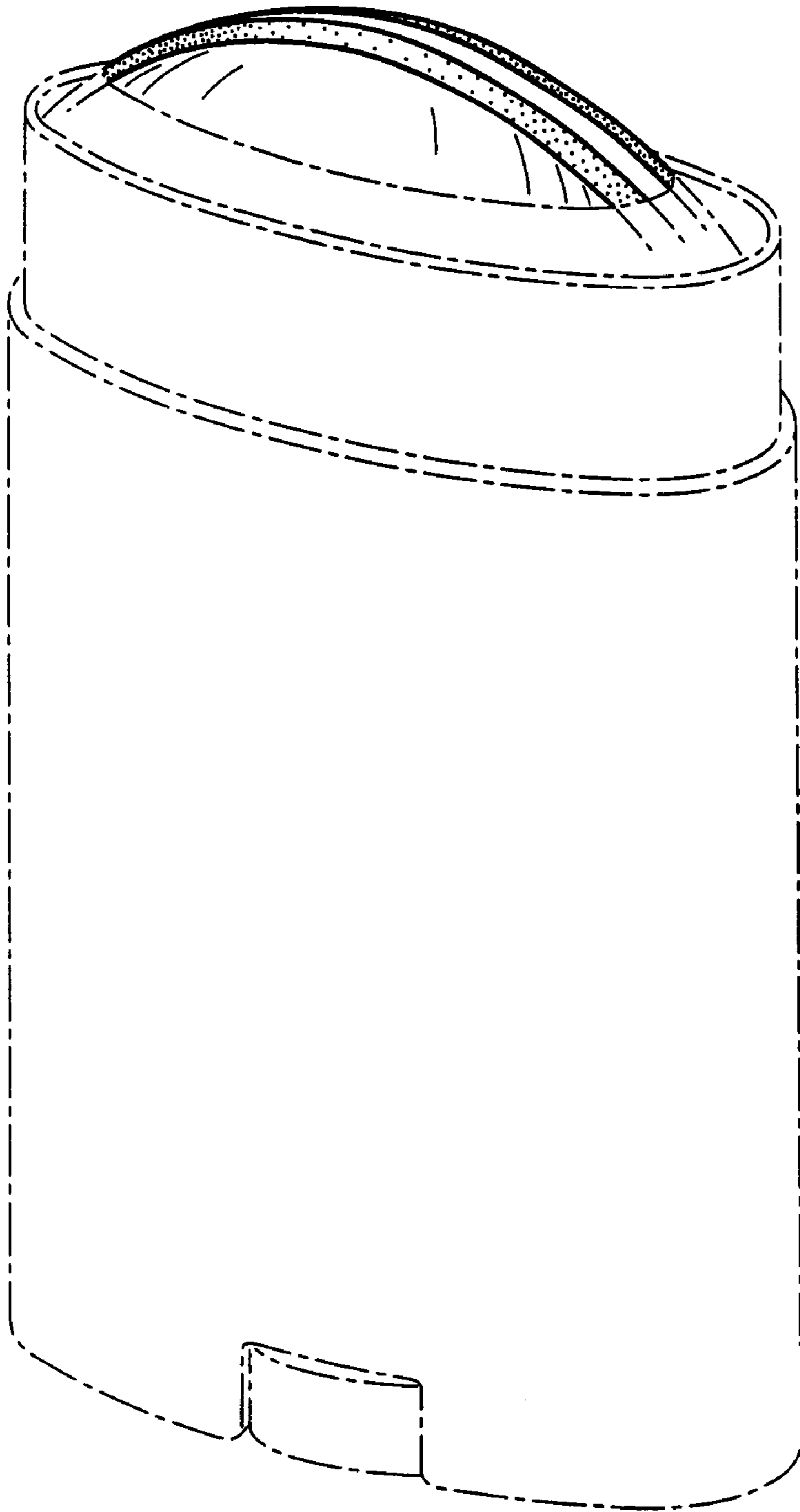


FIG. 2

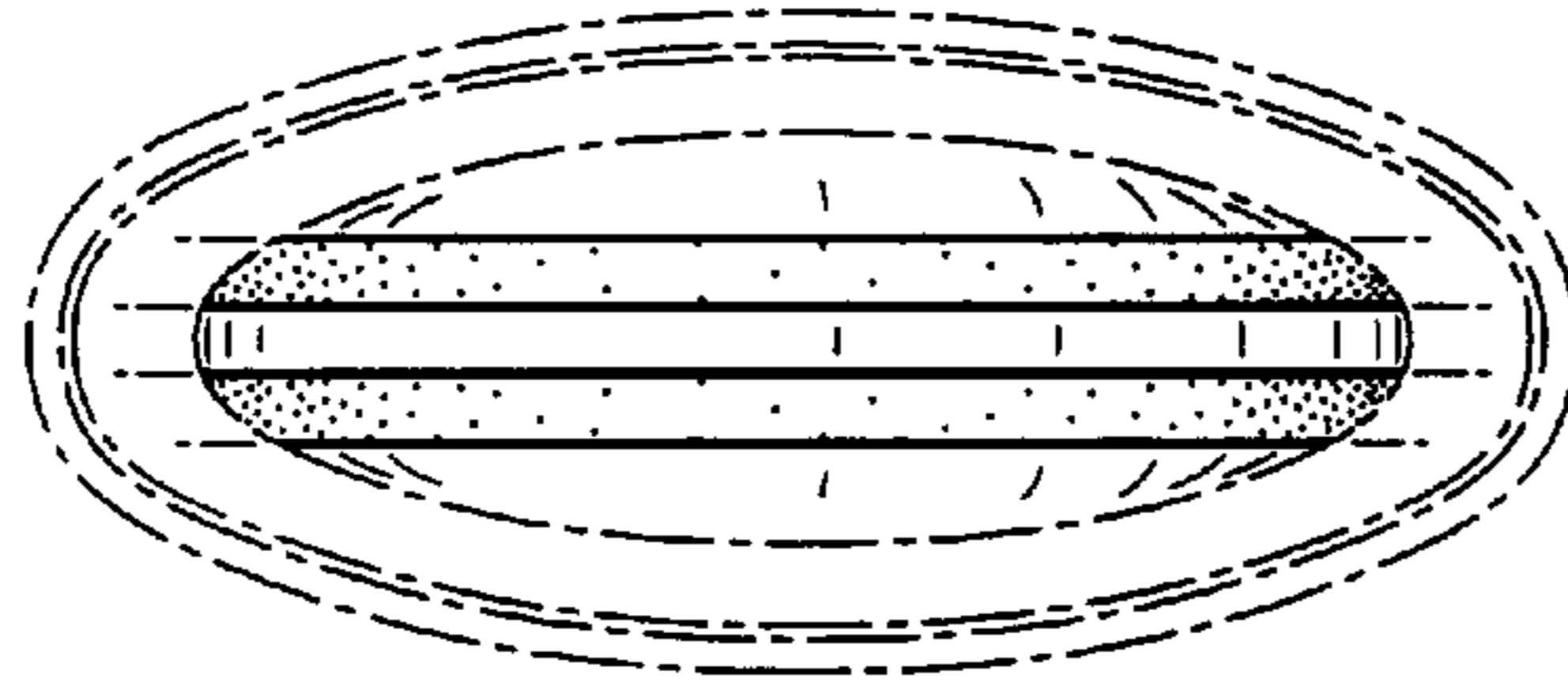


FIG. 3

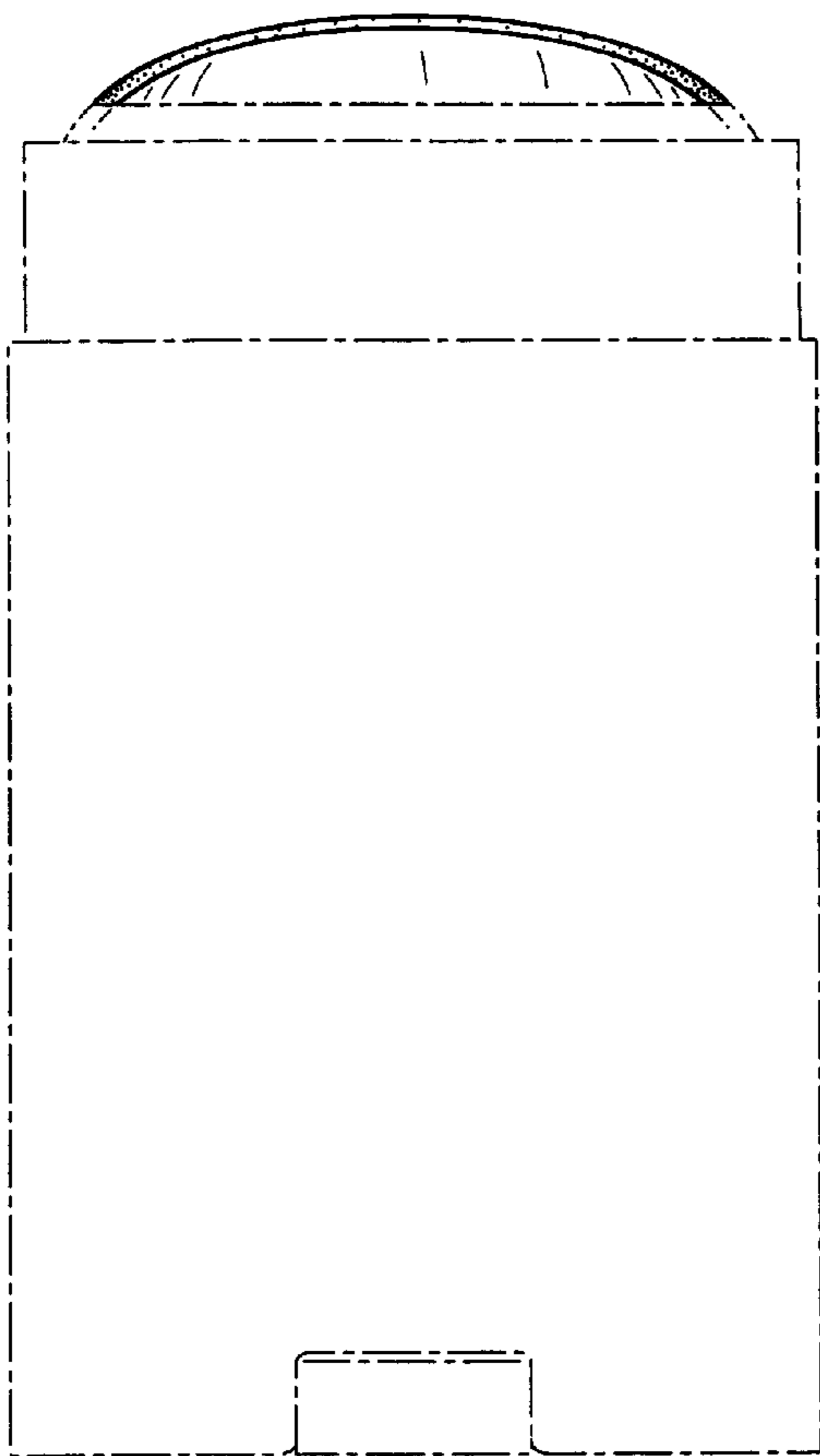


FIG. 4

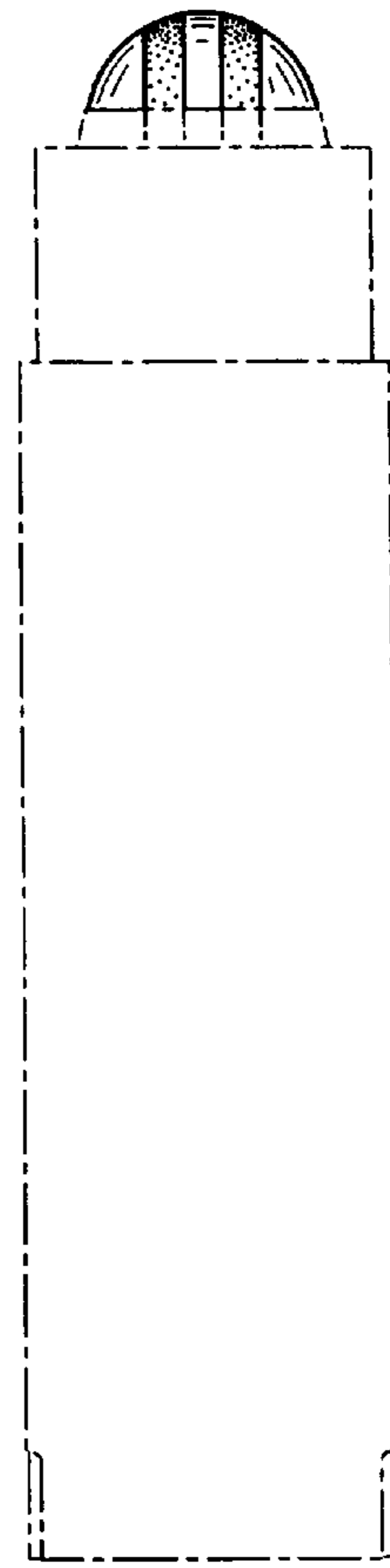


FIG. 5

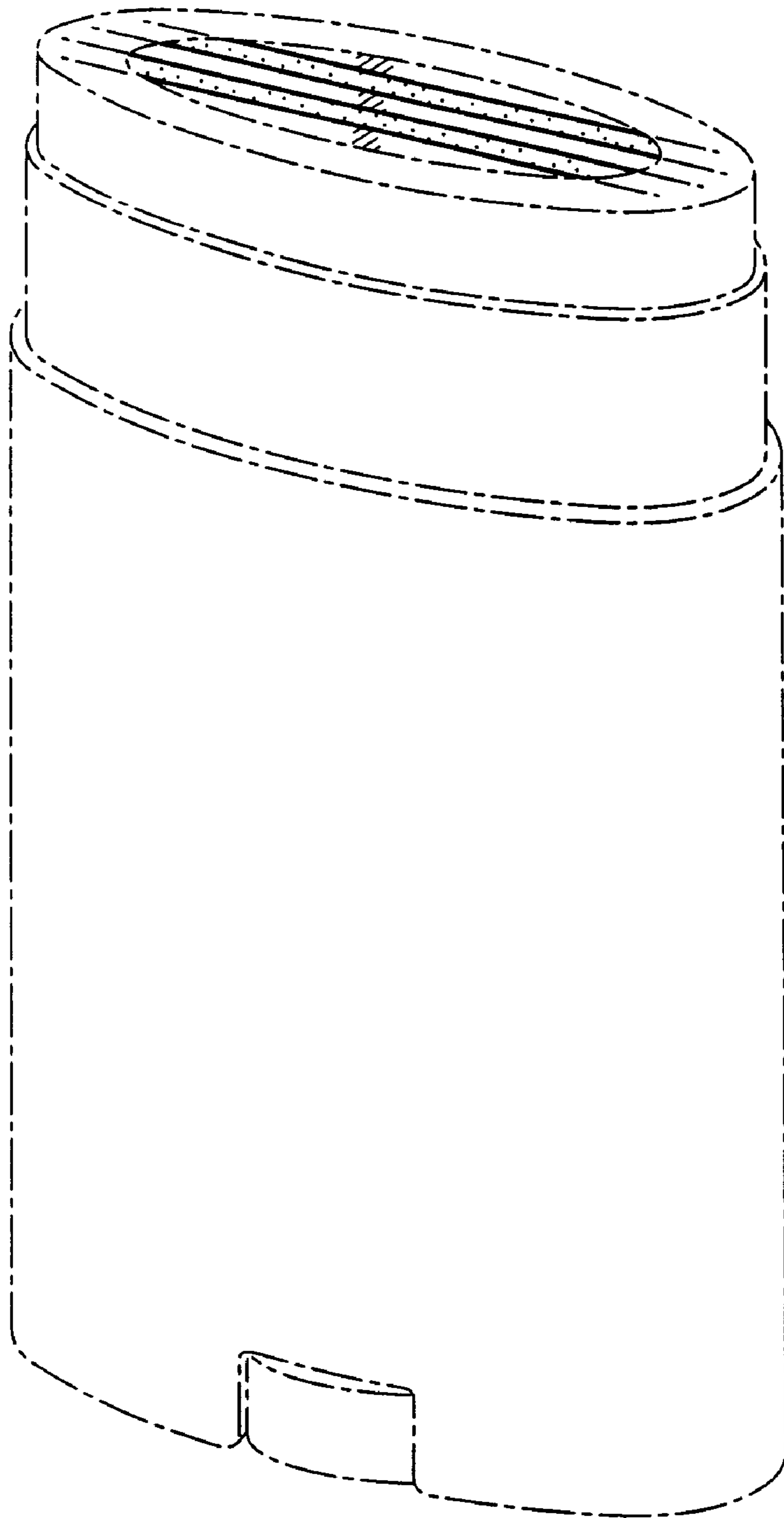


FIG. 6

