



US00D449403B1

(12) **United States Design Patent**
Yang

(10) **Patent No.:** **US D449,403 S**

(45) **Date of Patent:** **** Oct. 16, 2001**

(54) **WALL LIGHTING FIXTURE**

(75) Inventor: **Ivy Yang**, Taipei (TW)

(73) Assignee: **Che-li Yang**, Taipei (TW)

(**) Term: **14 Years**

(21) Appl. No.: **29/138,310**

(22) Filed: **Mar. 12, 2001**

(51) **LOC (7) Cl.** **26-05**

(52) **U.S. Cl.** **D26/87**

(58) **Field of Search** D26/87, 92, 155;
362/147, 432

(56) **References Cited**

U.S. PATENT DOCUMENTS

D. 422,325 * 5/2000 Lee D26/142

OTHER PUBLICATIONS

Murray Feiss lighting catalog, Mar. 1995, p. FX136, wall lamp #VS2403.*

* cited by examiner

Primary Examiner—Susan J. Lucas

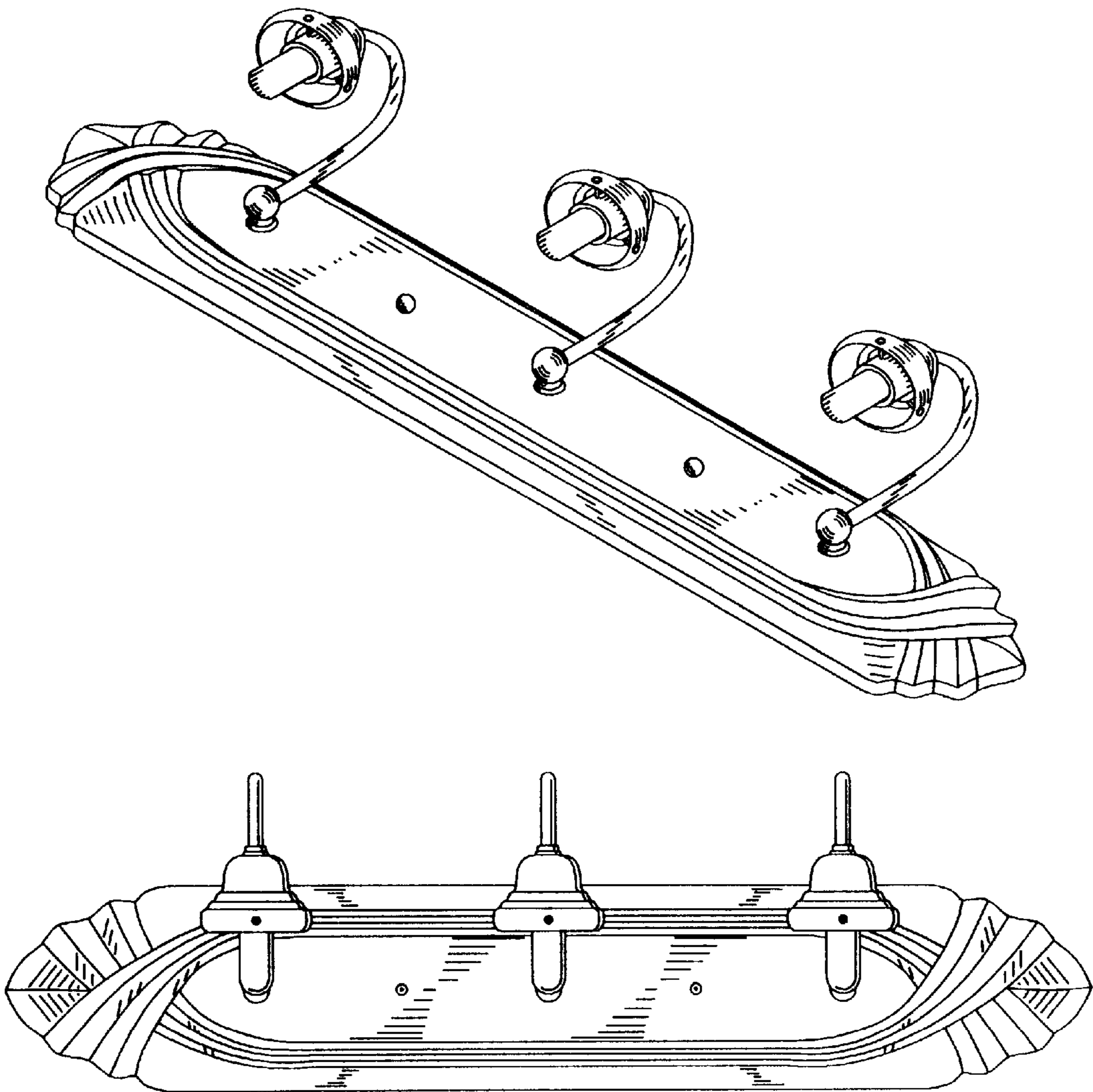
(57) **CLAIM**

The ornamental design for a wall lighting fixture, as shown and described.

DESCRIPTION

FIG. 1 is a perspective view thereof;
FIG. 2 is a front view thereof;
FIG. 3 is a back view thereof;
FIG. 4 is a right side view thereof;
FIG. 5 is a left side view thereof;
FIG. 6 is a top view thereof; and,
FIG. 7 is a bottom view thereof.

1 Claim, 4 Drawing Sheets



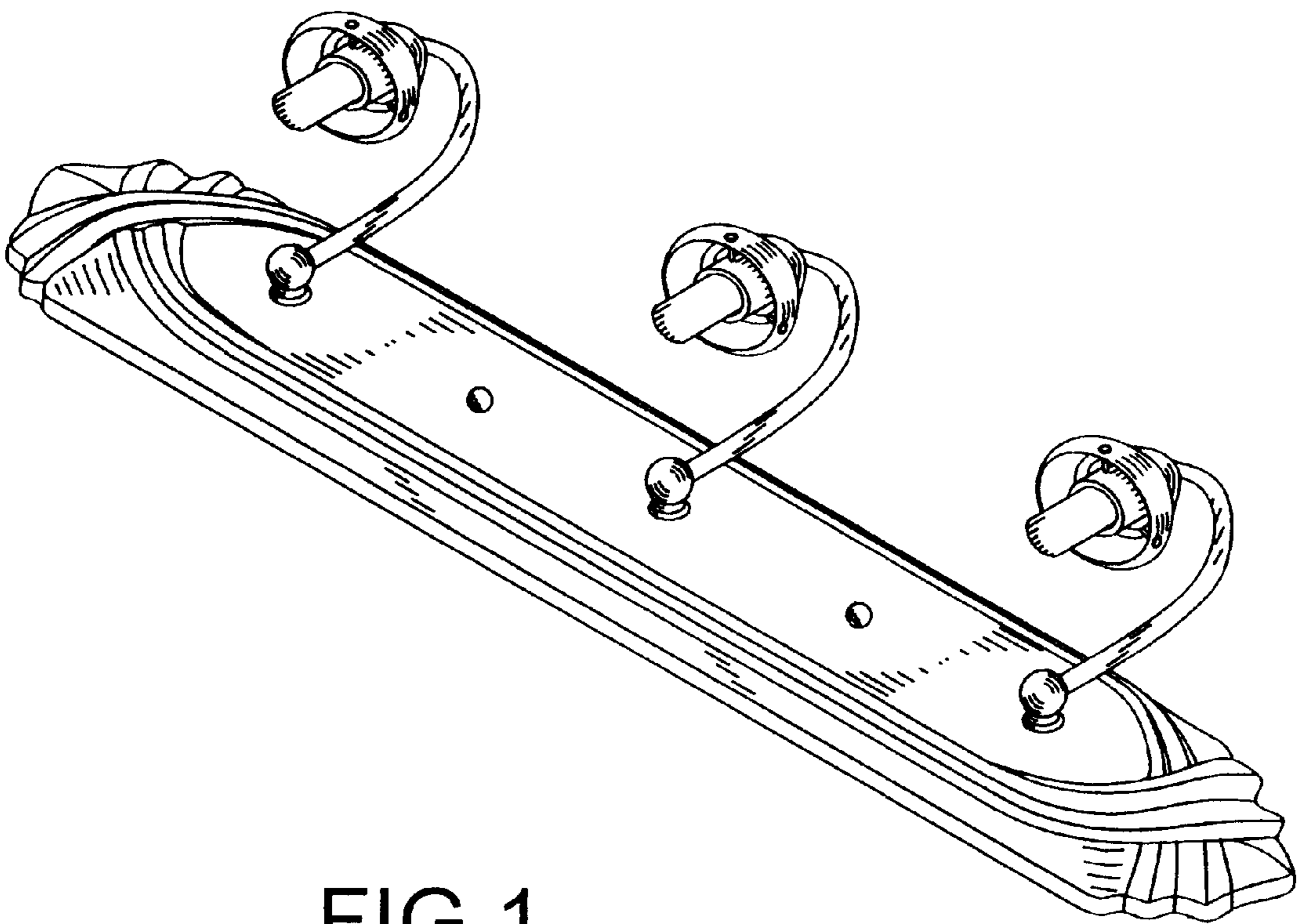


FIG.1

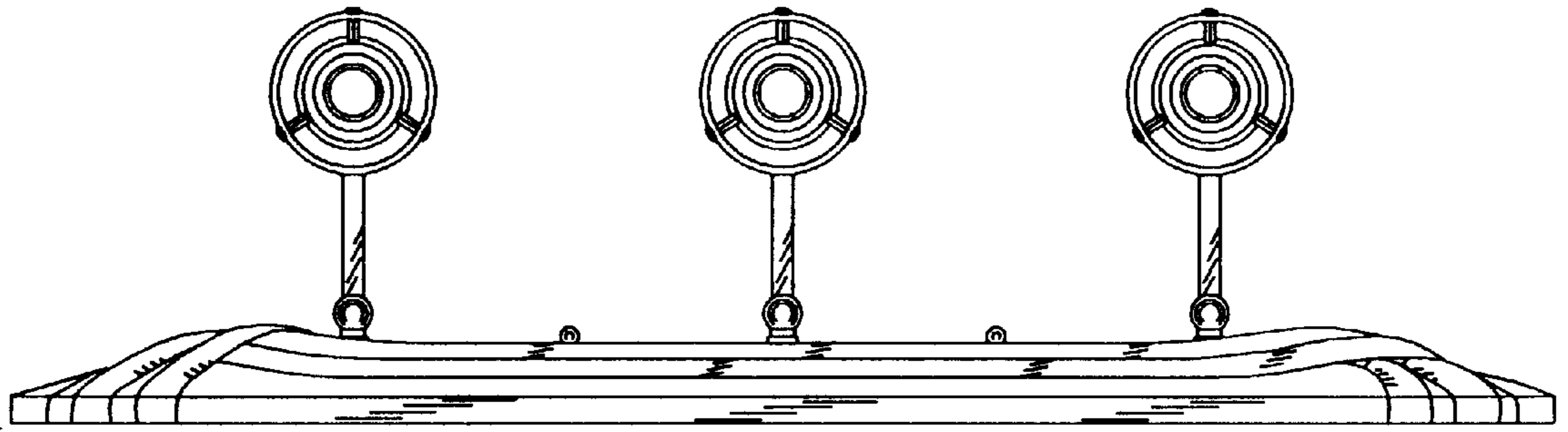


FIG. 2

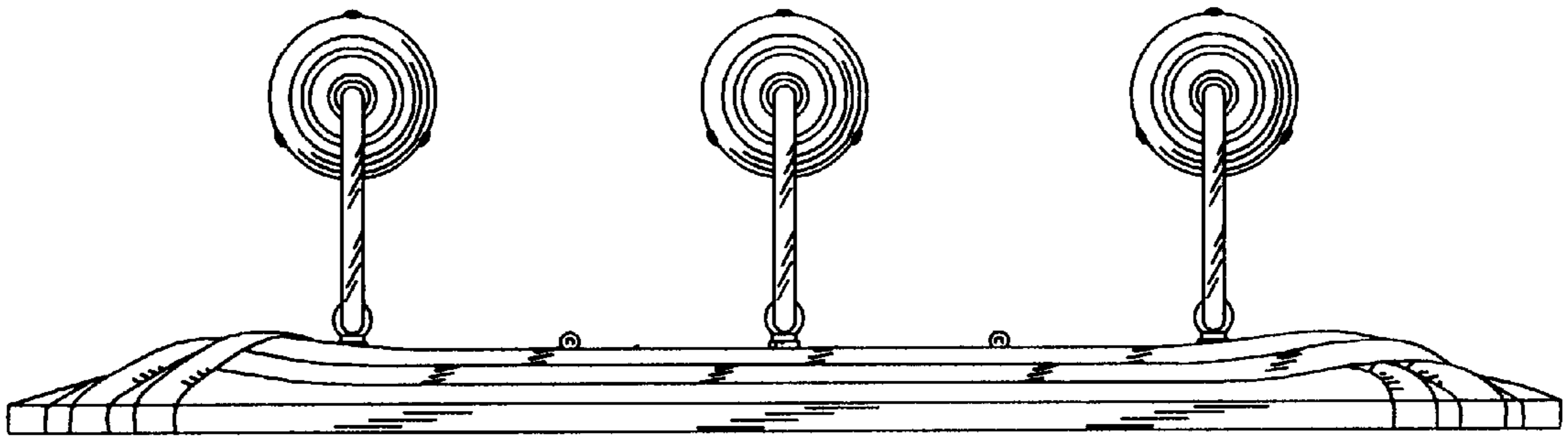


FIG. 3

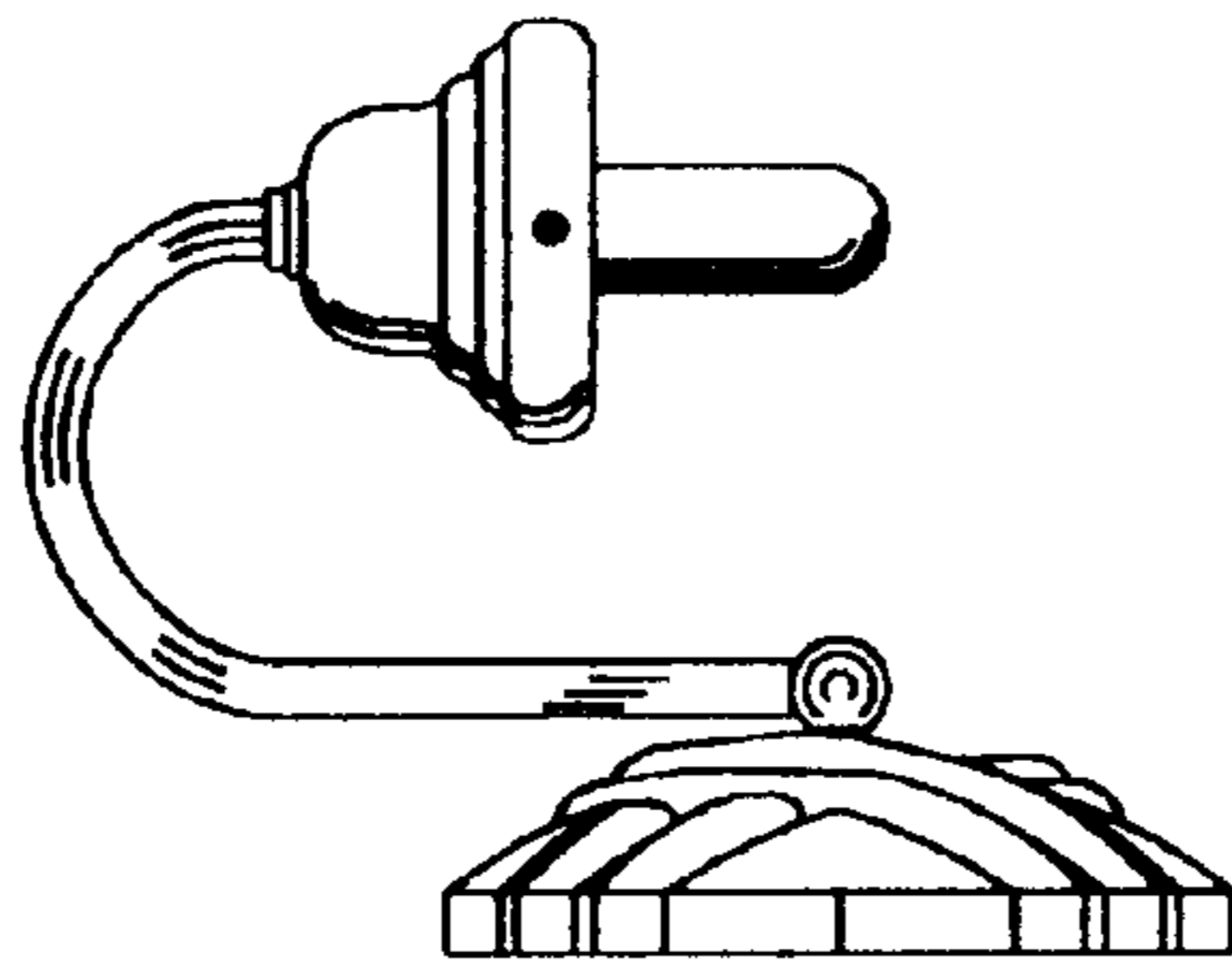


FIG. 4

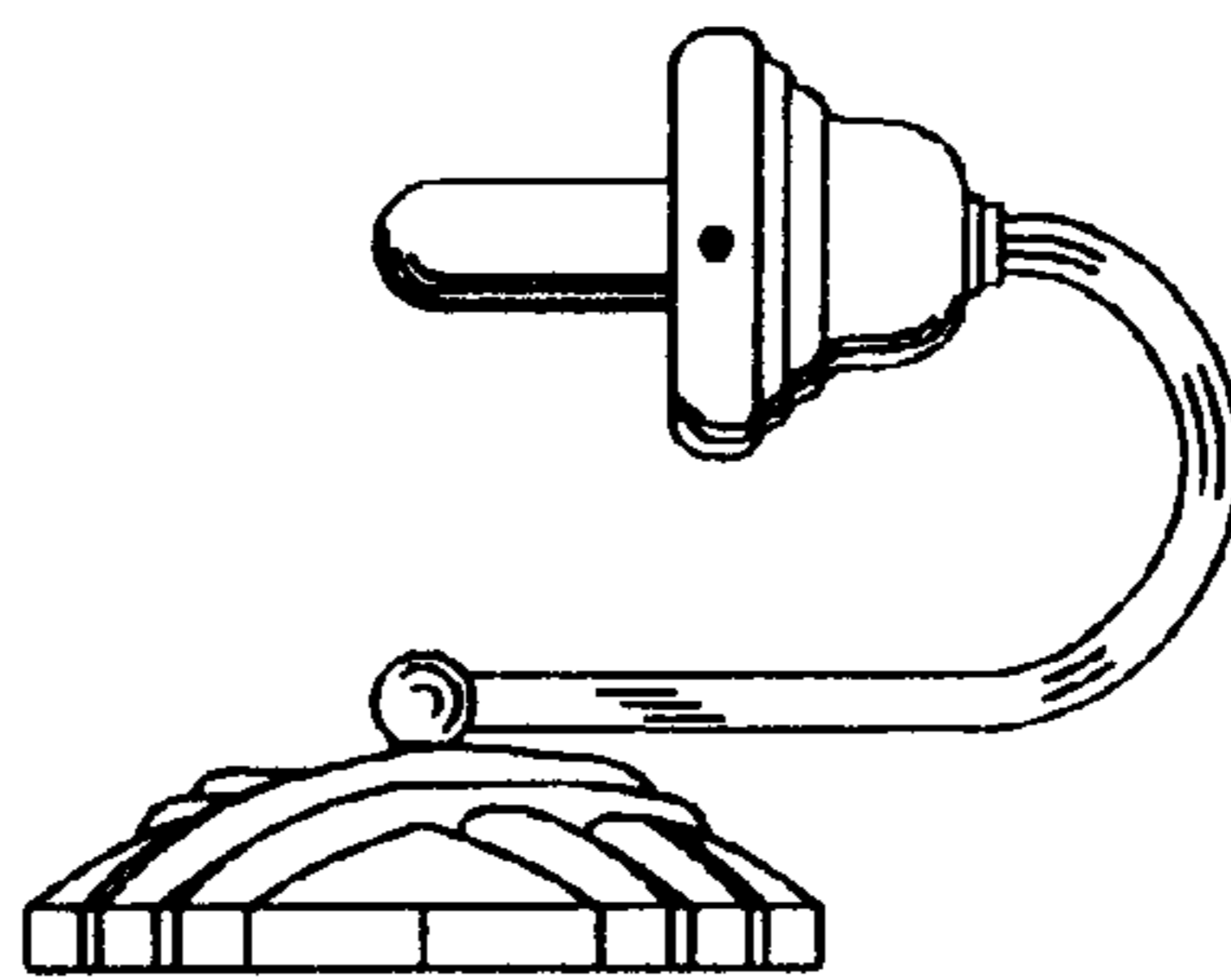


FIG. 5

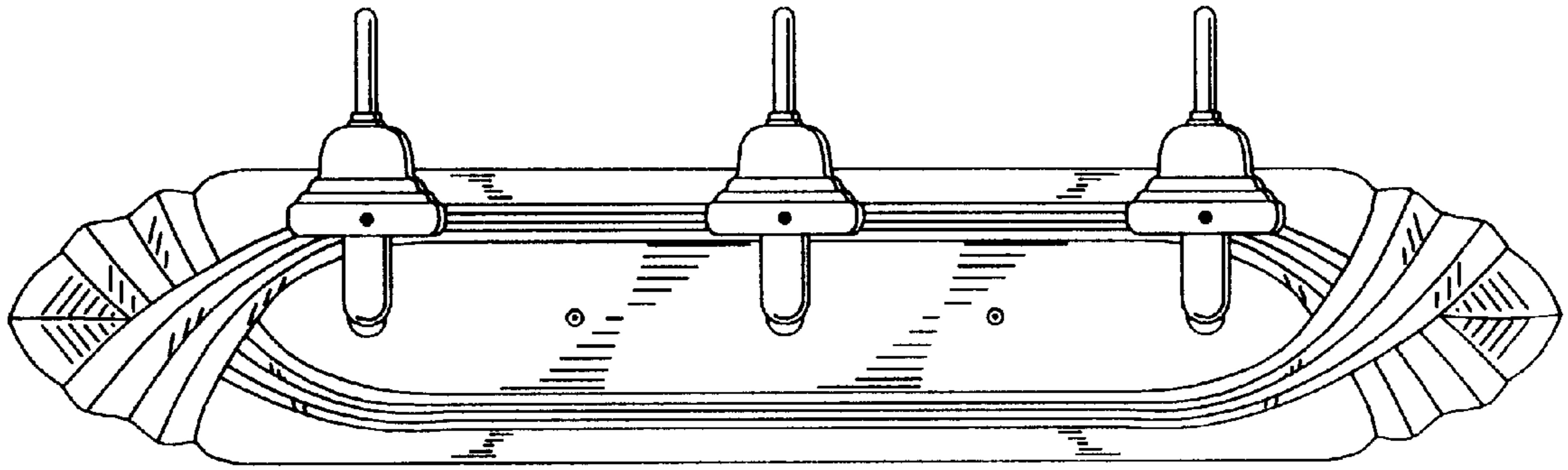


FIG. 6

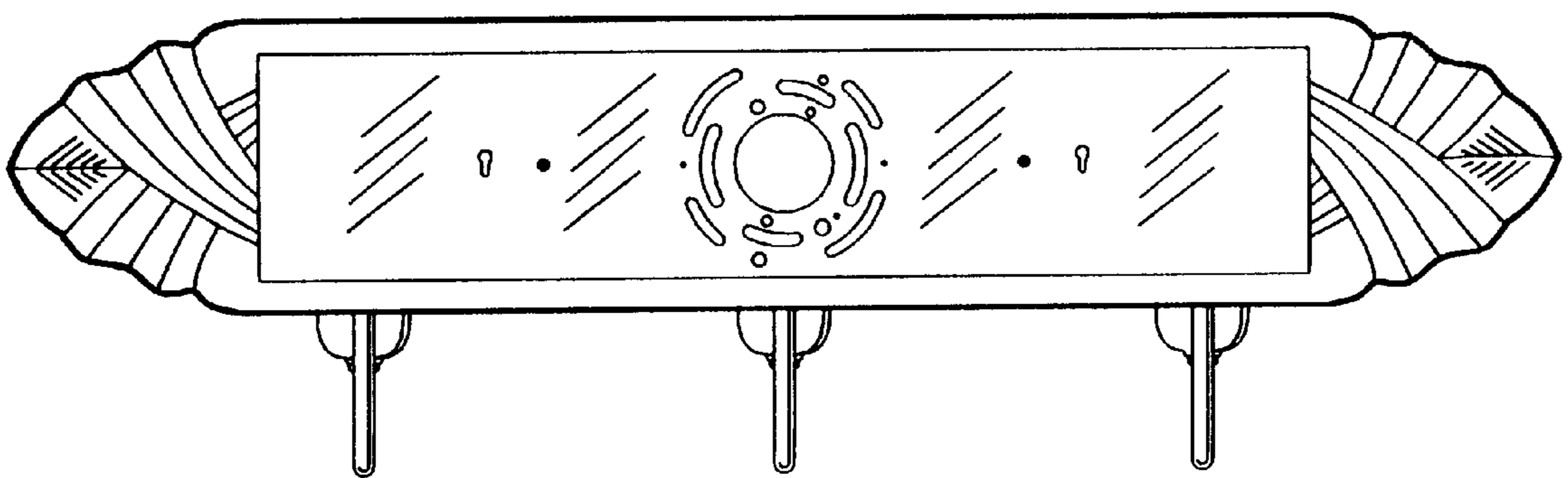


FIG. 7