



US00D449402B1

(12) **United States Design Patent**
Echito

(10) **Patent No.:** **US D449,402 S**

(45) **Date of Patent:** **** Oct. 16, 2001**

(54) **LOW PROFILE LIGHT FIXTURE**

D. 397,479 * 8/1998 Compton et al. D26/76
D. 397,485 * 8/1998 Kalthoff D26/76 X

(75) Inventor: **Cory Echito**, San Diego, CA (US)

OTHER PUBLICATIONS

(73) Assignee: **American Tack and Hardware**,
Monsey, NY (US)

Progress Lighting catalog, Jul. 1994, p. 135, fluorescent
lamp #P7017-30.*

(**) Term: **14 Years**

* cited by examiner

(21) Appl. No.: **29/139,747**

Primary Examiner—Susan J. Lucas

(22) Filed: **Apr. 5, 2001**

(74) *Attorney, Agent, or Firm*—Brown Martin Haller &
McClain

Related U.S. Application Data

(57) **CLAIM**

(63) Continuation of application No. 09/475,411, filed on Dec.
30, 1999, and application No. 29/127,686, filed on Aug. 9,
2000, now Pat. No. Des. 443,096.

The ornamental design for a low profile light fixture, as
shown.

(51) **LOC (7) Cl.** **26-05**

DESCRIPTION

(52) **U.S. Cl.** **D26/76**

FIG. 1 is a bottom perspective view of the low profile light
fixture;

(58) **Field of Search** D26/217, 218,
D26/219, 220, 221, 222, 223; 362/217,
218, 419, 220, 221, 222, 223

FIG. 2 is a an end view thereof;

FIG. 3 is a front view thereof;

FIG. 4 is a bottom plan view thereof;

FIG. 5 is a rear view thereof; and,

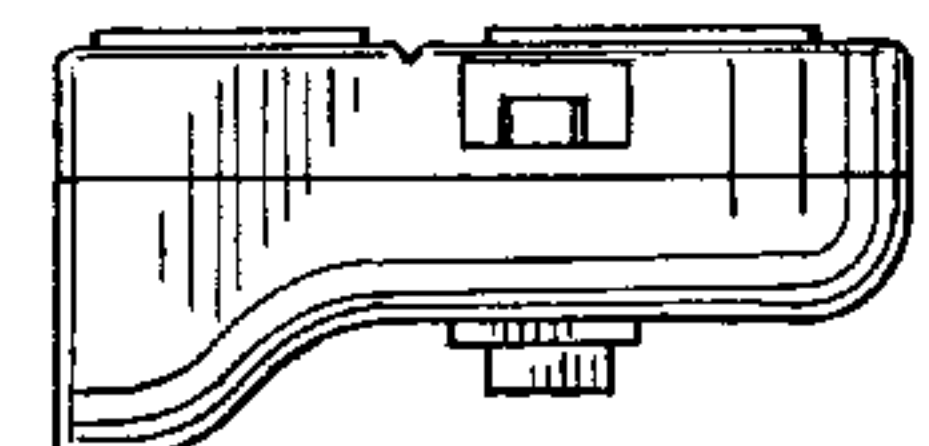
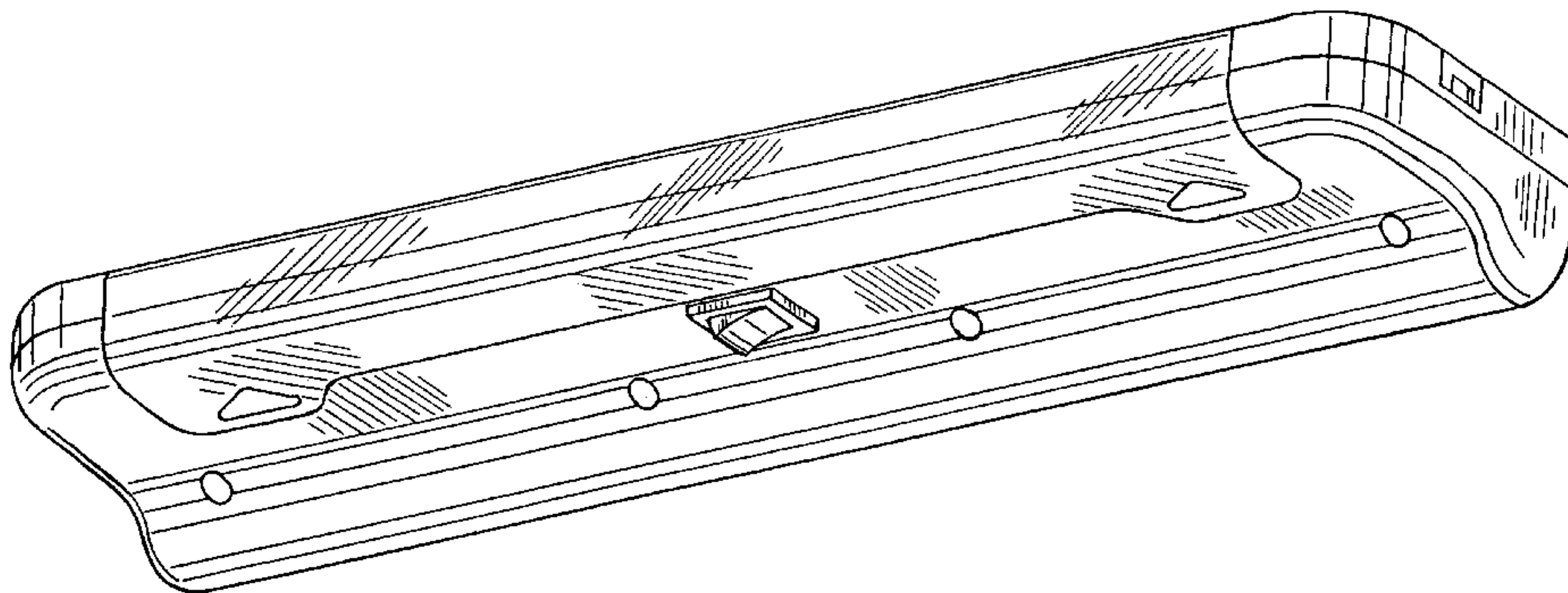
FIG. 6 is a plan view thereof.

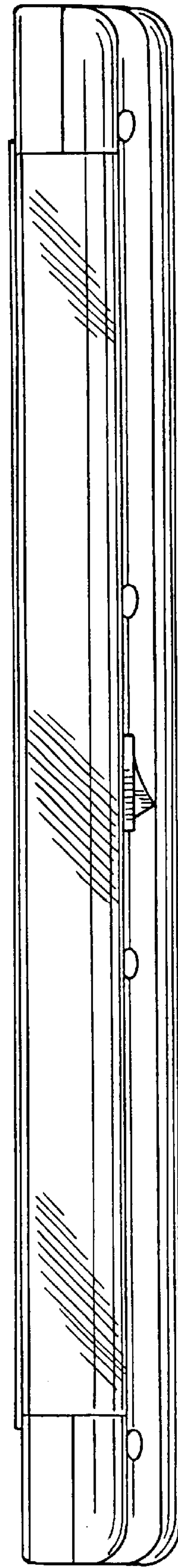
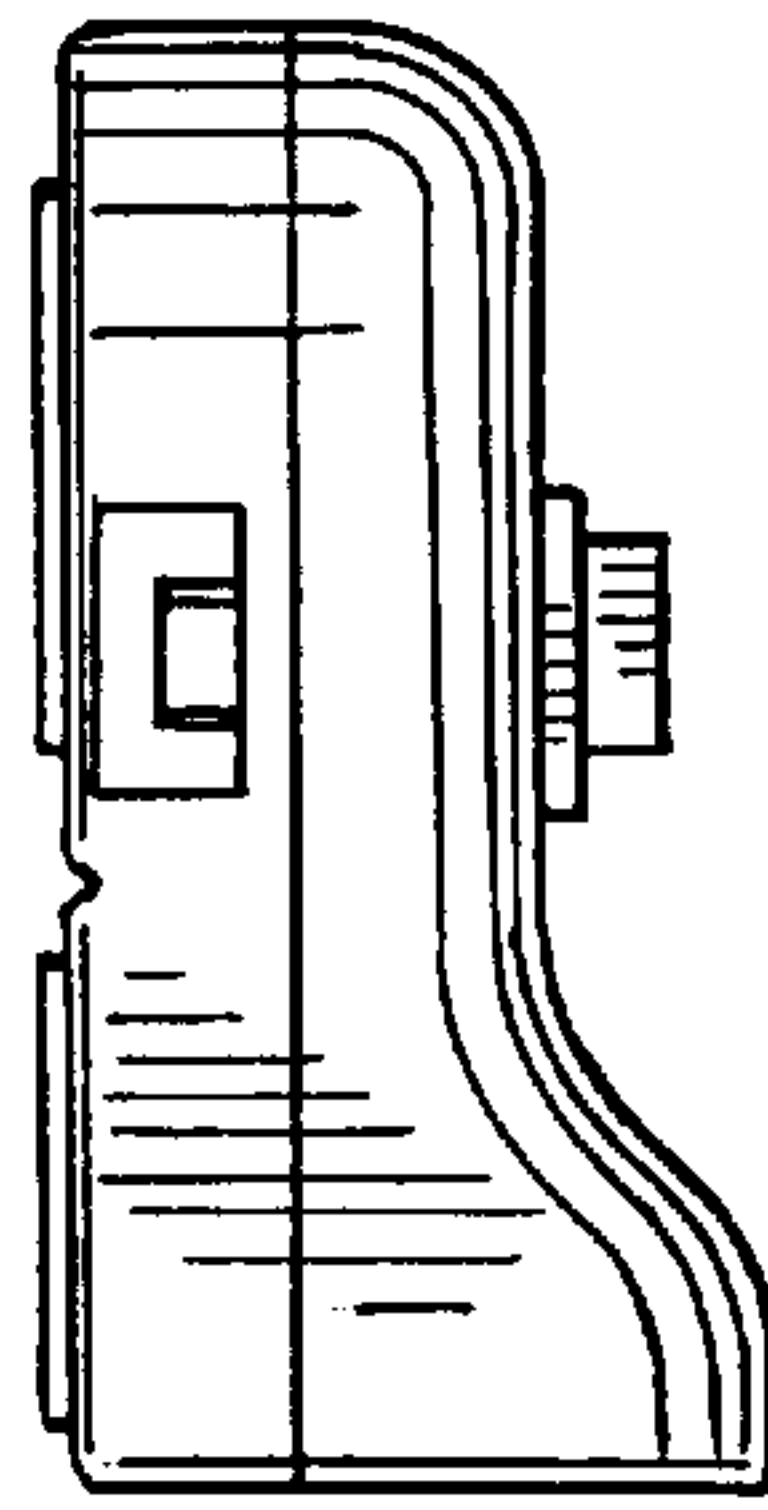
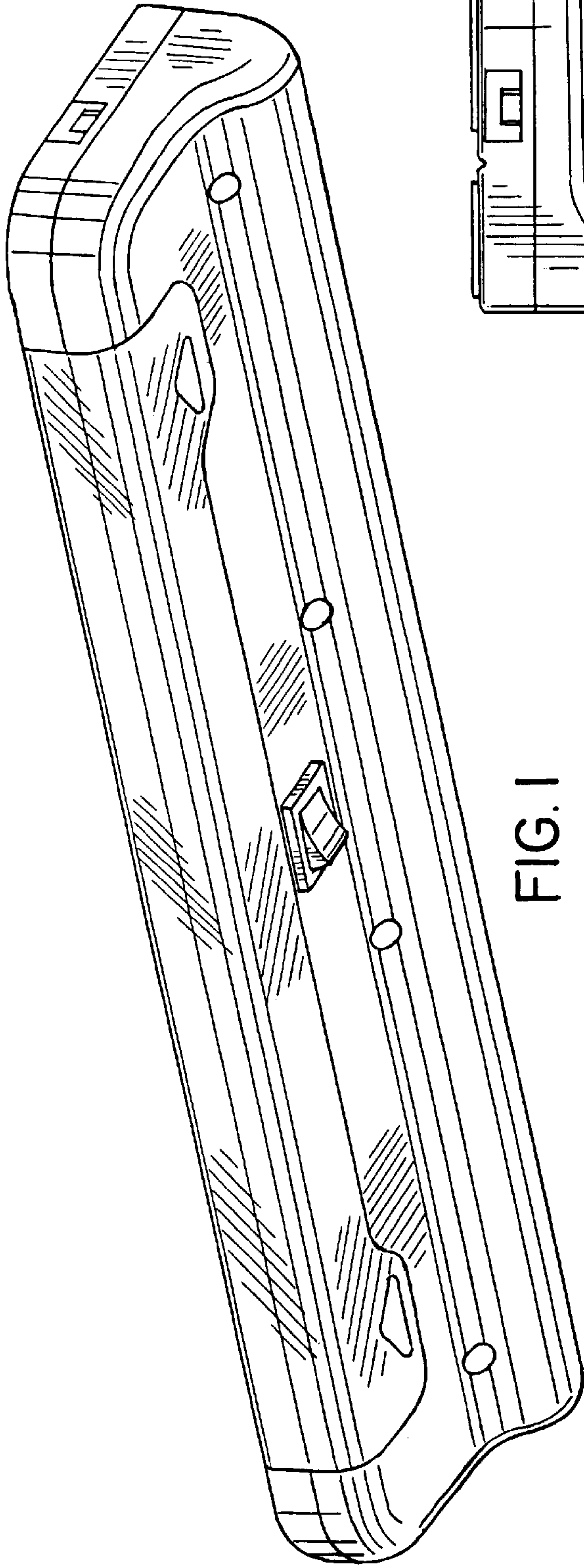
(56) **References Cited**

U.S. PATENT DOCUMENTS

D. 386,278 * 11/1997 Engle et al. D26/76

1 Claim, 2 Drawing Sheets





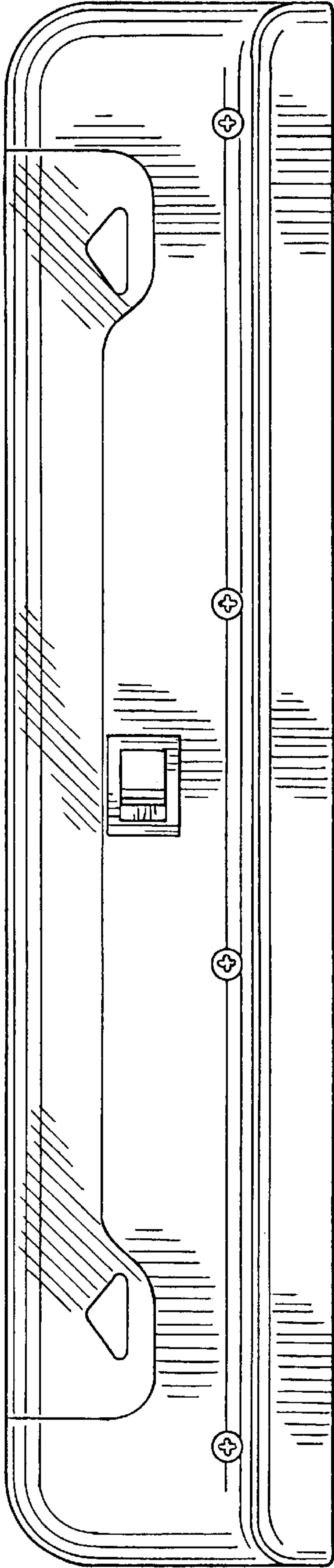


FIG. 4

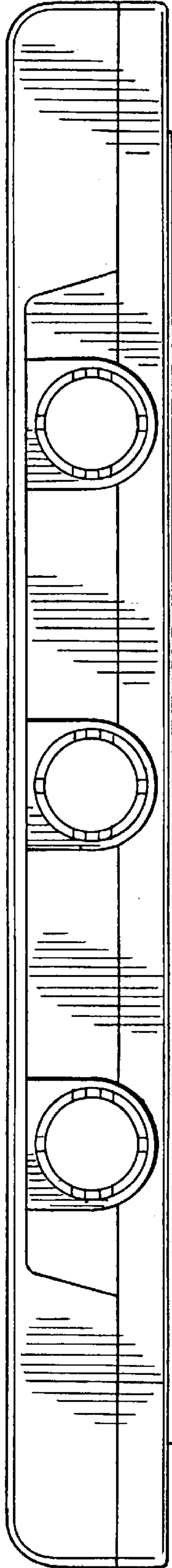


FIG. 5

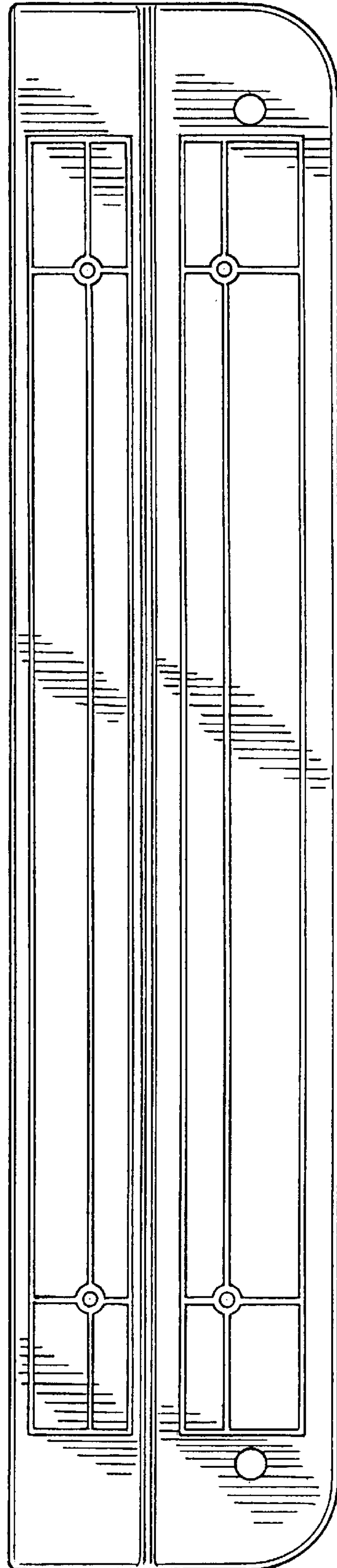


FIG. 6