



US00D449400B1

(12) **United States Design Patent**
Tillman et al.

(10) **Patent No.:** **US D449,400 S**

(45) **Date of Patent:** **** Oct. 16, 2001**

(54) **LIGHT FIXTURE**

(75) Inventors: **Thomas Shea Tillman**, Columbus, OH (US); **Noel Anthony Collver**, Americus, GA (US)

(73) Assignee: **Cooper Technologies Company**, Houston, TX (US)

(**) Term: **14 Years**

(21) Appl. No.: **29/135,805**

(22) Filed: **Jan. 22, 2001**

Related U.S. Application Data

(62) Division of application No. 29/114,234, filed on Nov. 12, 1999, now Pat. No. Des. 440,340.

(51) **LOC (7) Cl.** **26-05**

(52) **U.S. Cl.** **D26/76**

(58) **Field of Search** D26/75, 76, 77, D26/78; 362/217, 218, 220, 222

(56) **References Cited**

U.S. PATENT DOCUMENTS

- D. 123,757 12/1940 Dreyfuss D26/76
- D. 135,093 2/1943 Biller D26/75
- D. 154,058 * 6/1949 Nitardy D26/75
- D. 247,756 * 4/1978 Nagalkerke D26/75

- D. 440,340 * 4/2001 Tillman D26/76
- D. 441,890 * 5/2001 Grimm D26/76
- 2,606,998 8/1952 Winkler et al. D26/77 X
- 5,117,342 5/1992 Vlah 362/217

OTHER PUBLICATIONS

Lighting and Lamps, Aug. 1951, fluorescent lamp, Hall-Lite, top right.*

* cited by examiner

Primary Examiner—Susan J. Lucas

(74) *Attorney, Agent, or Firm*—Fish & Richardson P.C.

(57) **CLAIM**

The ornamental design for a light fixture, as shown and described.

DESCRIPTION

FIG. 1 is a perspective view of a light fixture of our new design;

FIG. 2 is a side elevation view thereof;

FIG. 3 is a side elevation view thereof, opposite that shown in FIG. 2;

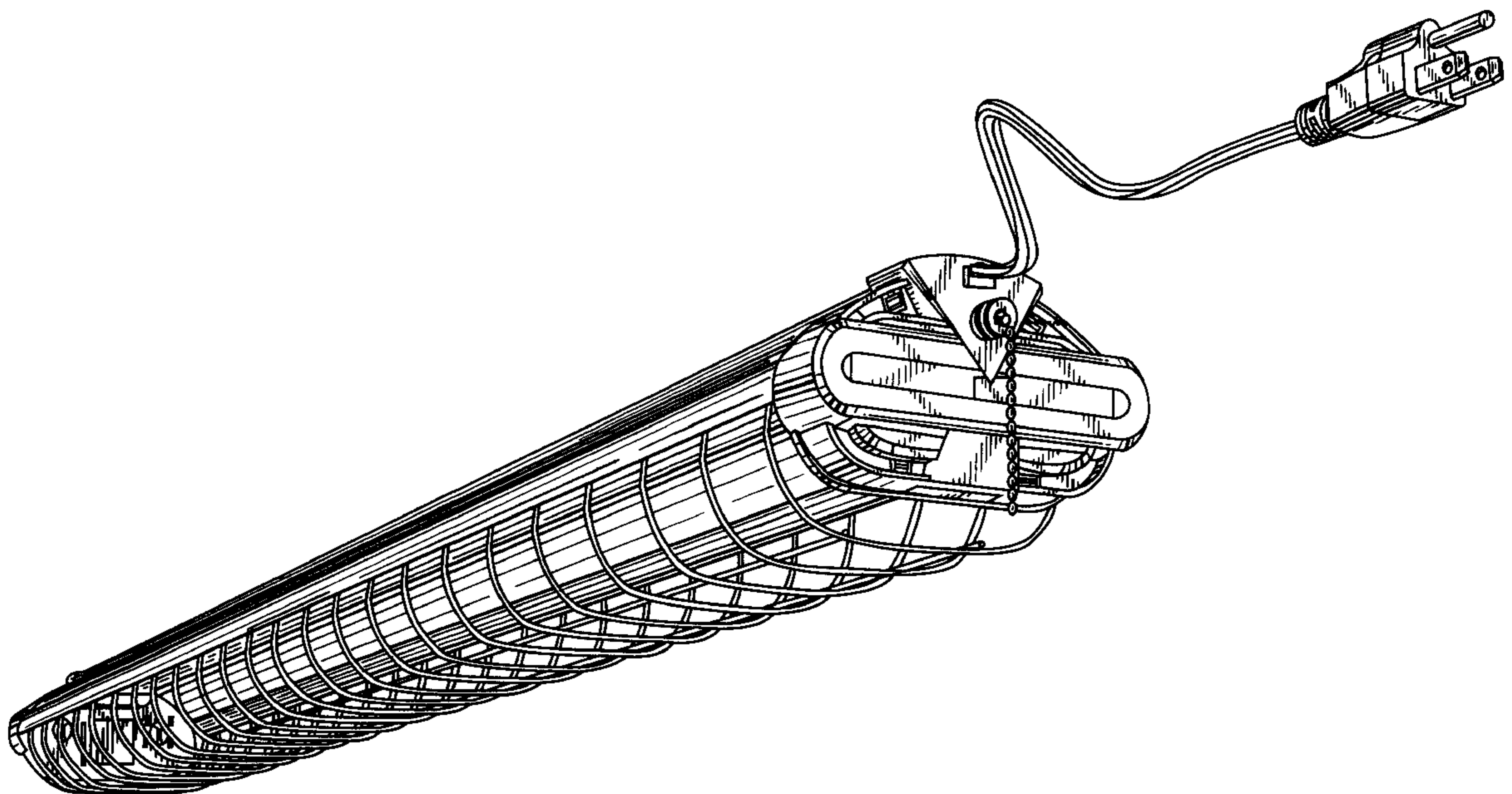
FIG. 4 is a front elevation view thereof;

FIG. 5 is a rear elevation view thereof;

FIG. 6 is a top plan view thereof; and,

FIG. 7 is a bottom plan view thereof.

1 Claim, 7 Drawing Sheets



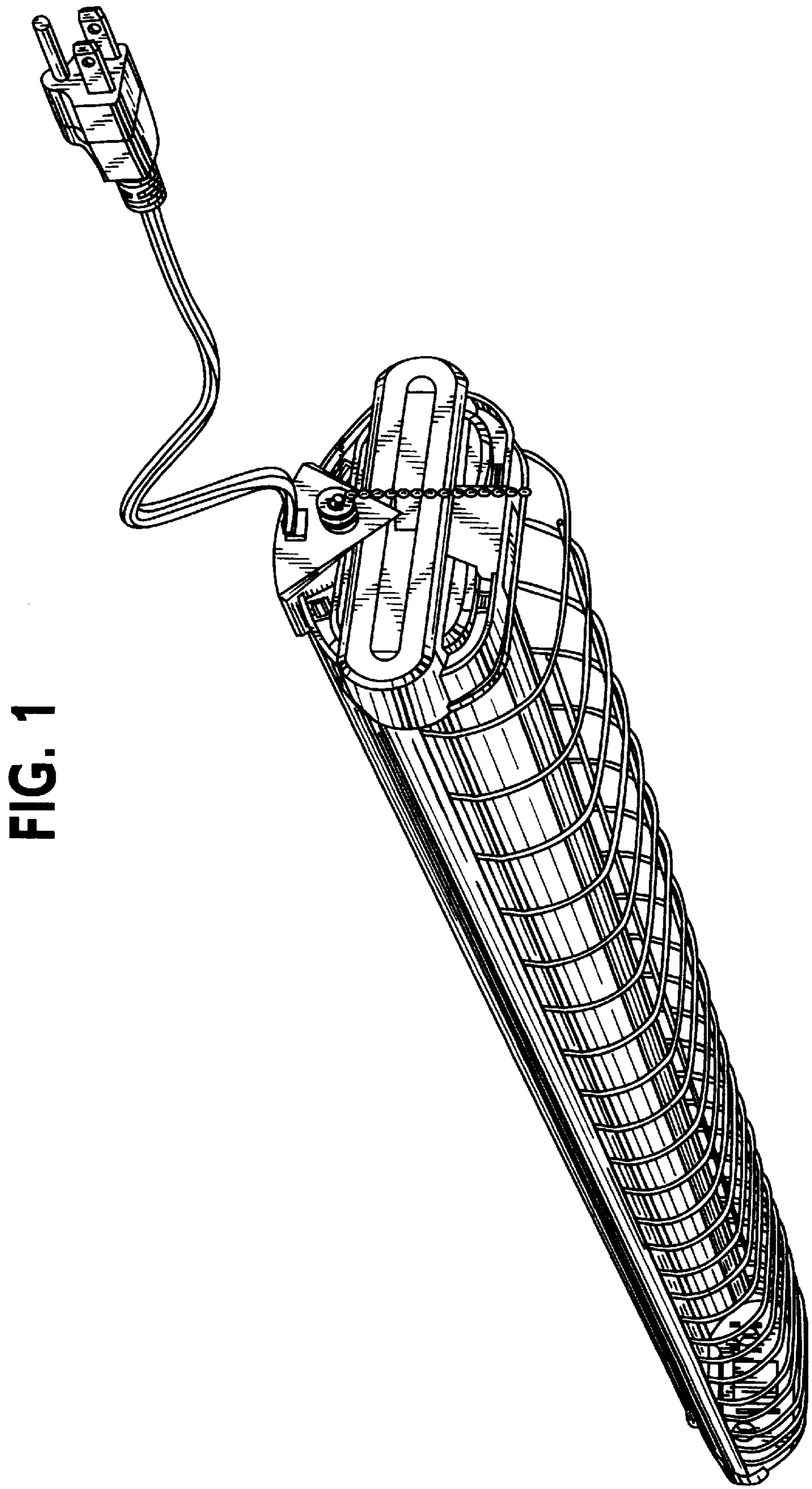


FIG. 1

FIG. 2

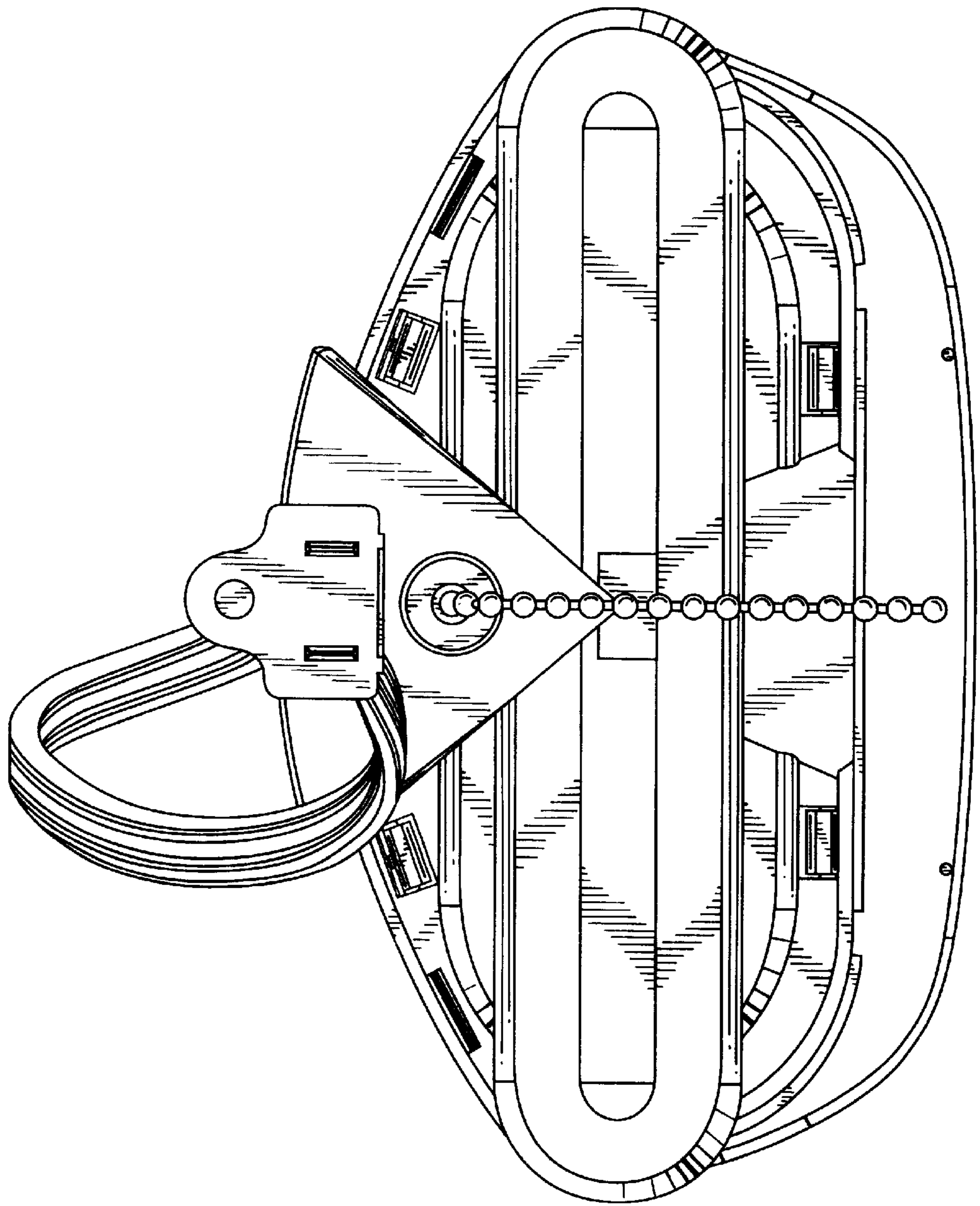


FIG. 3

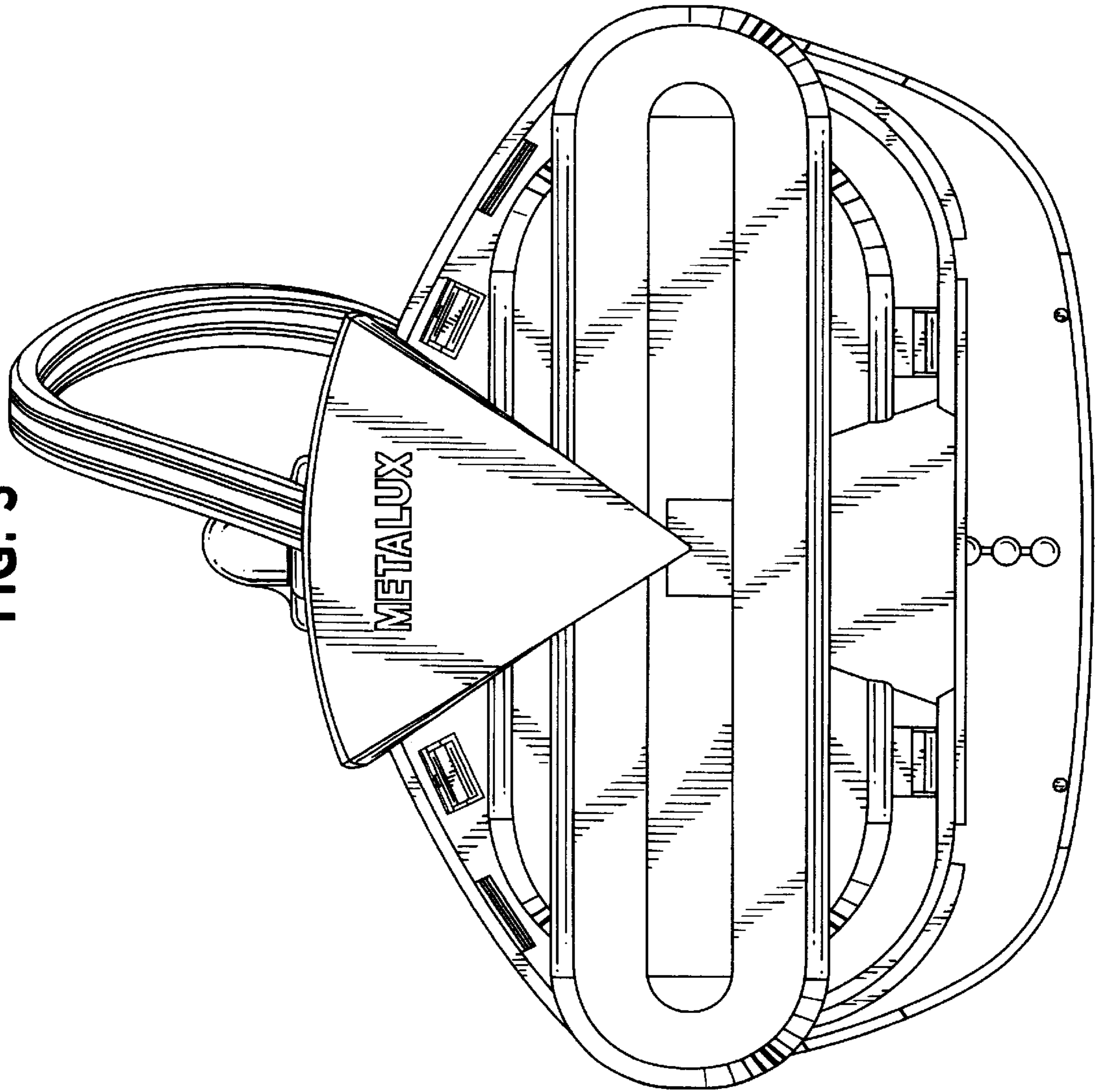


FIG. 4

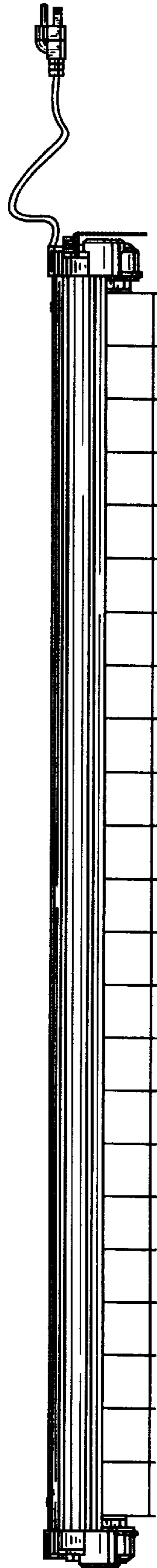


FIG. 5



FIG. 6

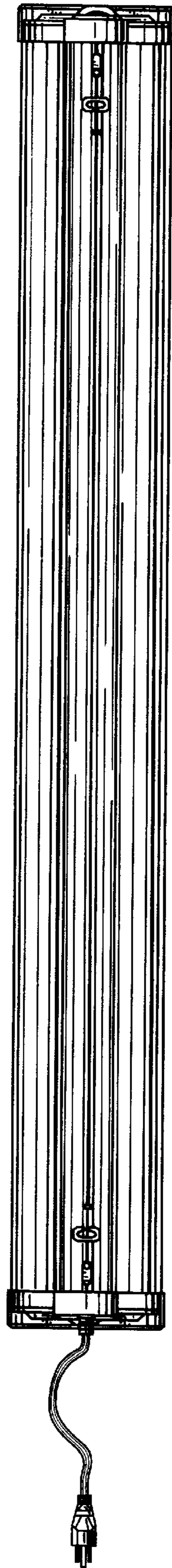


FIG. 7

