



US00D449399B1

(12) **United States Design Patent**
De'Armond

(10) **Patent No.:** **US D449,399 S**

(45) **Date of Patent:** **** Oct. 16, 2001**

(54) **LAMP HOUSING**

(75) Inventor: **Robert De'Armond**, Temecula, CA
(US)

(73) Assignee: **Minka Lighting, Inc.**, Corona, CA
(US)

(**) Term: **14 Years**

(21) Appl. No.: **29/105,398**

(22) Filed: **May 24, 1999**

(51) **LOC (7) Cl.** **26-05**

(52) **U.S. Cl.** **D26/72**

(58) **Field of Search** D26/72, 80-92,
D26/67-70; 362/147, 431, 367, 404-408,
432

(56) **References Cited**

U.S. PATENT DOCUMENTS

- D. 354,150 * 1/1995 Porter D26/87
- D. 388,219 * 12/1997 Hsu D26/87

OTHER PUBLICATIONS

Home Lighting and Accessories, Mar. 1995, p. 38, wall lantern, top, left.*

* cited by examiner

Primary Examiner—Susan J. Lucas

(74) *Attorney, Agent, or Firm*—Jenkins & Gilchrist, P.C.

(57) **CLAIM**

The ornamental design for the lamp housing, as shown and described.

DESCRIPTION

FIG. 1 is a front side elevational view of the lamp housing in accordance with my design, the rear side being substantially identical thereto;

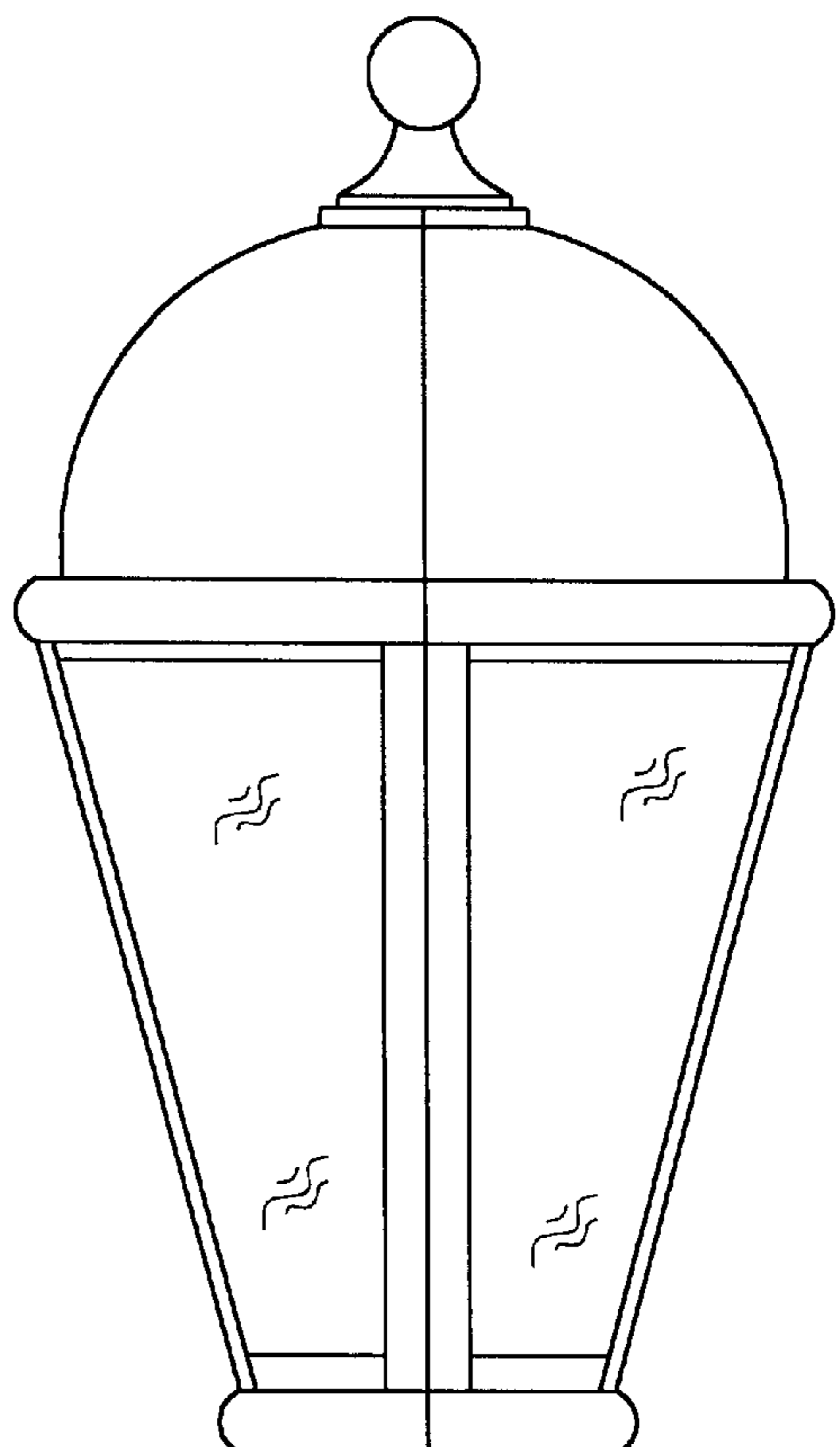
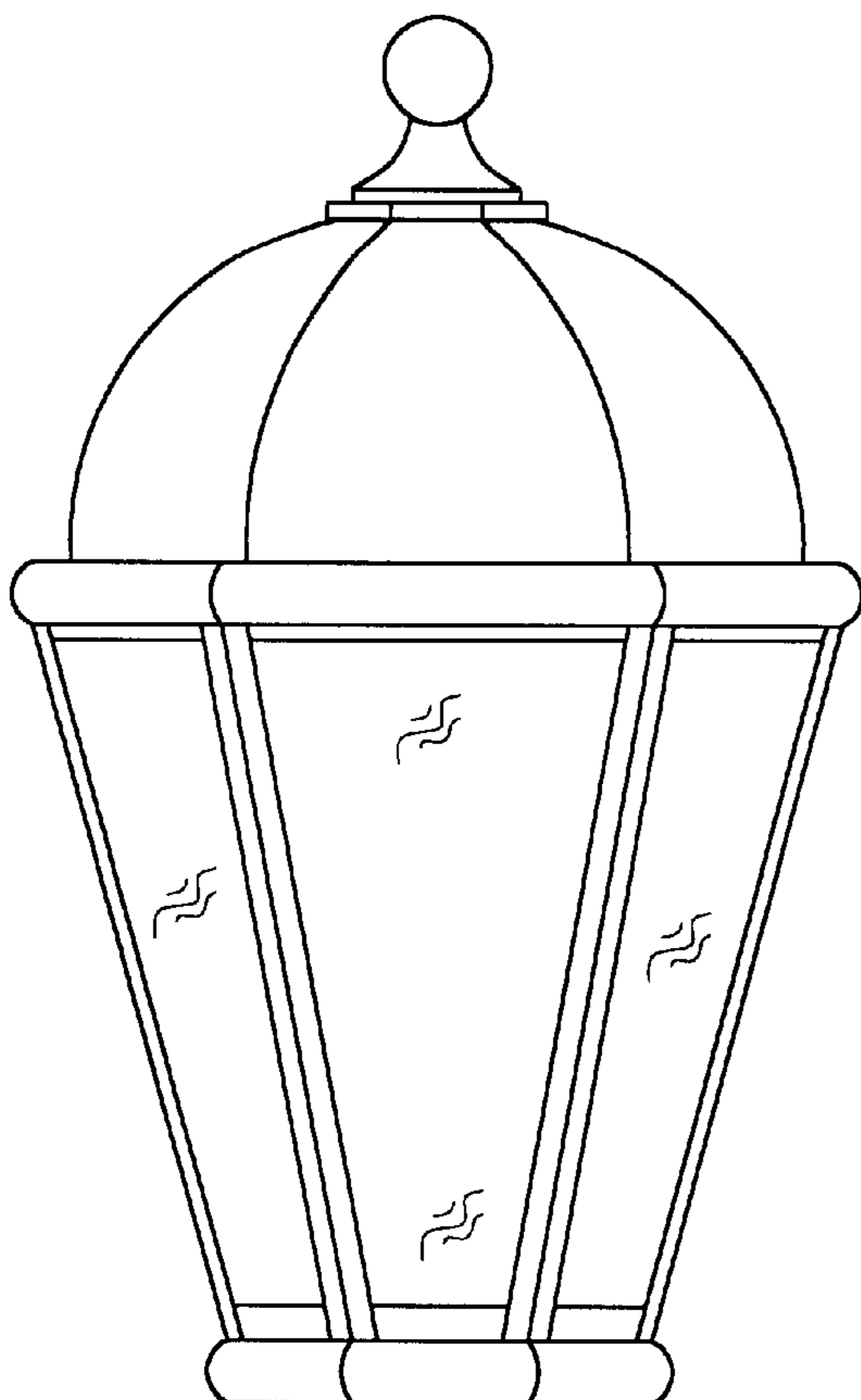
FIG. 2 is a left side elevational view of the lamp housing in accordance with my design, the right side being substantially identical thereto; and,

FIG. 3 is a top plan view of the lamp housing in accordance with my design; and,

FIG. 4 is a bottom plan view of the lamp housing in accordance with my design.

The curving repeated lines on the surface of the panes of the lamp housing are intended to indicate a uniform patterned finish on the surface of the glass and are partially shown for convenience.

1 Claim, 2 Drawing Sheets



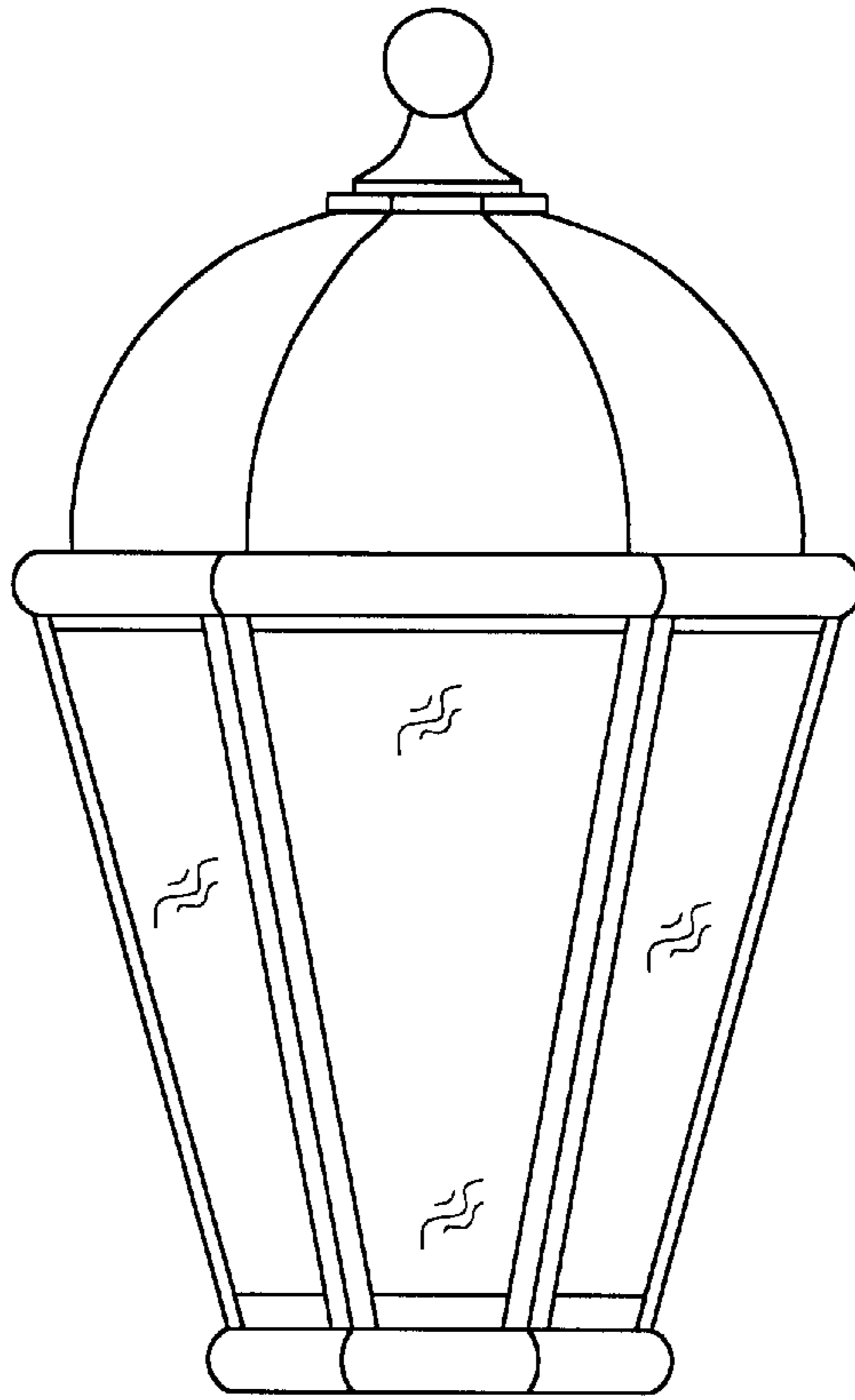


FIG. 1

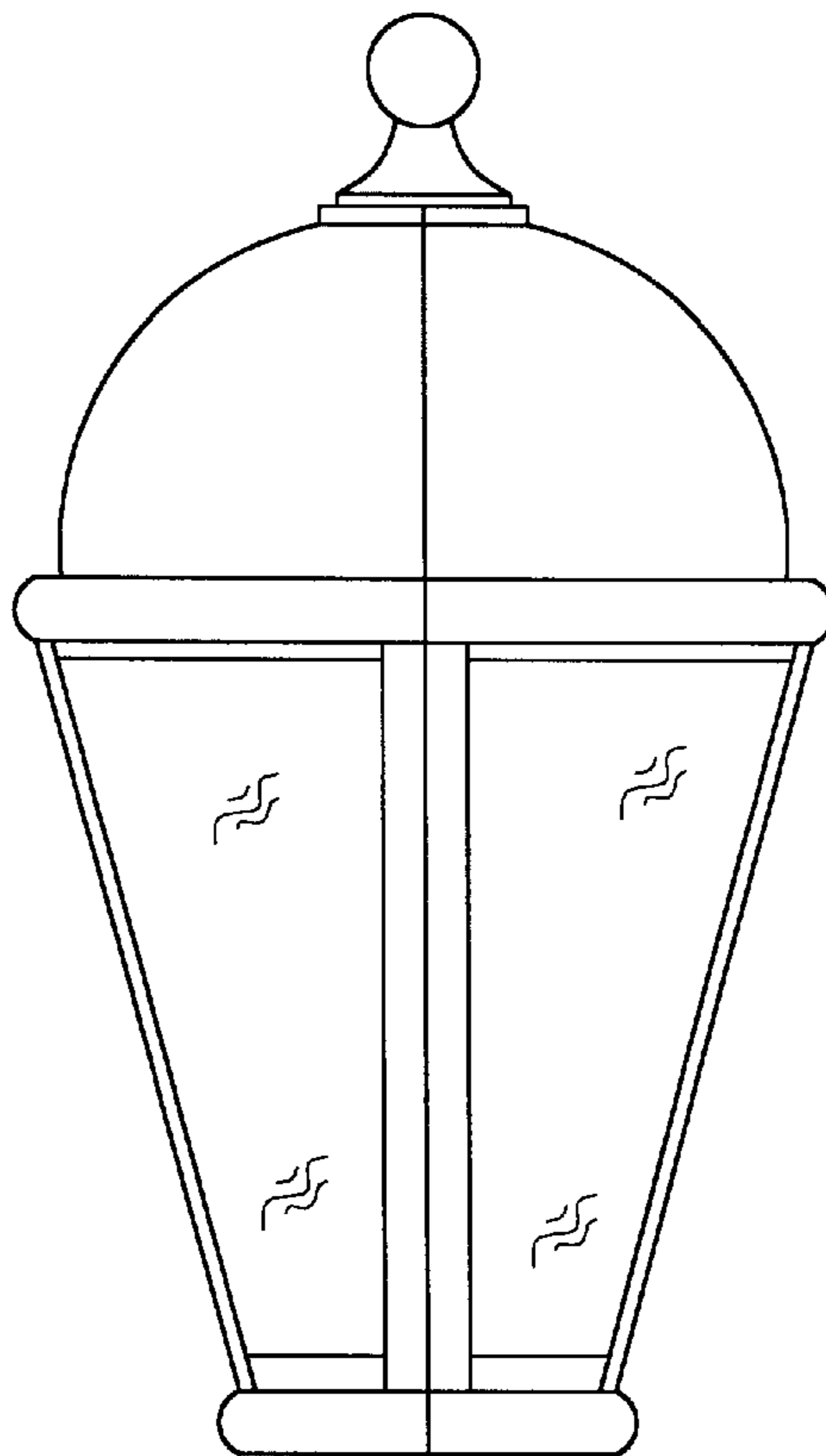


FIG. 2

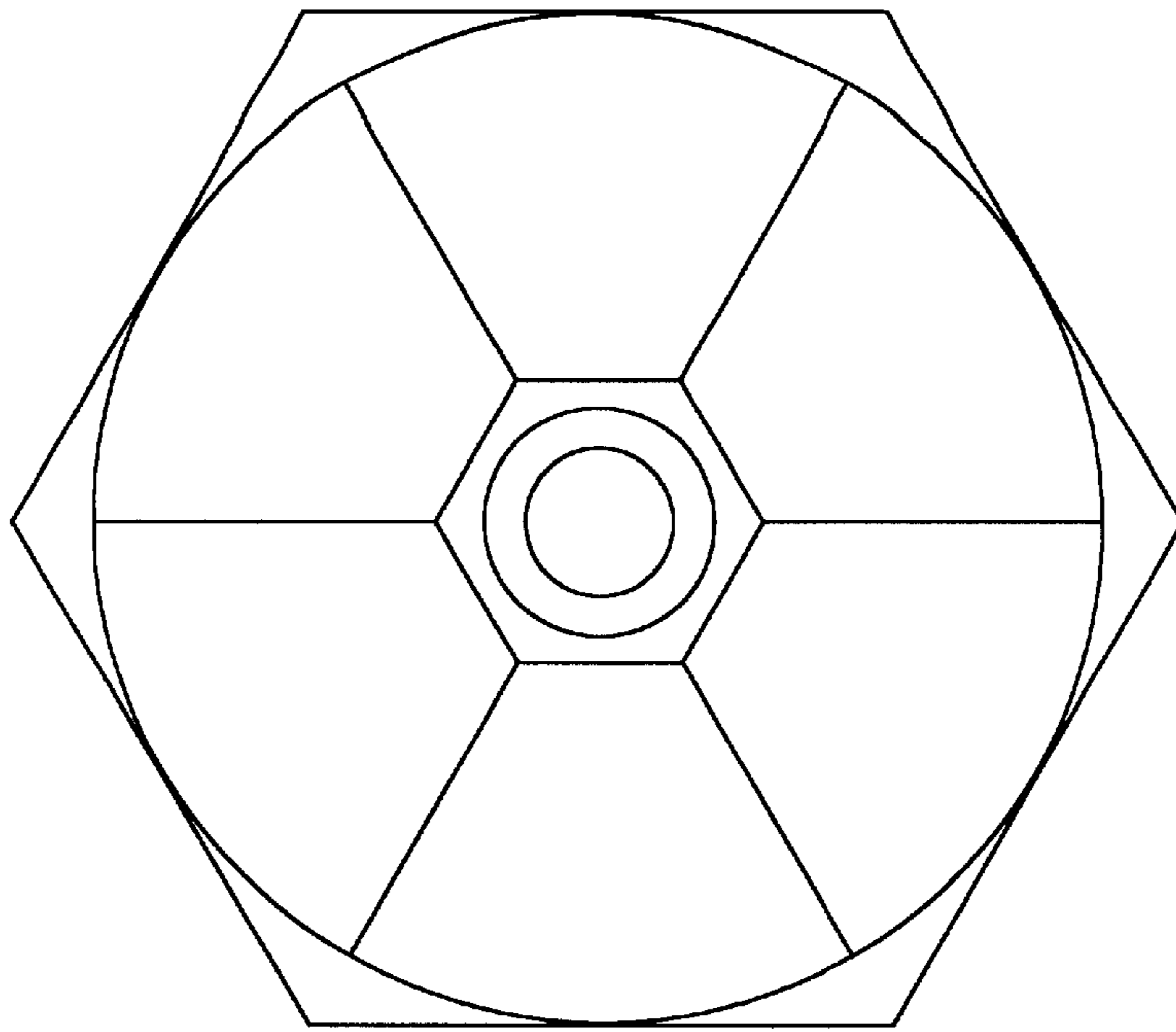


FIG. 3

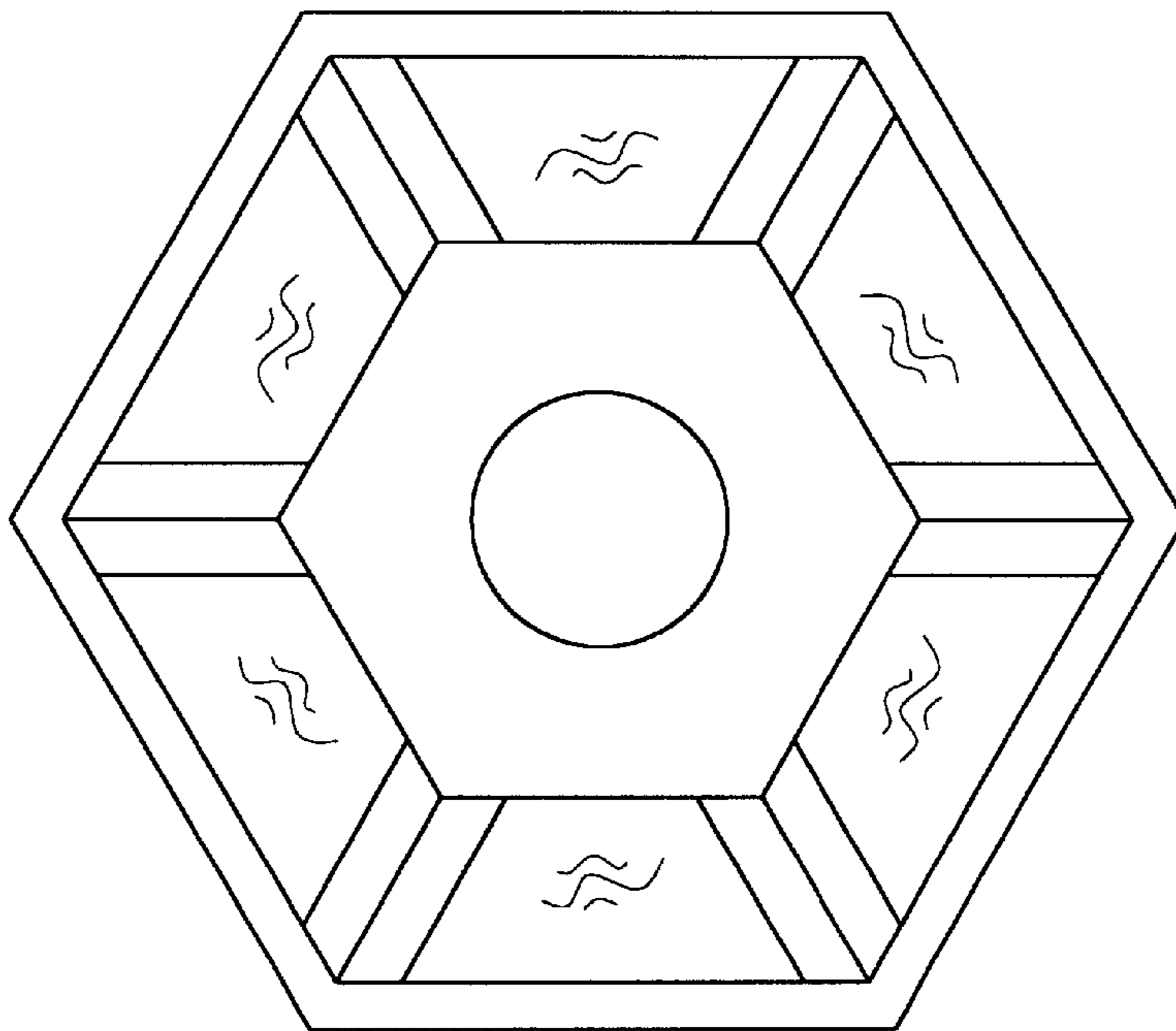


FIG. 4