



US00D449397B1

(12) **United States Design Patent**  
**Demshki**

(10) **Patent No.:** **US D449,397 S**

(45) **Date of Patent:** **\*\* Oct. 16, 2001**

(54) **TRACK LIGHT**  
(75) Inventor: **Robert Demshki**, Cherryville, NC (US)  
(73) Assignee: **Ardee Lighting/USA, Inc.**, Shelby, NC (US)

|           |         |                |         |
|-----------|---------|----------------|---------|
| 5,062,029 | 10/1991 | Engel          | 362/287 |
| 5,140,507 | 8/1992  | Harwood        | 362/271 |
| 5,398,177 | 3/1995  | Harwood        | 362/270 |
| 5,788,518 | 8/1998  | Wachter et al. | 439/121 |
| 6,004,005 | 12/1999 | Demshki, Jr.   | 362/238 |

(\*\*) Term: **14 Years**  
(21) Appl. No.: **29/122,890**  
(22) Filed: **May 5, 2000**

**OTHER PUBLICATIONS**

Marco Track lighting catalog, Jun. 1985, p. 16, low voltage sphere.\*  
Taiwan Lighting, Feb. 1998, p. 225, spotlight #GIA 101 (E14).\*

(51) **LOC (7) Cl.** ..... **26-05**  
(52) **U.S. Cl.** ..... **D26/63**  
(58) **Field of Search** ..... D26/60-66; 362/269, 362/270, 275, 285, 286, 287, 290, 427, 428, 429, 430, 410, 413

\* cited by examiner

*Primary Examiner*—Susan J. Lucas  
(74) *Attorney, Agent, or Firm*—Fitzpatrick, Cella, Harper & Scinto

(56) **References Cited**

(57) **CLAIM**

The ornamental design for a track light, as shown and described.

**U.S. PATENT DOCUMENTS**

**DESCRIPTION**

|              |         |                |         |
|--------------|---------|----------------|---------|
| D. 287,413   | 12/1986 | Kusmer et al.  | D26/65  |
| D. 295,223   | 4/1988  | Meda           | D26/65  |
| D. 307,060   | 4/1990  | Fraser         | D26/88  |
| D. 313,481   | 1/1991  | Fremont et al. | D26/63  |
| D. 315,420   | 3/1991  | Layne          | D26/63  |
| D. 316,154   | 4/1991  | Gecchelin      | D26/63  |
| D. 323,564   | 1/1992  | Woodgate       | D26/63  |
| D. 323,565   | 1/1992  | Woodgate       | D26/63  |
| D. 326,162   | 5/1992  | Price          | D26/63  |
| D. 345,616   | 3/1994  | Lin            | D26/63  |
| D. 345,619   | 3/1994  | Hutz et al.    | D26/64  |
| D. 351,038   | 9/1994  | Snoke et al.   | D26/65  |
| D. 351,249   | 10/1994 | Snoke et al.   | D26/65  |
| D. 354,148   | 1/1995  | Roos           | D26/63  |
| D. 354,365   | 1/1995  | Roos et al.    | D26/63  |
| D. 358,225   | 5/1995  | Lin            | D26/63  |
| D. 386,274   | 11/1997 | Tang           | D26/63  |
| D. 400,996   | 11/1998 | Tang           | D26/63  |
| D. 402,384   | 12/1998 | Chen           | D26/63  |
| D. 436,211 * | 1/2001  | Neeld et al.   | D26/85  |
| 4,727,460    | 2/1988  | Payne          | 362/269 |
| 4,814,955    | 3/1989  | Price          | 362/275 |
| 4,931,917    | 6/1990  | Scherf et al.  | 362/371 |

FIG. 1 is a perspective view of a track light showing my new design;  
FIG. 2 is a side elevational view thereof;  
FIG. 3 is a side elevational view thereof taken 90° from FIG. 2;  
FIG. 4 is a bottom view thereof;  
FIG. 5 is a top view thereof;  
FIG. 6 is a side view of another embodiment of my design;  
FIG. 7 is a bottom view of the embodiment of FIG. 6;  
FIG. 8 is a side view of a further embodiment of my design;  
FIG. 9 is a side view taken at 90° to the view of FIG. 8;  
FIG. 10 is a bottom view of the embodiment of FIG. 8;  
FIG. 11 is a side view of a still further embodiment of my design;  
FIG. 12 is a side view of the embodiment of FIG. 11 taken at 90° from the FIG. 11 view; and,  
FIG. 13 is a bottom view of the embodiment of FIG. 11.

**1 Claim, 8 Drawing Sheets**

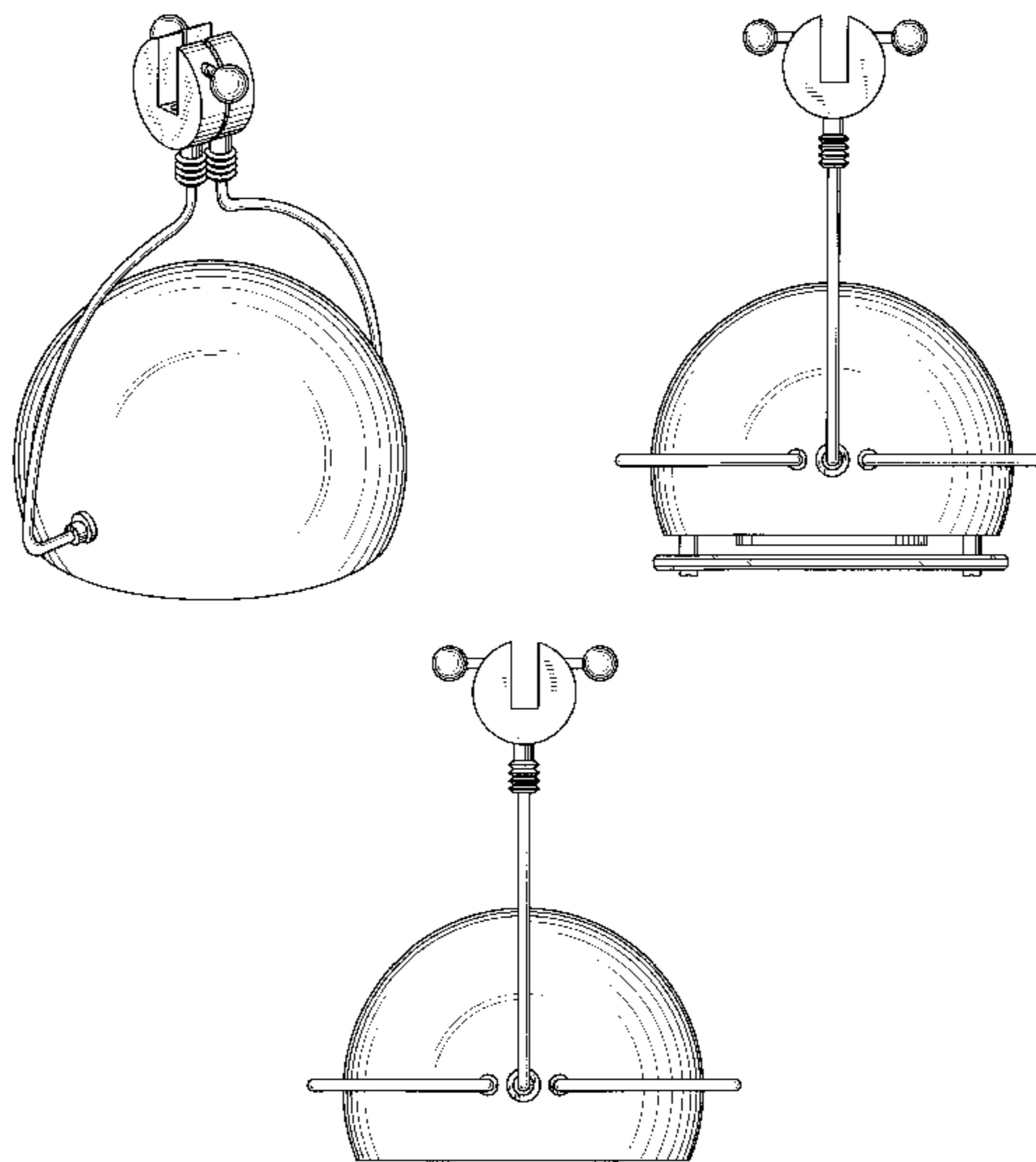


FIG. 2

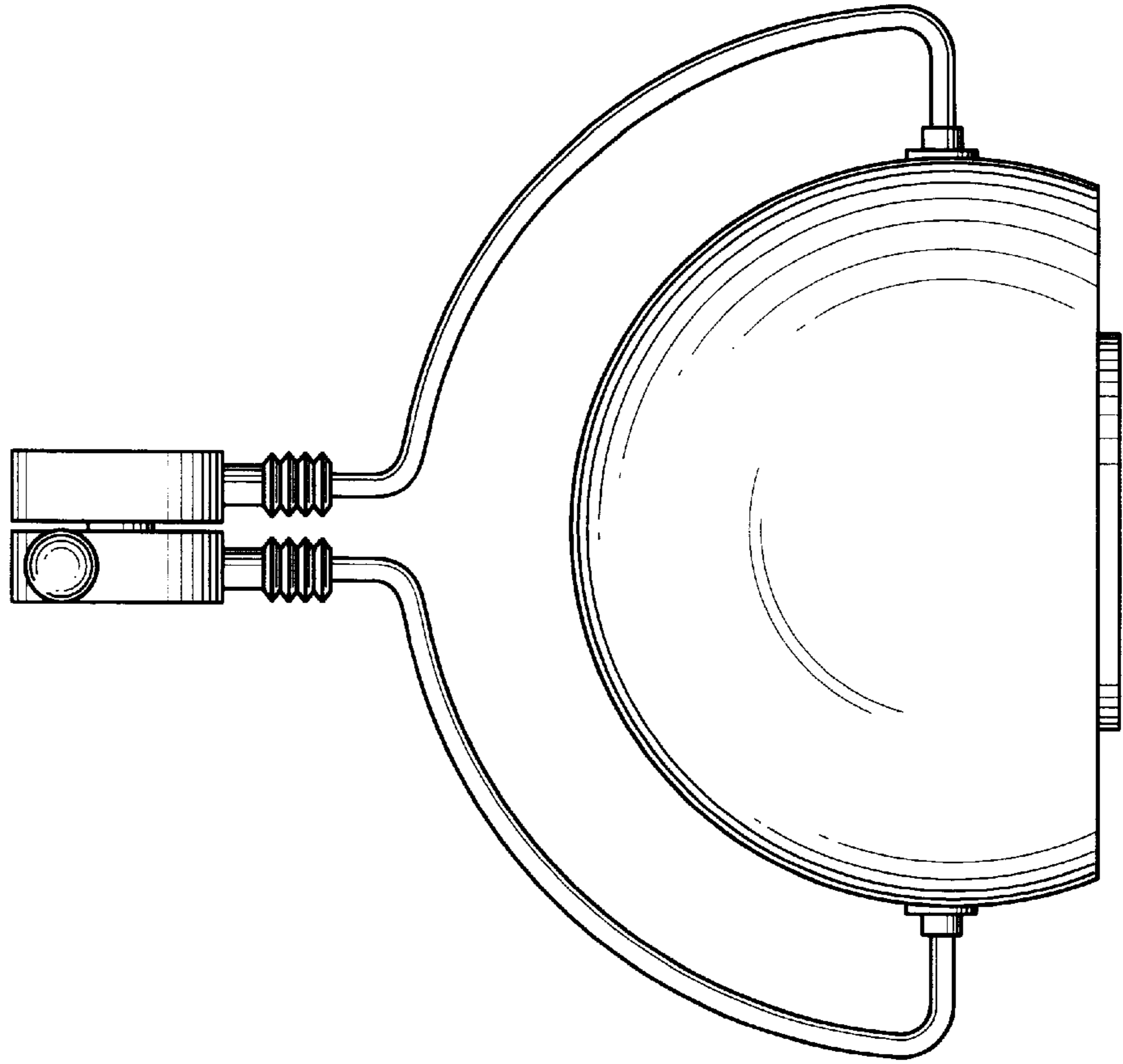


FIG. 1

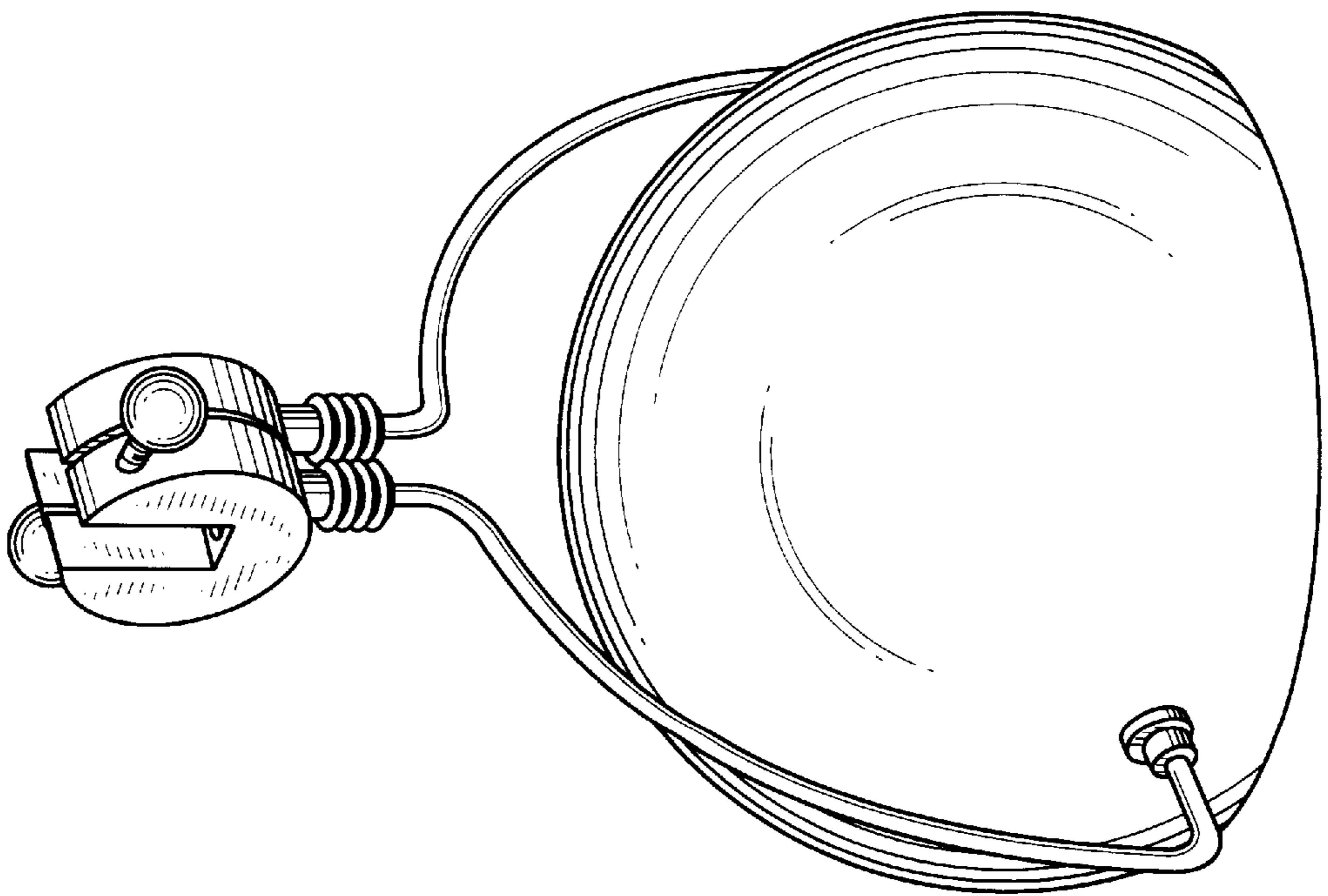


FIG. 4

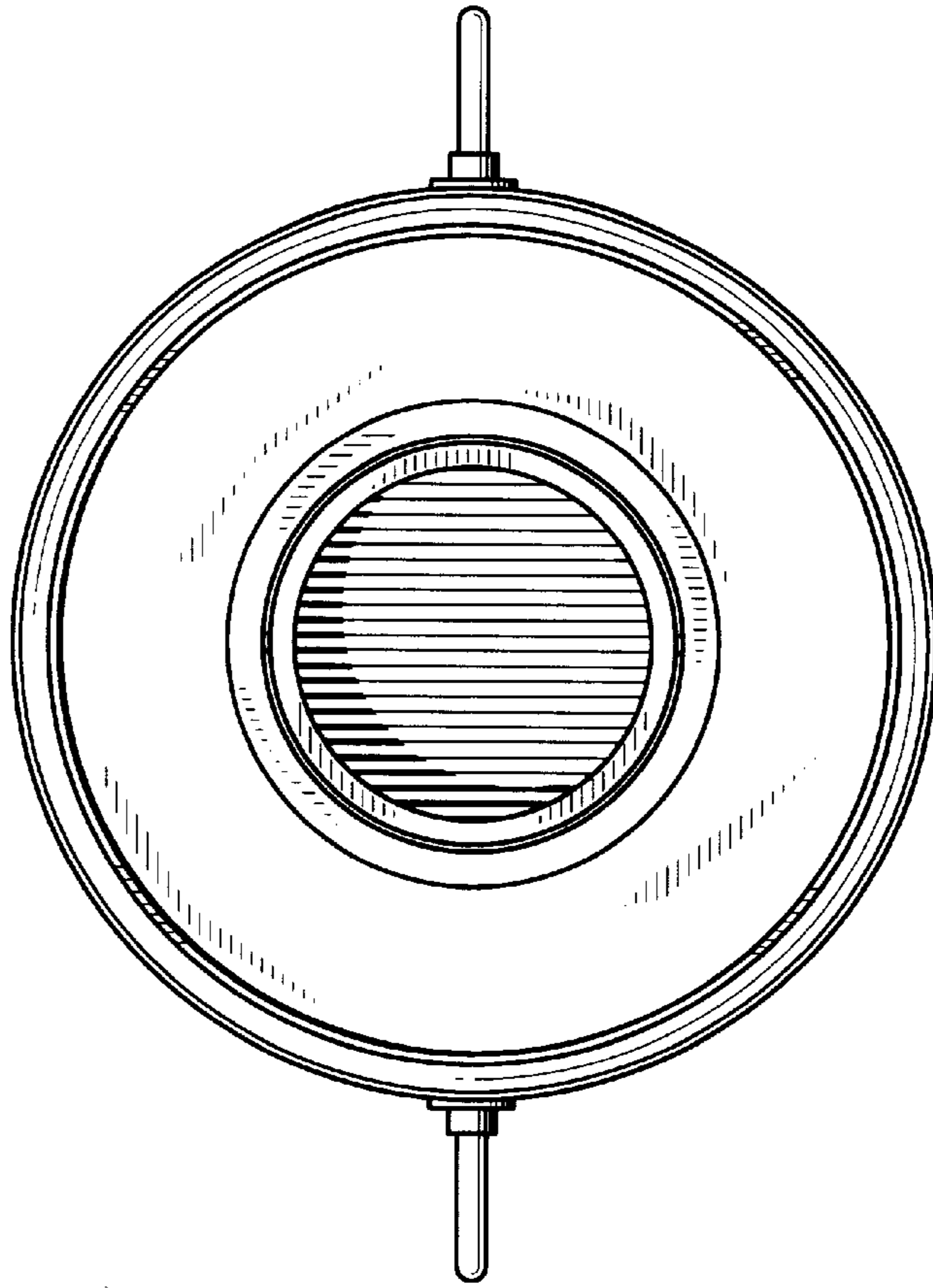


FIG. 3

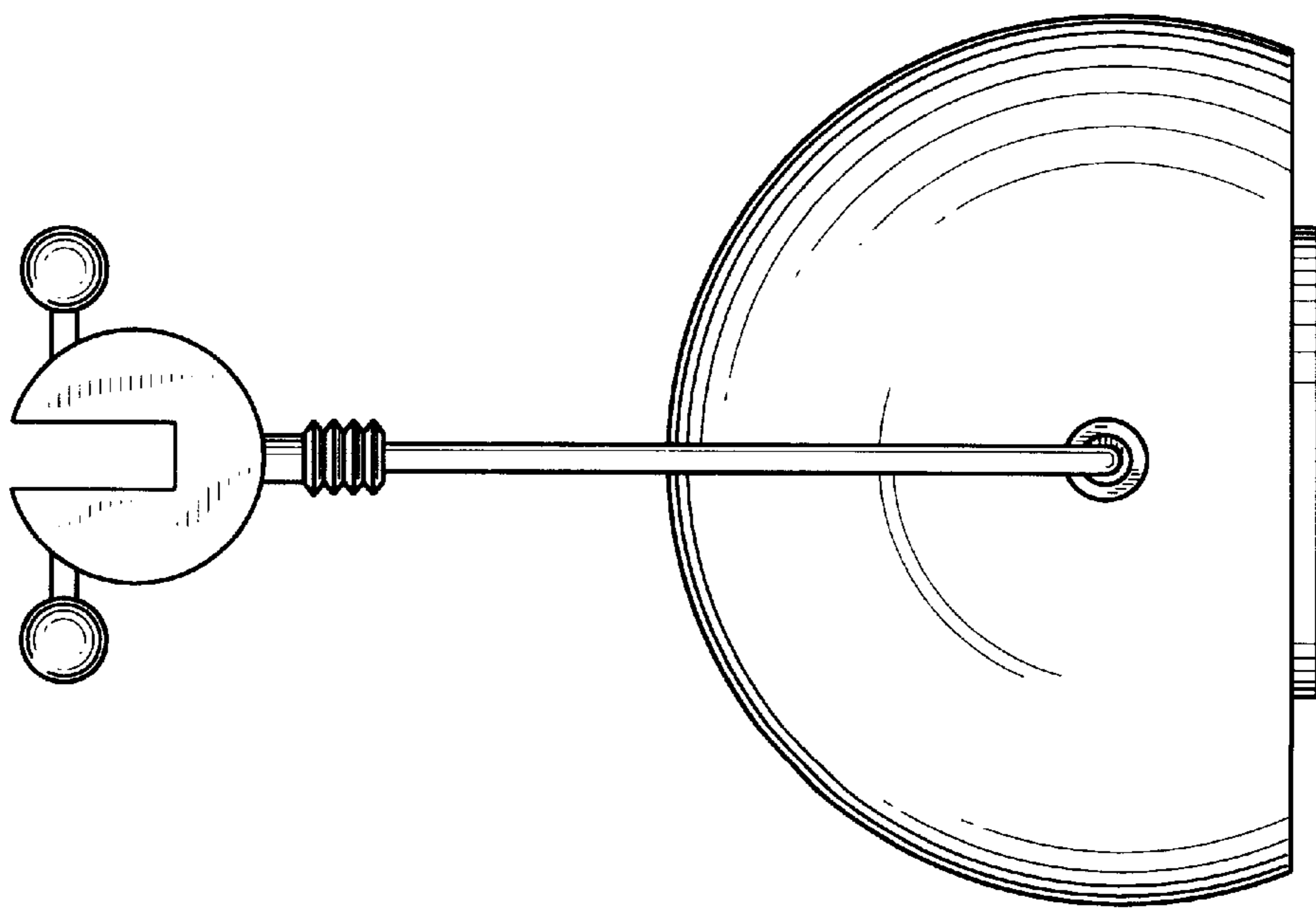


FIG. 5

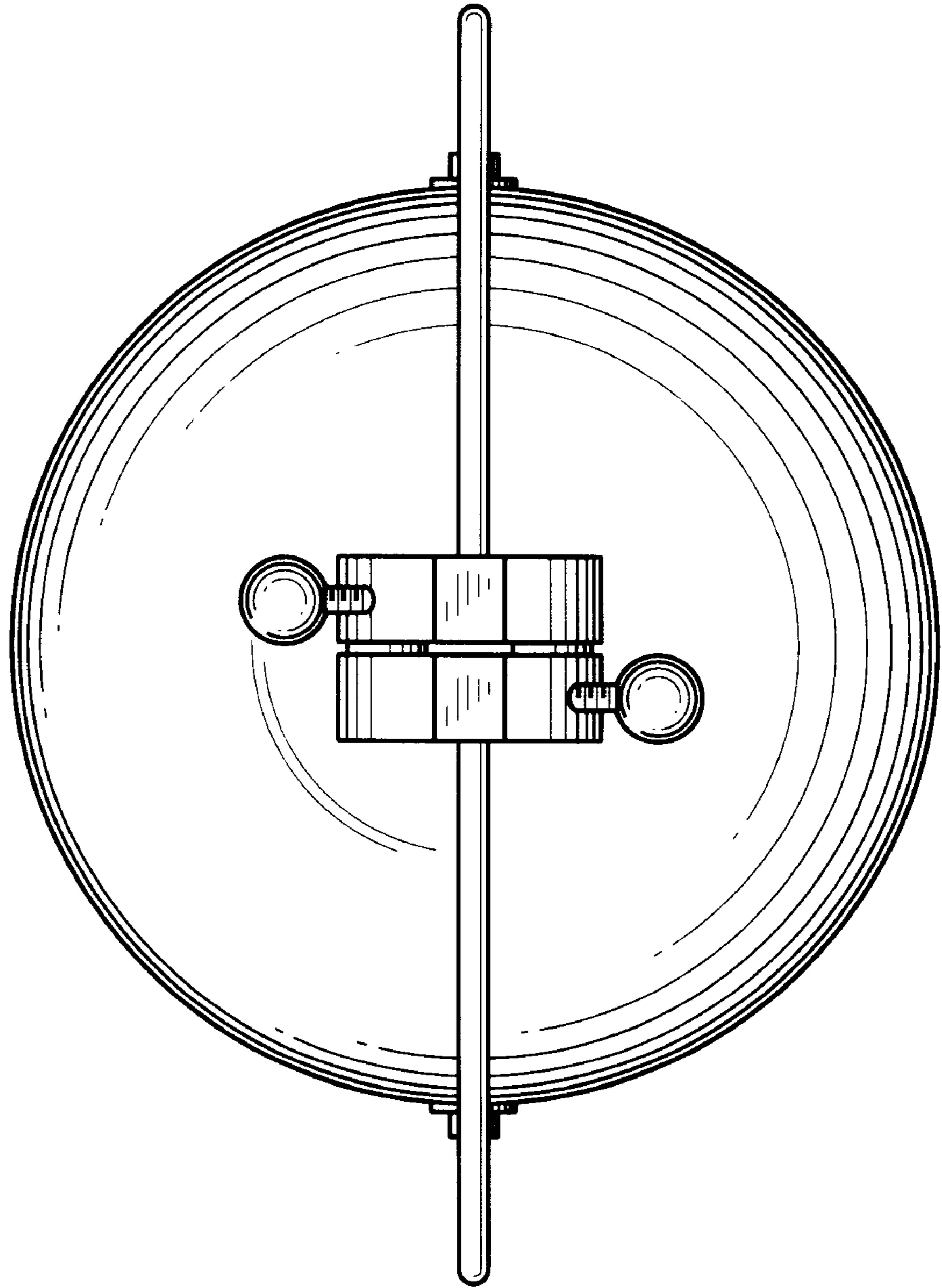


FIG. 7

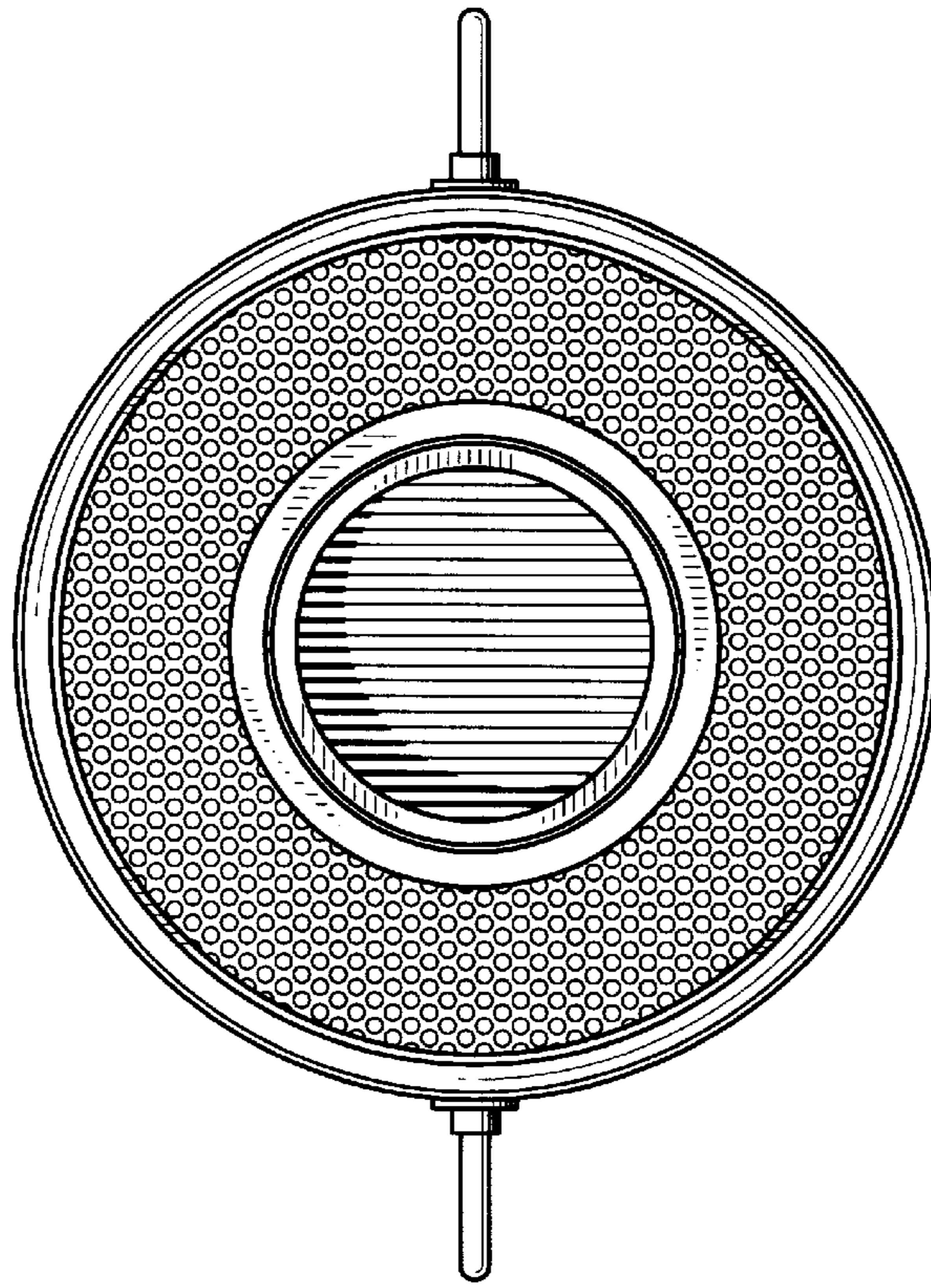


FIG. 6

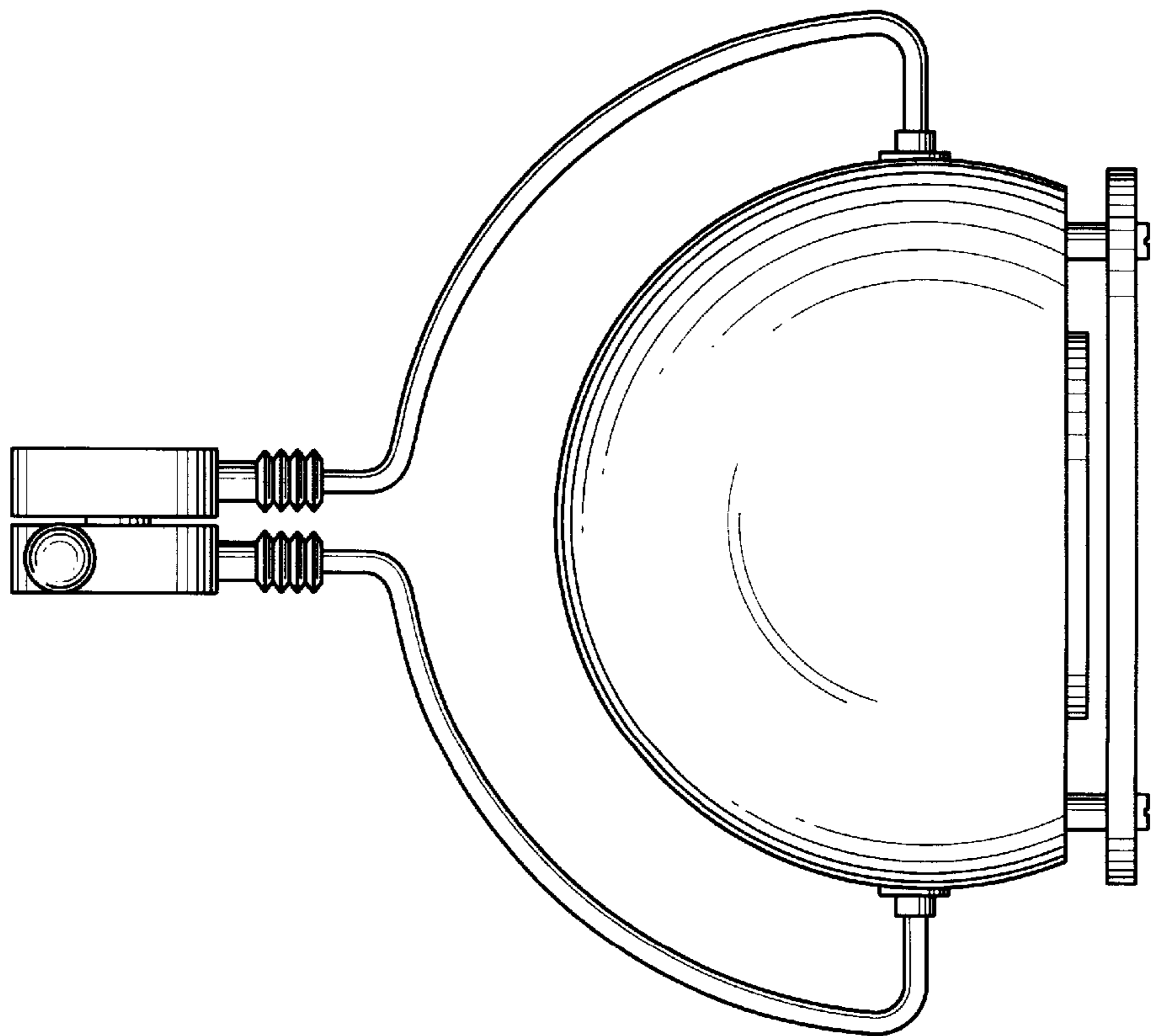


FIG. 9

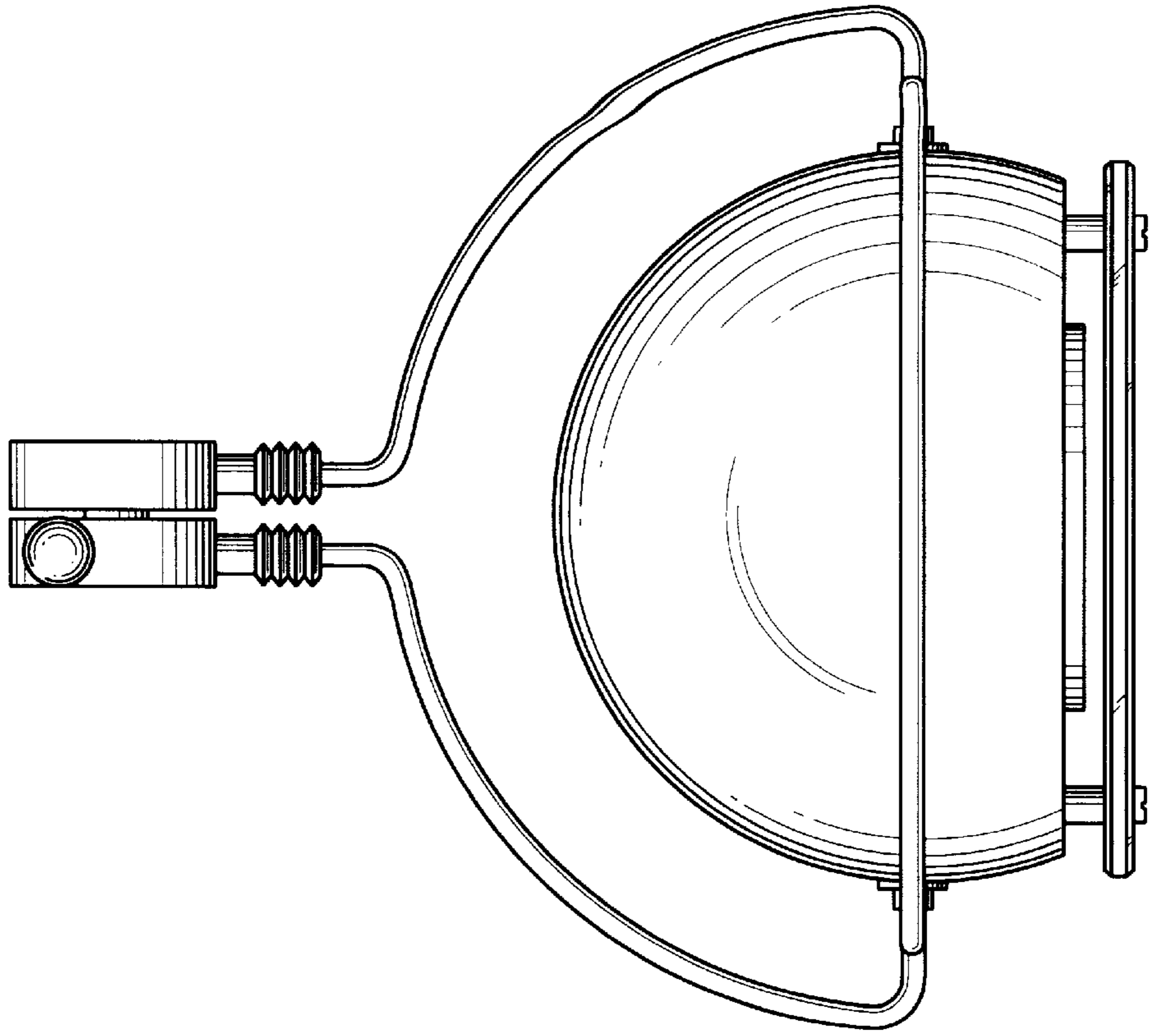


FIG. 8

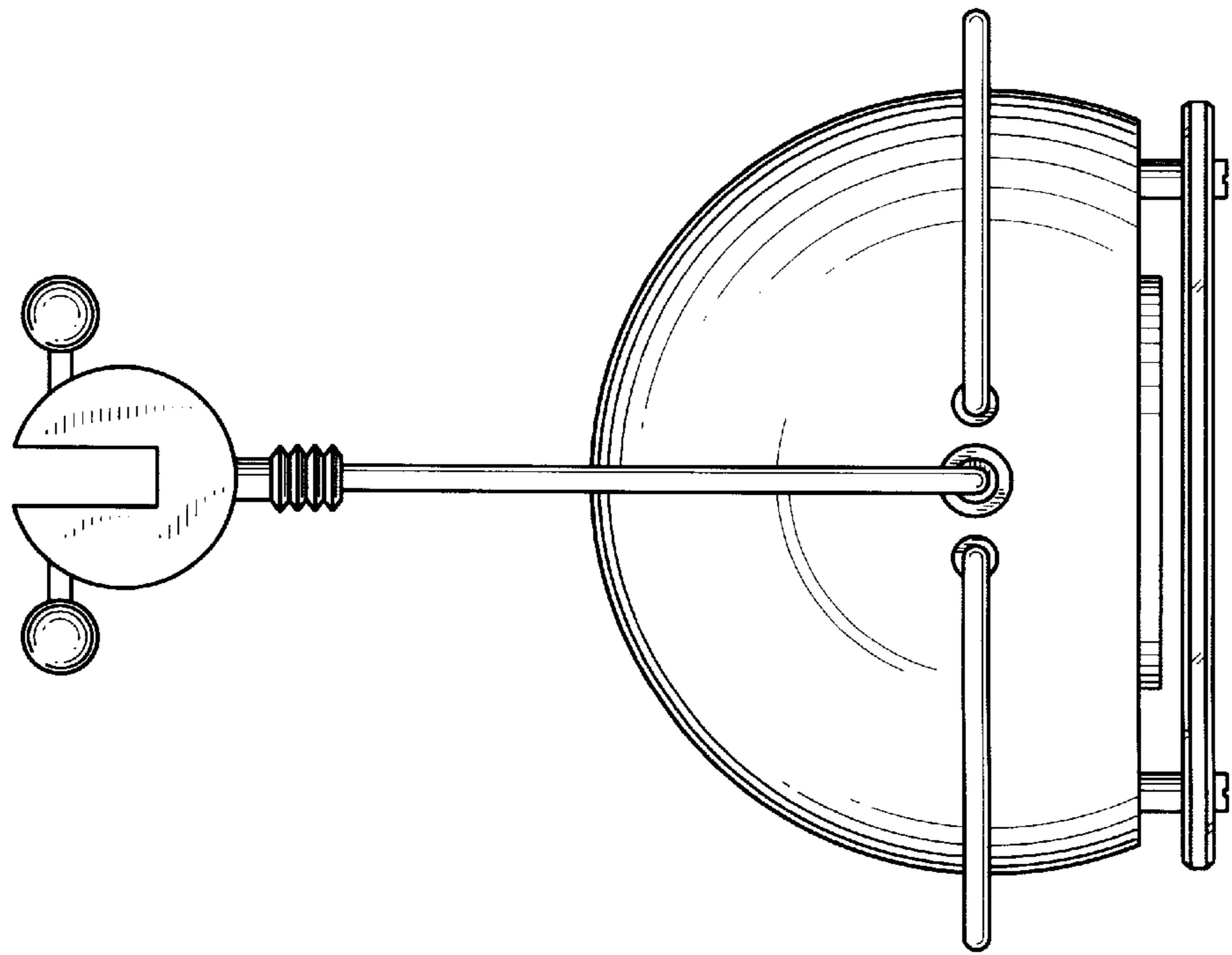


FIG. 10

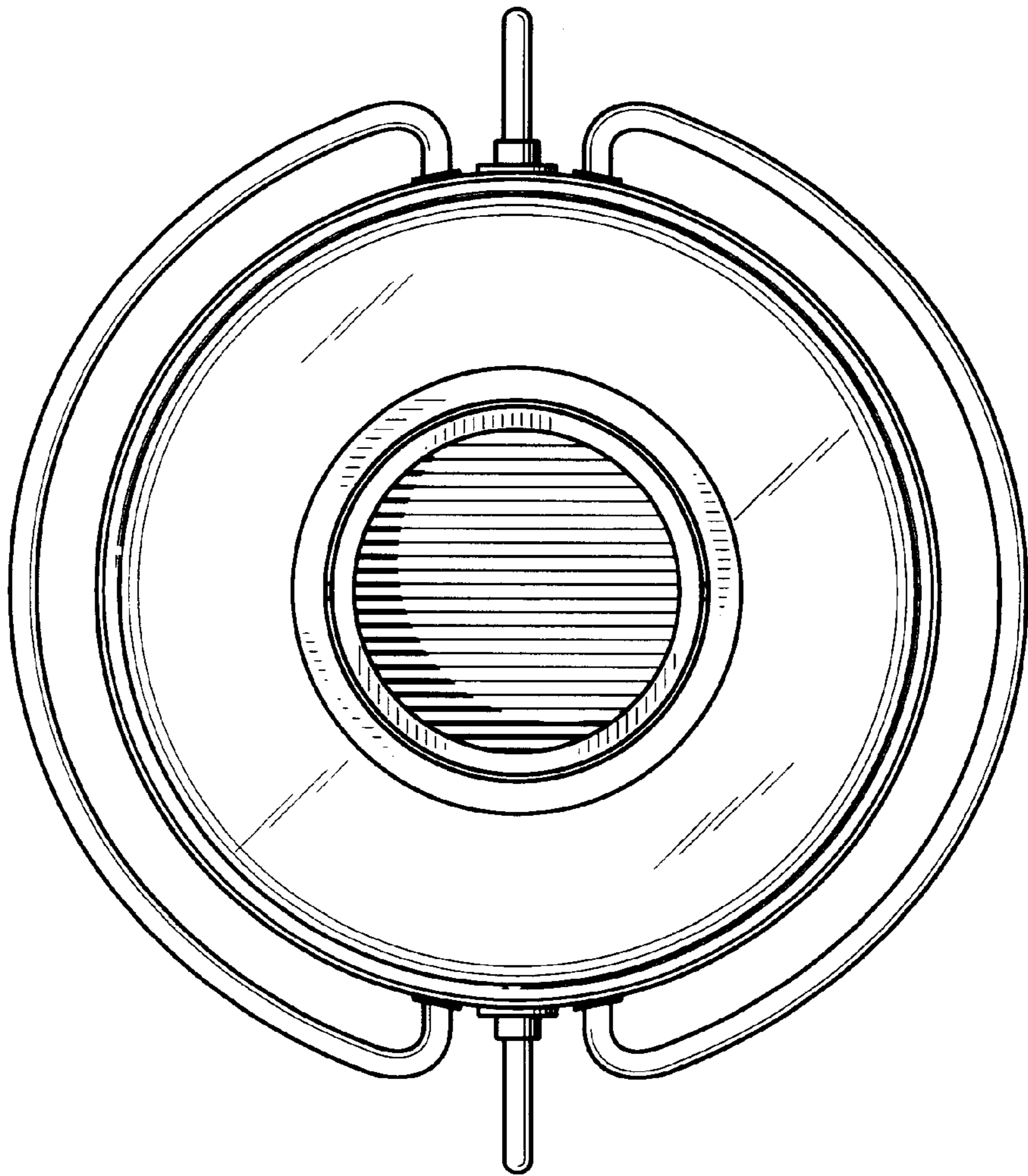


FIG. 12

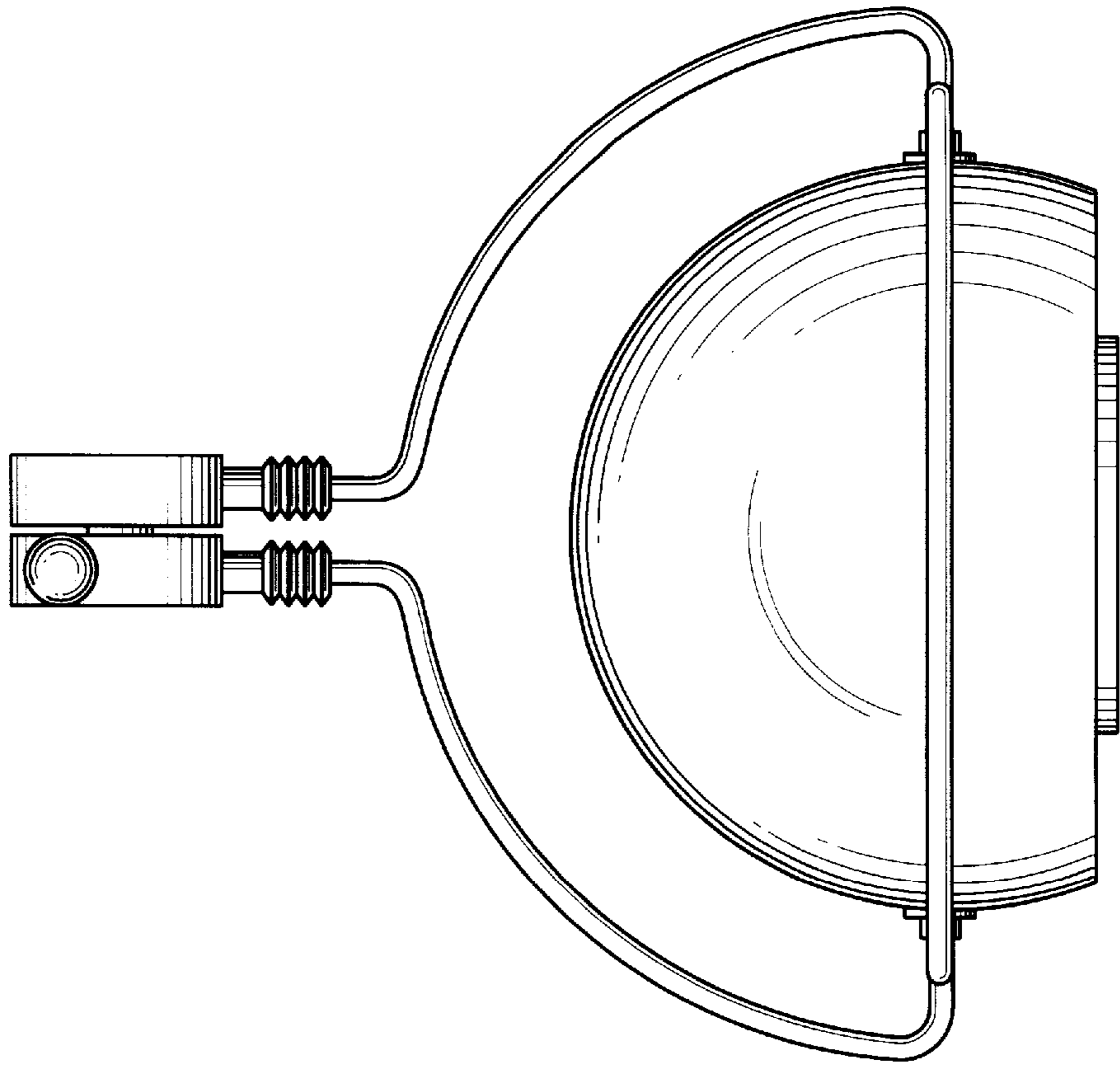


FIG. 11

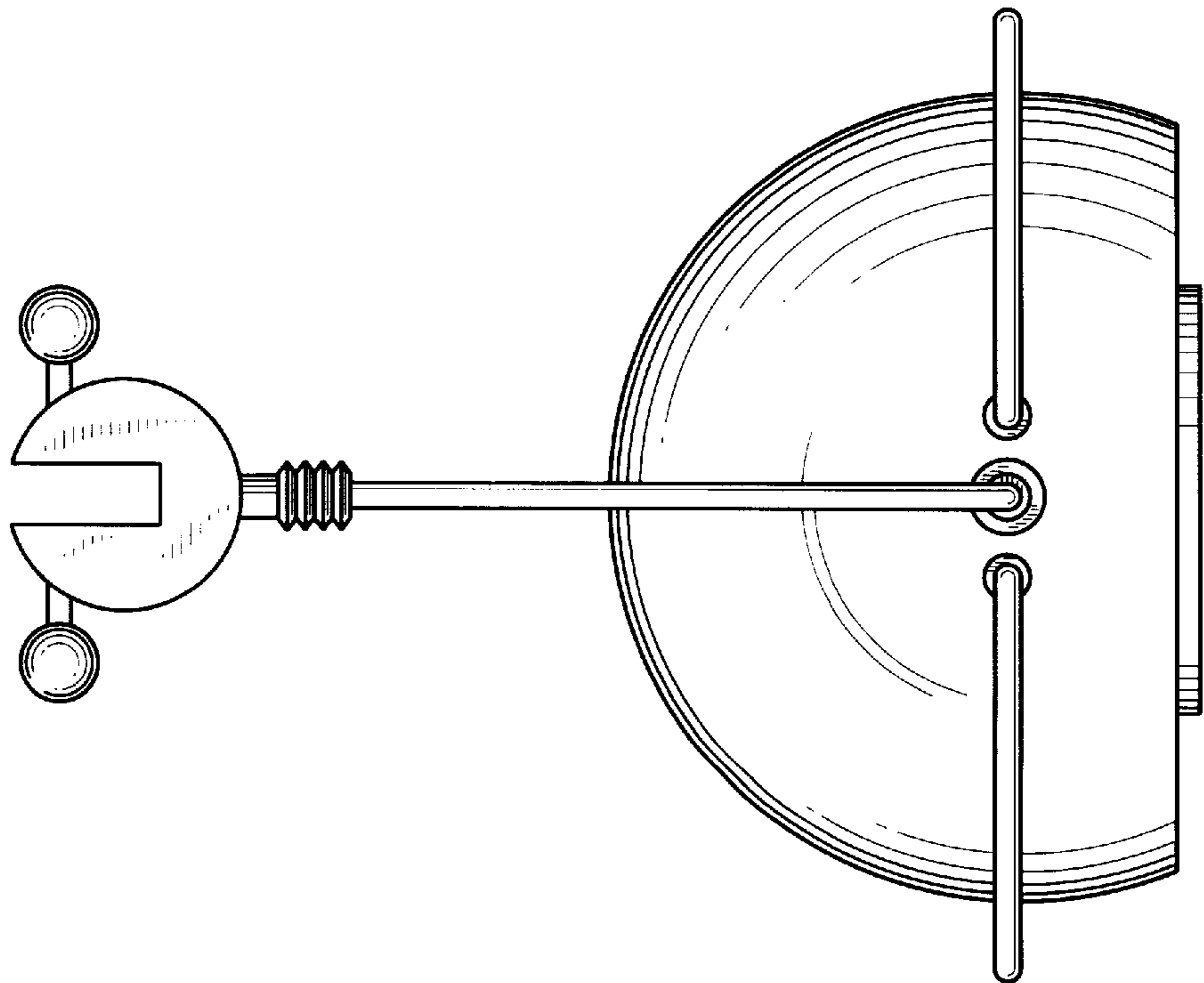




FIG. 13

