



US00D449396B1

(12) **United States Design Patent**
Campbell

(10) **Patent No.:** **US D449,396 S**

(45) **Date of Patent:** **** Oct. 16, 2001**

(54) **CEILING FAN LIGHT KIT**

D. 430,930 * 9/2000 Zuage D23/411

D. 435,289 * 12/2000 Liu D23/411

(75) Inventor: **Glennbruce S. Campbell**, Memphis,
TN (US)

* cited by examiner

(73) Assignee: **Hunter Fan Company**, Memphis, TN
(US)

Primary Examiner—Susan J. Lucas

(74) *Attorney, Agent, or Firm*—Baker, Donelson, Bearman
& Caldwell, LLP

(**) Term: **14 Years**

(57) **CLAIM**

(21) Appl. No.: **29/135,946**

The ornamental design for a ceiling fan light kit, as shown
and described.

(22) Filed: **Jan. 23, 2001**

DESCRIPTION

(51) **LOC (7) Cl.** **26-05**

(52) **U.S. Cl.** **D26/59**

(58) **Field of Search** D26/72-92, 51;
362/147, 404-408, 431, 96, 253; D23/377,
385, 380, 253, 411; 416/5, 21

FIG. 1 is a perspective view of the ceiling fan light kit
showing my new design.

FIG. 2 is a perspective view thereof.

FIG. 3 is a front view thereof, the rear view, right side view
and left side view being substantially the same thereof.

FIG. 4 is a bottom view thereof; and,

FIG. 5 is a top view thereof.

The broken lines in the views shows environmental features
which are for illustrative purposes only and form no part of
the claimed design.

(56) **References Cited**

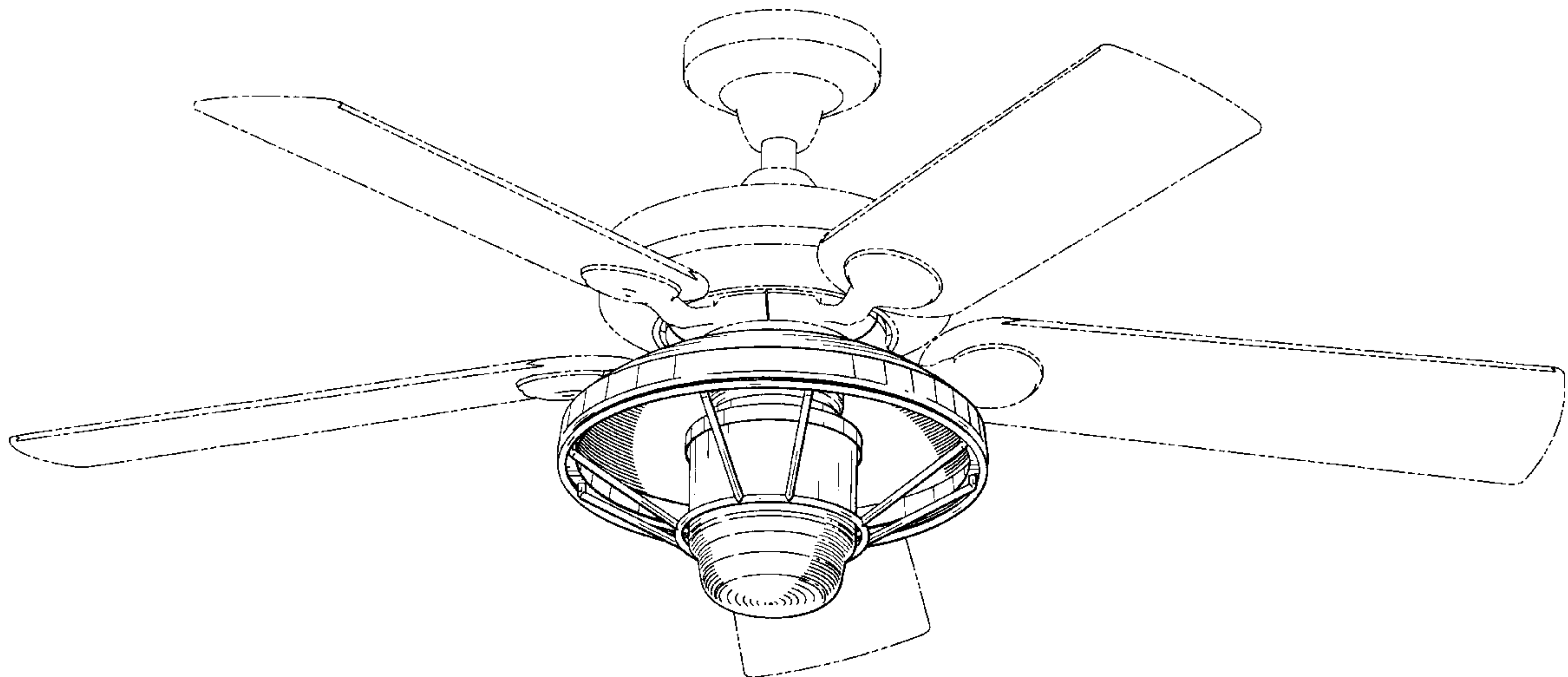
U.S. PATENT DOCUMENTS

D. 198,113 * 4/1964 Bikker D23/385 X

D. 428,982 * 8/2000 Oldenberg D23/377

D. 430,280 * 8/2000 Huang D23/377

1 Claim, 5 Drawing Sheets



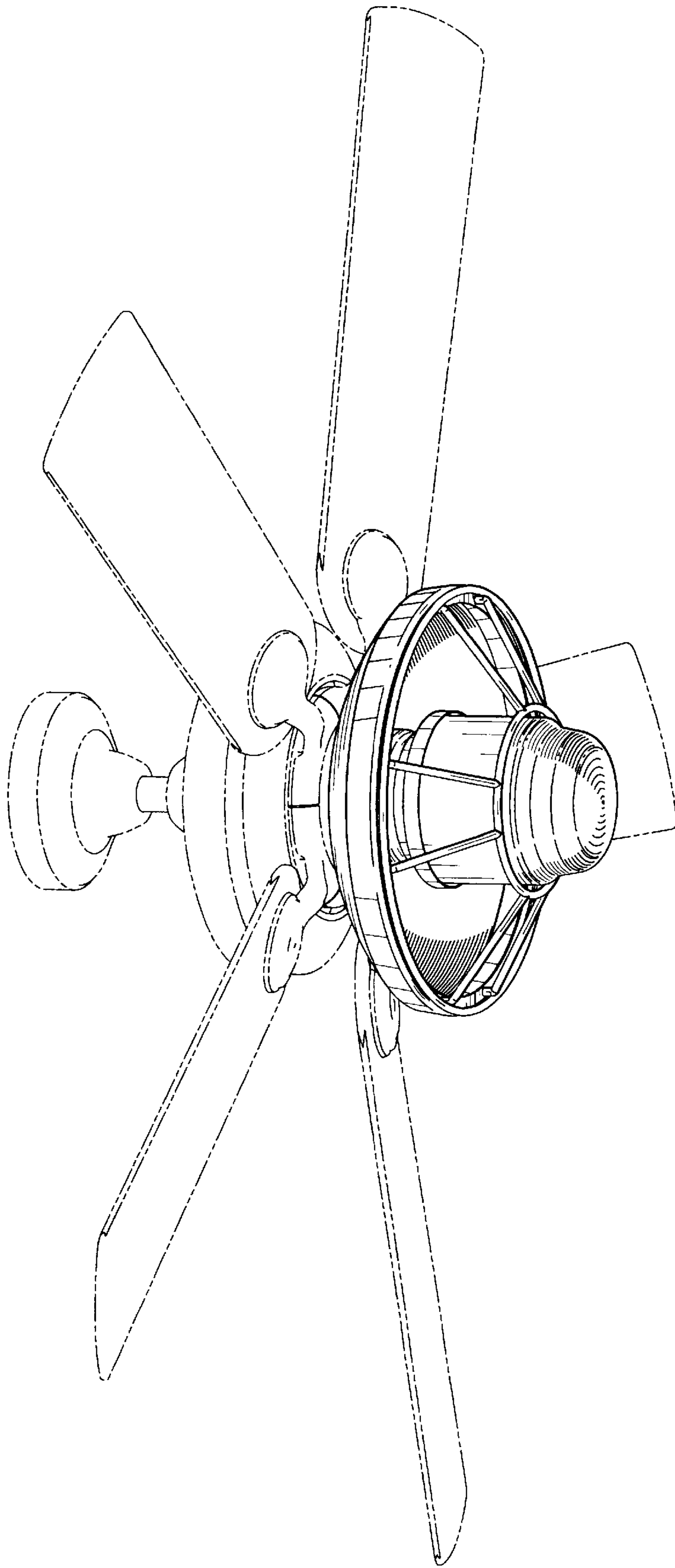


FIG 1

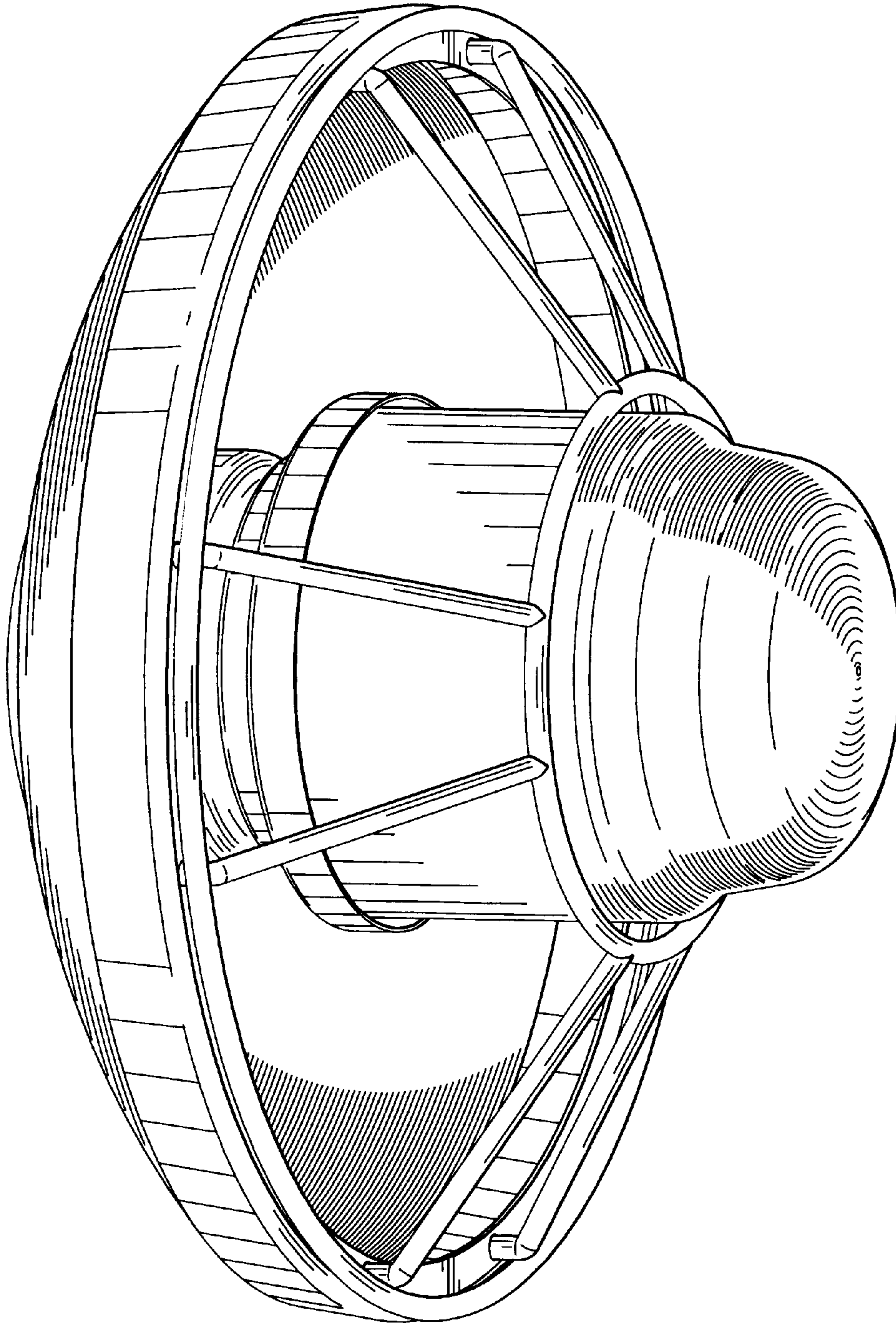


FIG 2

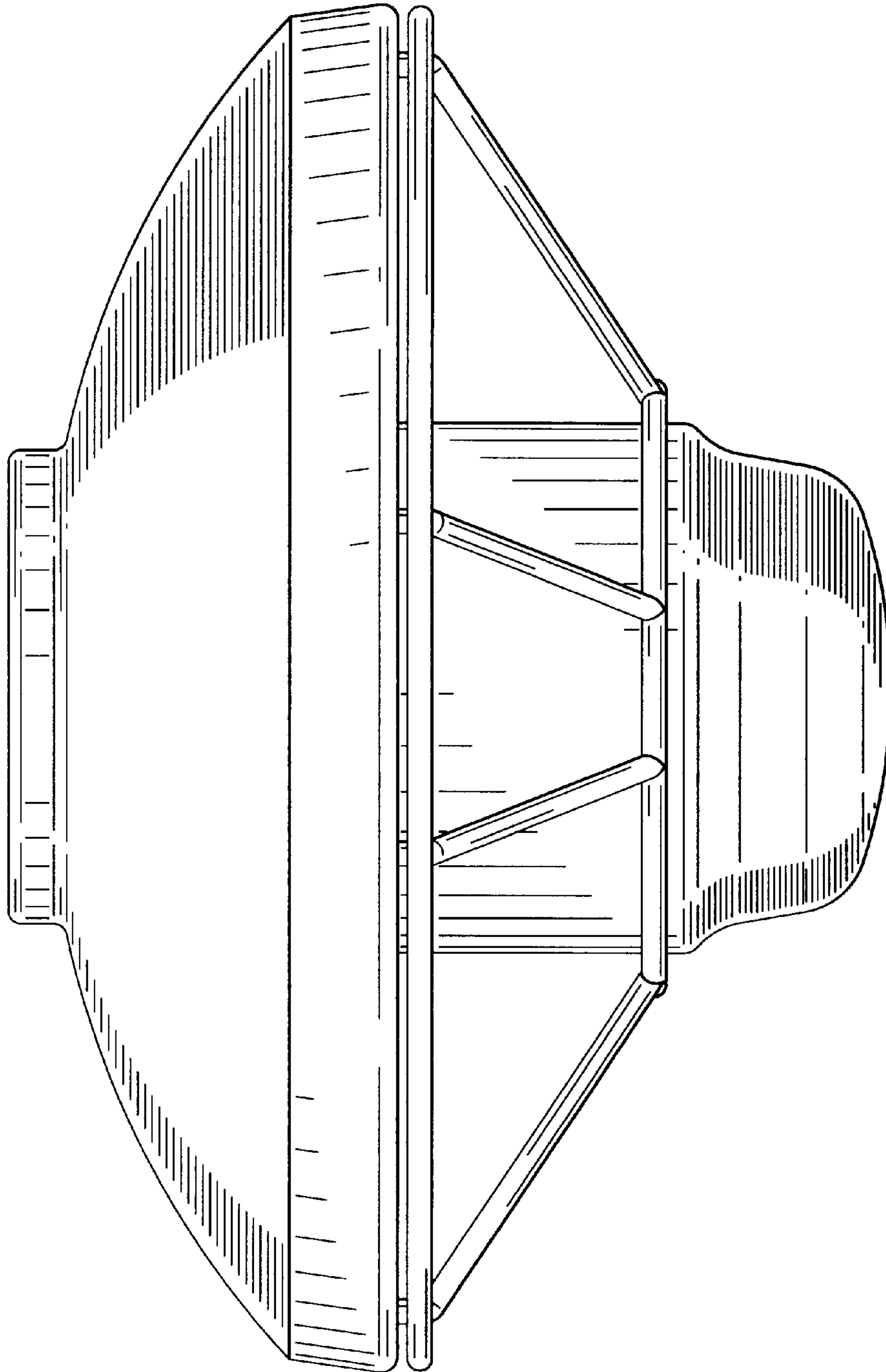


FIG 3

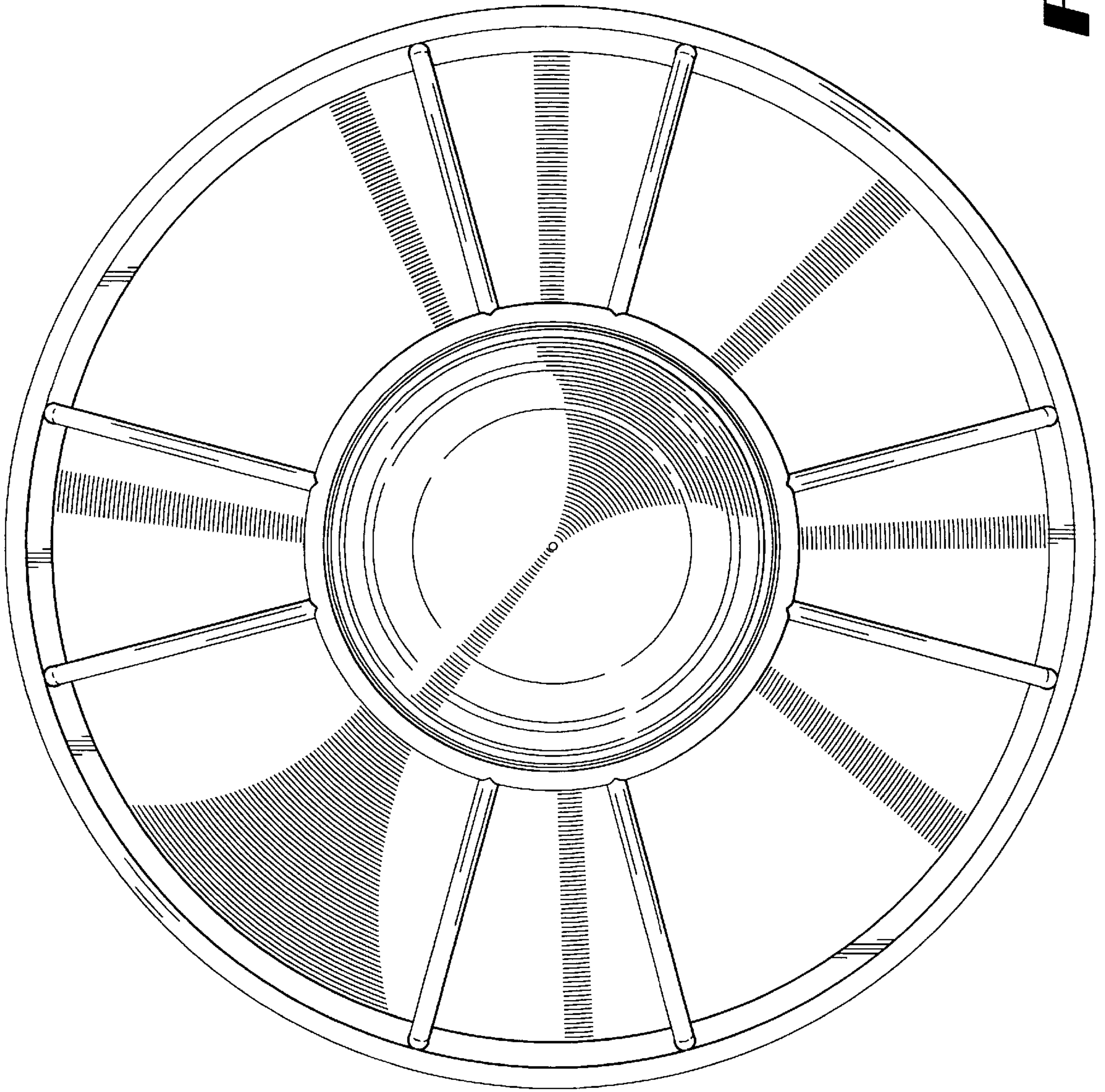


FIG 4

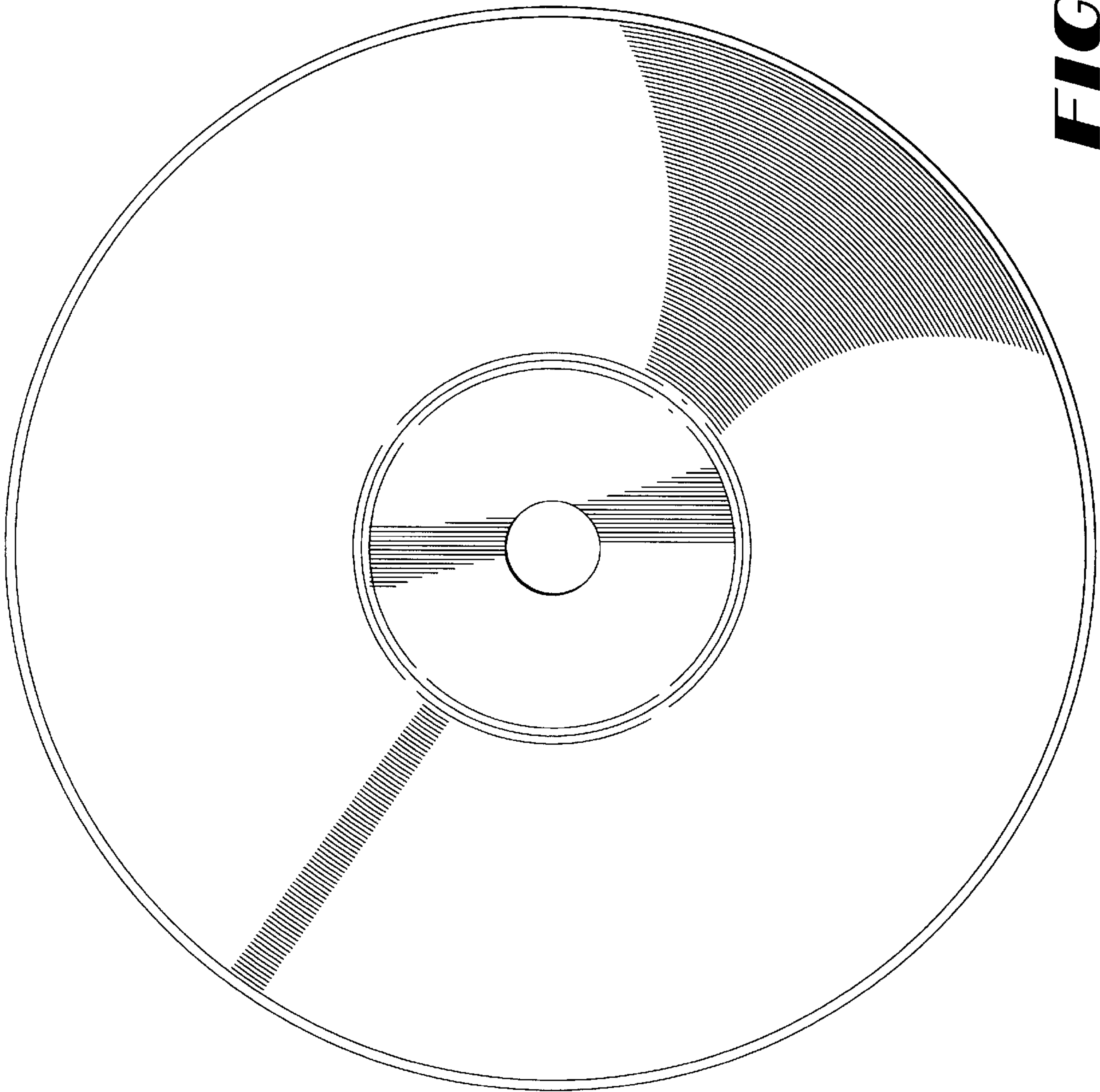


FIG 5