



US00D449395B1

(12) **United States Design Patent**  
**Dalton et al.**

(10) **Patent No.:** **US D449,395 S**

(45) **Date of Patent:** **\*\* Oct. 16, 2001**

(54) **FLASHLIGHT**

(75) Inventors: **David Richard Dalton**, Turrumurra;  
**John Robert Brown**, Mosman;  
**Timothy James Rugendyke**, Lakemba,  
all of (AU)

(73) Assignee: **Eveready Battery Company, Inc.**, St.  
Louis, MO (US)

(\*\*) Term: **14 Years**

(21) Appl. No.: **29/129,924**

(22) Filed: **Sep. 25, 2000**

(51) **LOC (7) Cl.** ..... **26-02**

(52) **U.S. Cl.** ..... **D26/49**

(58) **Field of Search** ..... D26/37-50; 362/157,  
362/158, 171, 173, 183-208

(56) **References Cited**

**U.S. PATENT DOCUMENTS**

- D. 404,840 \* 1/1999 Van Deursen et al. .... D26/49
- D. 423,129 \* 4/2000 Nakagawa ..... D26/49
- D. 429,015 \* 8/2000 Garrity et al. .... D26/49

\* cited by examiner

*Primary Examiner*—Marcus A. Jackson  
(74) *Attorney, Agent, or Firm*—Robert W. Welsh

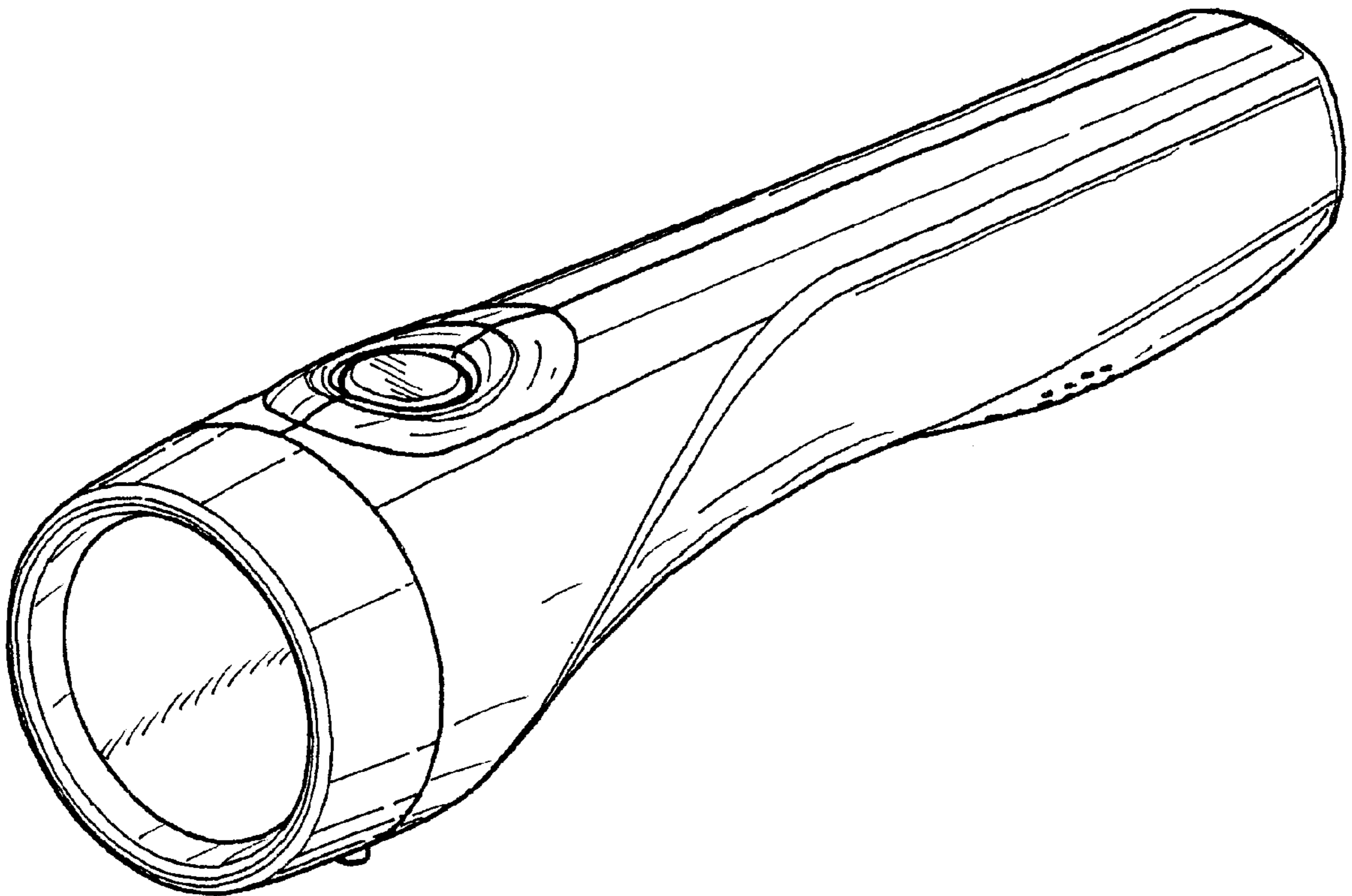
(57) **CLAIM**

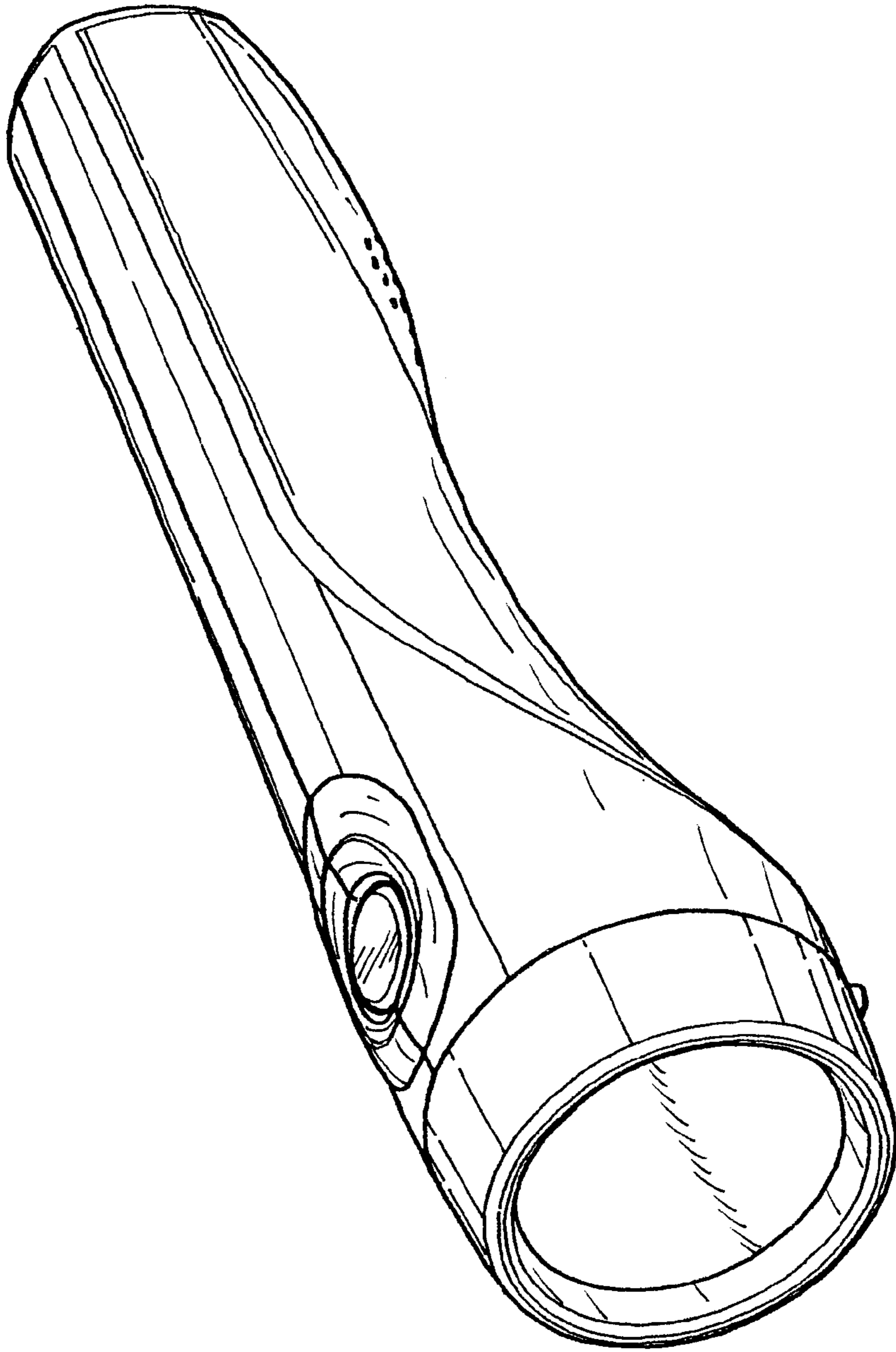
We claim the ornamental design for a flashlight, as shown and described.

**DESCRIPTION**

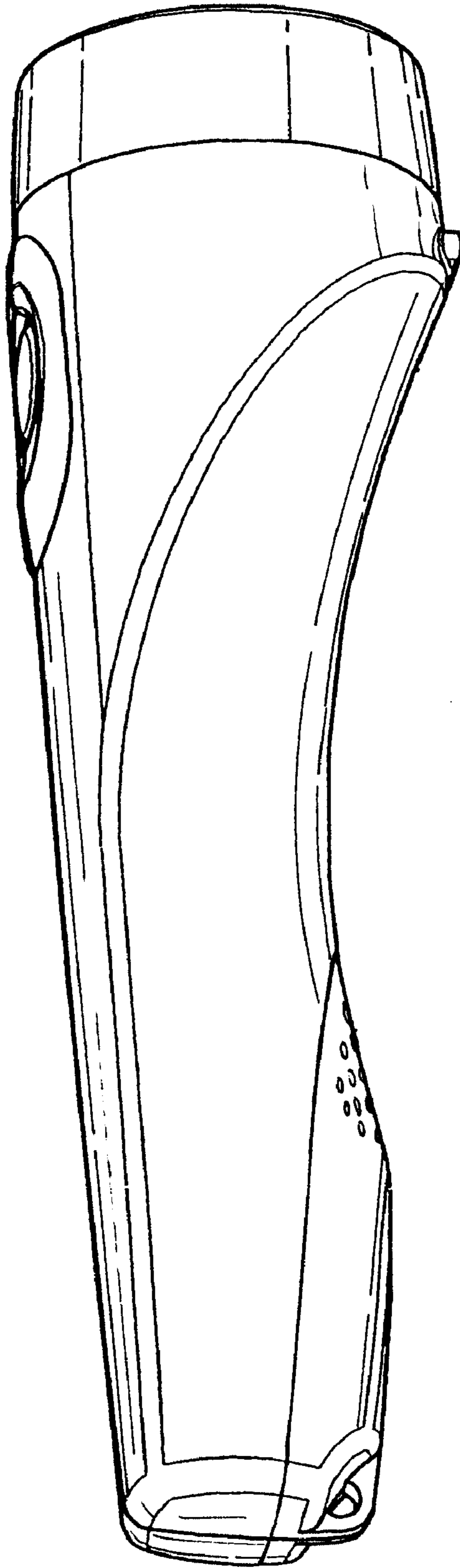
FIG. 1 is a perspective view showing the front, top, and a first side of the flashlight of the present invention;  
 FIG. 2 is a perspective view showing the rear and a second side of the flashlight of the present invention;  
 FIG. 3 is an elevational plan view of the top of the flashlight of the present invention;  
 FIG. 4 is an elevational plan view of the bottom of the flashlight of the present invention;  
 FIG. 5 is an elevational plan view of the first side of the flashlight of the present invention;  
 FIG. 6 is an elevational plan view of the second side of the flashlight of the present invention;  
 FIG. 7 is an elevational plan view of the front of the flashlight of the present invention; and,  
 FIG. 8 is an elevational plan view of the rear of the flashlight of the present invention.

**1 Claim, 8 Drawing Sheets**

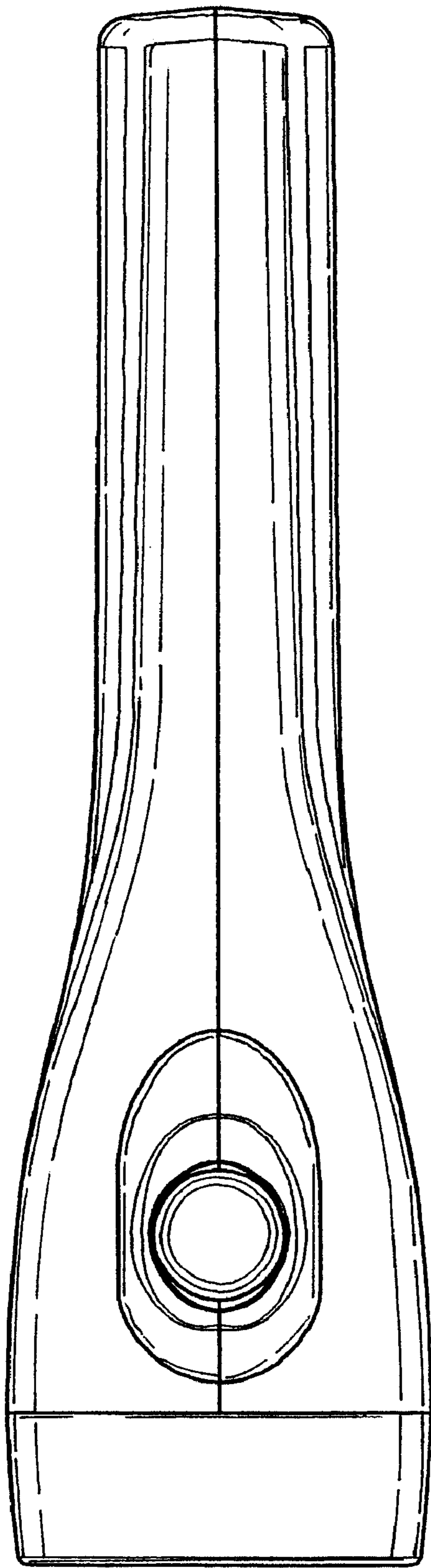




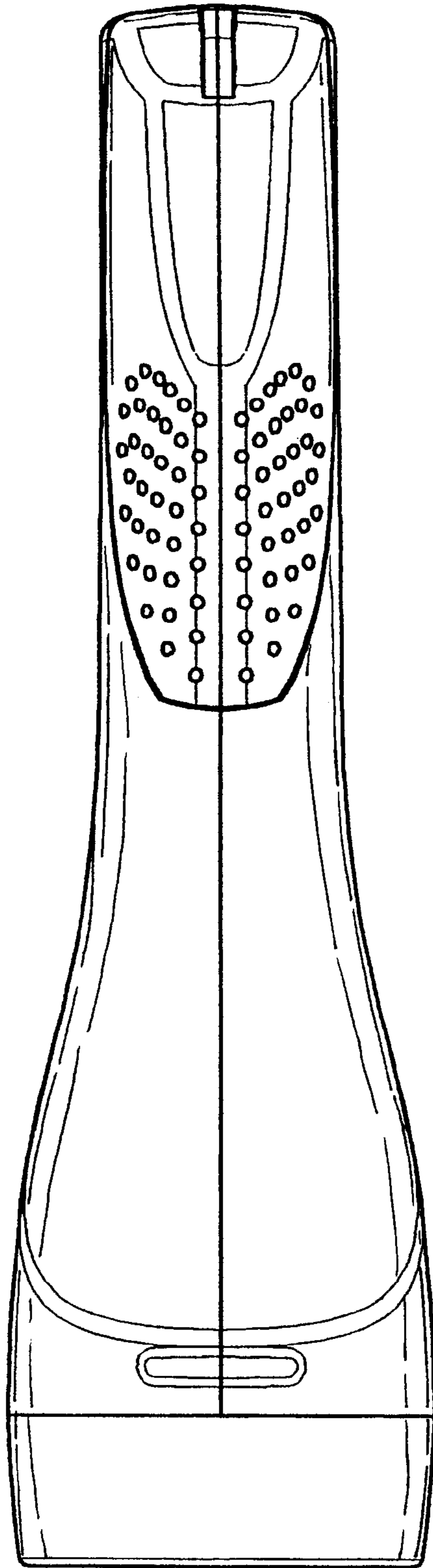
**FIG. 1**



**FIG. 2**



**FIG. 3**



**FIG. 4**



**FIG. 5**

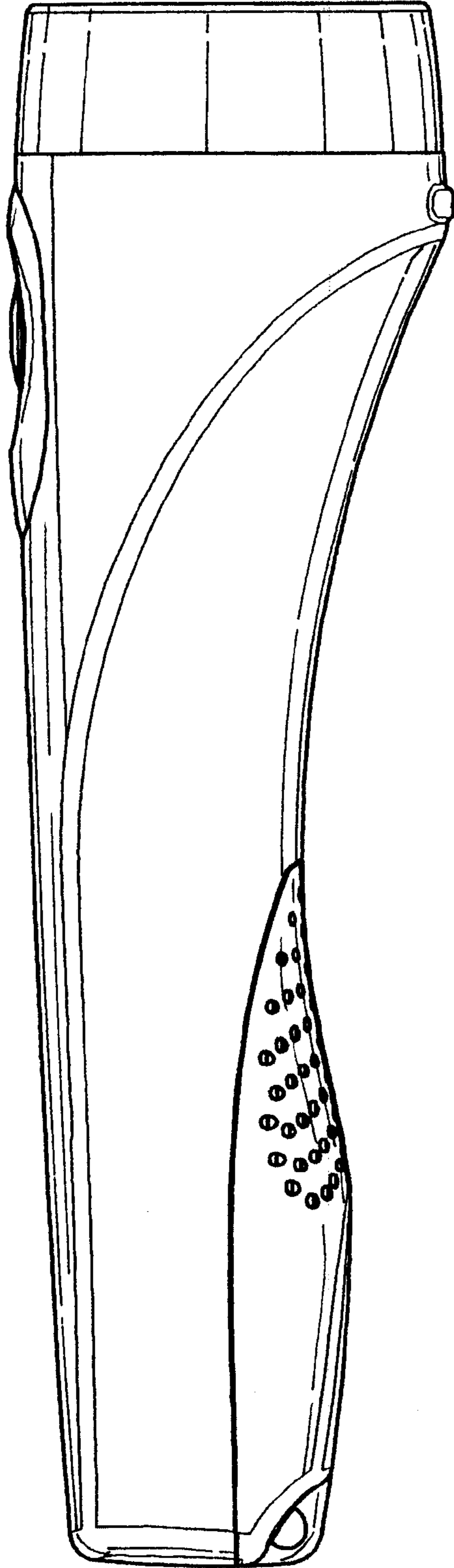
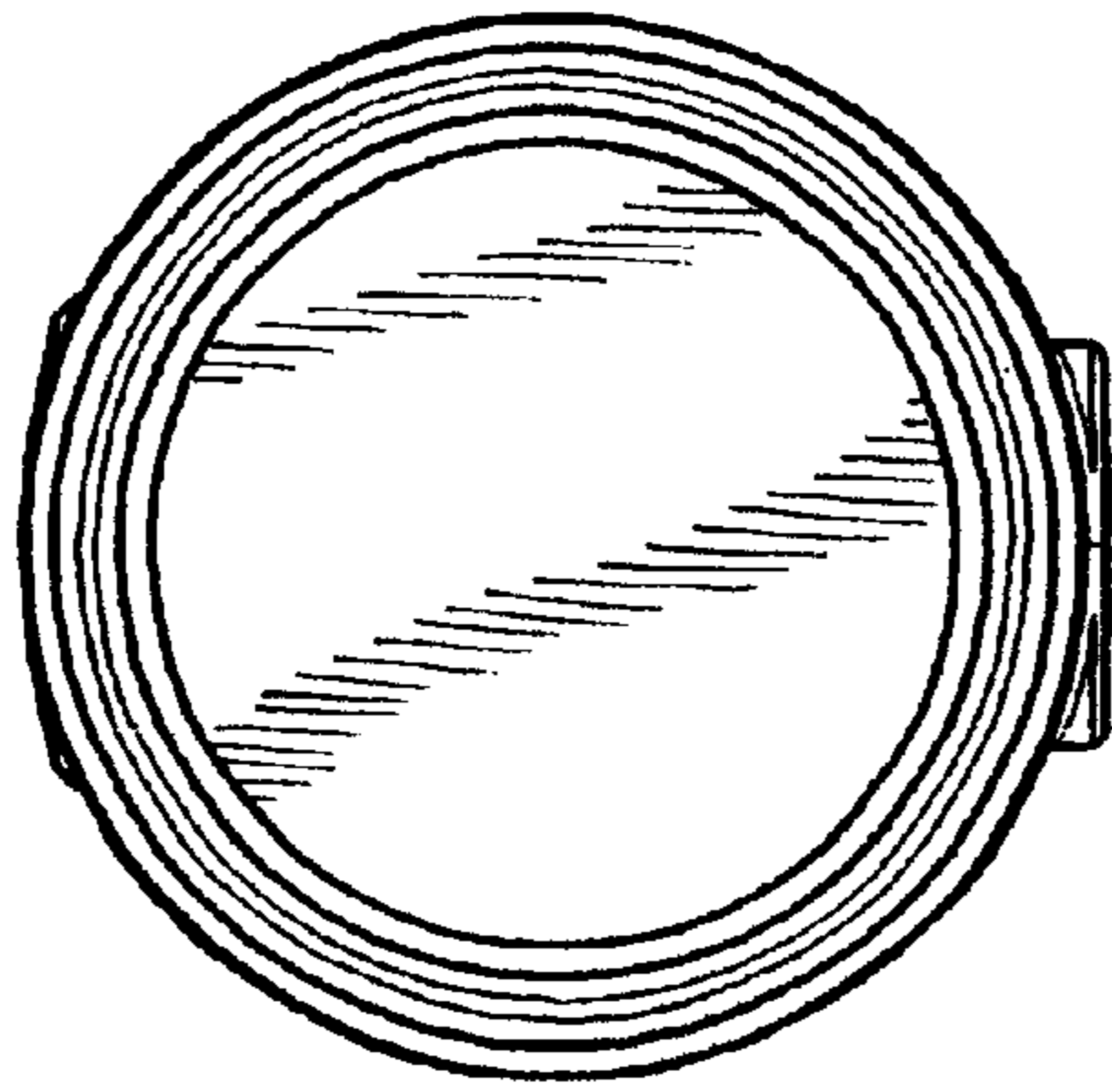
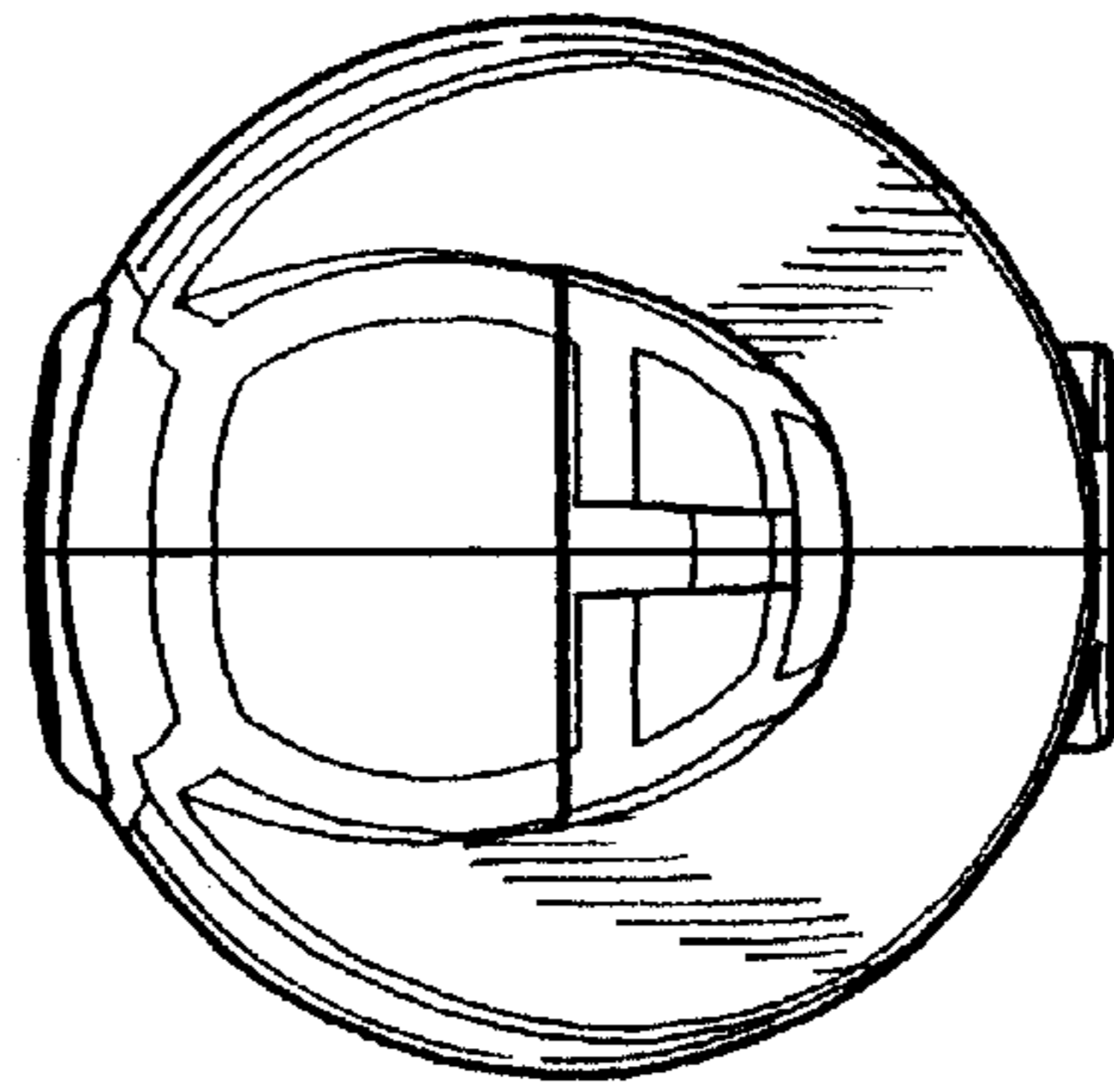


FIG. 6



**FIG. 7**





**FIG. 8**