



US00D449394B1

(12) **United States Design Patent**
Parker

(10) **Patent No.:** **US D449,394 S**

(45) **Date of Patent:** **** Oct. 16, 2001**

(54) **FLASHLIGHT**

(75) **Inventor:** **David H. Parker**, Torrance, CA (US)

(73) **Assignee:** **Pelican Products, Inc.**, Torrance, CA (US)

(**) **Term:** **14 Years**

(21) **Appl. No.:** **29/136,823**

(22) **Filed:** **Feb. 7, 2001**

(51) **LOC (7) Cl.** **26-02**

(52) **U.S. Cl.** **D26/37**

(58) **Field of Search** D26/37-50; 362/157,
362/162, 171, 178, 187, 188, 189, 190,
191, 194, 195, 196, 197, 198, 199, 200,
201, 202, 203, 204, 205, 206

(56) **References Cited**

U.S. PATENT DOCUMENTS

D. 303,846 * 10/1989 Parker D26/49

D. 358,842 * 5/1995 Shiau D26/38 X
D. 420,457 * 2/2000 Breit D26/49
D. 429,014 * 8/2000 Stephens D26/49
D. 439,690 3/2001 Parker .

* cited by examiner

Primary Examiner—Susan J. Lucas

(74) *Attorney, Agent, or Firm*—Oppenheimer, Wolff & Donnelly LLP

(57) **CLAIM**

The ornamental design for a flashlight, as shown and described.

DESCRIPTION

FIG. 1 is a perspective view from the front of the flashlight; FIG. 2 is a side view of the flashlight; FIG. 3 is a front view of the flashlight; FIG. 4 is a rear view of the flashlight; FIG. 5 is a top view of the flashlight; and, FIG. 6 is a bottom view of the flashlight.

1 Claim, 2 Drawing Sheets

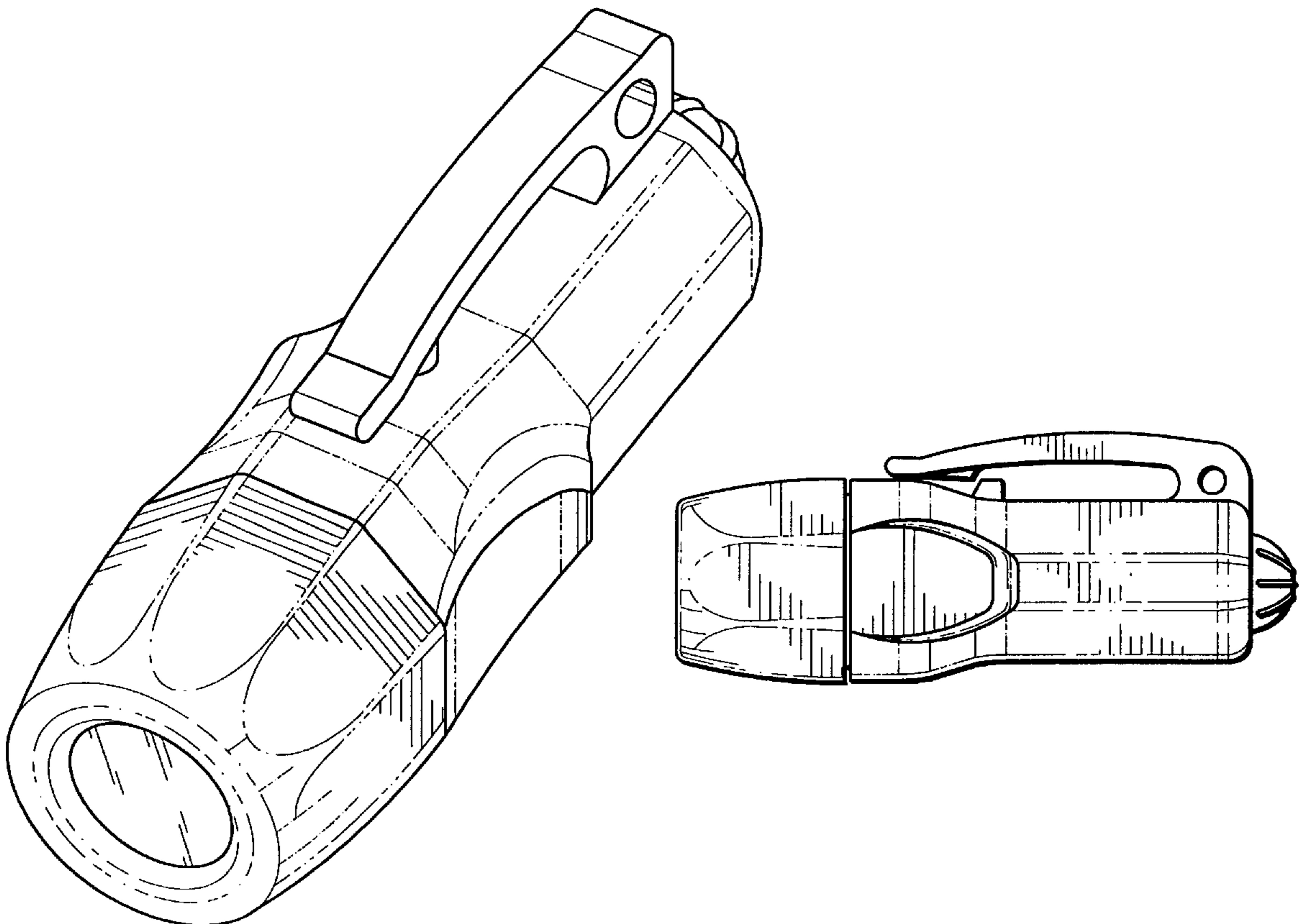
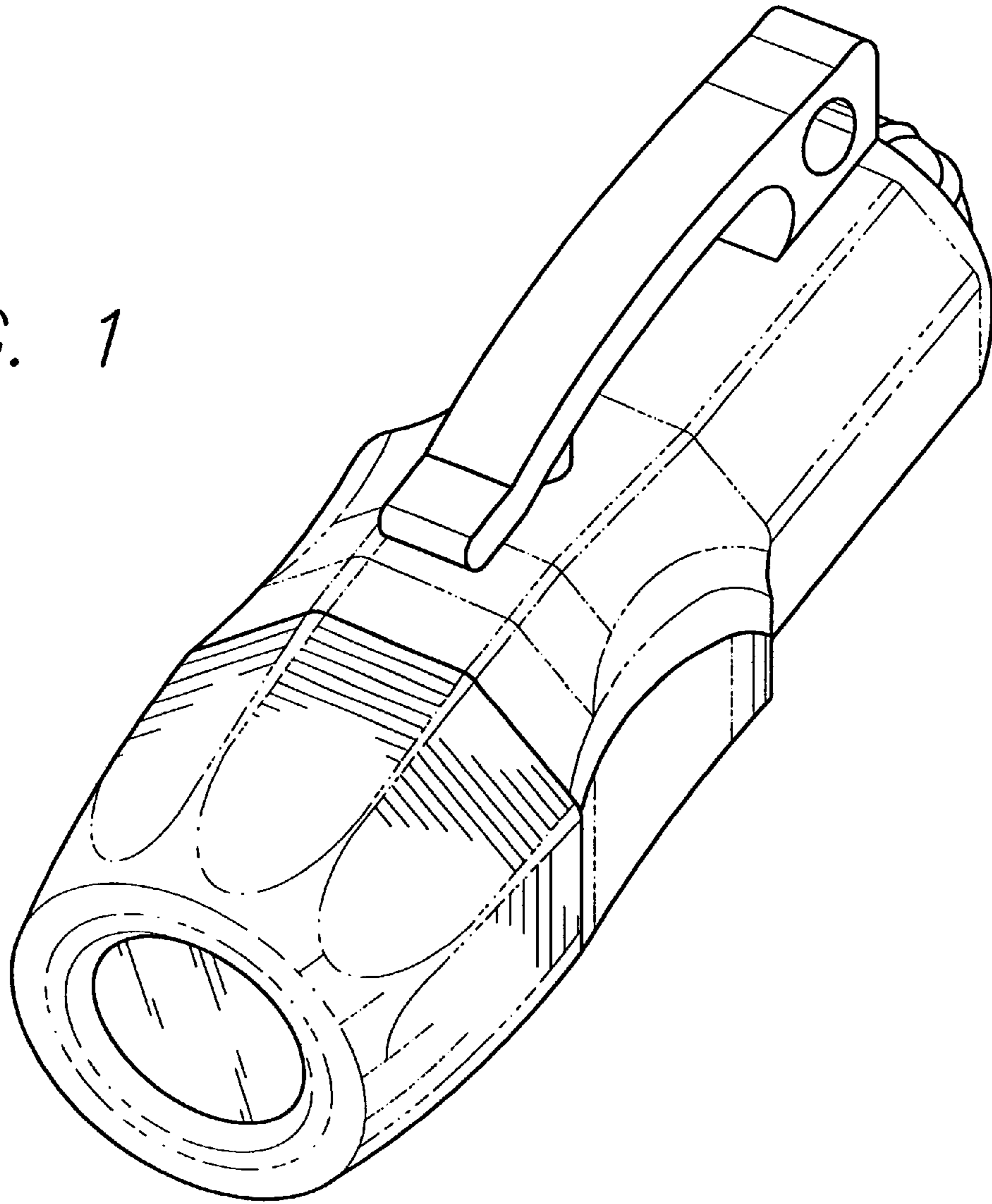


FIG. 1



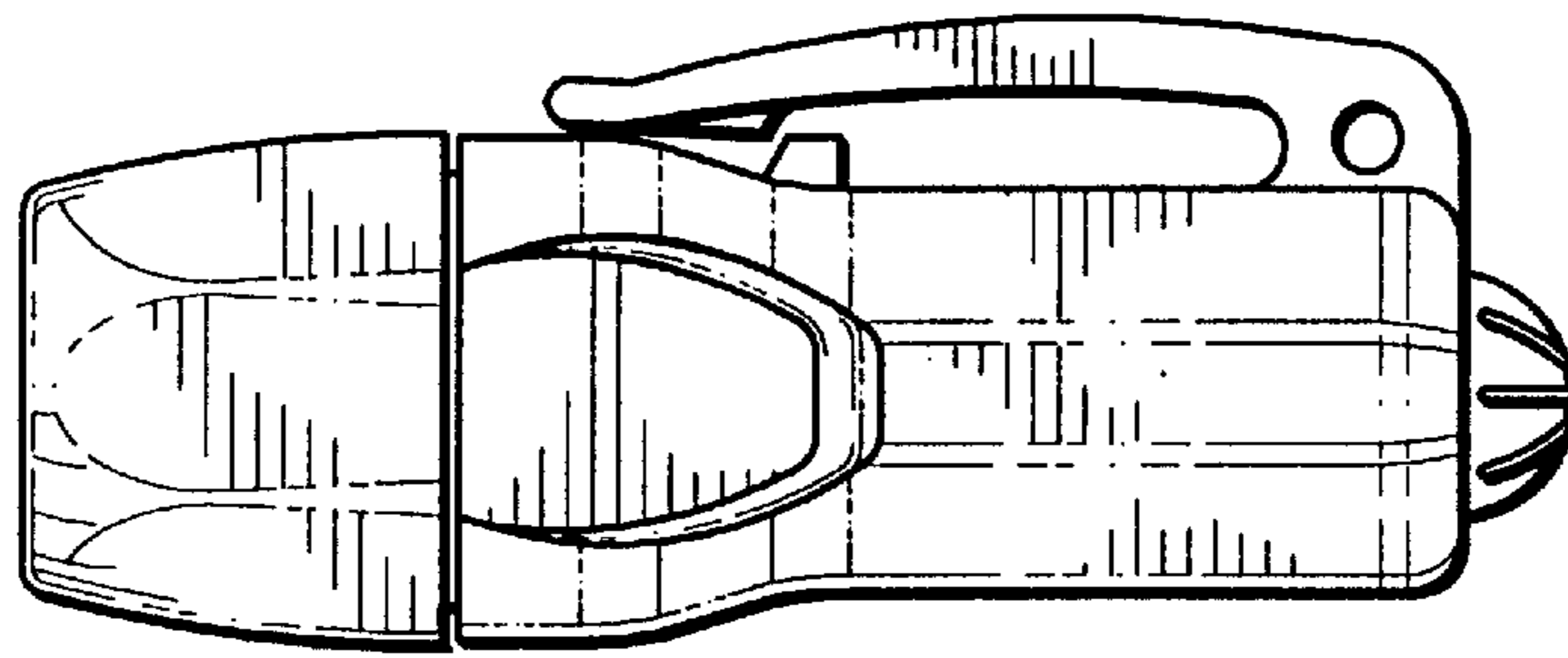


FIG. 2

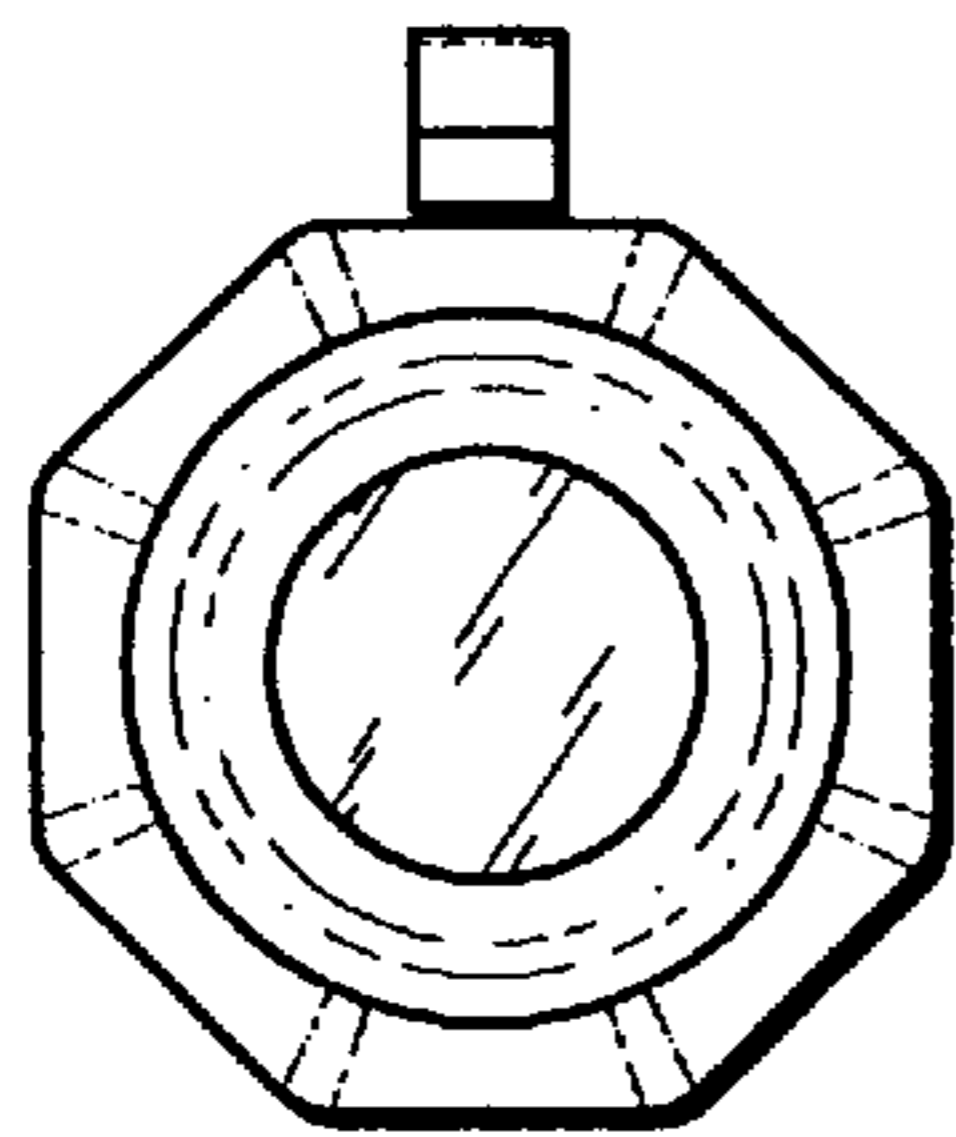


FIG. 3

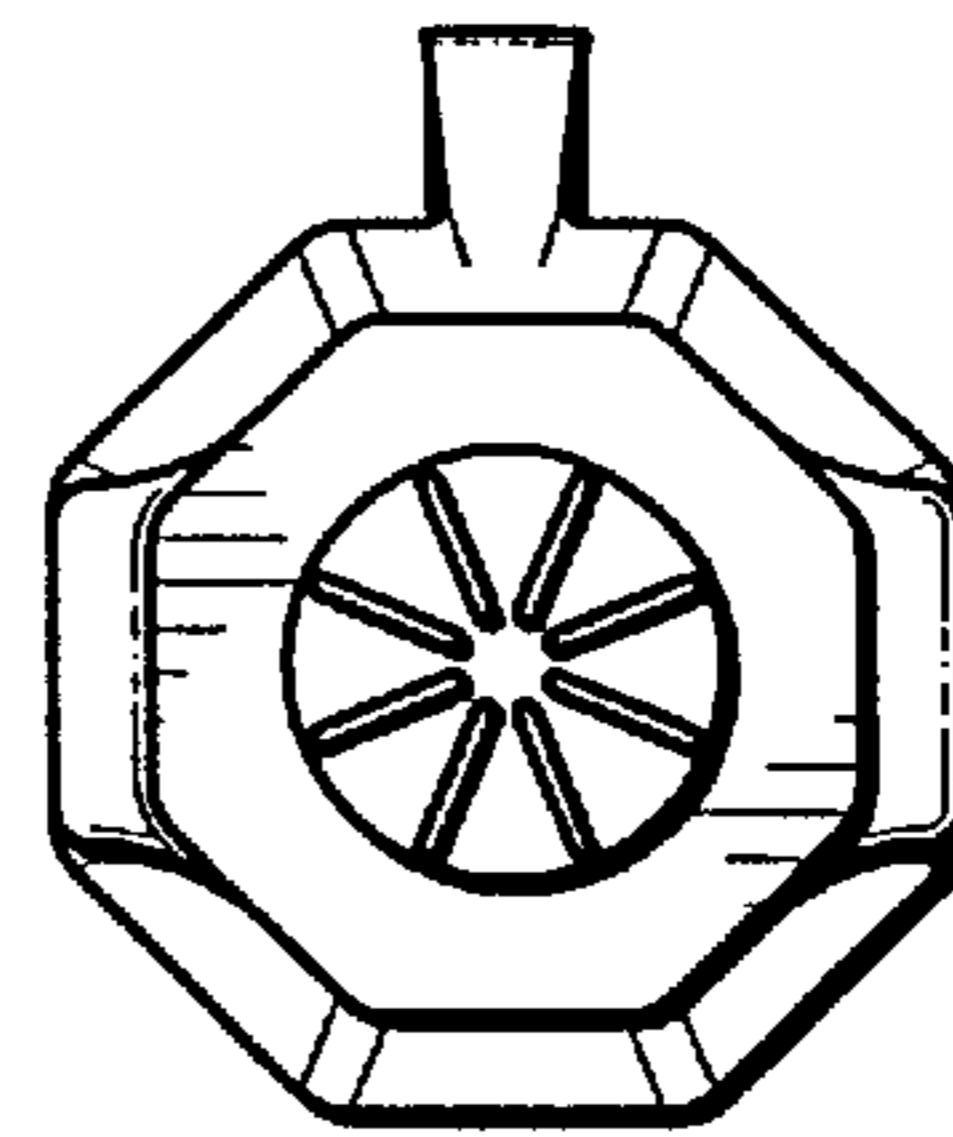


FIG. 4

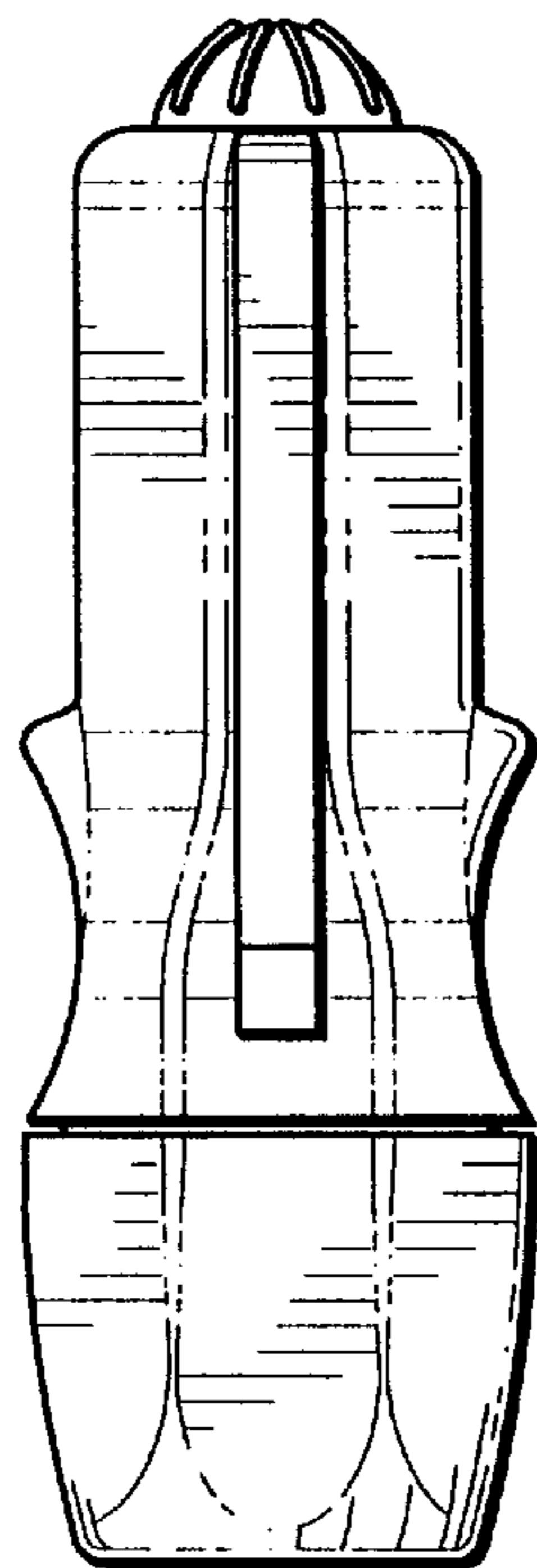


FIG. 5

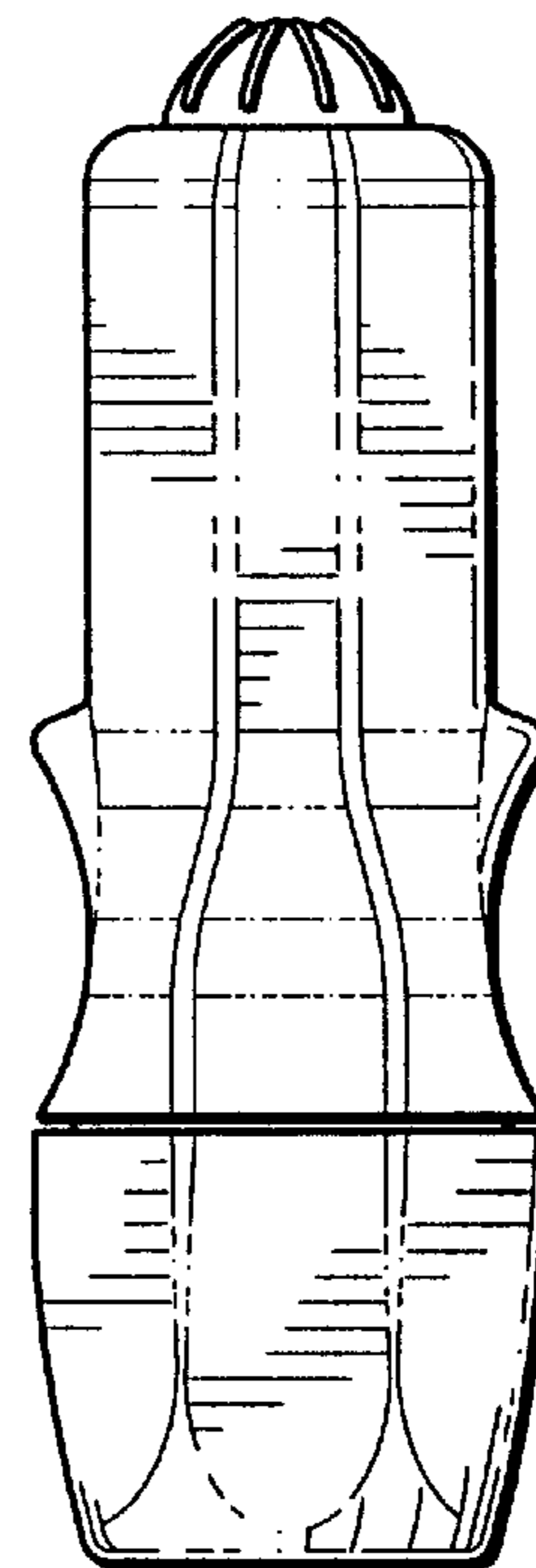


FIG. 6