



US00D449393B1

(12) **United States Design Patent**
Yamamoto et al.

(10) **Patent No.:** **US D449,393 S**

(45) **Date of Patent:** **** Oct. 16, 2001**

(54) **REAR COMBINATION LAMP FOR AN
AUTOMOBILE**

(75) Inventors: **Masashi Yamamoto; Hiroshi Kannan;
Takahiro Suzuki**, all of Wako (JP)

(73) Assignee: **Honda Giken Kogyo Kabushiki
Kaisha**, Tokyo (JP)

(**) Term: **14 Years**

(21) Appl. No.: **29/140,842**

(22) Filed: **Apr. 26, 2001**

(30) **Foreign Application Priority Data**

Oct. 27, 2000 (JP) 12-030789

(51) **LOC (7) Cl.** **26-02**

(52) **U.S. Cl.** **D26/28**

(58) **Field of Search** D26/28-36; D21/581,
D21/424; D12/82, 86, 90, 91, 92; 362/459,
460, 465, 487, 497, 498, 499, 541, 542,
543, 544, 546, 549; 340/901, 472, 471,
468, 467, 465

(56) **References Cited**

U.S. PATENT DOCUMENTS

D. 227,799 * 7/1973 Taylor D26/28

D. 295,084 * 4/1988 Weber D26/35

D. 295,447 * 4/1988 Jones D26/35

D. 321,943 11/1991 Malmgren et al. .

D. 321,946 11/1991 Falck et al. .

* cited by examiner

Primary Examiner—Susan J. Lucas

(74) *Attorney, Agent, or Firm*—Armstrong, Westerman,
Hattori, McLeland & Naughton, LLP

(57) **CLAIM**

The ornamental design for a rear combination lamp for an
automobile, as shown and described.

DESCRIPTION

FIG. 1 is a perspective view of a rear combination lamp for
an automobile, showing our new design;

FIG. 2 is another perspective thereof;

FIG. 3 is a front view thereof;

FIG. 4 is a left side view thereof,

FIG. 5 is a right side view thereof,

FIG. 6 is a top plan view thereof; and,

FIG. 7 is a partially enlarged perspective view of FIG. 1.

The broken lines are for illustrative purposes only and no
part of the claimed design.

1 Claim, 5 Drawing Sheets

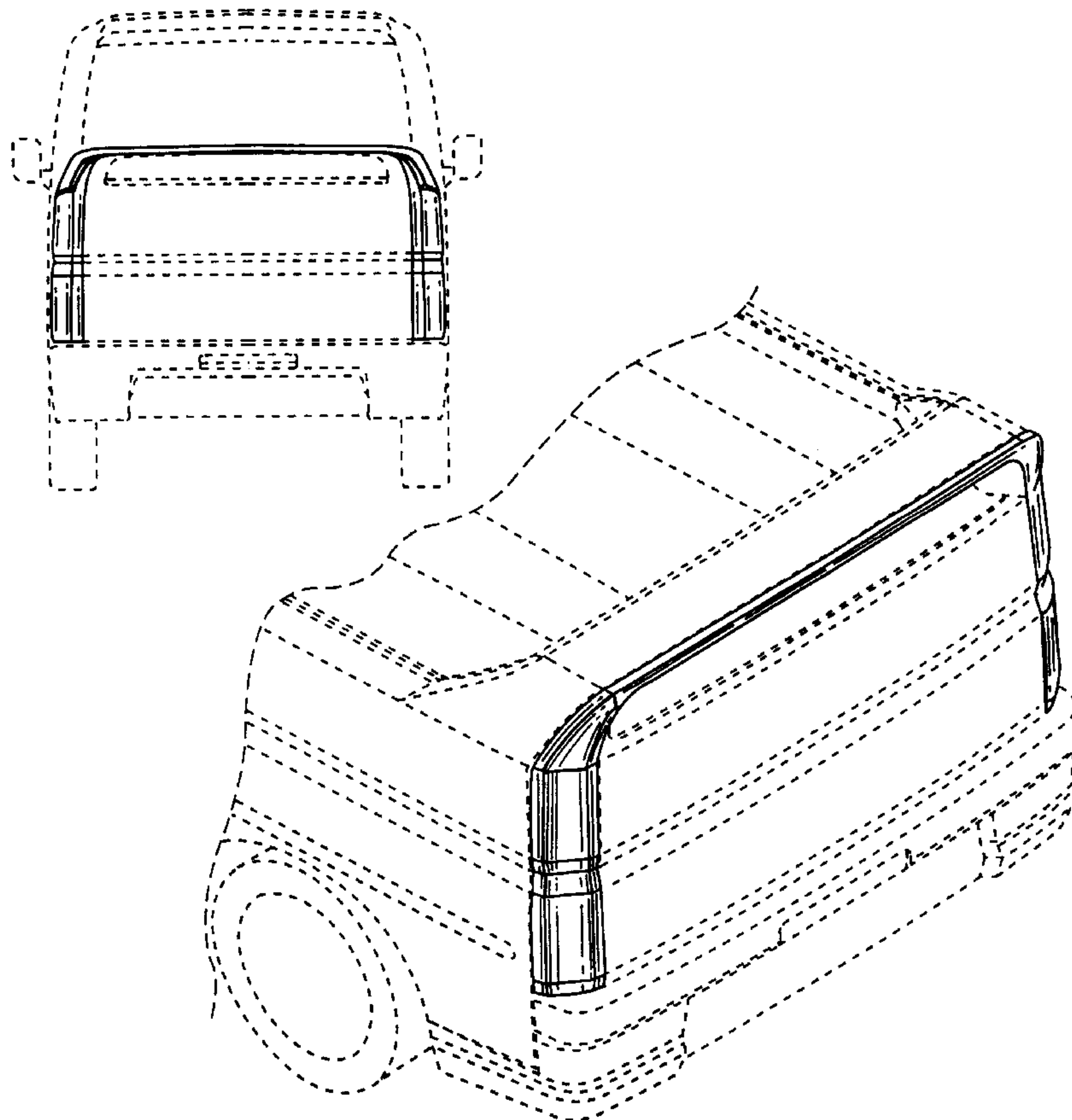


FIG.1

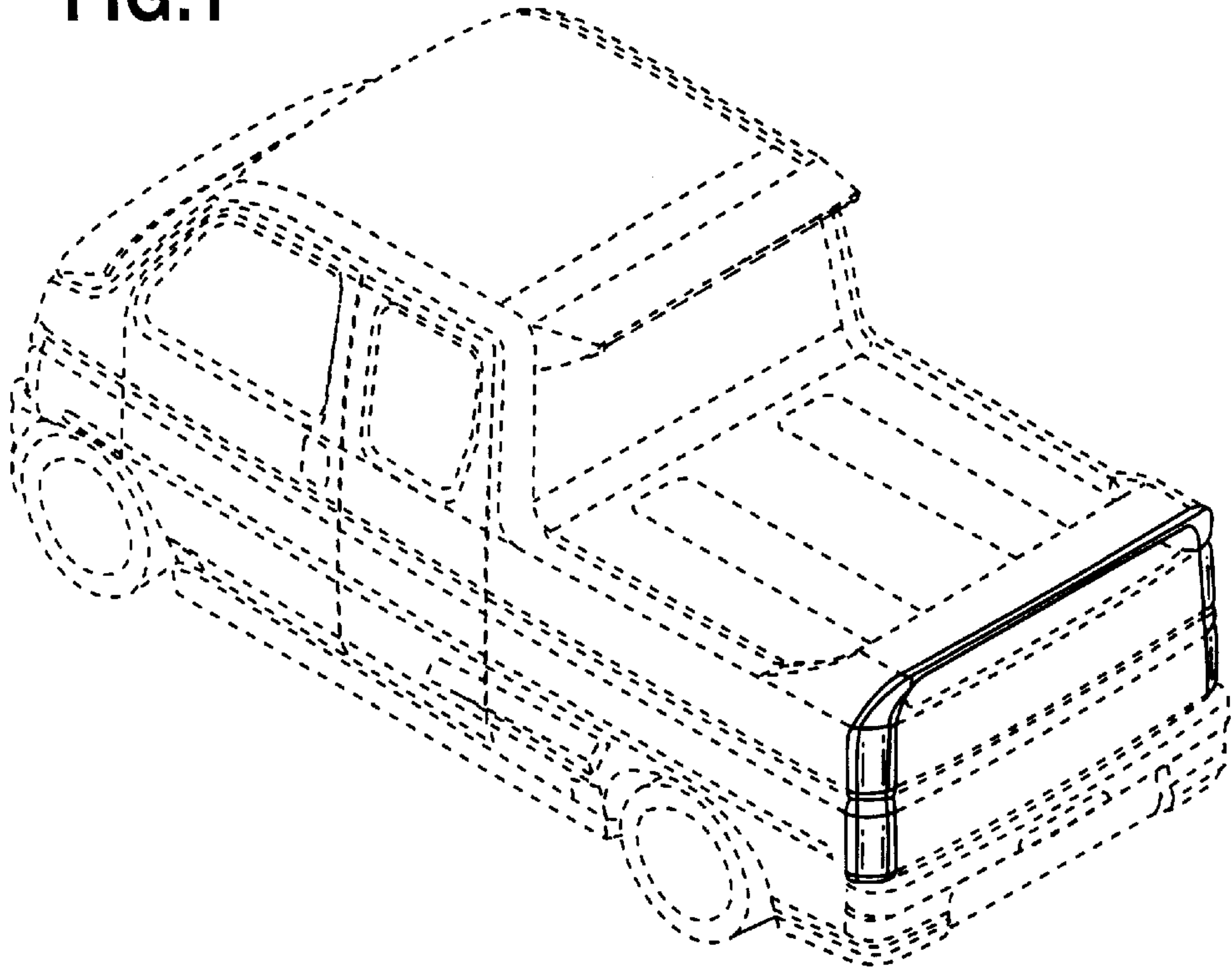


FIG.2

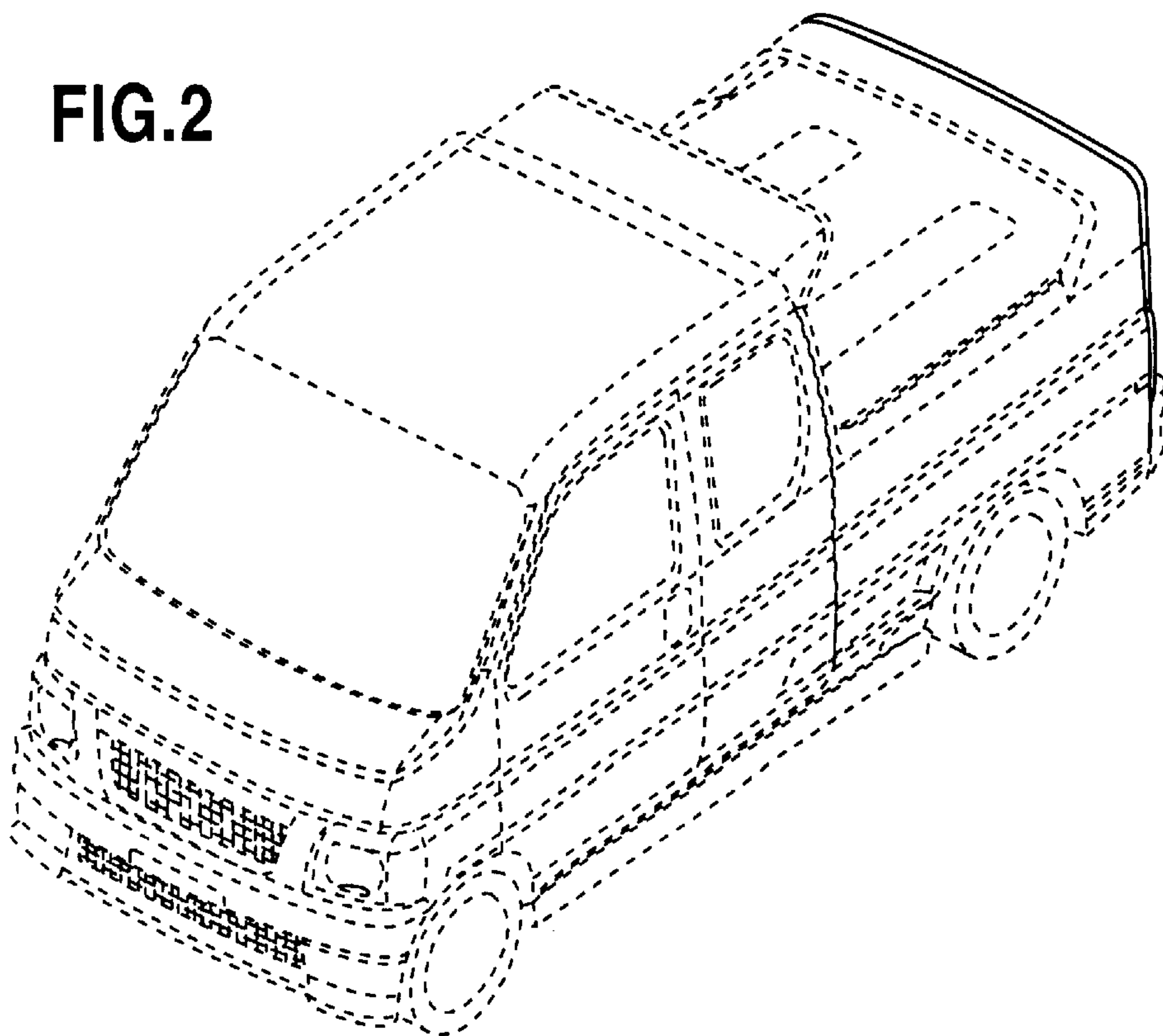


FIG.3

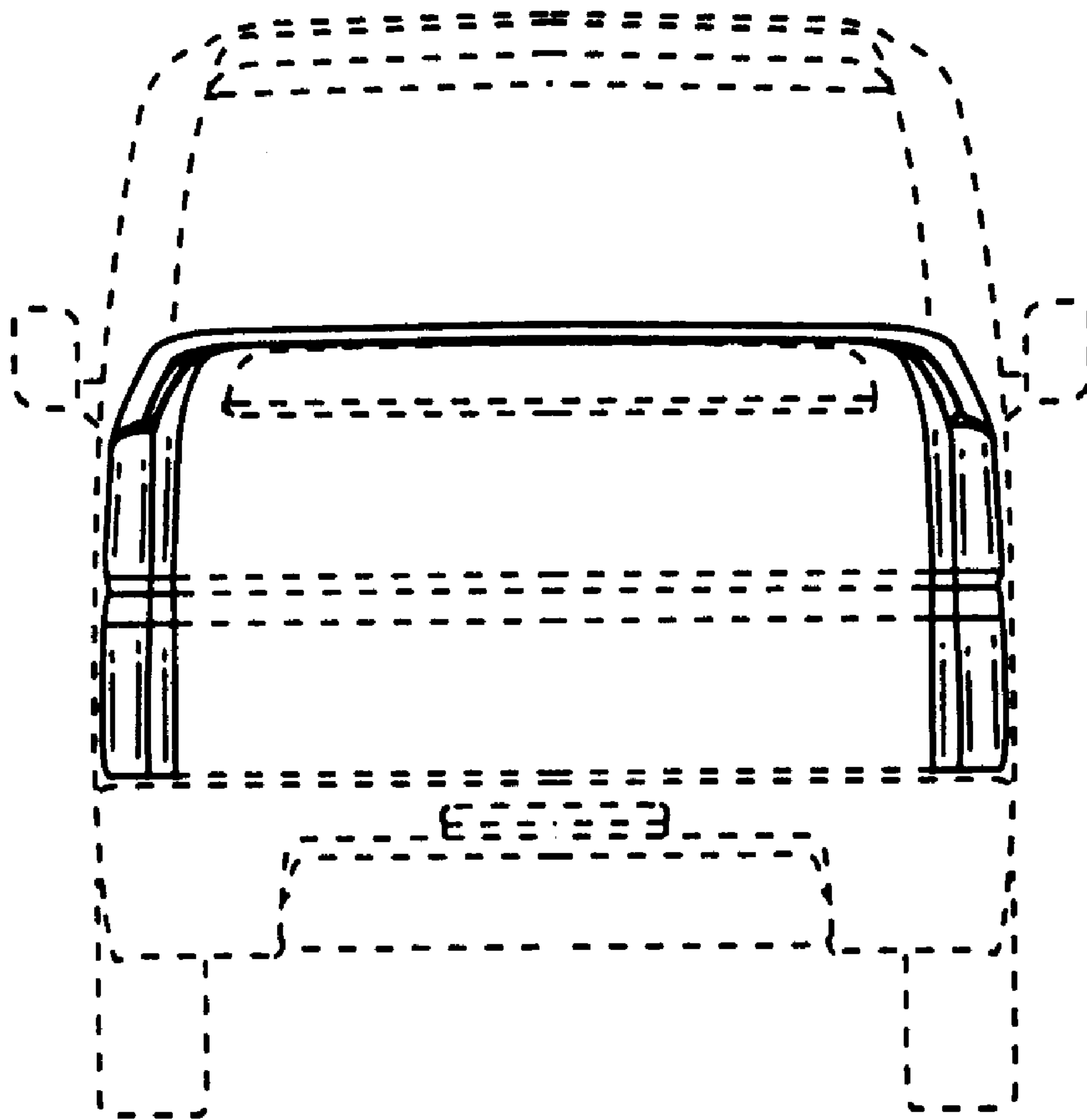


FIG.4

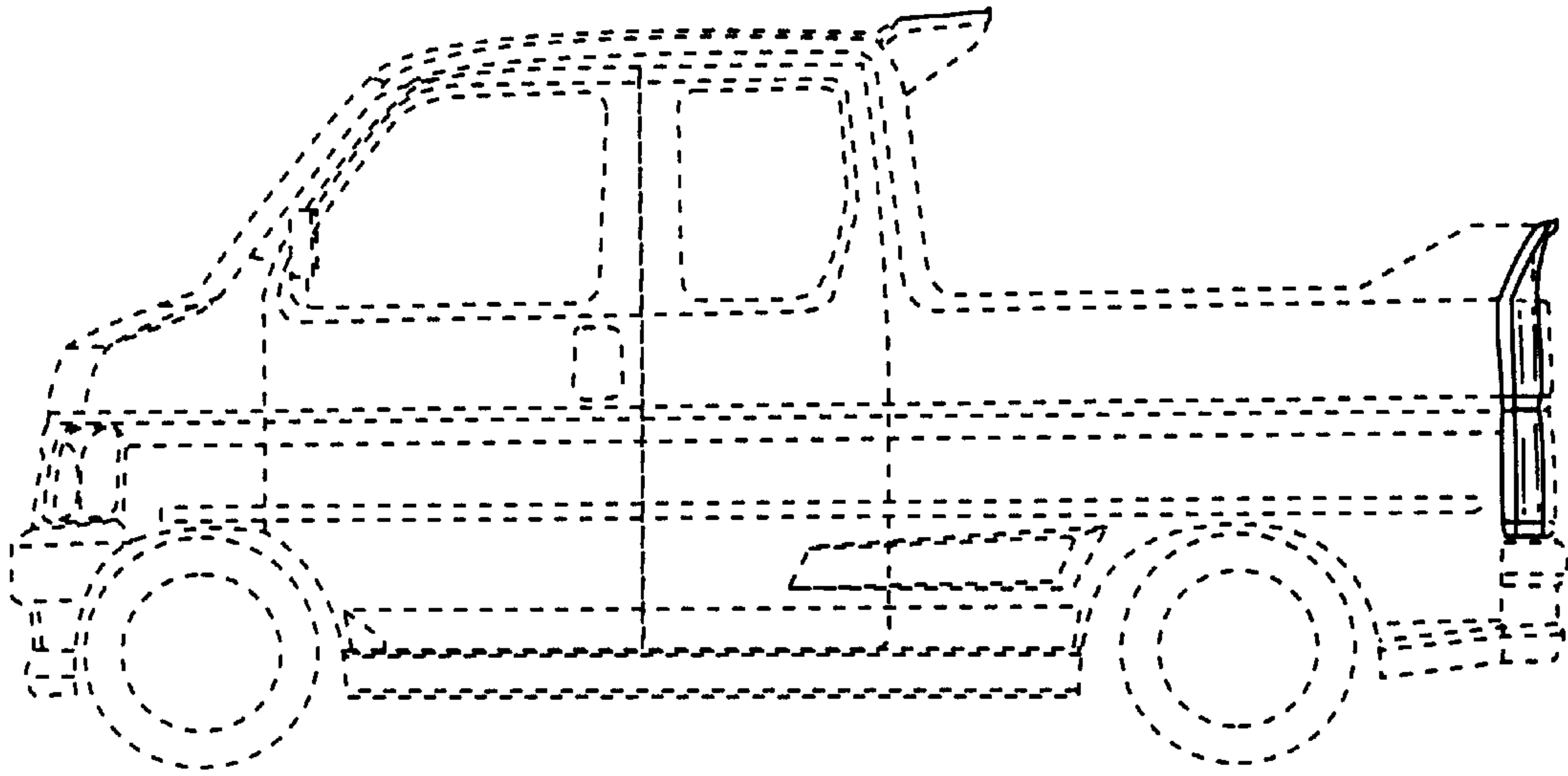


FIG.5

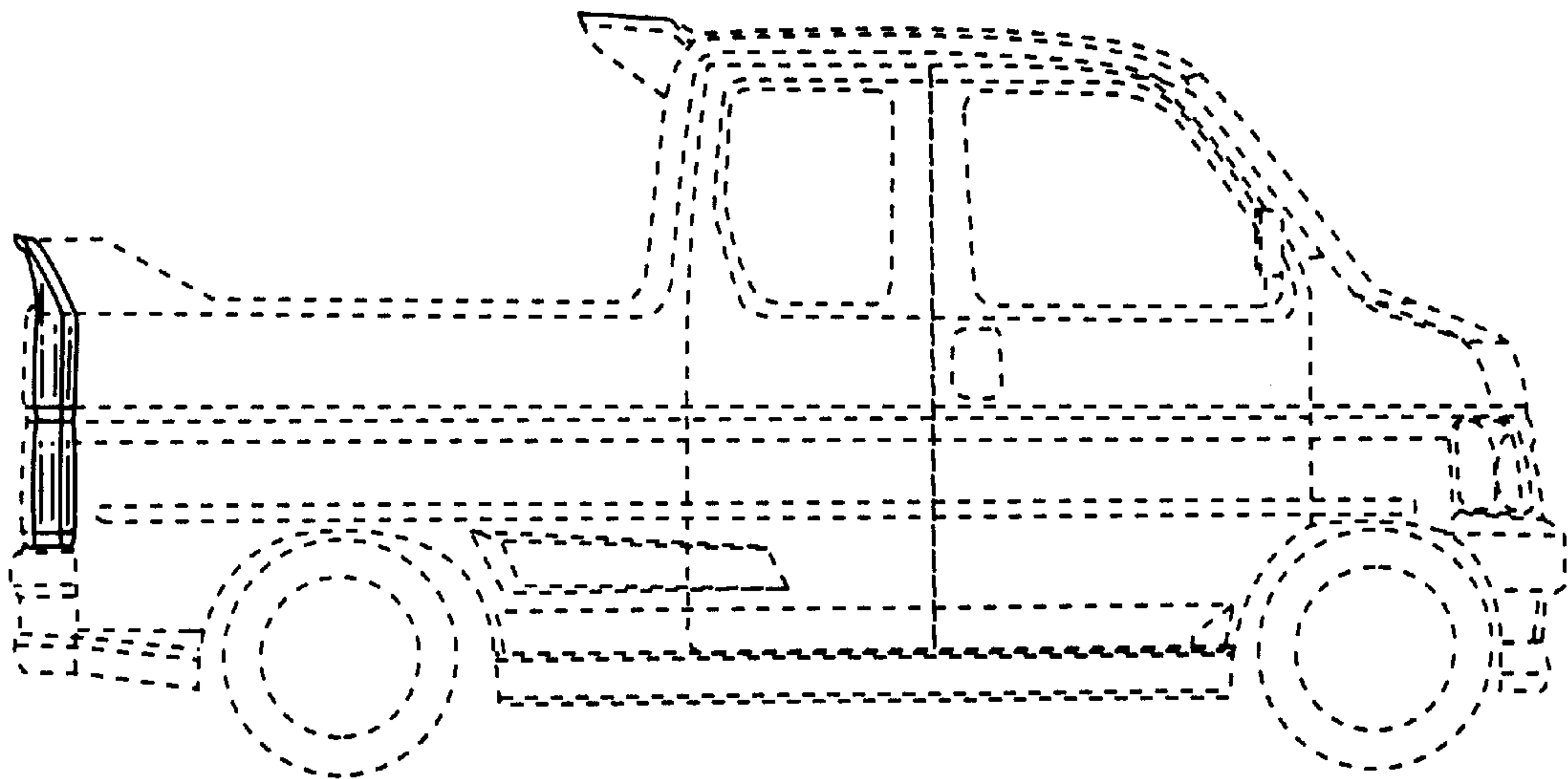


FIG.6

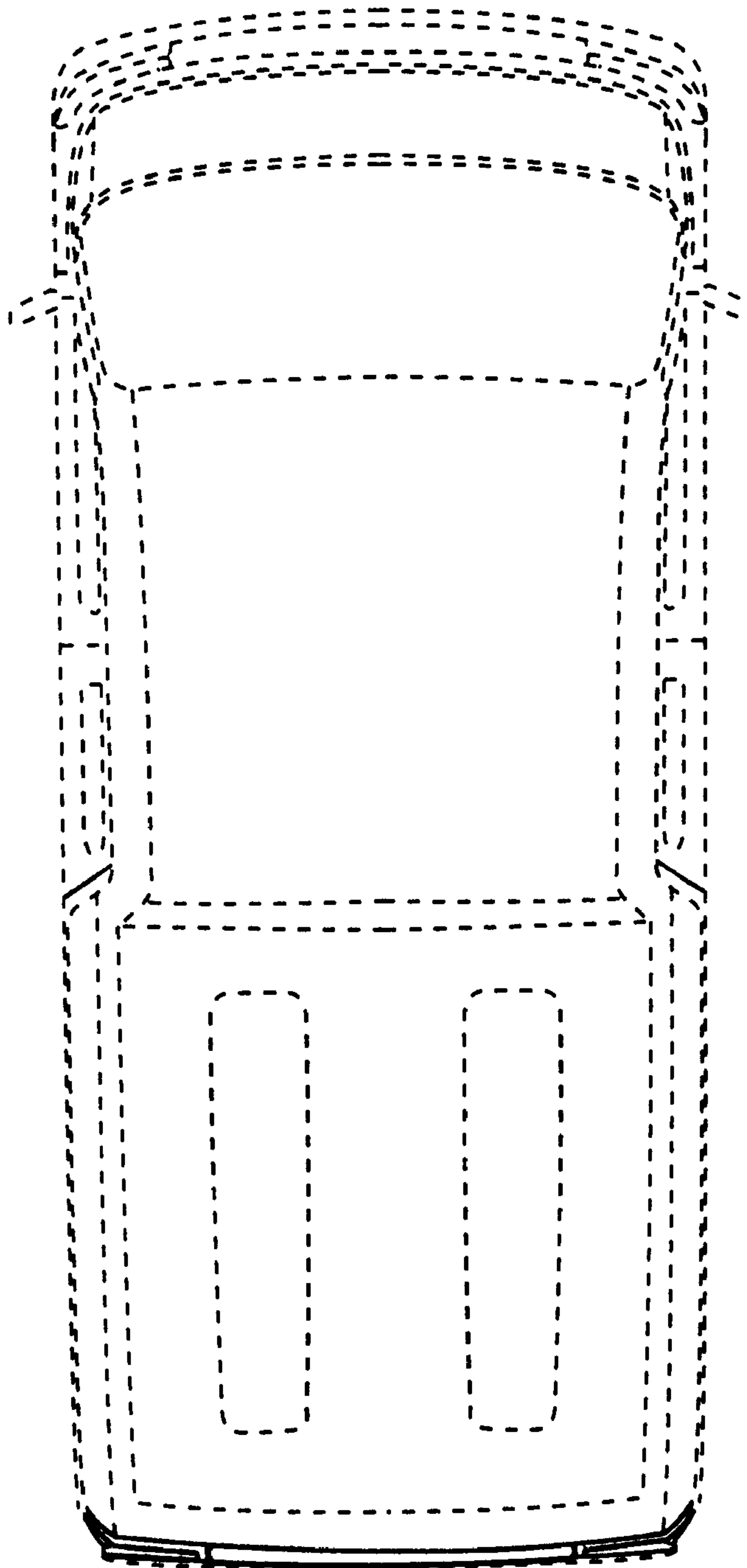


FIG.7

