



US00D449390B1

(12) **United States Design Patent**
Goss

(10) **Patent No.:** **US D449,390 S**

(45) **Date of Patent:** **** Oct. 16, 2001**

(54) **WINDOW COMPONENT EXTRUSION**

(75) Inventor: **Lorane Goss**, Slippery Rock, PA (US)

(73) Assignee: **Mikron Industries, Inc.**, Kent, WA (US)

(**) Term: **14 Years**

(21) Appl. No.: **29/132,040**

(22) Filed: **Oct. 31, 2000**

(51) **LOC (7) Cl.** **25-01**

(52) **U.S. Cl.** **D25/124**

(58) **Field of Search** D25/52, 60, 119-125;
49/501, 504, DIG. 2, 196, 407-408; 52/204.5,
204.62, 204.55, 204.53, 204.57, 204.58,
204.64, 204.65, 204.68, 209, 721

(56) **References Cited**

U.S. PATENT DOCUMENTS

D. 397,452 * 8/1998 Franson D25/124

D. 430,941 9/2000 Franson et al. .

* cited by examiner

Primary Examiner—Doris Clark

(74) *Attorney, Agent, or Firm*—Richardson & Folise

(57) **CLAIM**

The ornamental design for a window component extrusion, as shown and described.

DESCRIPTION

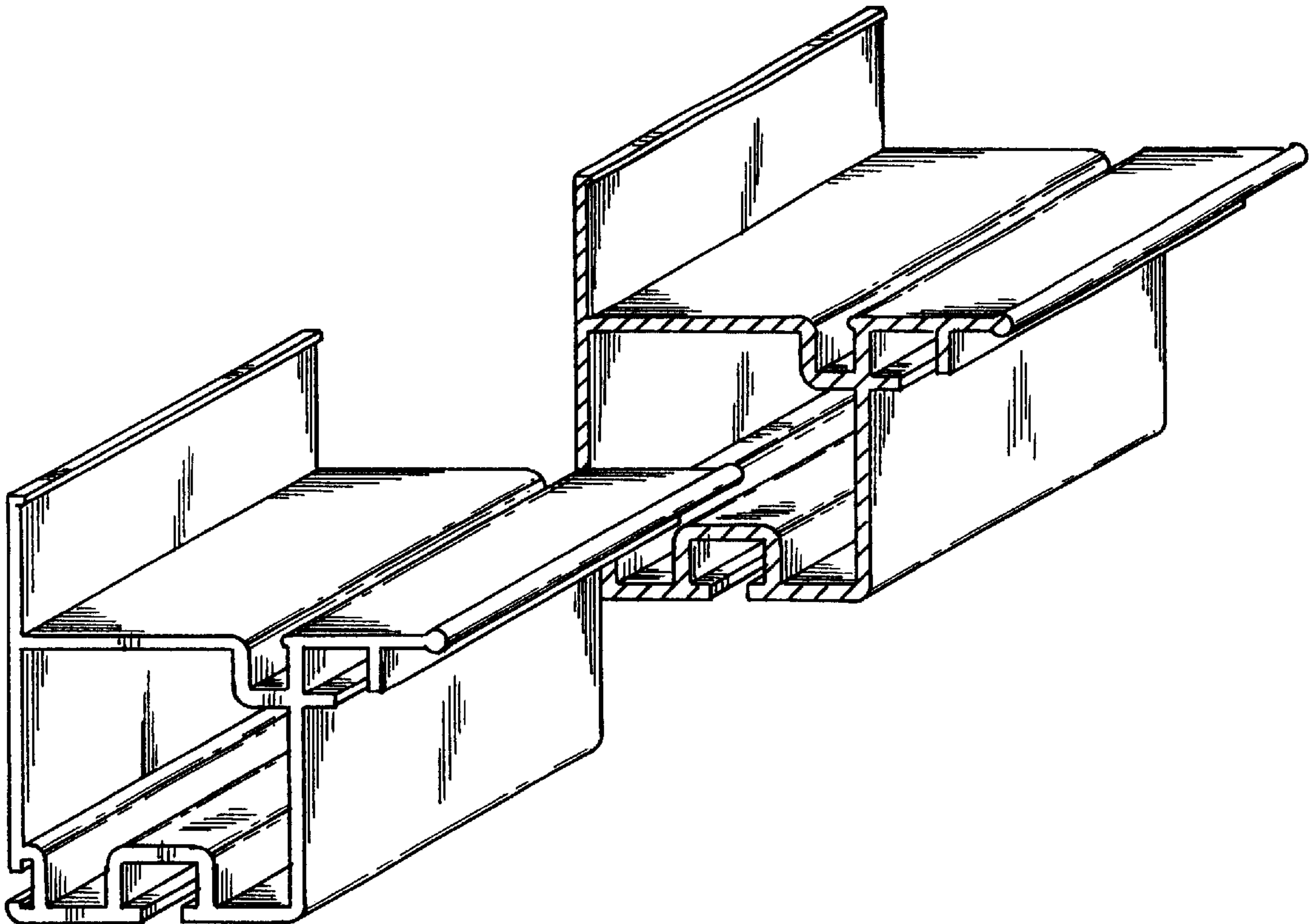
FIG. 1 is a top right perspective view of the window component extrusion which is broken in the center indicating indefinite length.

FIG. 2 is a bottom left perspective view of the window component extrusion shown in FIG. 1.

FIG. 3 is a top right perspective view of a second embodiment of the window component extrusion which is broken in the center indicating indefinite length; and,

FIG. 4 is a bottom left perspective view of the window component extrusion shown in FIG. 3.

1 Claim, 2 Drawing Sheets



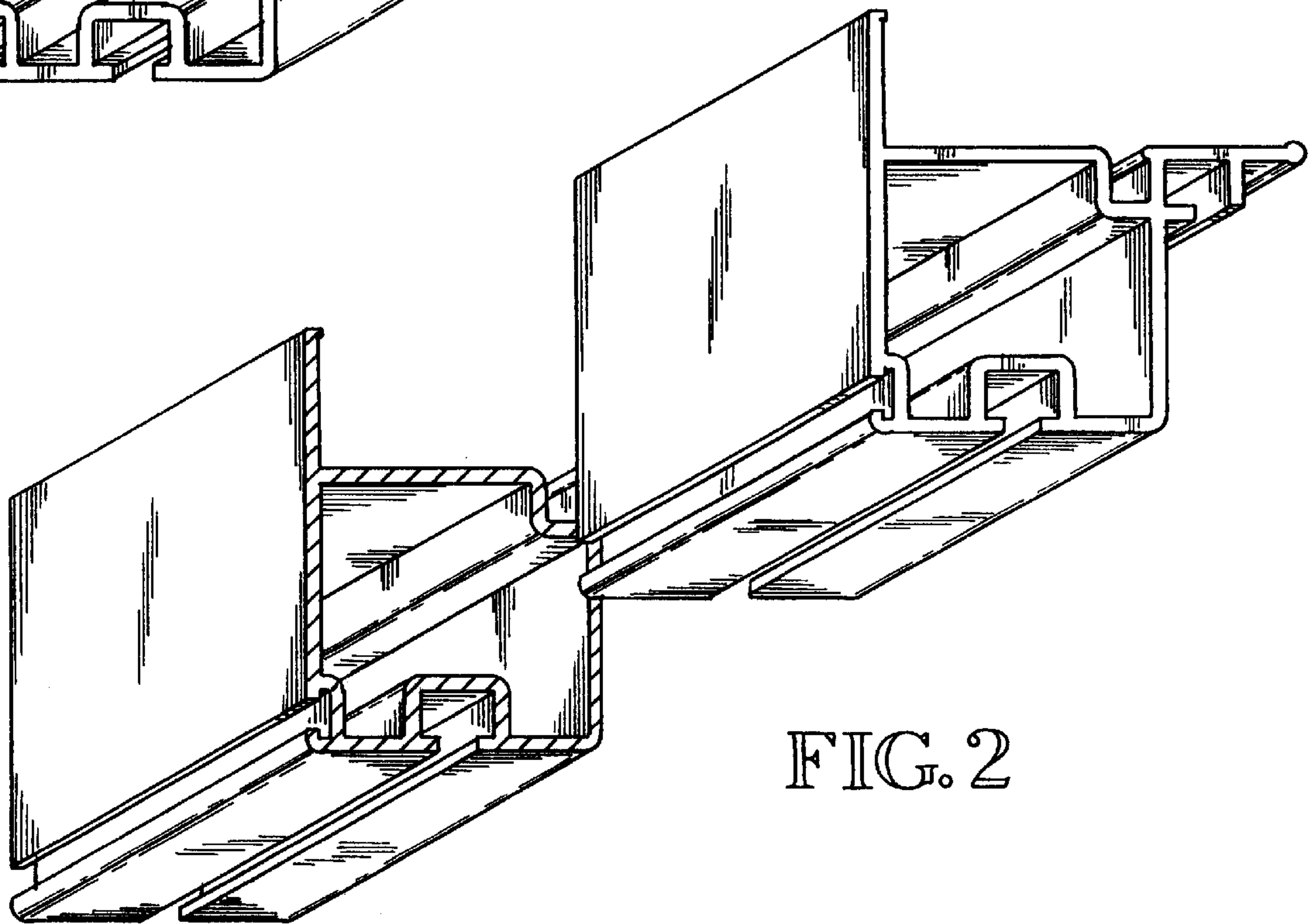
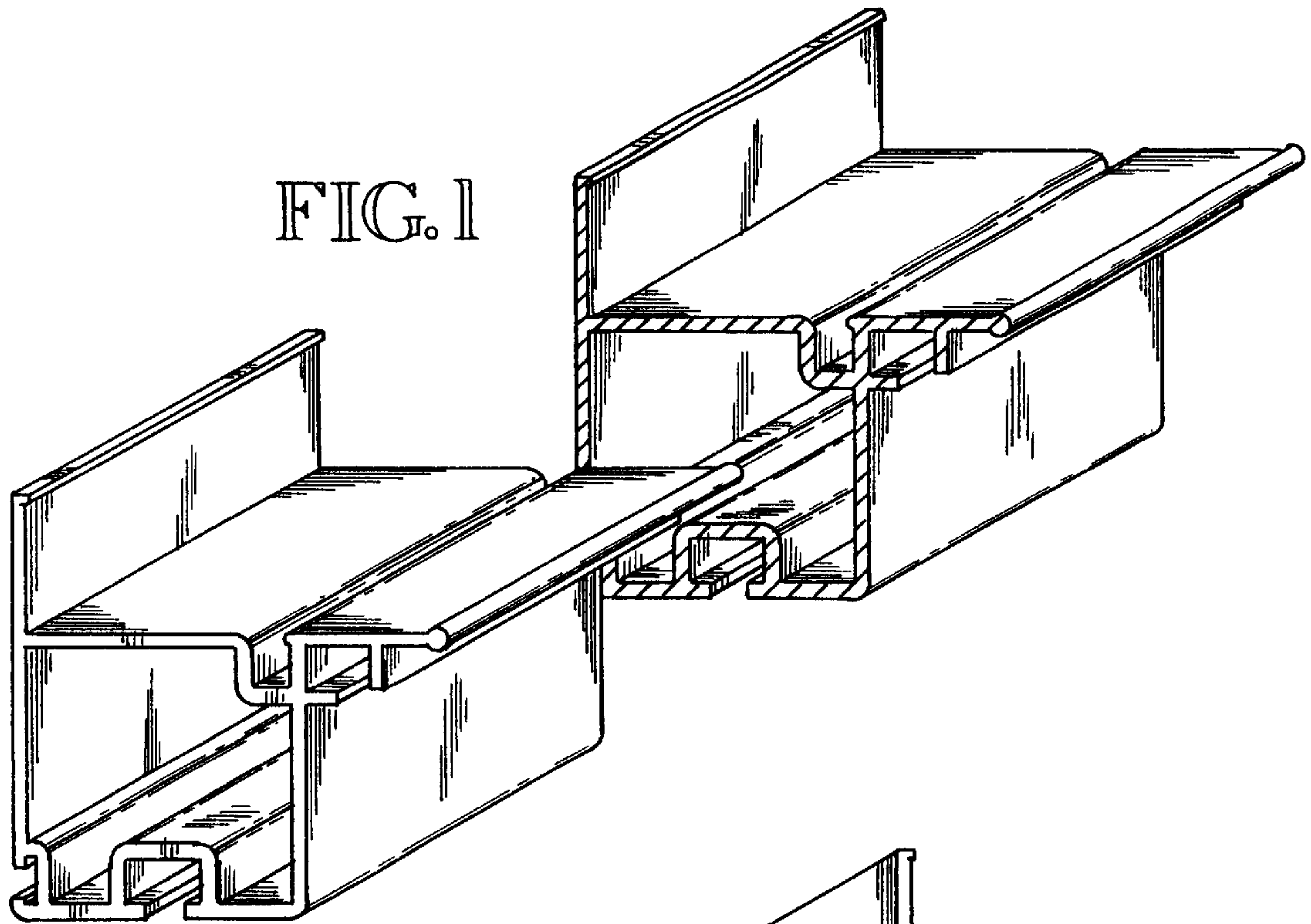


FIG. 3

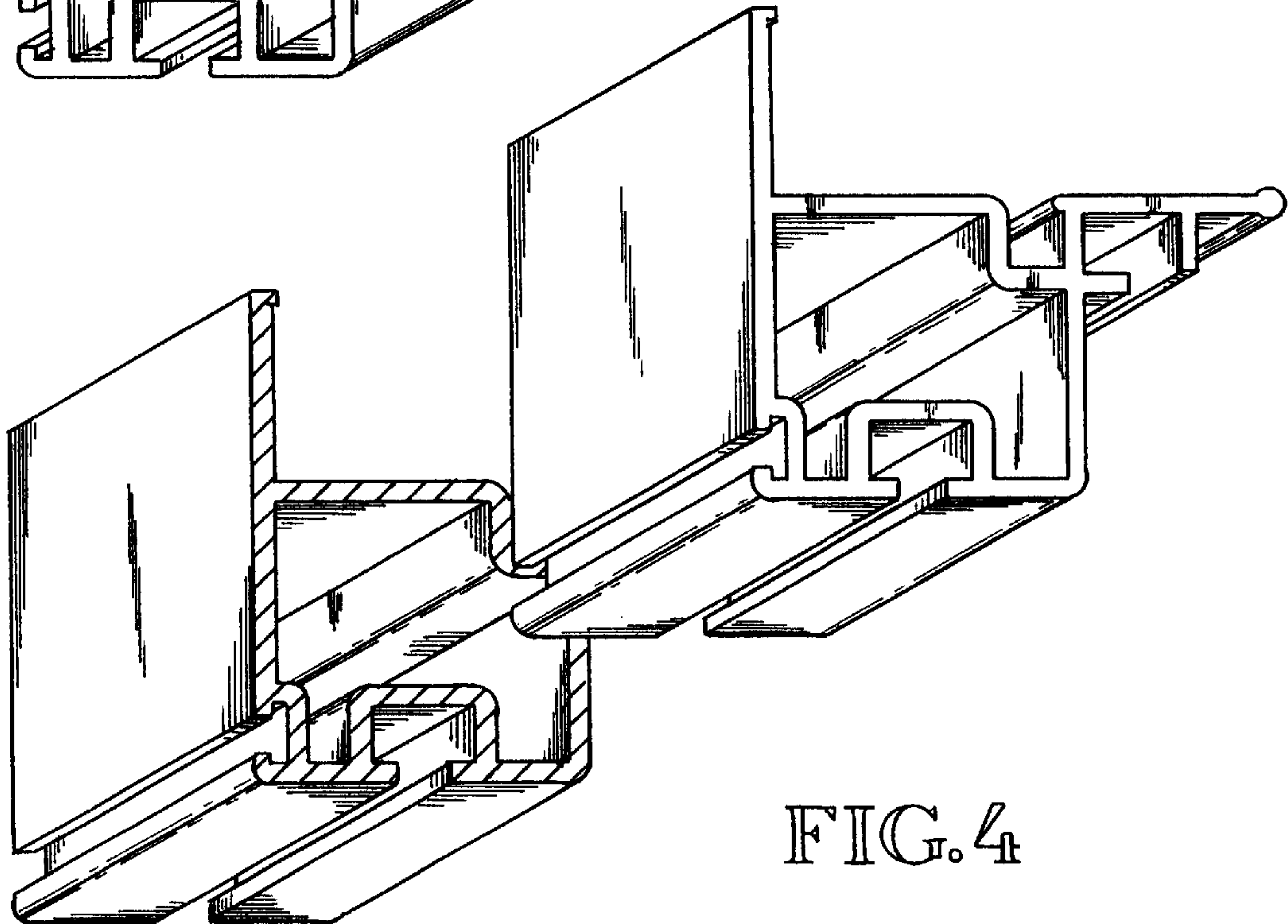
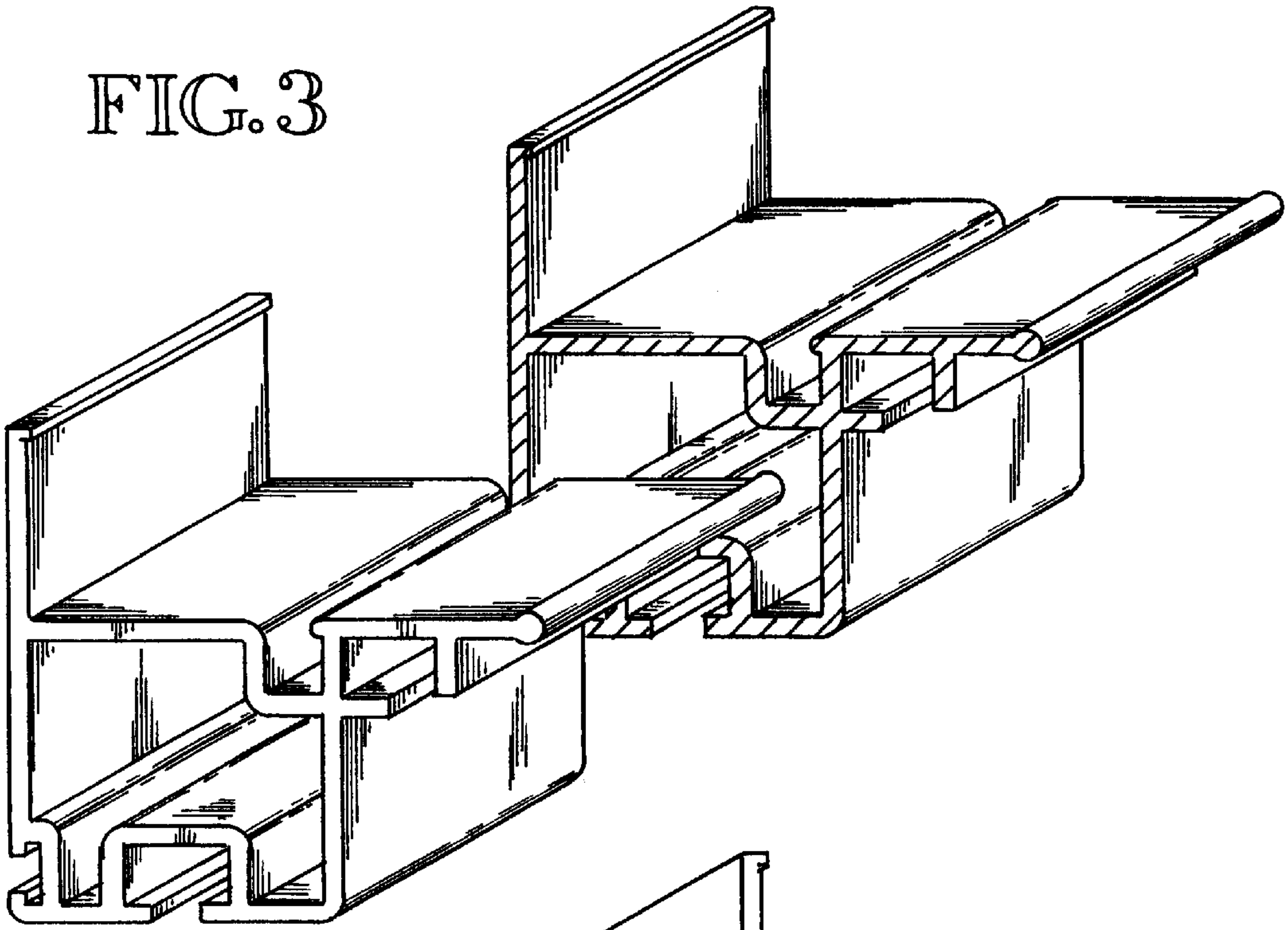


FIG. 4