



US00D449388B1

(12) **United States Design Patent**
Habeck et al.

(10) **Patent No.:** **US D449,388 S**

(45) **Date of Patent:** **** *Oct. 16, 2001**

(54) **SILL FOR SINGLE AND DOUBLE HUNG WINDOW**

(75) Inventors: **Jerome Carl Habeck**, Holt; **Dennis C. Westphal**, Parma, both of MI (US); **David S. Levine**, King of Prussia; **Stanley Gursky**, Yardley, both of PA (US)

(73) Assignee: **CertainTeed Corporation**, Valley Forge, PA (US)

(*) Notice: This patent is subject to a terminal disclaimer.

(**) Term: **14 Years**

(21) Appl. No.: **29/118,687**

(22) Filed: **Feb. 14, 2000**

(51) **LOC (7) Cl.** **25-01**

(52) **U.S. Cl.** **D25/124**

(58) **Field of Search** 49/303, 304, 404, 49/411, 410, 412-414, 504, 505, DIG. 2, 419, 423; 52/204.5, 730.3, 730.4, 730.5; D25/124, 125, 60, 52

(56) **References Cited**

U.S. PATENT DOCUMENTS

D. 380,561	*	7/1997	Colitto	D25/124
D. 391,649	*	3/1998	Opielski et al.	D25/124
D. 402,058	*	12/1998	Leonelli	D25/124
4,048,774	*	9/1977	Yamamoto	49/404
4,503,641	*	3/1985	Swan	49/404
4,793,114	*	12/1988	Pacca	52/204.5

* cited by examiner

Primary Examiner—Doris Clark

(74) *Attorney, Agent, or Firm*—Duane Morris & Heckscher LLP

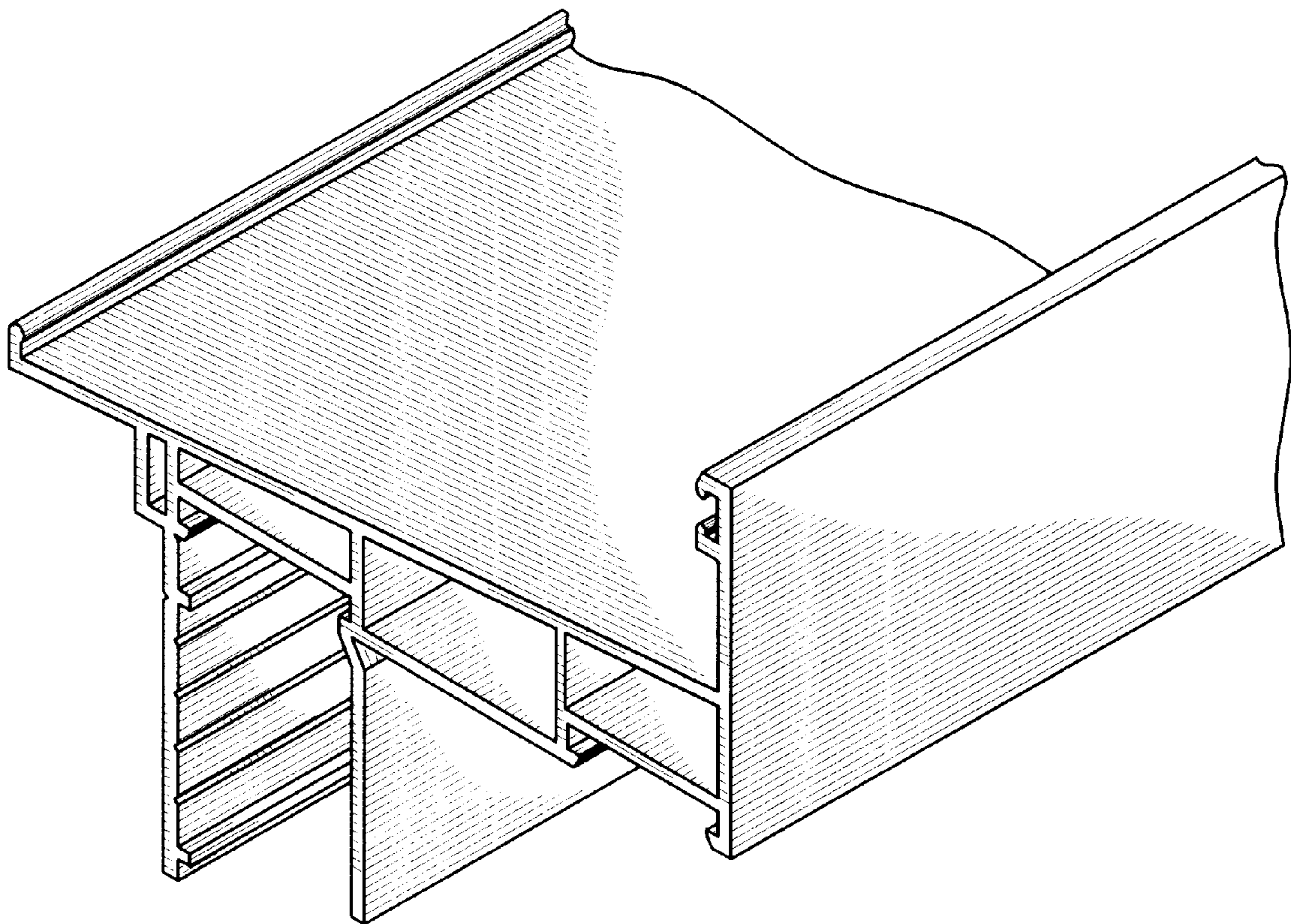
(57) **CLAIM**

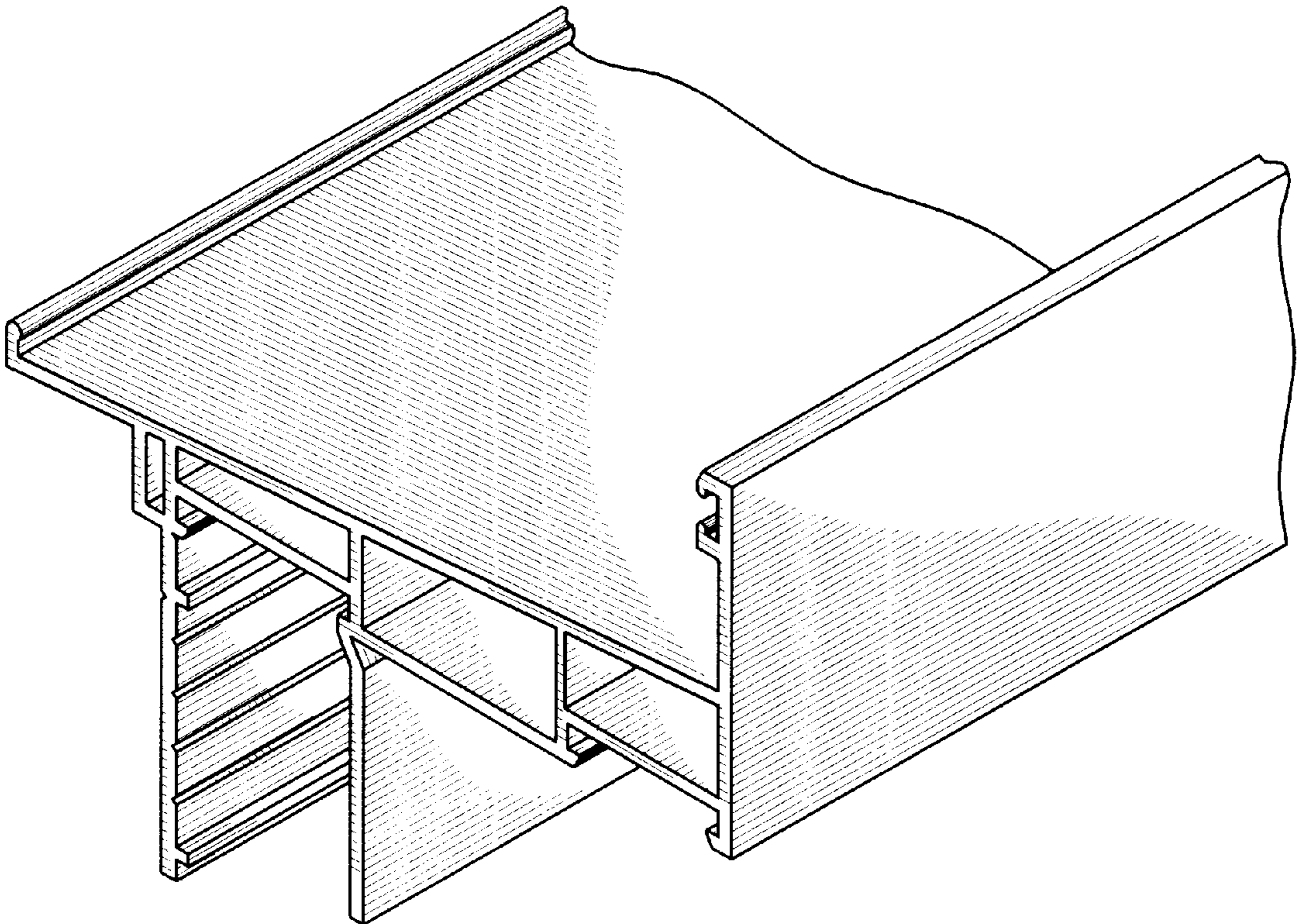
The ornamental design for a sill for single and double hung window, as shown and described.

DESCRIPTION

The FIGURE is a front perspective view of a sill for single and double hung window showing our new design, the rear perspective view being a mirror image thereof, and is shown fragmented indicating indefinite length.

1 Claim, 1 Drawing Sheet





THE FIGURE