



US00D449387B1

(12) **United States Design Patent**
Dumbleton

(10) **Patent No.:** **US D449,387 S**

(45) **Date of Patent:** **** Oct. 16, 2001**

(54) **TRANSLUCENT BUILDING BLOCK**

(57) **CLAIM**

(76) Inventor: **Timothy Albert Dumbleton, 3**
Woodhull St. #3, Brooklyn, NY (US)
11231

The ornamental design for a translucent building block, as shown and described.

(**) Term: **14 Years**

DESCRIPTION

(21) Appl. No.: **29/121,666**

FIG. 1 is a top plan view of a translucent building block showing my new design;

(22) Filed: **Apr. 11, 2000**

FIG. 2 is a bottom plan view thereof;

(51) **LOC (7) Cl.** **25-01**

FIG. 3 is a front elevation view, it being understood the rear is a mirror image thereof;

(52) **U.S. Cl.** **D25/108**

FIG. 4 is a left elevation view, it being understood the right is a mirror image thereof;

(58) **Field of Search** D25/103, 106-109;
52/306, 307

FIG. 5 is an enlarged lower right axonometric view thereof;

(56) **References Cited**

FIG. 6 is an enlarged lower left axonometric view thereof;

U.S. PATENT DOCUMENTS

FIG. 7 is a top plan view of a translucent building block shown on a reduced scale with a multiplicity of like blocks creating a wall thereof; and,

4,852,321 * 8/1989 Fleming, Jr. et al. 52/306

FIG. 8 is an axonometric view of a translucent building block shown on a reduced scale with a multiplicity of like blocks creating a wall thereof.

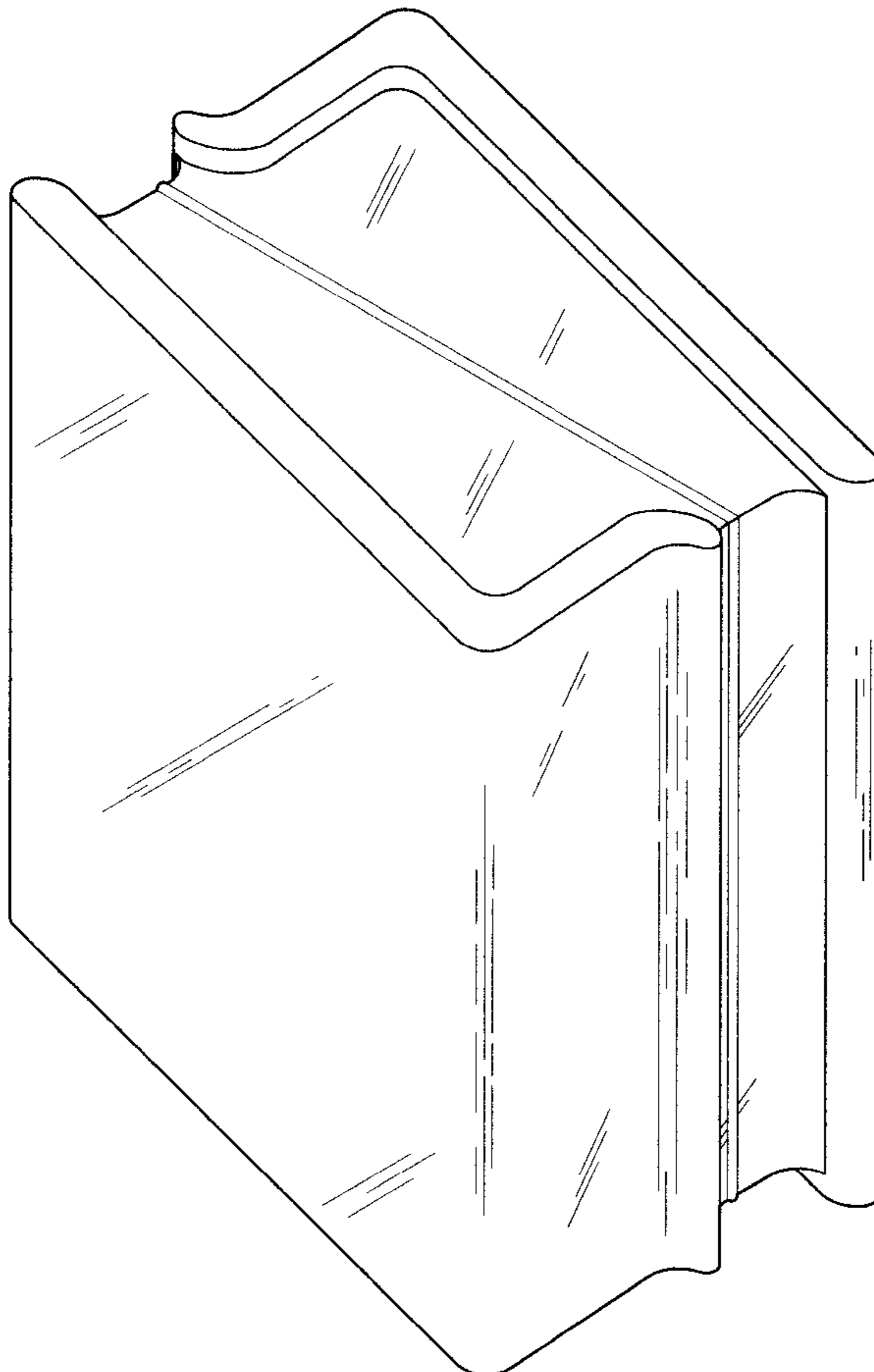
5,109,644 * 5/1992 Poremba 52/306

5,485,702 * 1/1996 Sholton 52/307 X

* cited by examiner

Primary Examiner—Louis S. Zarfaz
Assistant Examiner—Robert A. Delehanty

1 Claim, 6 Drawing Sheets



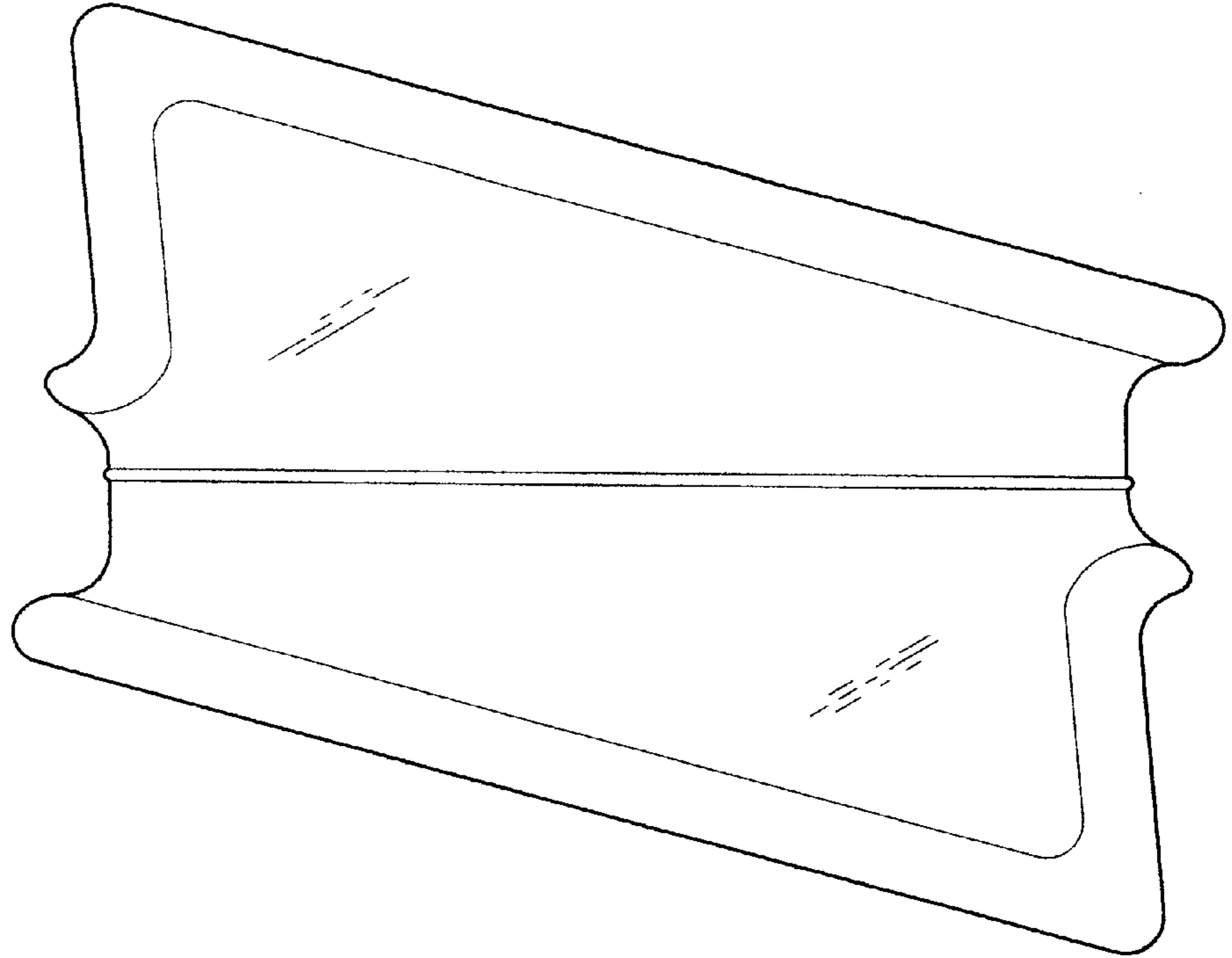


Fig. 1

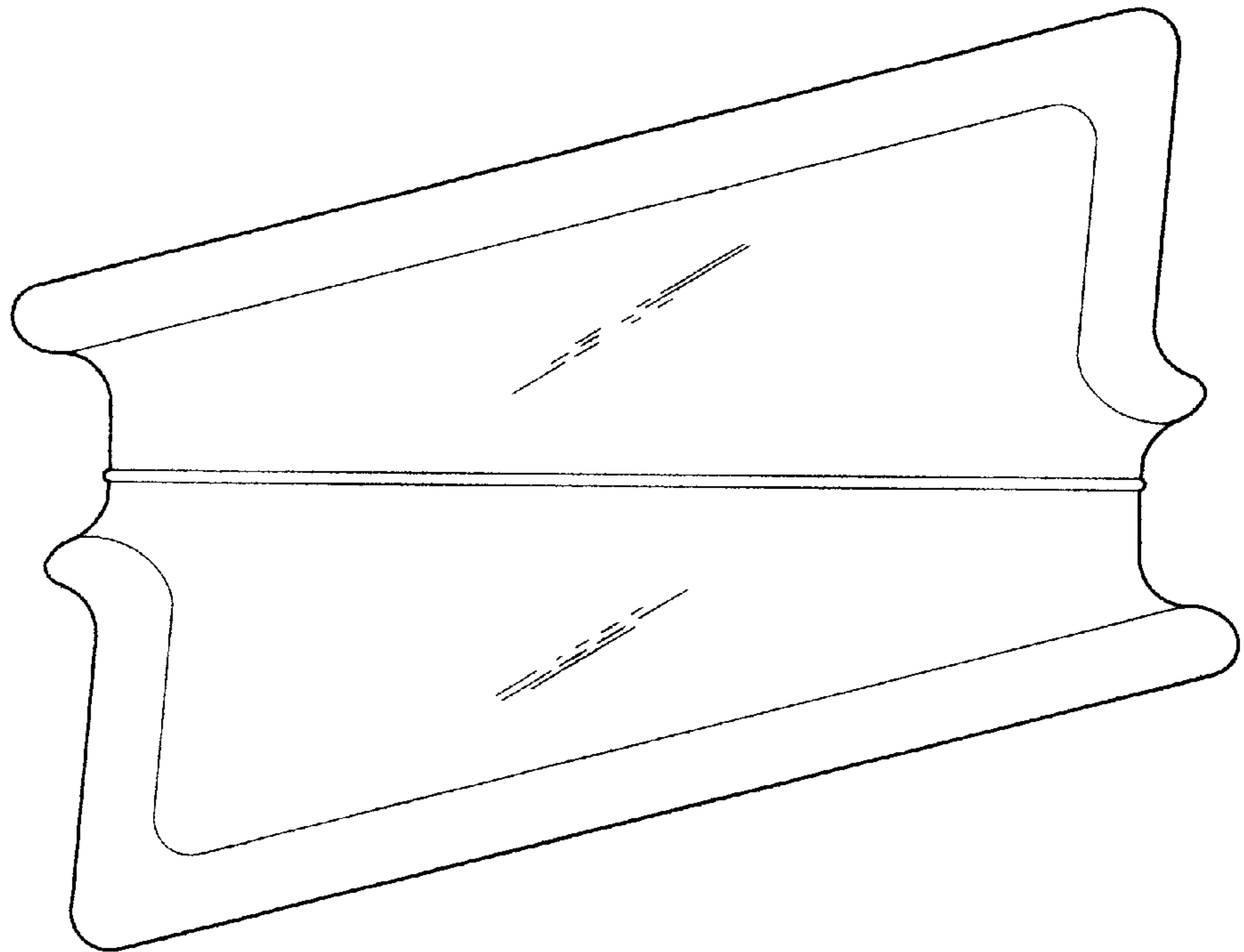


Fig. 2

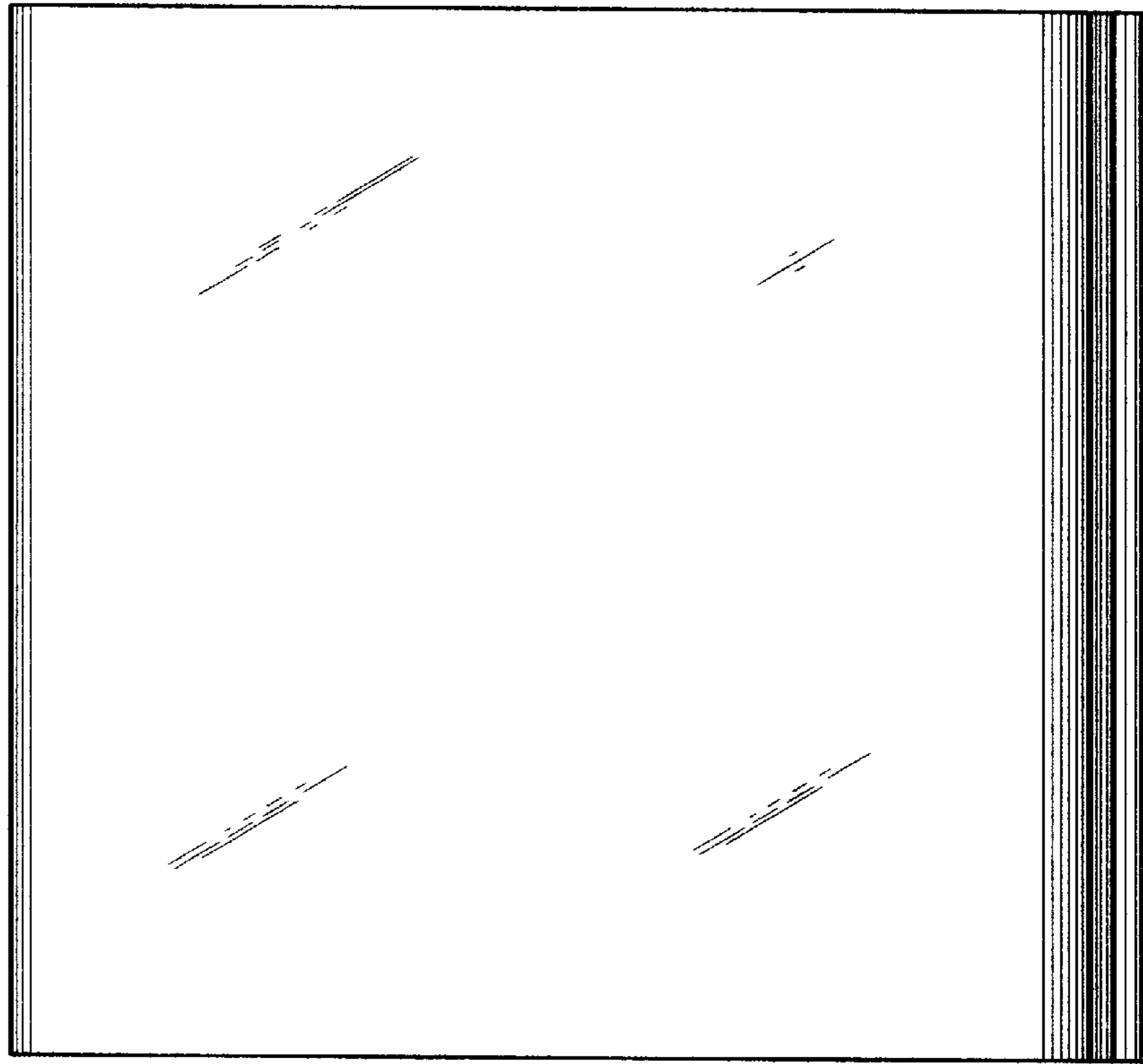


Fig. 3

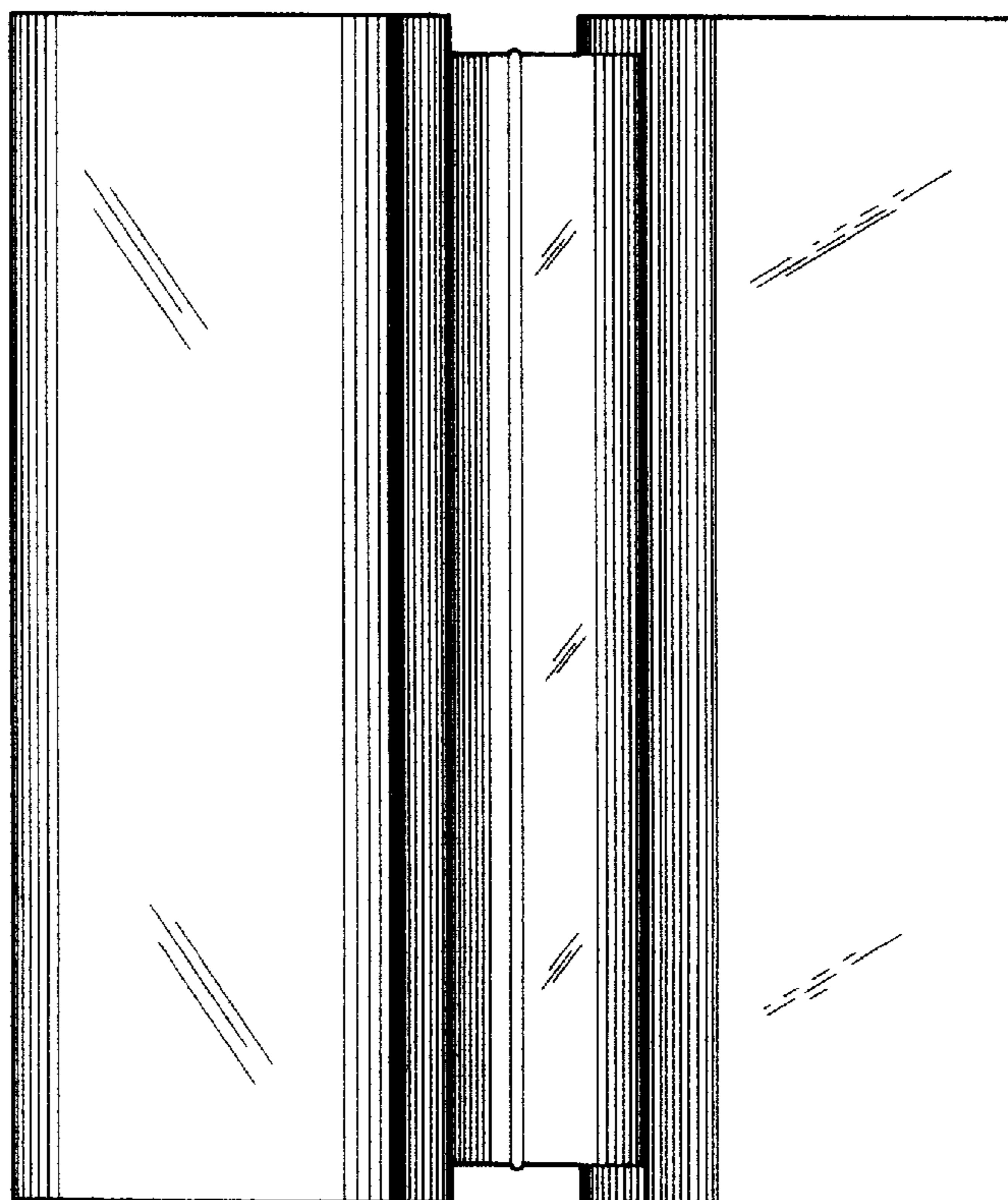


Fig. 4

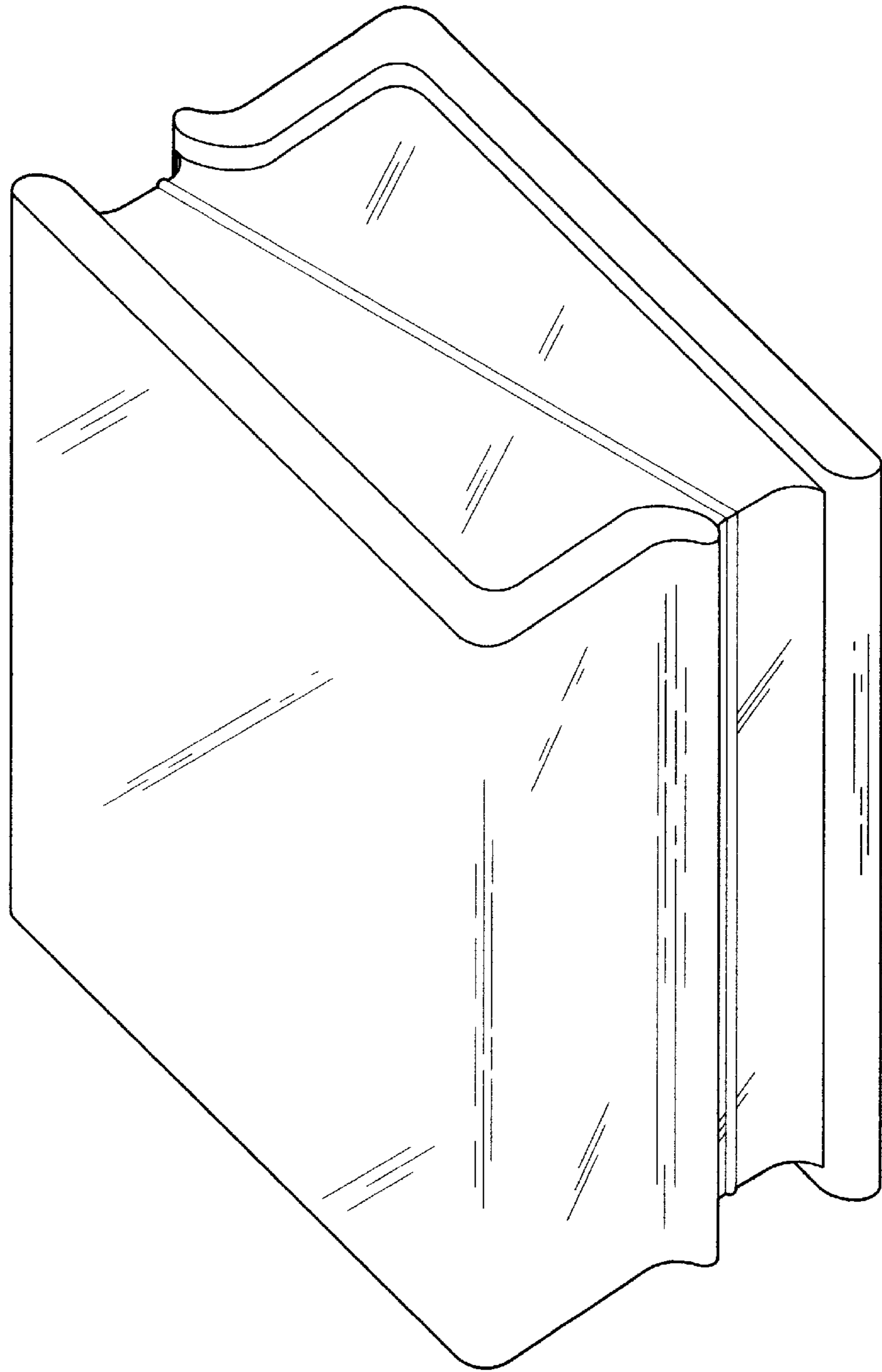


Fig. 5

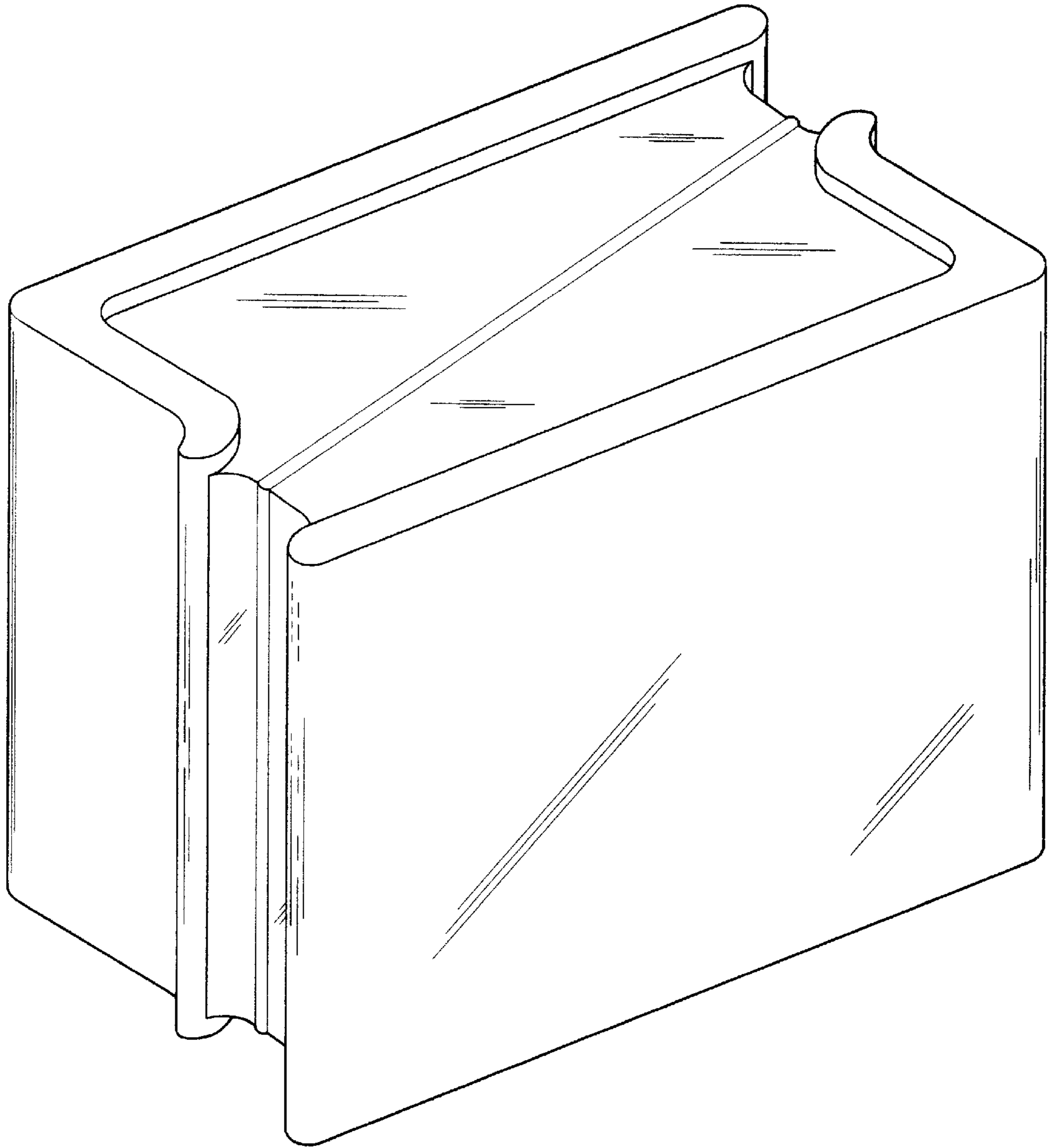


Fig. 6

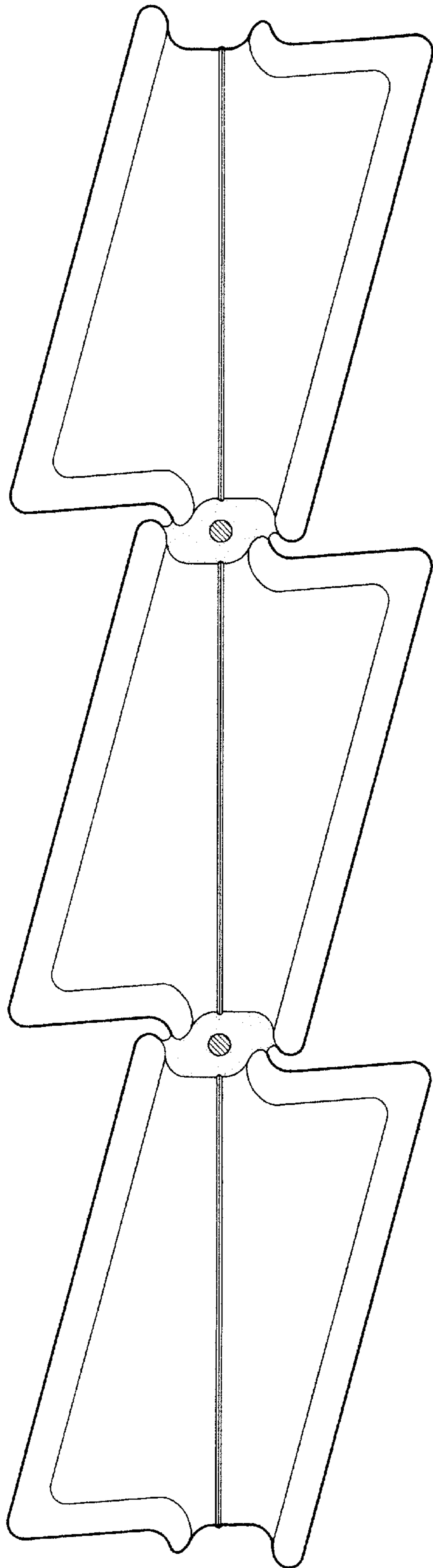


Fig. 7

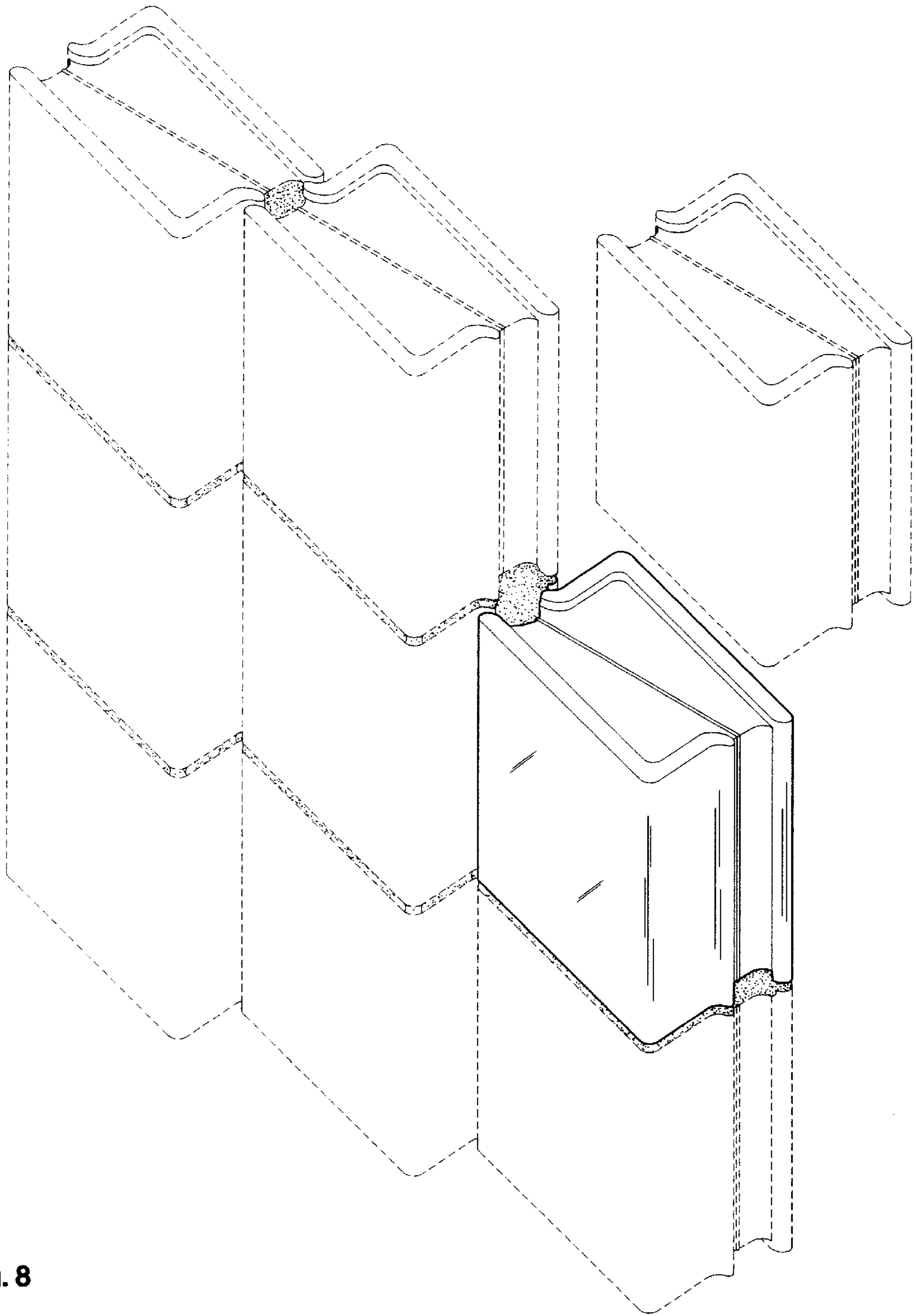


Fig. 8