



US00D449386B1

(12) **United States Design Patent**  
**Cheris et al.**

(10) **Patent No.: US D449,386 S**

(45) **Date of Patent: \*\* Oct. 16, 2001**

(54) **STEP STOOL**

**DESCRIPTION**

- (75) Inventors: **Albert B. Cheris**, Deerfield; **Mark Dziersk**, Chicago, both of IL (US)
- (73) Assignee: **Tenex Corporation**, Elk Grove Village, IL (US)
- (\*\*) Term: **14 Years**
- (21) Appl. No.: **29/129,368**
- (22) Filed: **Sep. 12, 2000**
- (51) **LOC (7) Cl.** ..... **25-04**
- (52) **U.S. Cl.** ..... **D25/65**
- (58) **Field of Search** ..... D25/65, 63; 182/38, 182/33, 33.4, 33.5, 15; D6/349, 350, 353, 330; 248/405

FIG. 1 is a perspective view of a first embodiment of a step stool with rollers of our design;  
 FIG. 2 is an elevational view of one side thereof, the opposite side being substantially a mirror image thereof;  
 FIG. 3 is a front elevational view thereof;  
 FIG. 4 is a rear elevational view thereof;  
 FIG. 5 is a top plan view thereof;  
 FIG. 6 is a bottom plan view thereof;  
 FIG. 7 is a perspective view of a second embodiment of a step step stool with rollers of our design and having a lesser height than that depicted in FIG. 1;  
 FIG. 8 is an elevational view of one side thereof, the opposite side being substantially a mirror image thereof;  
 FIG. 9 is a front elevational view thereof;  
 FIG. 10 is a rear elevational view thereof;  
 FIG. 11 is a top plan view thereof;  
 FIG. 12 is a bottom plan view thereof;  
 FIG. 13 is a perspective view of a third embodiment of a step step stool of our design without rollers;  
 FIG. 14 is an elevational view of one side thereof, the opposite side being substantially a mirror image thereof;  
 FIG. 15 is a front elevational view thereof;  
 FIG. 16 is a rear elevational view thereof;  
 FIG. 17 is a top plan view thereof;  
 FIG. 18 is a bottom plan view thereof;  
 FIG. 19 is a perspective view of a fourth embodiment of a step stool of our design having single step;  
 FIG. 20 is an elevational view of one side thereof, the opposite side being substantially a mirror image thereof;  
 FIG. 21 is a front elevational view thereof, the opposite side being substantially a mirror image thereof;  
 FIG. 22 is a top plan view thereof; and,  
 FIG. 23 is a bottom plan view thereof.

(56) **References Cited**

**U.S. PATENT DOCUMENTS**

- D. 240,220 \* 6/1976 Meyer ..... D25/65
- D. 307,800 \* 5/1990 Hradisky ..... D25/65

\* cited by examiner

*Primary Examiner*—Doris Clark  
 (74) *Attorney, Agent, or Firm*—Cook, Alex, McFarron, Manzo, Cummings & Mehler, Ltd.

(57) **CLAIM**

The ornamental designs for step stool, as shown and described.

**1 Claim, 13 Drawing Sheets**

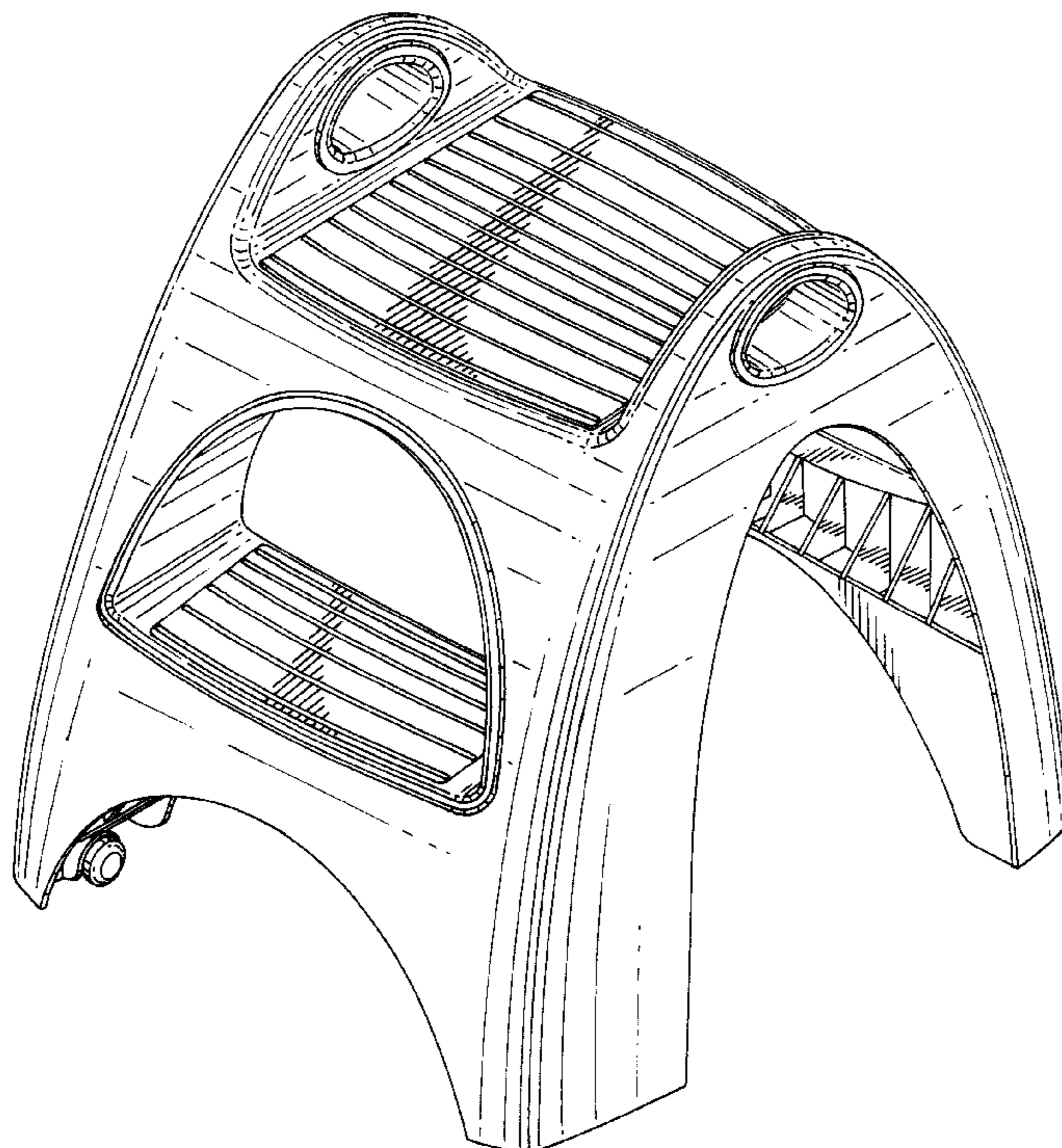


FIG. 1

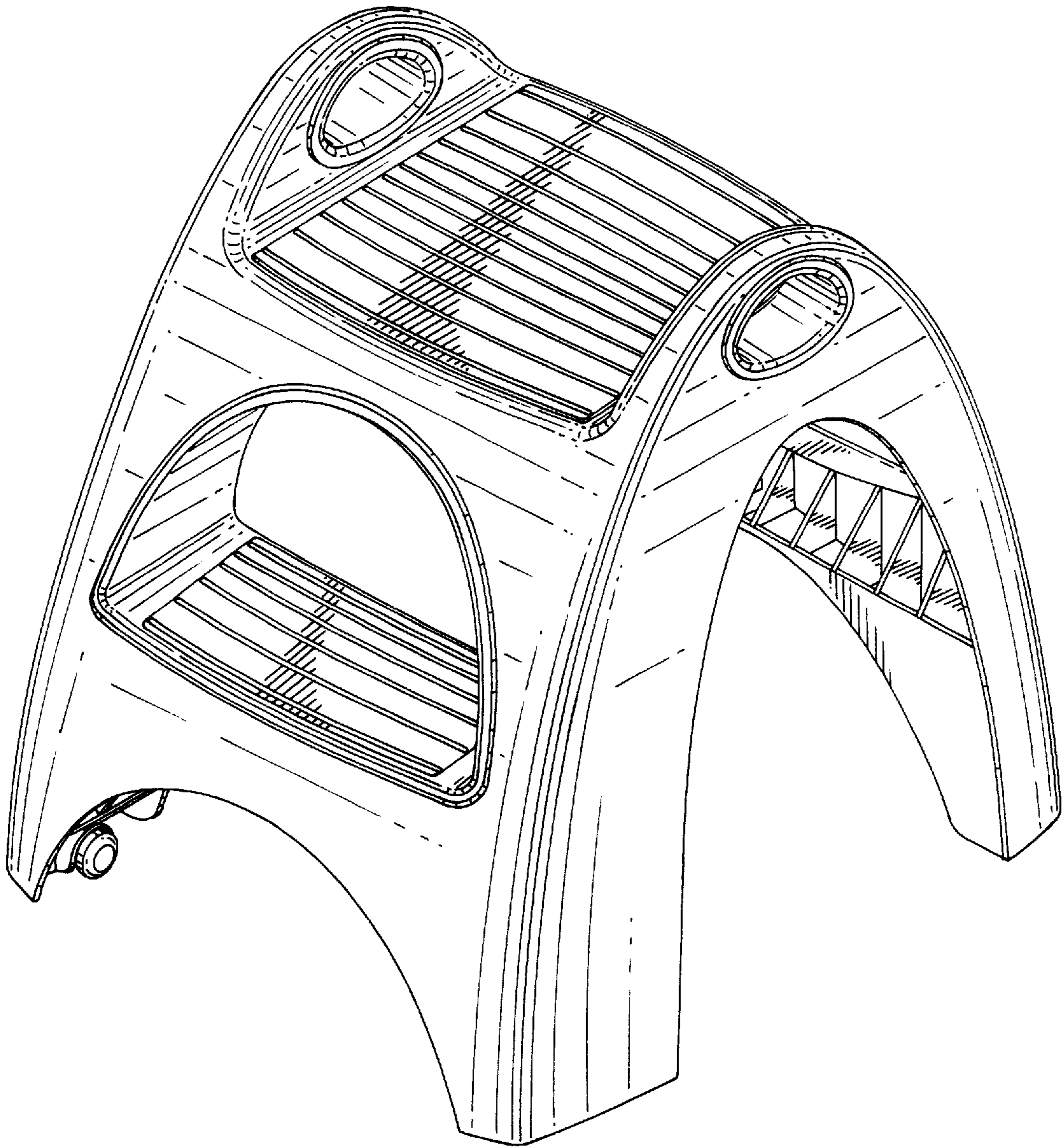


FIG. 2

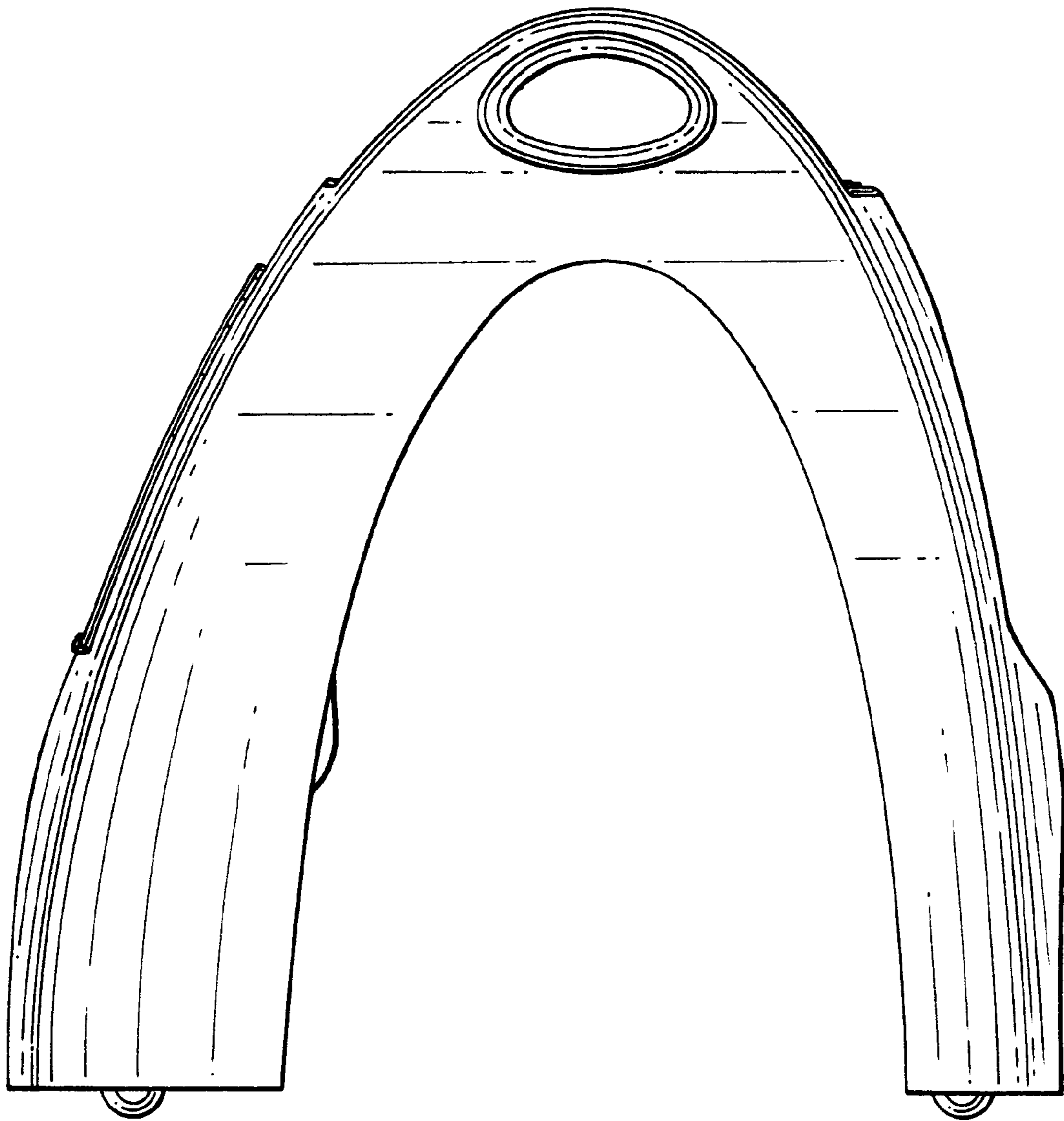




FIG. 3

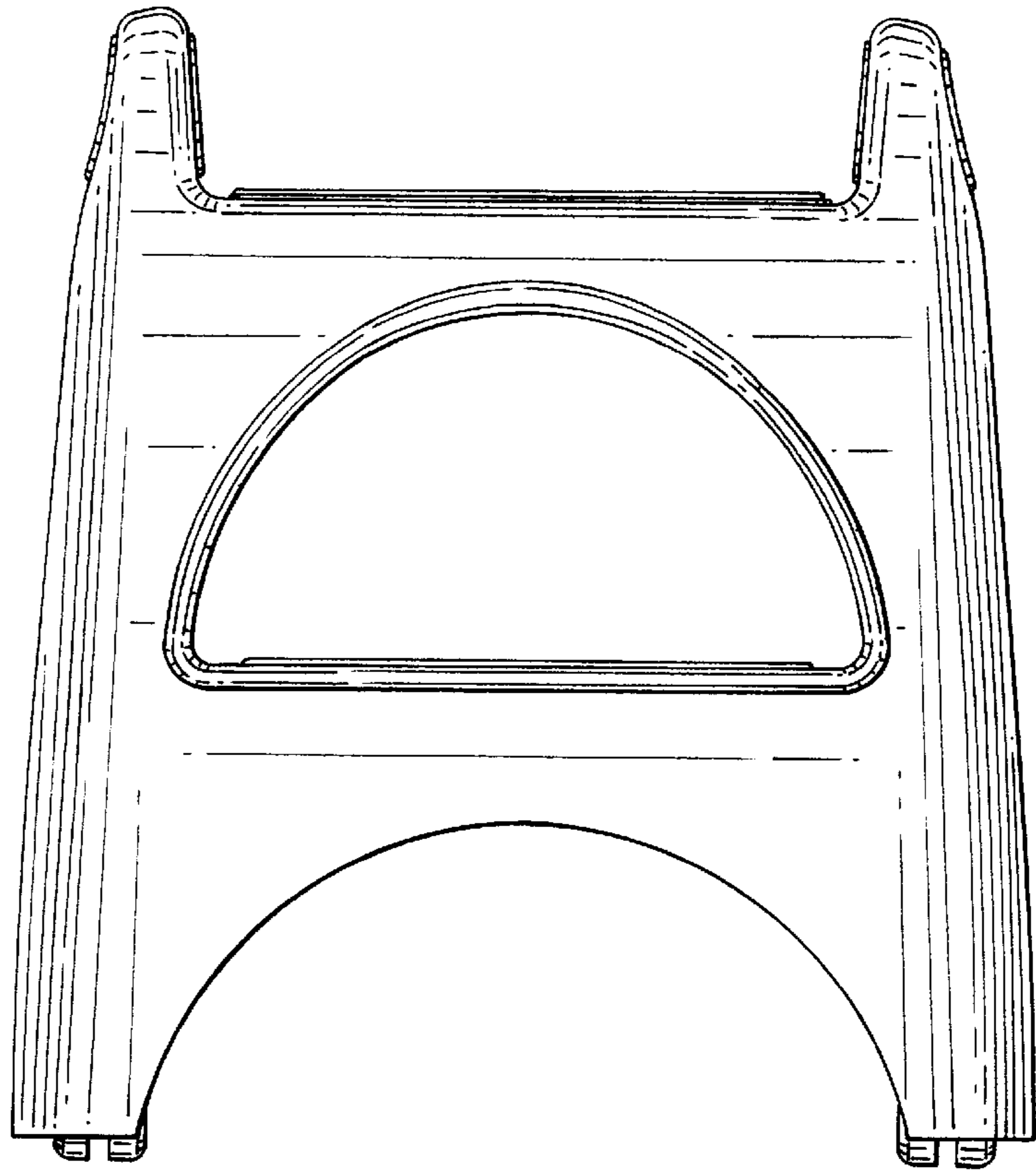


FIG. 4

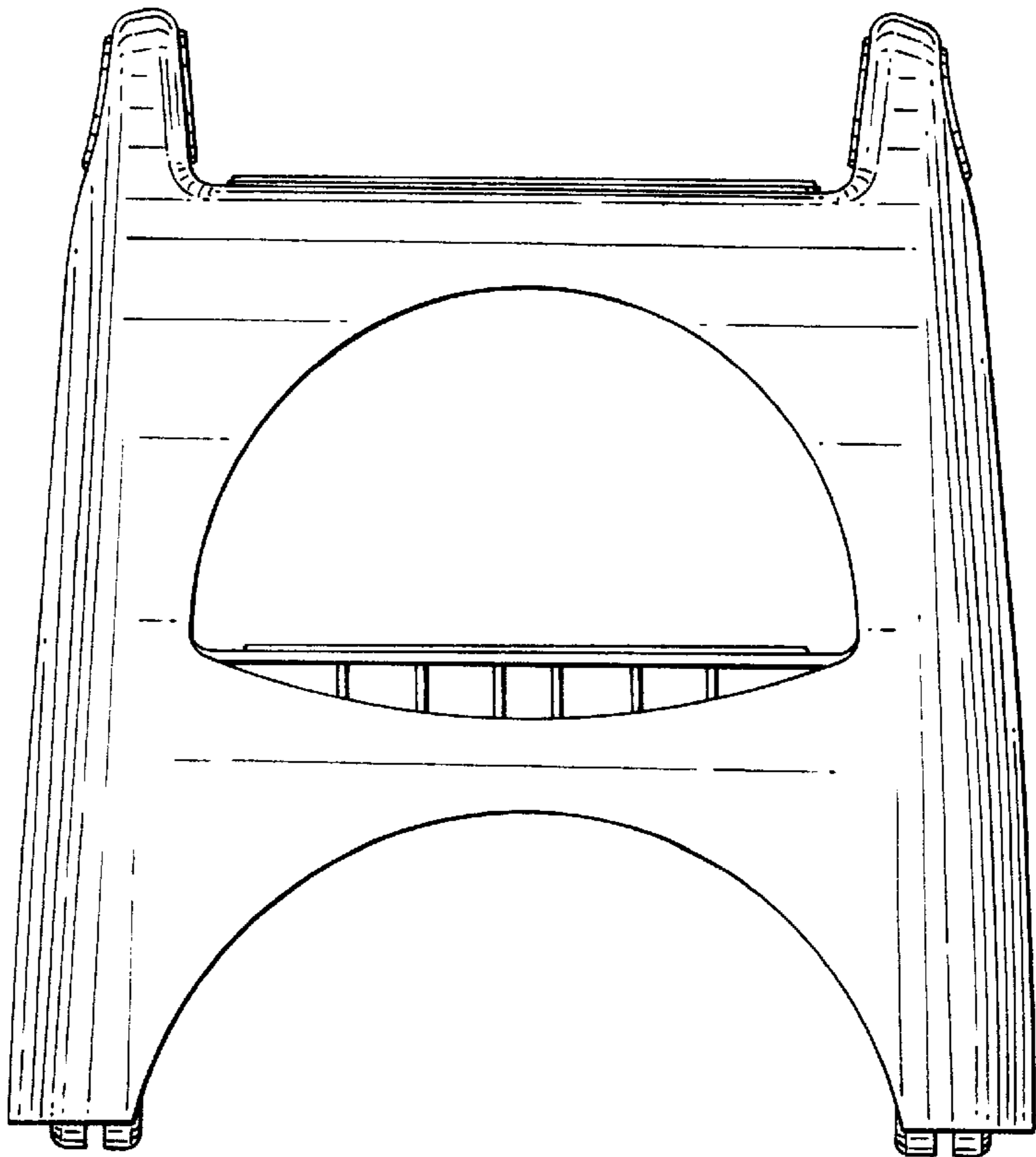


FIG. 5

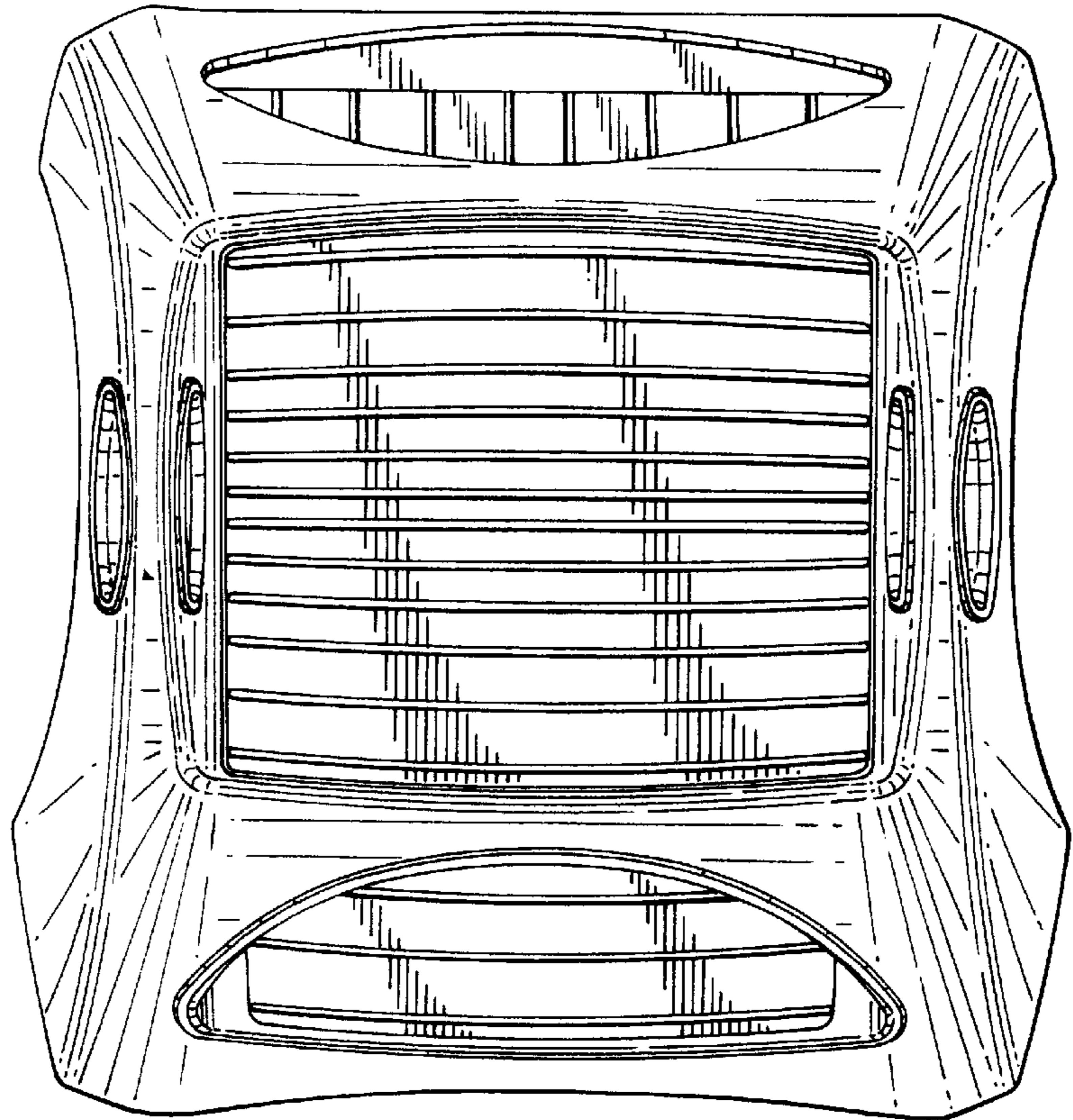
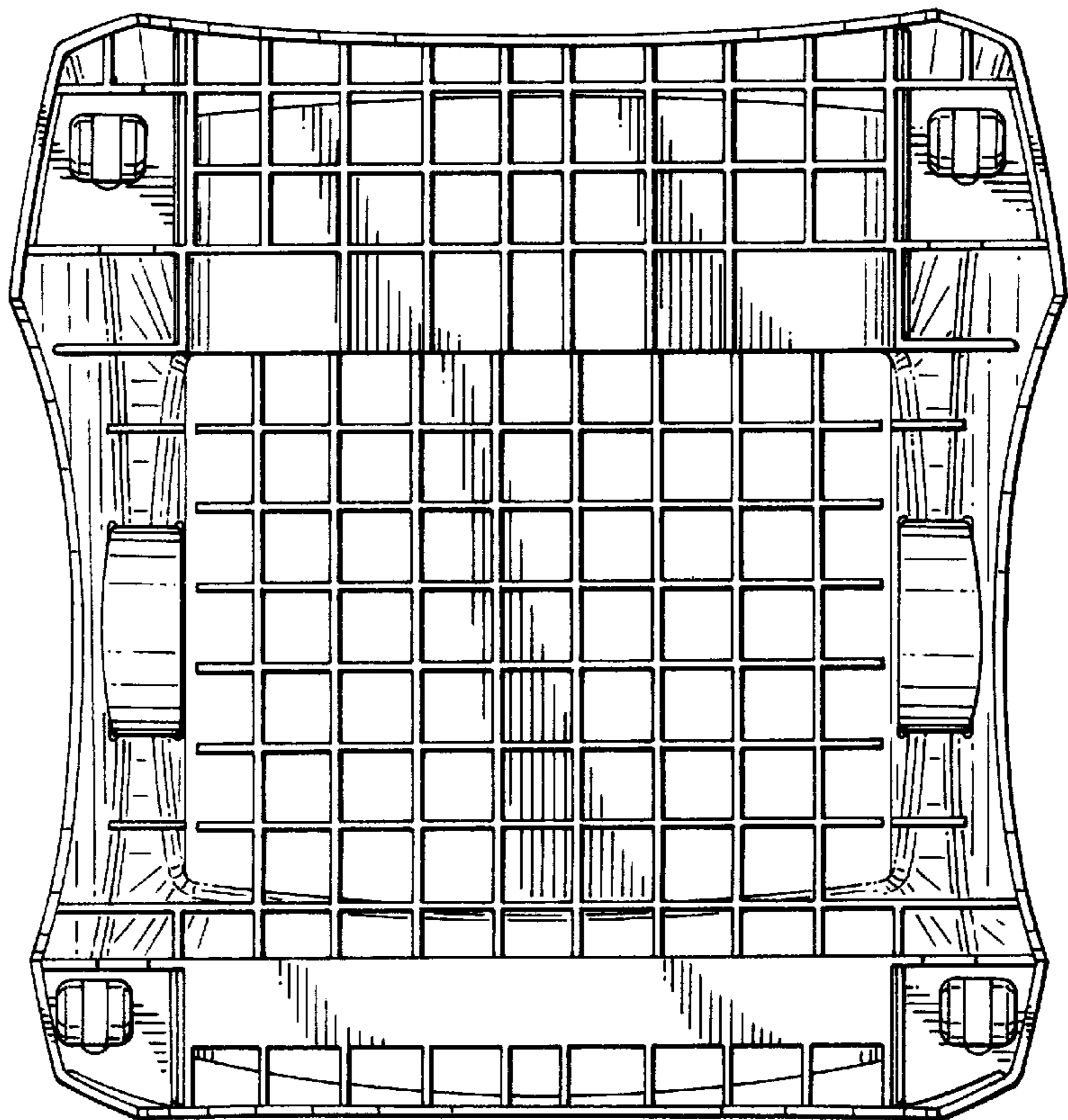


FIG. 6



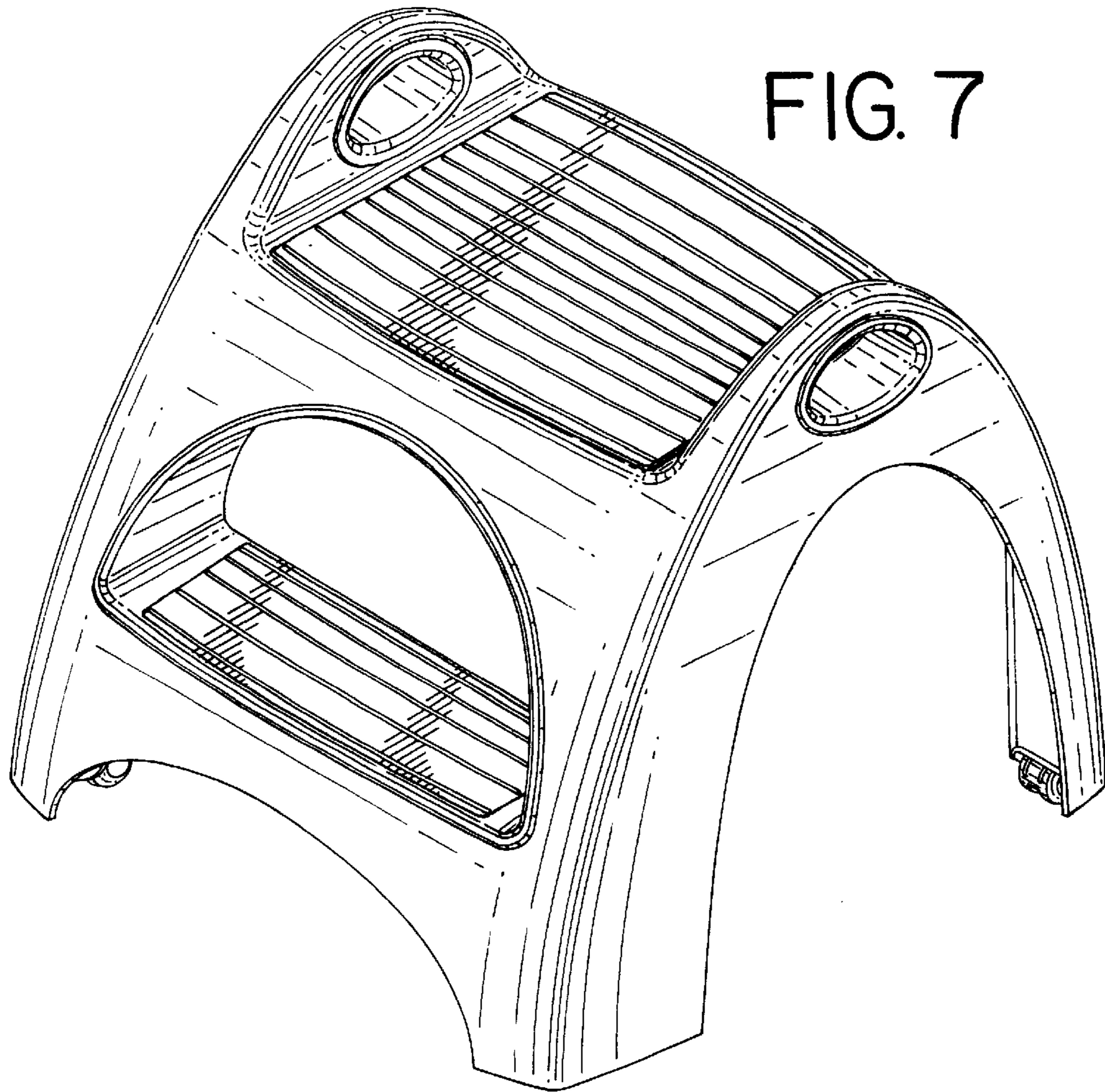


FIG. 7

FIG. 8

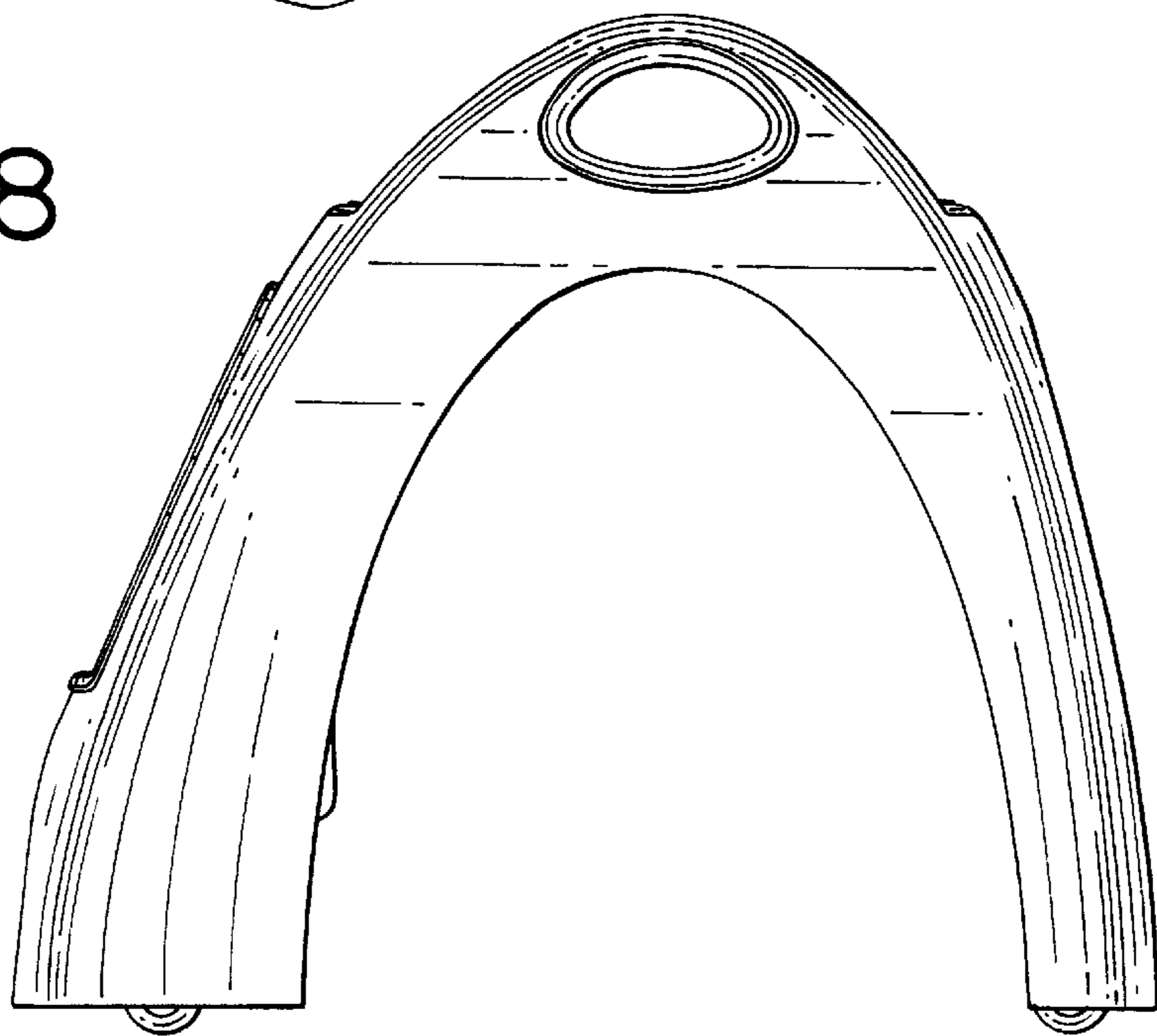




FIG. 9

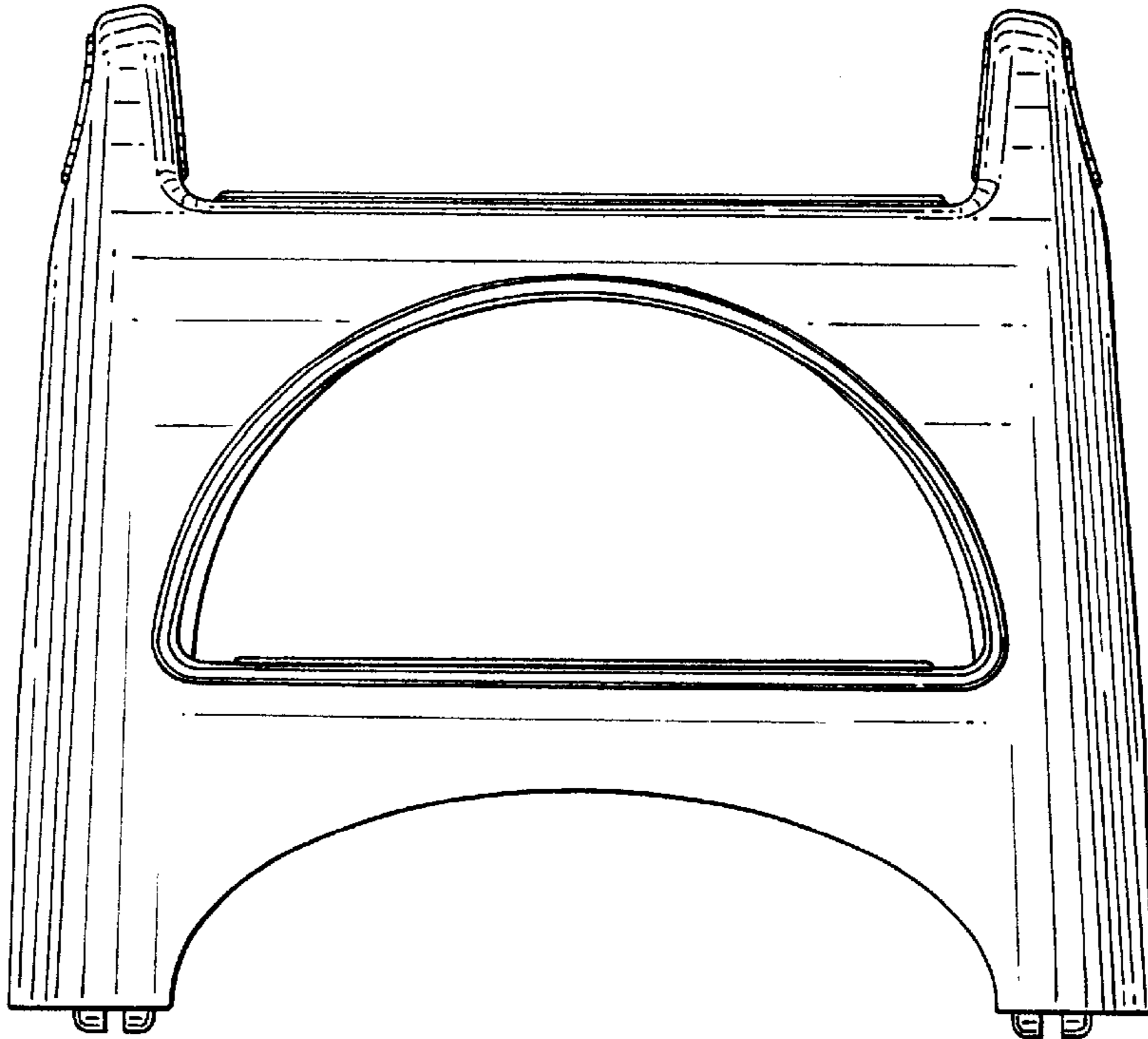


FIG. 10

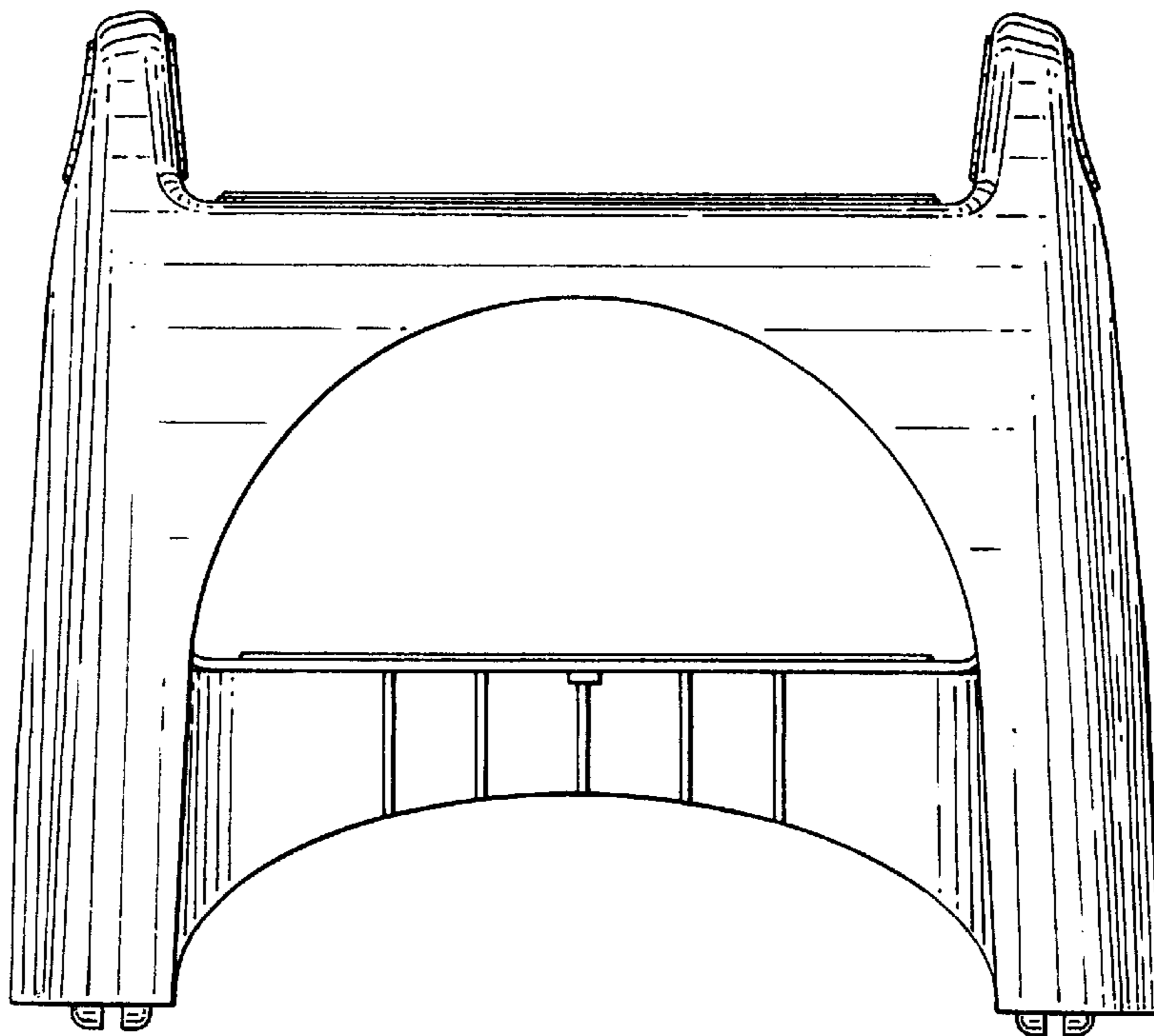


FIG. 11

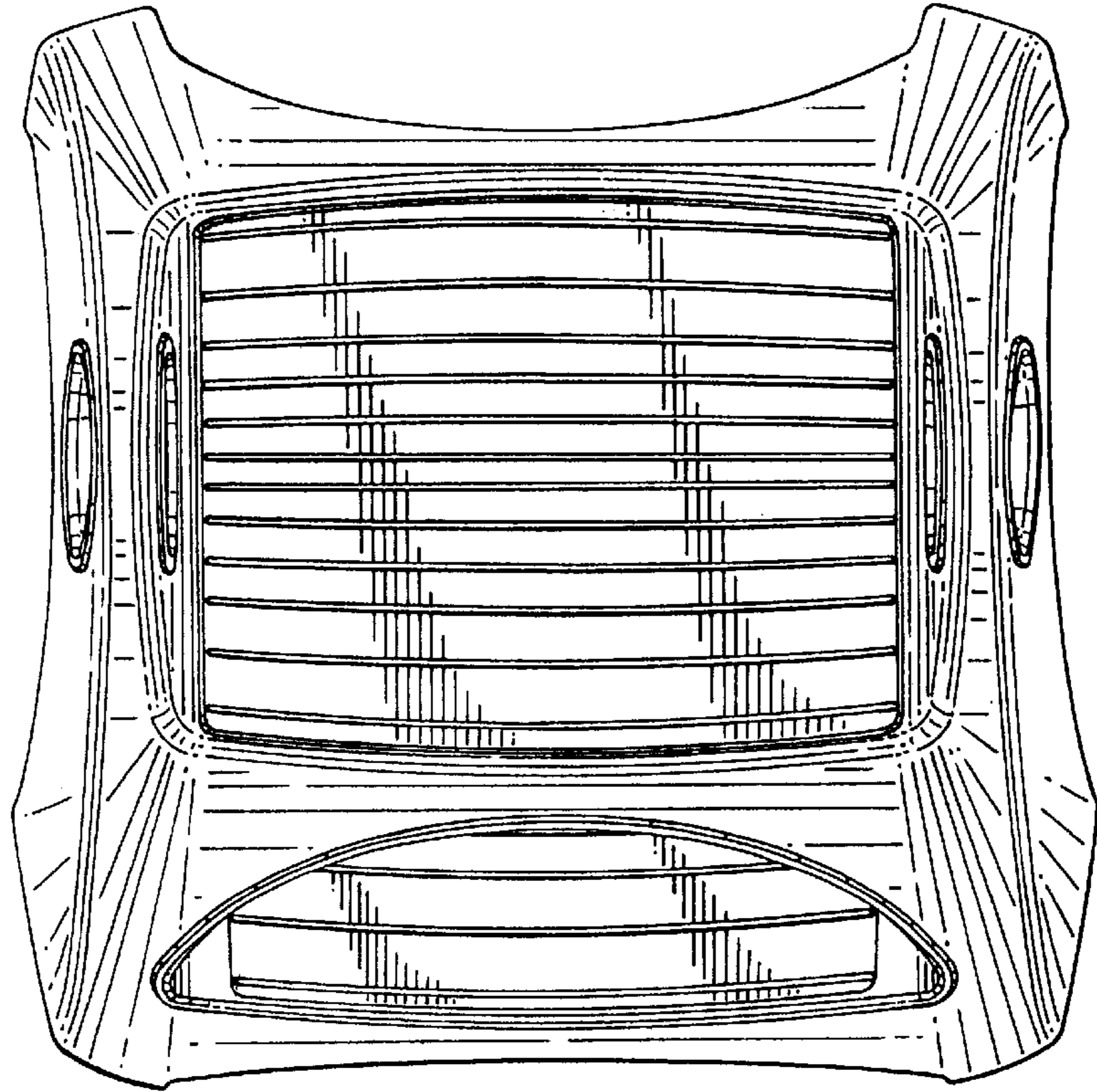
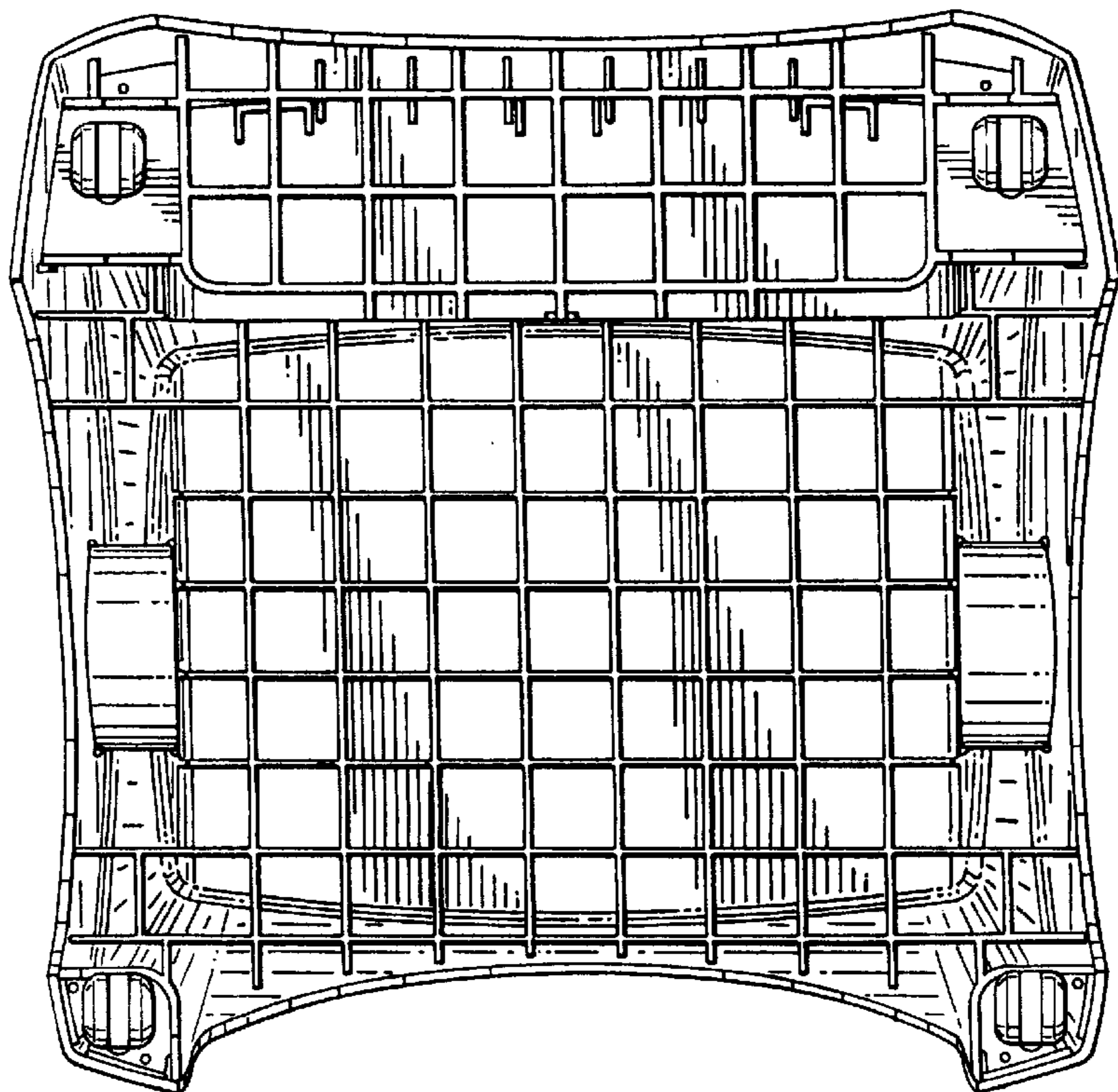


FIG. 12





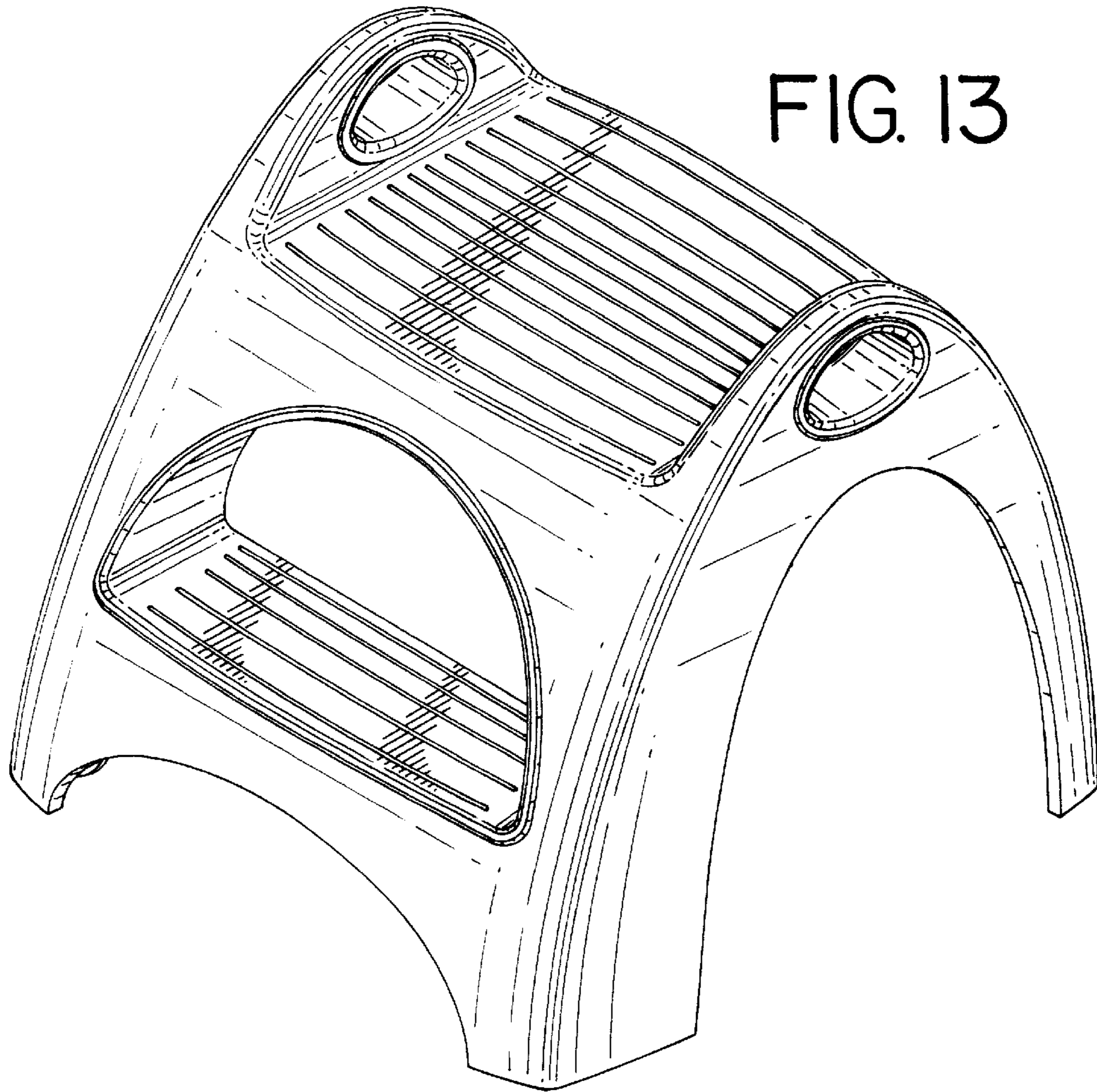


FIG. 13

FIG. 14

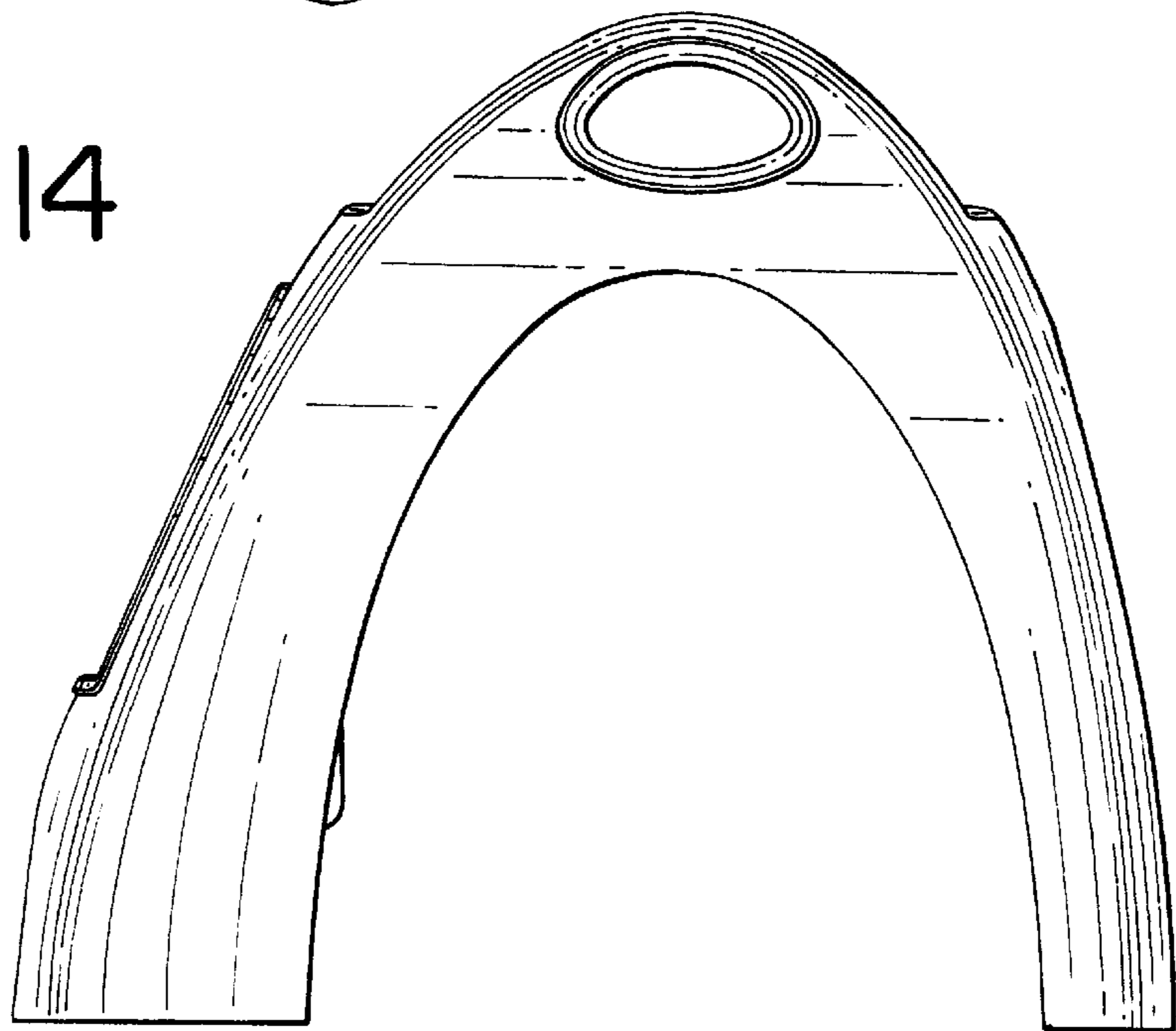


FIG. 15

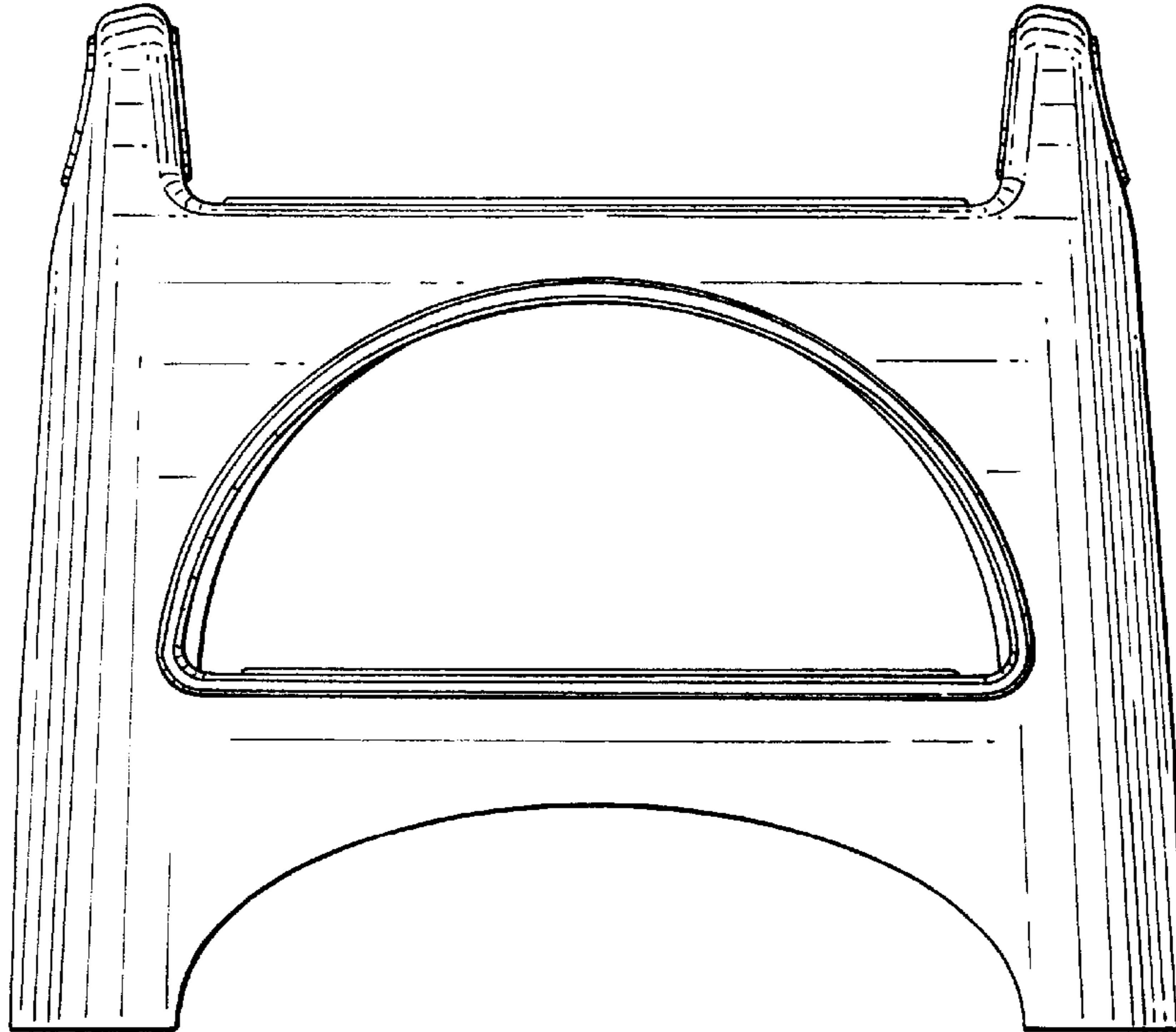


FIG. 16

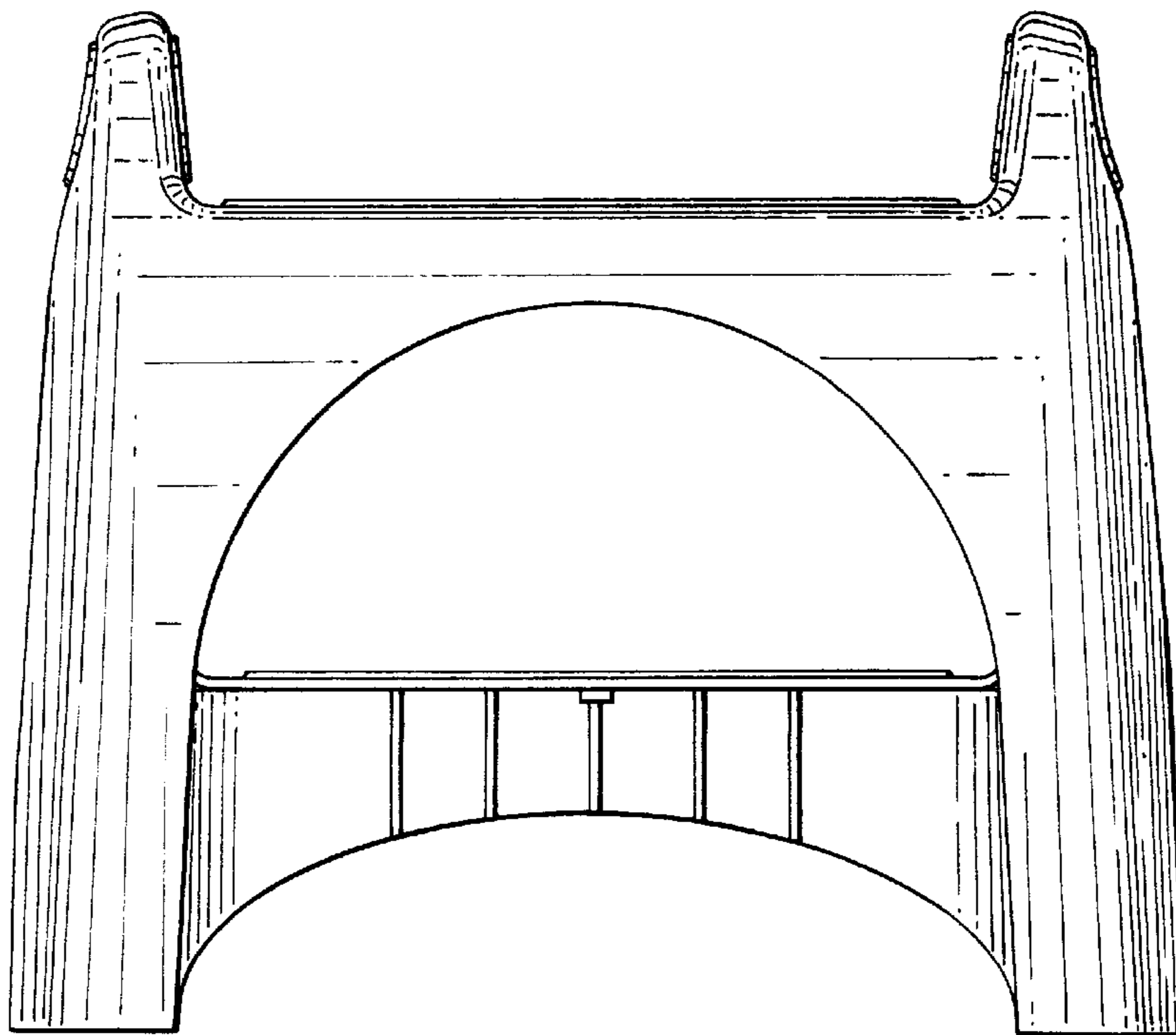


FIG. 17

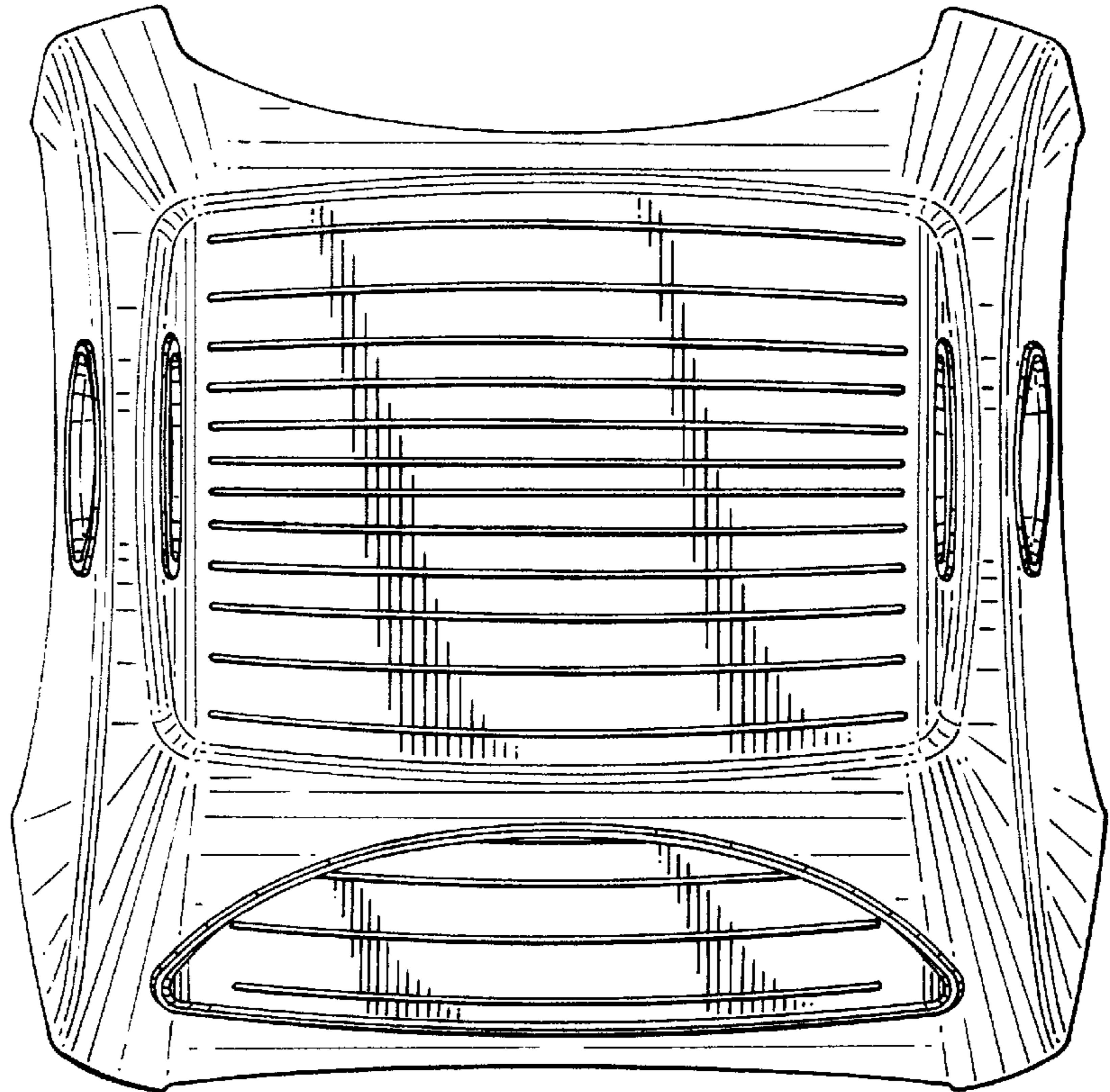


FIG. 18

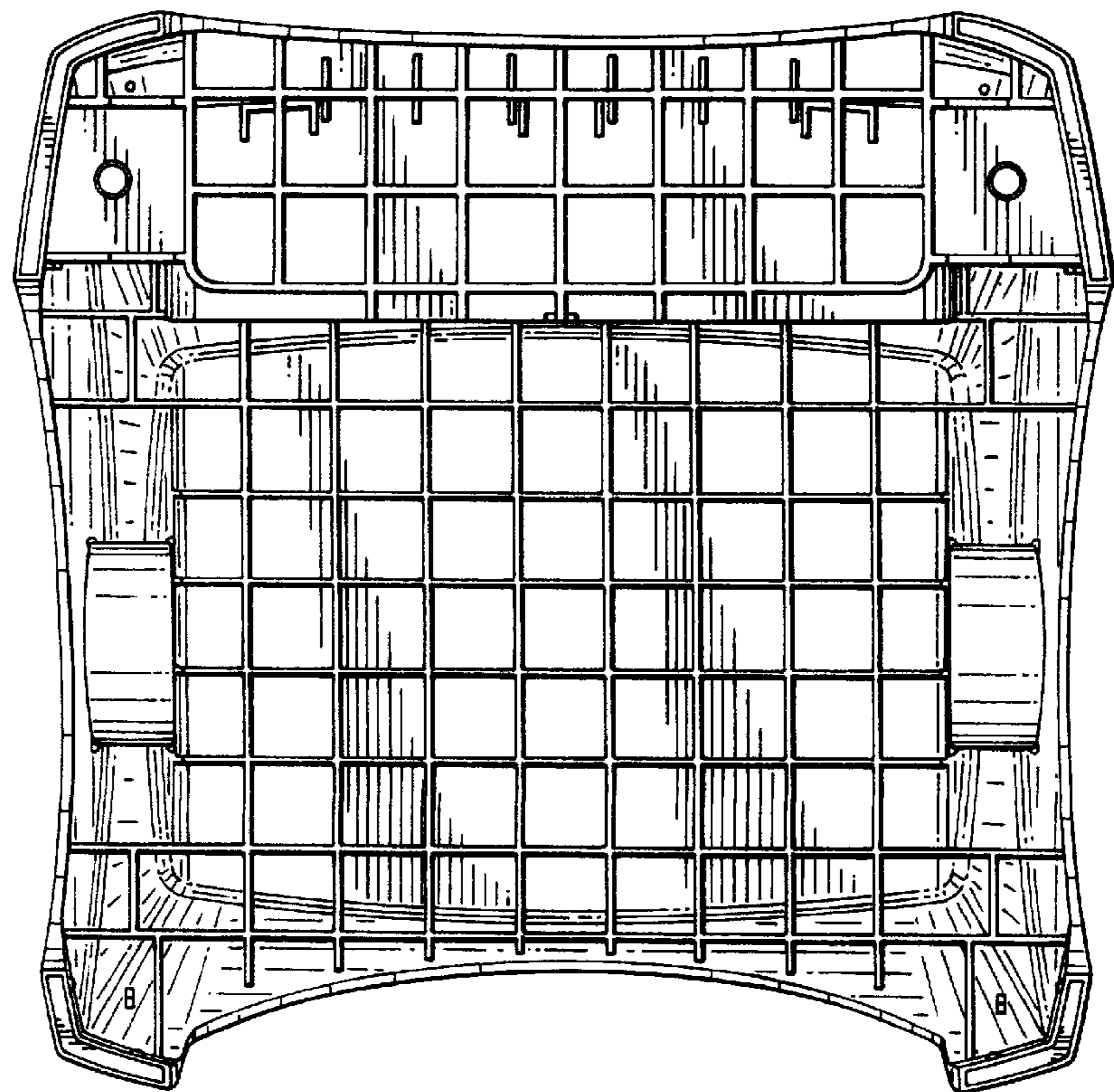




FIG. 19

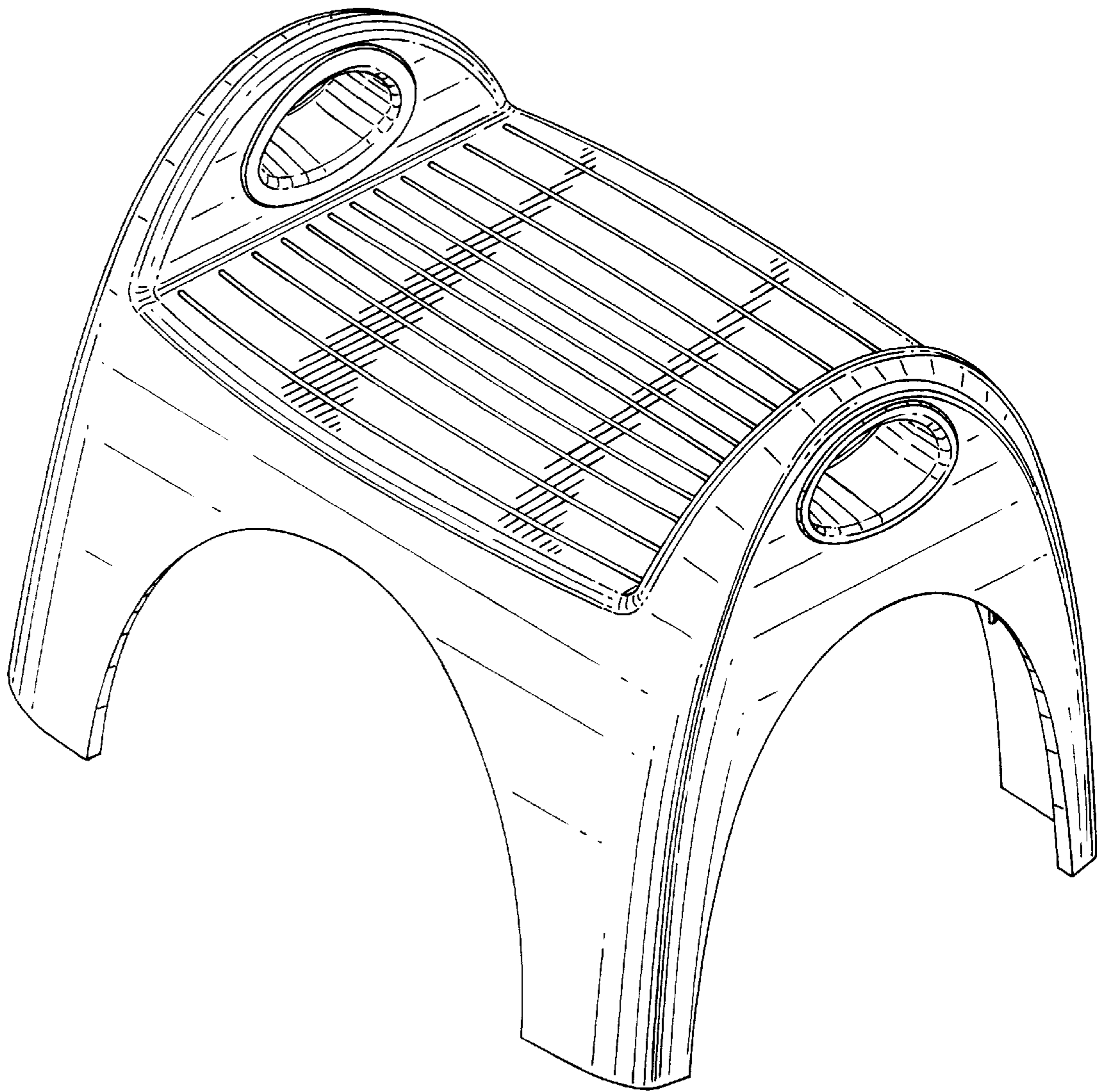


FIG. 20

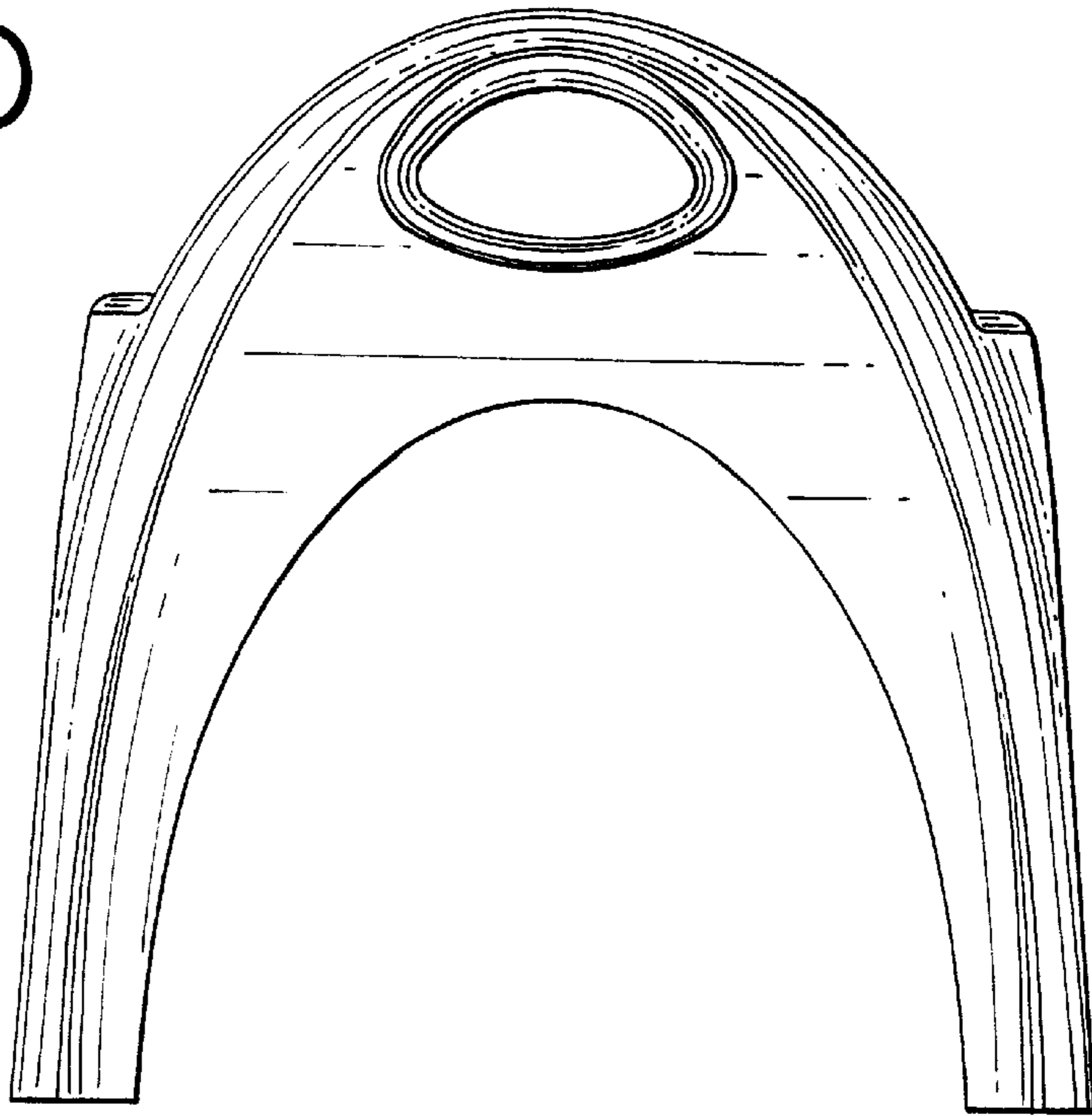


FIG. 21

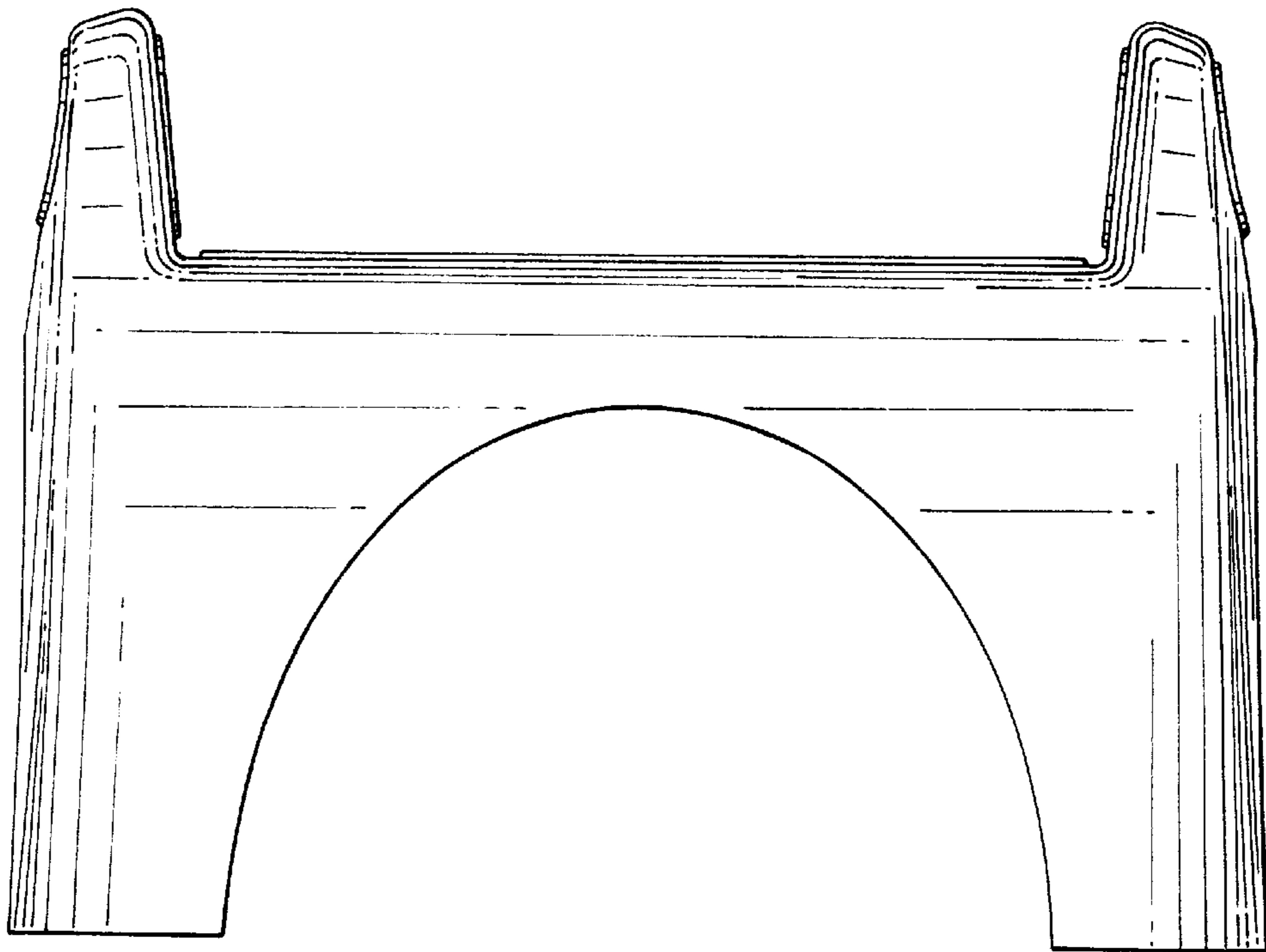


FIG. 22

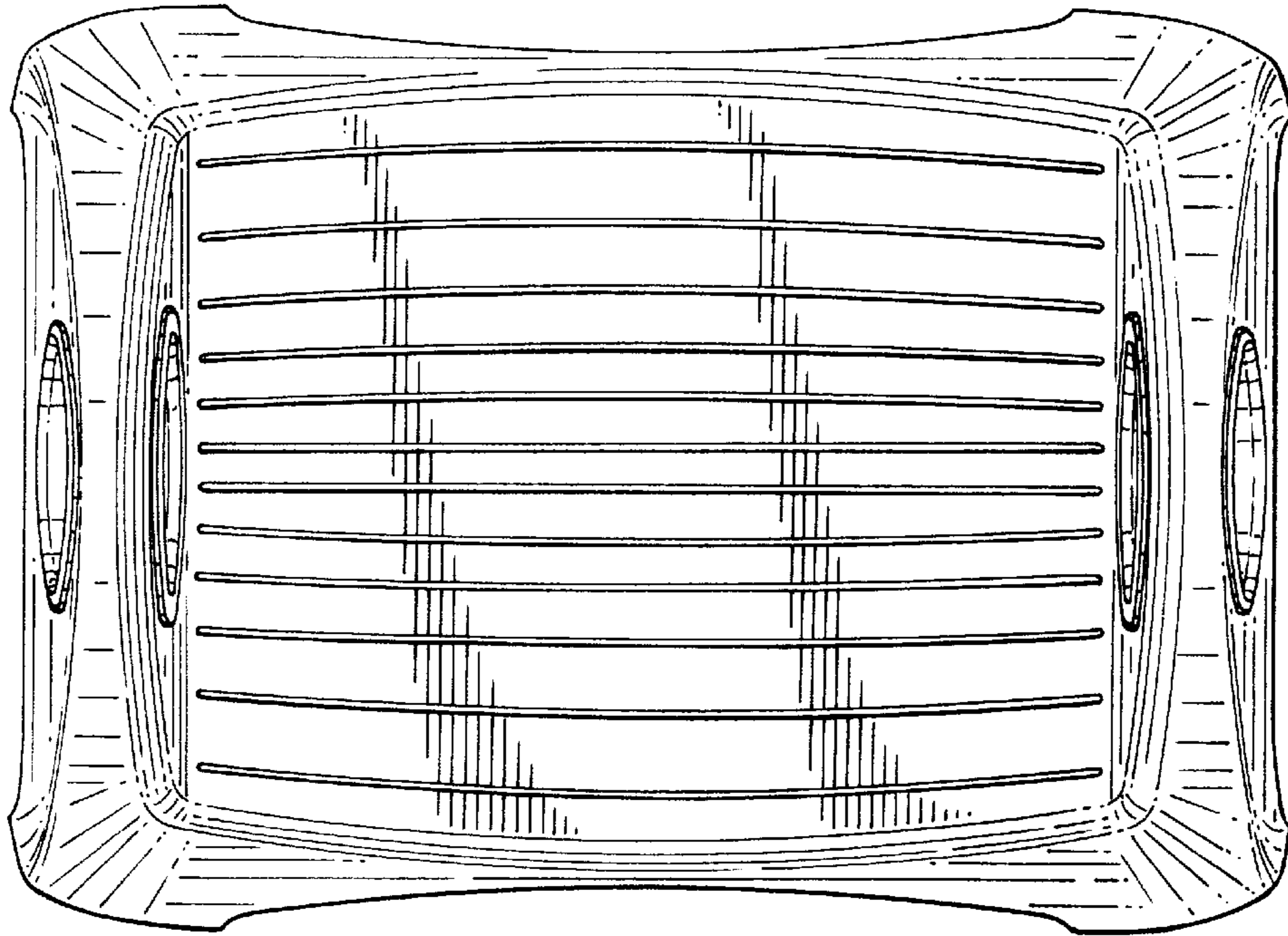


FIG. 23

