



US00D449384B1

(12) **United States Design Patent**  
**Lindborg**

(10) **Patent No.:** **US D449,384 S**

(45) **Date of Patent:** **\*\* Oct. 16, 2001**

(54) **FRAME FOR PACKING PIECES FOR A  
FIREPROOF LEAD-THROUGH IN WALLS  
AND OTHER CONSTRUCTION ELEMENTS**

4,291,195 \* 9/1981 Blomqvist et al. .... 174/48

\* cited by examiner

(75) Inventor: **Erik Lindborg**, Karlskrona (SE)

*Primary Examiner*—Doris Clark

(73) Assignee: **MCT Brattberg AB**, Karlskrona (SE)

(74) *Attorney, Agent, or Firm*—Young & Thompson

(\*\*) Term: **14 Years**

(57) **CLAIM**

(21) Appl. No.: **29/124,047**

The ornamental design for a frame for packing pieces for a fireproof lead-through in walls and other construction elements, as shown and described,

(22) Filed: **May 30, 2000**

**DESCRIPTION**

(30) **Foreign Application Priority Data**

Nov. 29, 1999 (SE) ..... 99-2134

(51) **LOC (7) Cl.** ..... **25-02**

FIG. 1 is a front perspective view of a frame for packing pieces for a fireproof lead-through in walls and other construction elements, showing my new design;

(52) **U.S. Cl.** ..... **D25/60**

FIG. 2 is a rear perspective view thereof;

(58) **Field of Search** ..... 174/48; D25/60,  
D25/199

FIG. 3 is a front elevational view thereof; and,

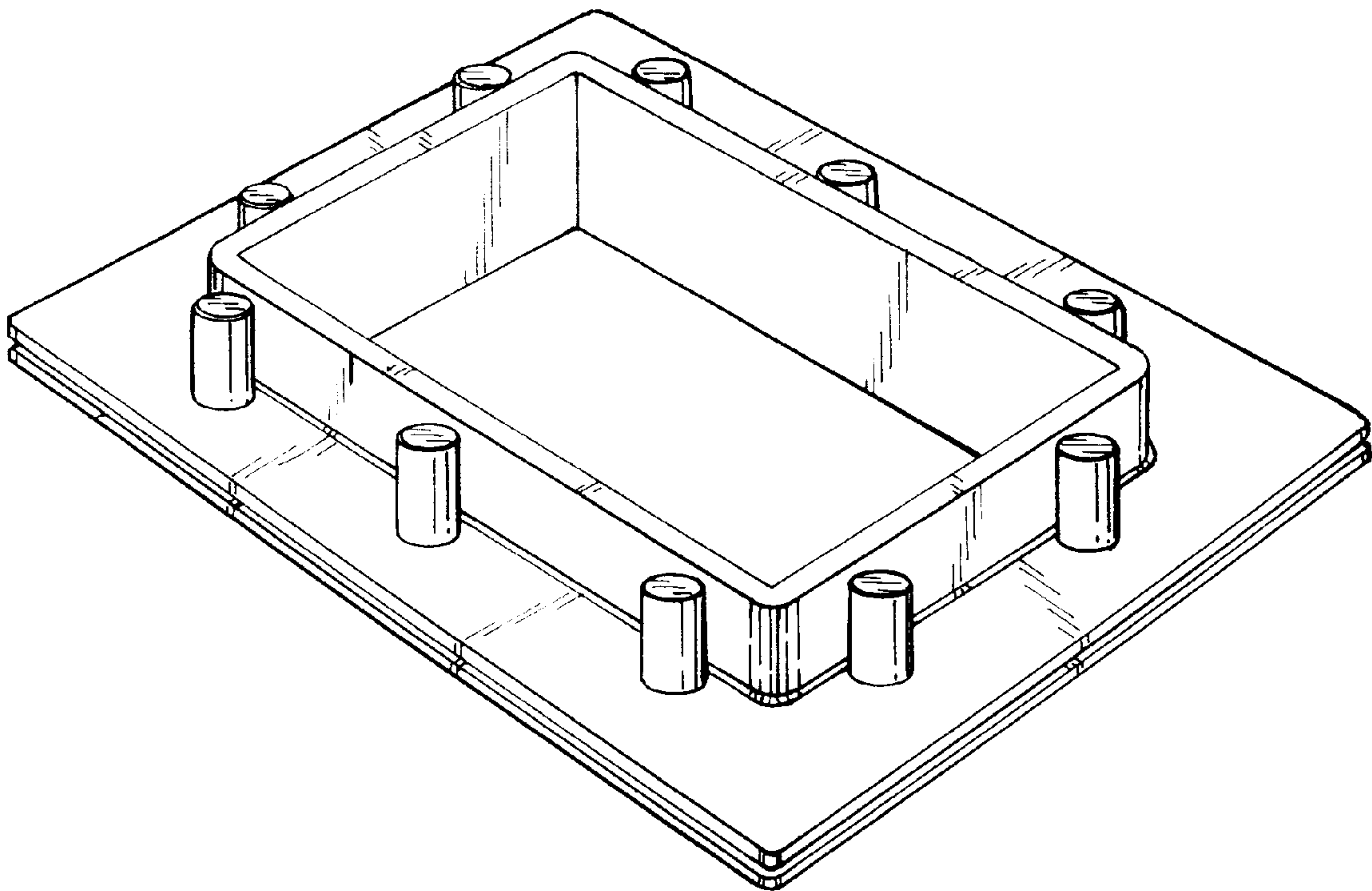
(56) **References Cited**

FIG. 4 is a side elevational view thereof, seen from the left of FIG. 1, the opposite side thereof being identical thereto.

**U.S. PATENT DOCUMENTS**

1,640,595 \* 8/1927 Buss ..... D25/60

**1 Claim, 2 Drawing Sheets**



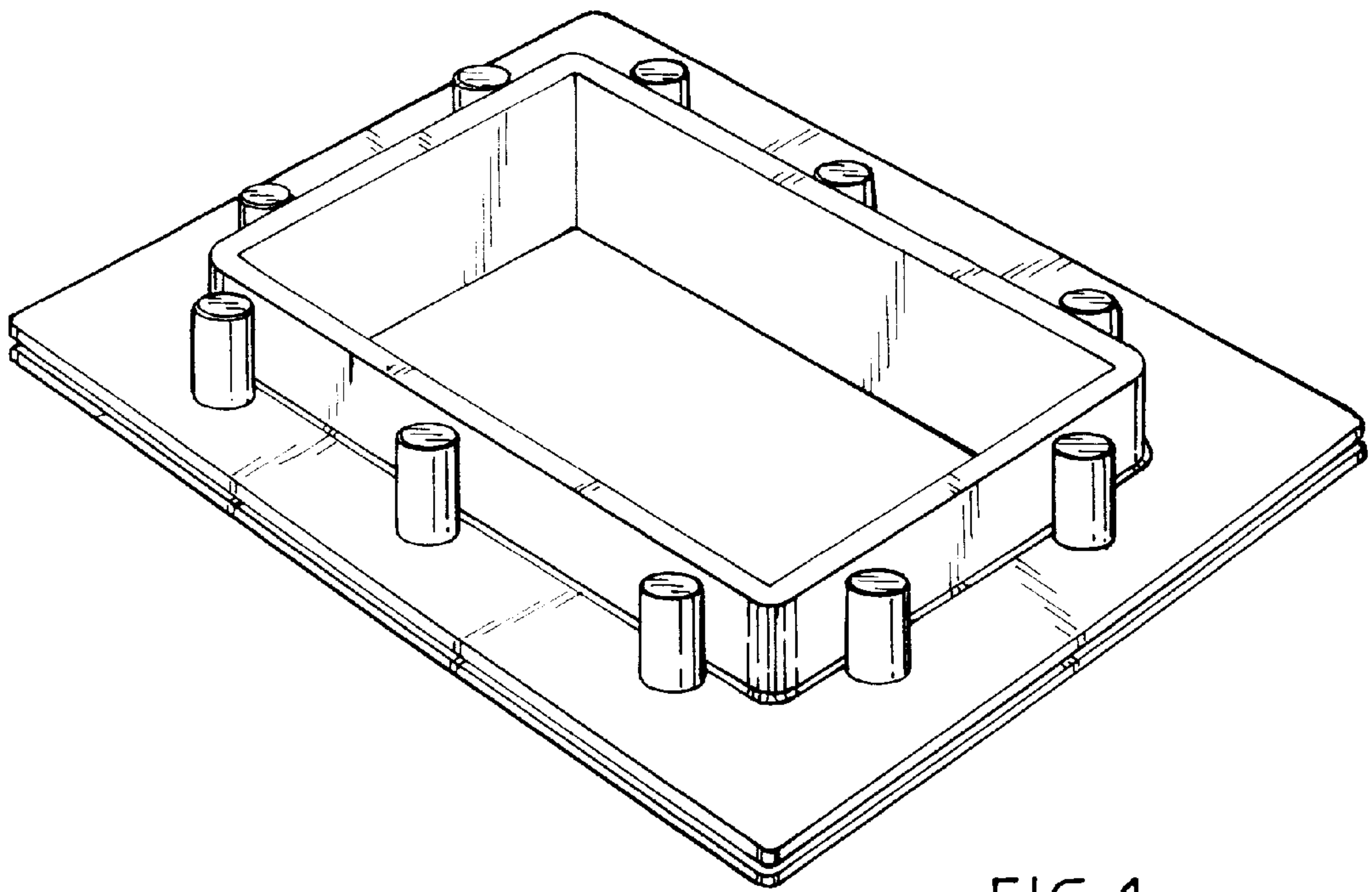


FIG. 1

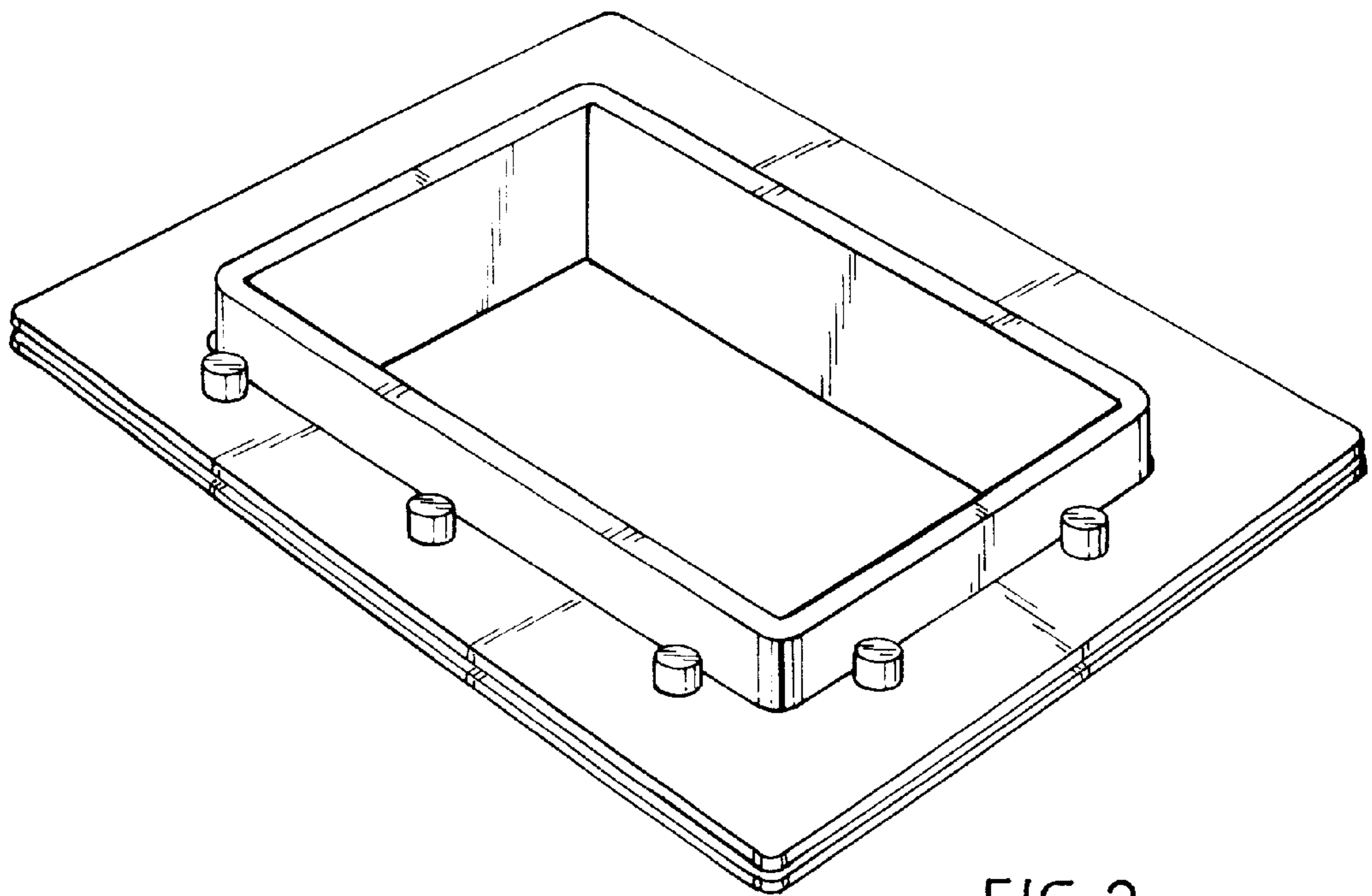


FIG. 2

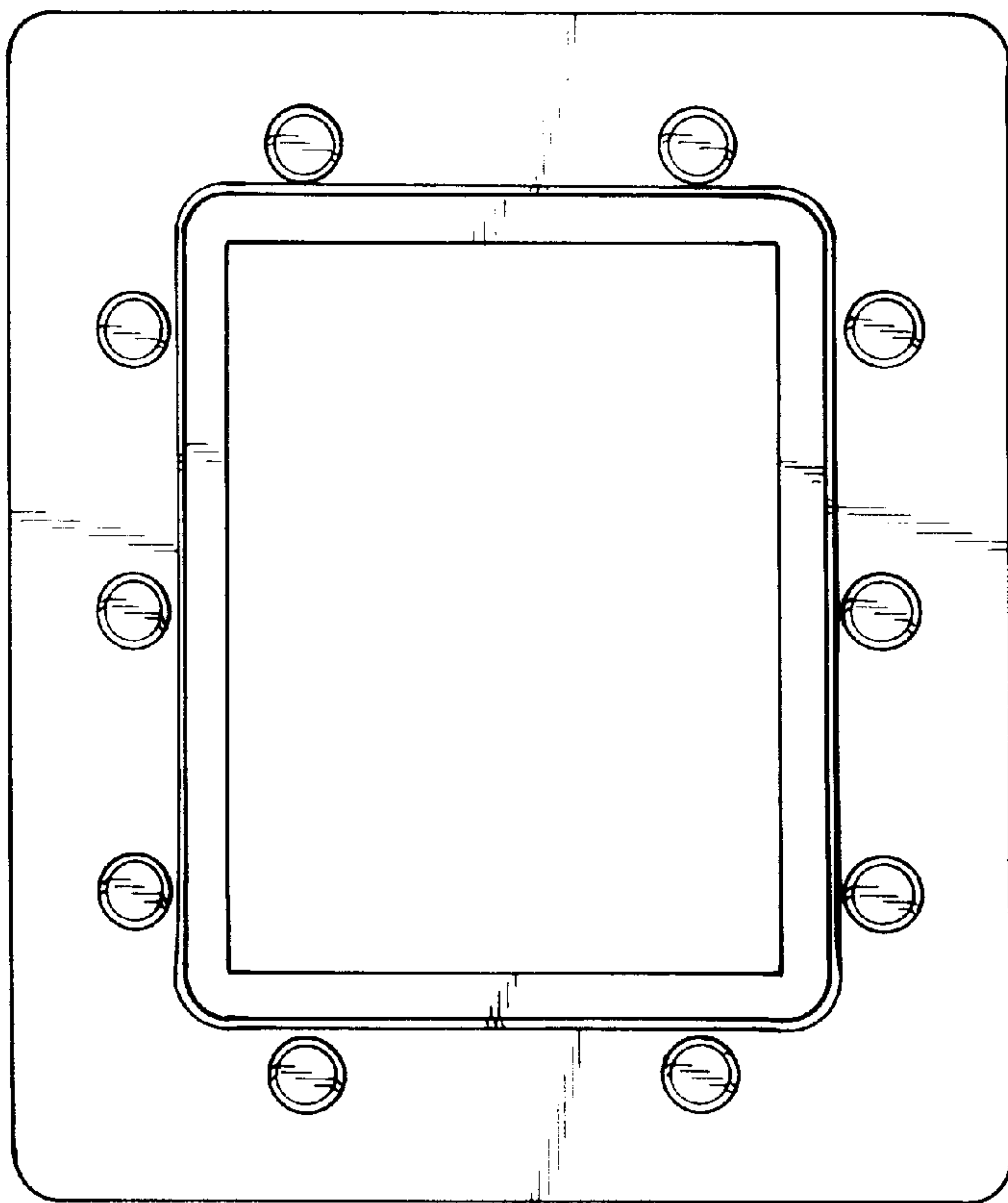


FIG. 3

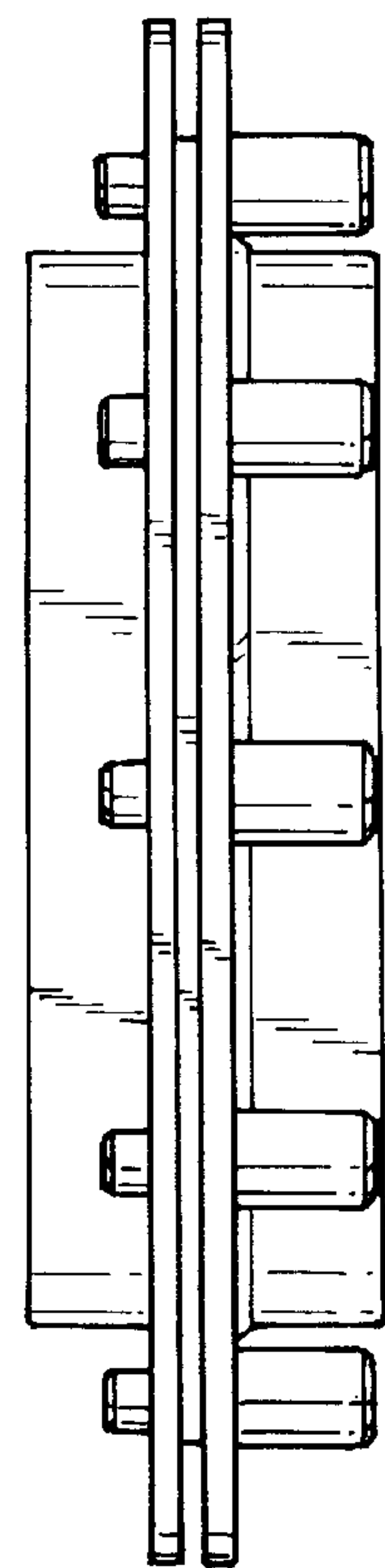


FIG. 4