



US00D449380B1

(12) **United States Design Patent**
Fuhr

(10) **Patent No.:** **US D449,380 S**

(45) **Date of Patent:** **** Oct. 16, 2001**

(54) **FORCE APPLYING END OF A
CHIROPRACTIC ADJUSTING INSTRUMENT
INCLUDING BODY CONTACT MEMBER
AND SHANK**

5,653,733 * 8/1997 Keller et al. 606/238
5,656,017 * 8/1997 Keller et al. 601/108

* cited by examiner

Primary Examiner—Ian Simmons

(76) **Inventor:** **Arlan W. Fuhr**, 3714 E. Indian School
Rd., Phoenix, AZ (US) 85018

(74) *Attorney, Agent, or Firm*—Leydig, Voit & Mayer, Ltd.

(**) **Term:** **14 Years**

(57) **CLAIM**

(21) **Appl. No.:** **29/128,290**

The ornamental design for a force applying end of a chiro-
practic adjusting instrument including body contact member
and shank, as shown and described.

(22) **Filed:** **Aug. 22, 2000**

DESCRIPTION

(51) **LOC (7) Cl.** **24-02**

(52) **U.S. Cl.** **D24/142; D24/133**

(58) **Field of Search** D24/171, 133,
D24/142, 200; D8/80, 81, 84, 300, 301;
606/238, 237, 239; 601/107, 108

FIG. 1 is a bottom perspective view of a force applying end of a chiro-
practic adjusting instrument including body contact
member and shank showing my new design;

FIG. 2 is a side elevational view thereof;

FIG. 3 is a bottom plan view thereof, taken along line 3—3
in FIG. 2; and,

FIG. 4 is a top plan view thereof, taken along line 4—4 in
FIG. 2.

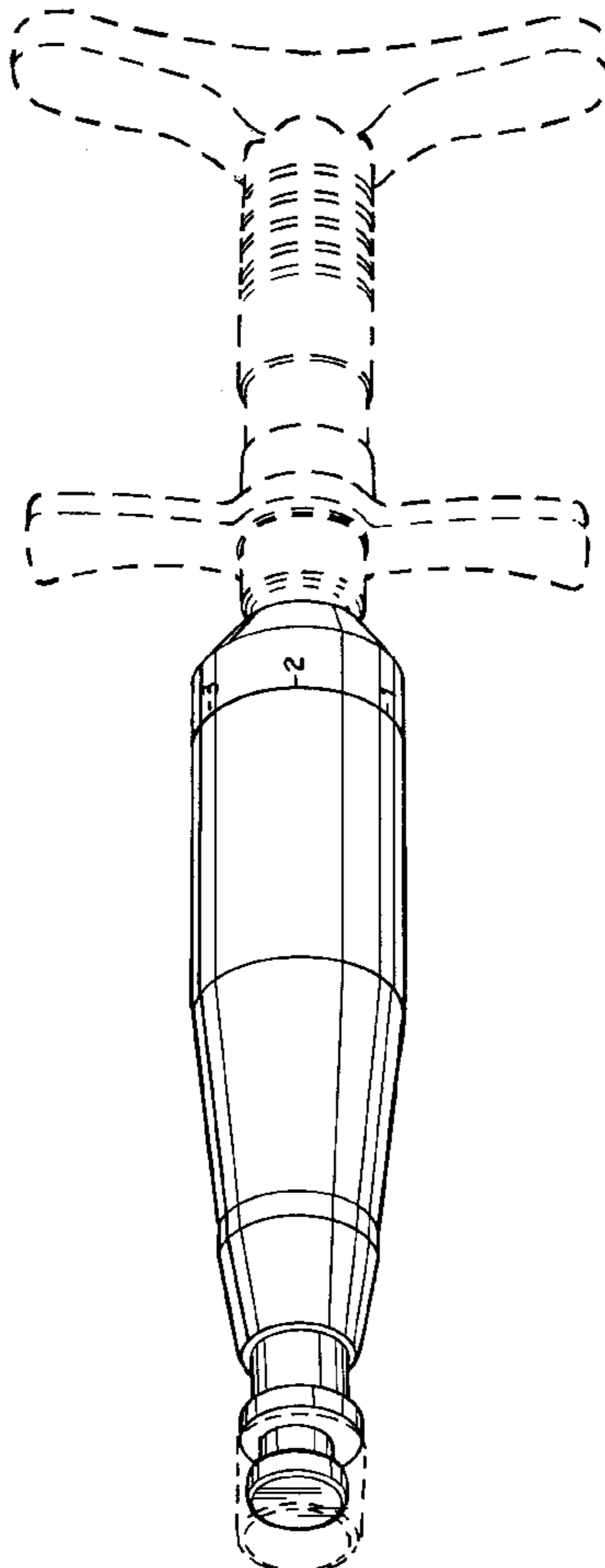
(56) **References Cited**

U.S. PATENT DOCUMENTS

- D. 269,812 * 7/1983 Lancellotti D24/171
- D. 374,081 * 9/1996 Keller et al. D24/133
- 4,116,235 * 9/1978 Fuhr et al. 606/238
- 5,632,765 * 5/1997 Holder 606/238

The broken line illustration in FIGS. 1, 2 and 3 is for
illustrative purposes only and forms no part of the claimed
design.

1 Claim, 2 Drawing Sheets



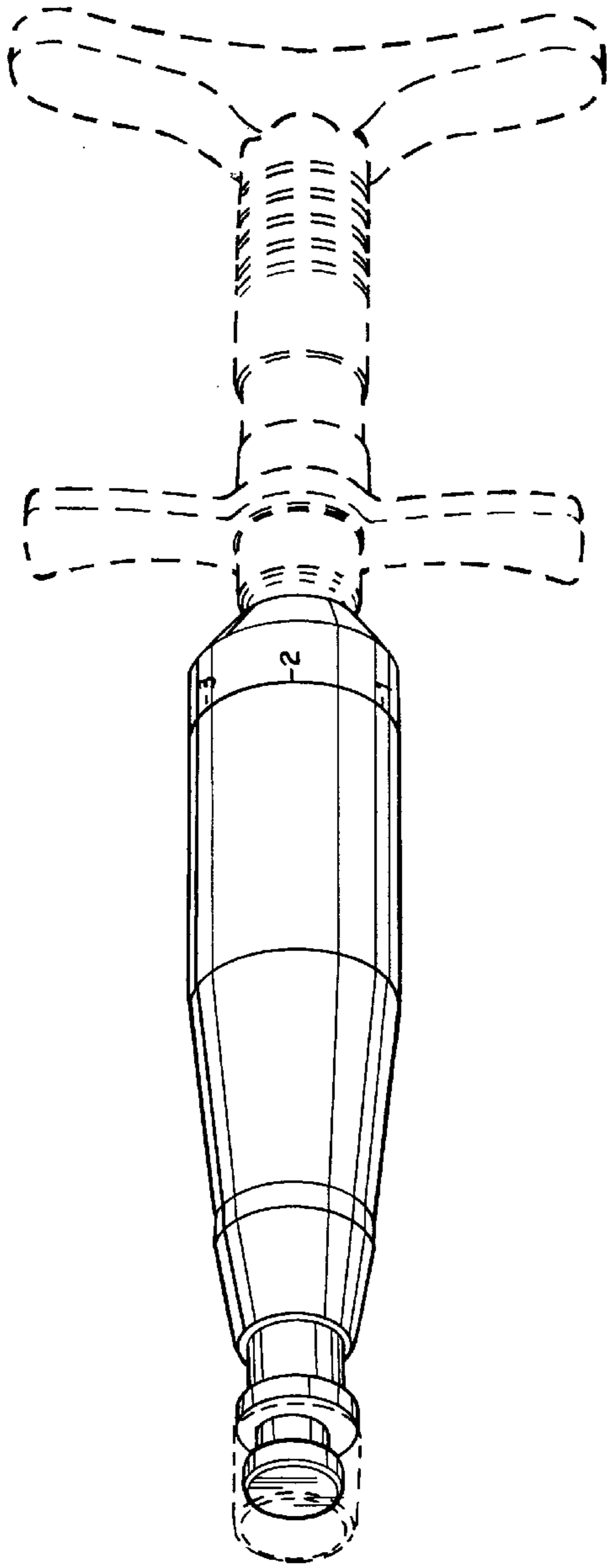


Fig. 1

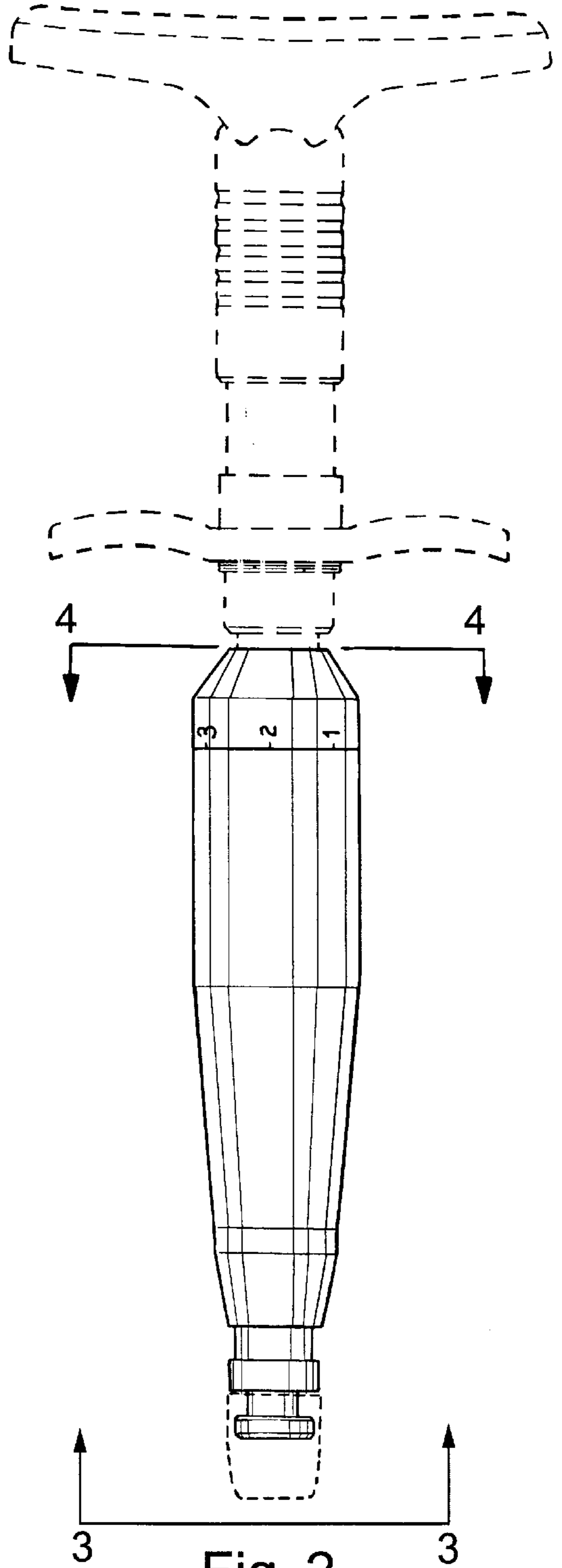


Fig. 2

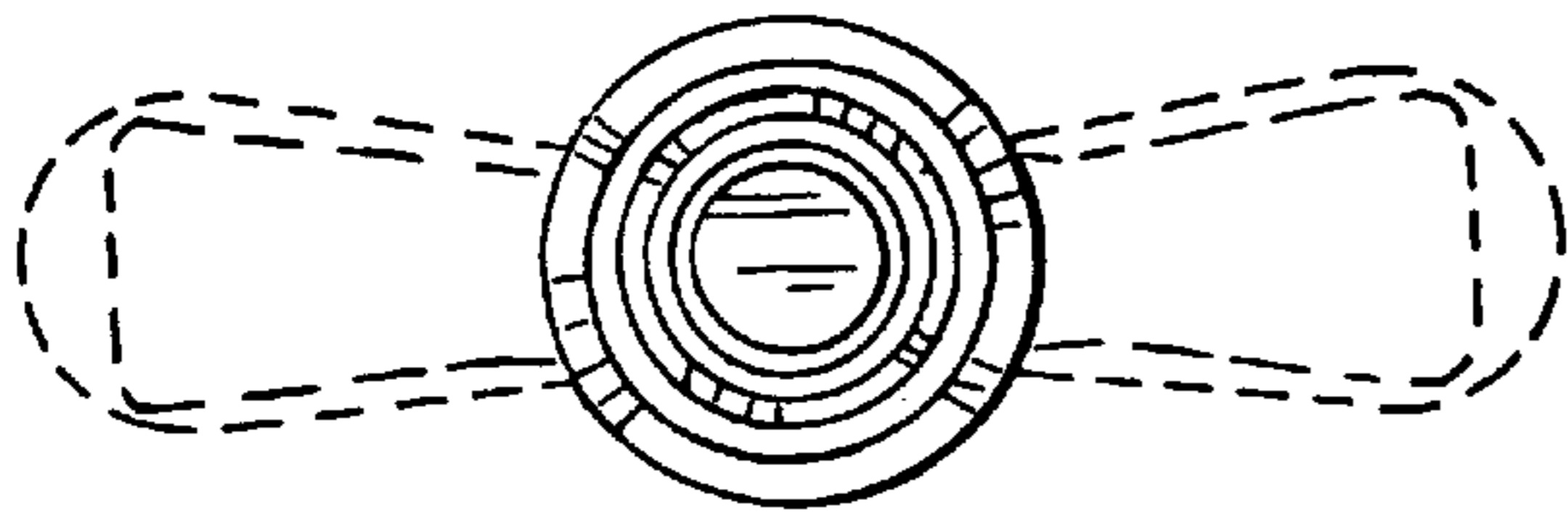


Fig. 3

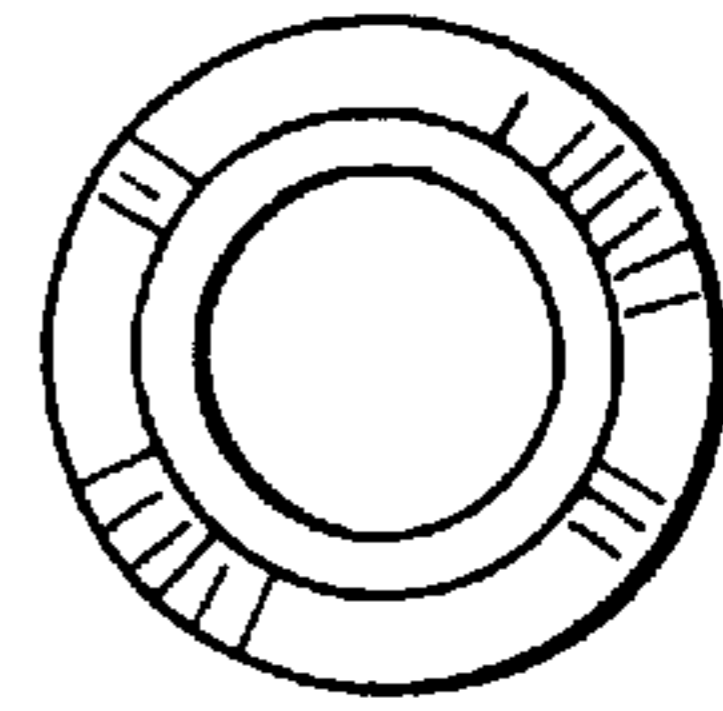


Fig. 4