



US00D449379B1

(12) **United States Design Patent**
Fuhr

(10) **Patent No.:** **US D449,379 S**

(45) **Date of Patent:** **** Oct. 16, 2001**

(54) **HANDLE END OF CHIROPRACTIC
ADJUSTING INSTRUMENT**

5,632,765 * 5/1997 Holder 606/238
5,653,733 * 8/1997 Keller et al. 606/238
5,656,017 * 8/1997 Keller et al. 601/108

(76) **Inventor:** **Arlan W. Fuhr**, 3714 E. Indian School
Rd., Phoenix, AZ (US) 85018

* cited by examiner

(**) **Term:** **14 Years**

Primary Examiner—Ian Simmons

(74) *Attorney, Agent, or Firm*—Leydig, Voit & Mayer, Ltd.

(21) **Appl. No.:** **29/128,291**

(57) **CLAIM**

(22) **Filed:** **Aug. 22, 2000**

The ornamental design for a handle end of chiropractic
adjusting instrument, as shown and described.

(51) **LOC (7) Cl.** **24-02**

DESCRIPTION

(52) **U.S. Cl.** **D24/133; D24/142**

(58) **Field of Search** D24/133, 200,
D24/142, 171; 606/238, 237, 239; 601/107,
108; D8/80, 81, 84, 300, 315, 316, 301,
317, 320

FIG. 1 is a bottom perspective view of a handle end of a
chiropractic adjusting instrument showing my new design;
FIG. 2 is a side elevational view thereof;

FIG. 3 is a bottom plan view thereof, taken along line 3—3
in FIG. 2; and,

FIG. 4 is a top plan view thereof, taken along line 4—4 in
FIG. 2.

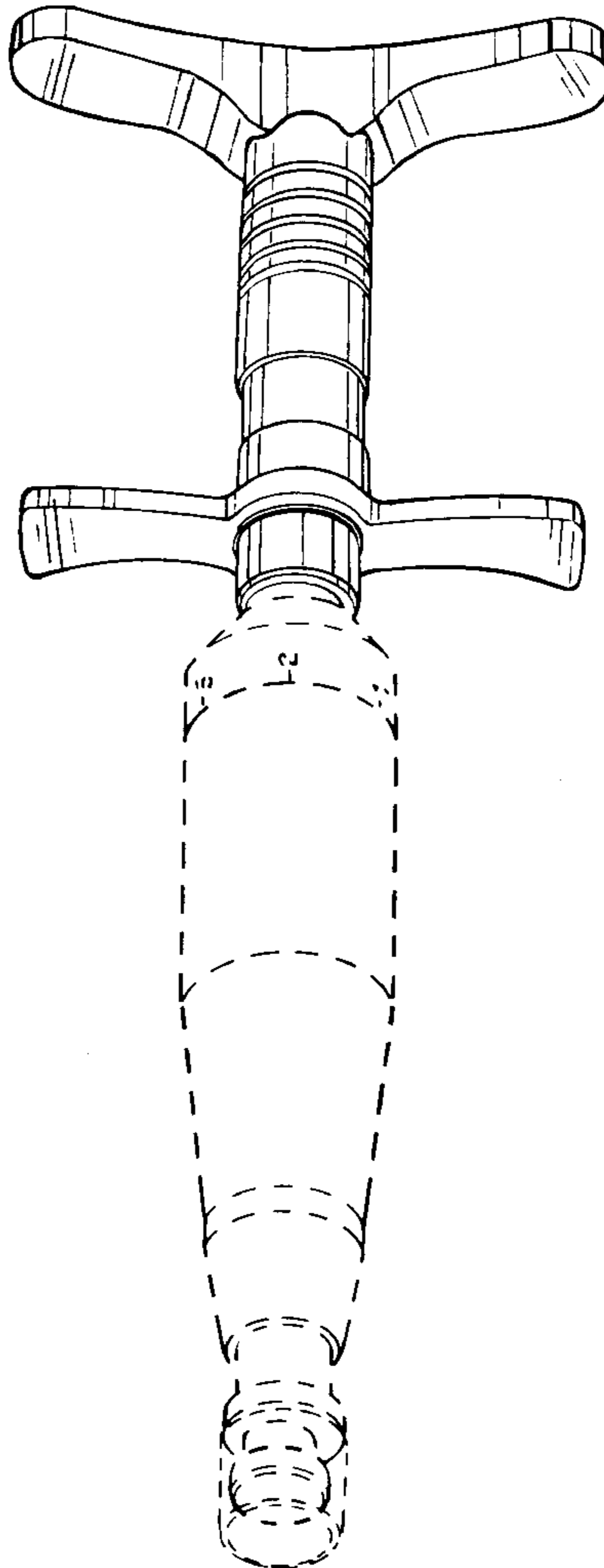
(56) **References Cited**

U.S. PATENT DOCUMENTS

D. 269,812 * 7/1983 Lancellotti D24/171
D. 374,081 * 9/1996 Keller et al. D24/133
4,116,235 * 9/1978 Fuhr et al. 606/238

The broken line illustration in FIGS. 1 and 2 is for illustra-
tive purposes only and forms no part of the claimed design.

1 Claim, 2 Drawing Sheets



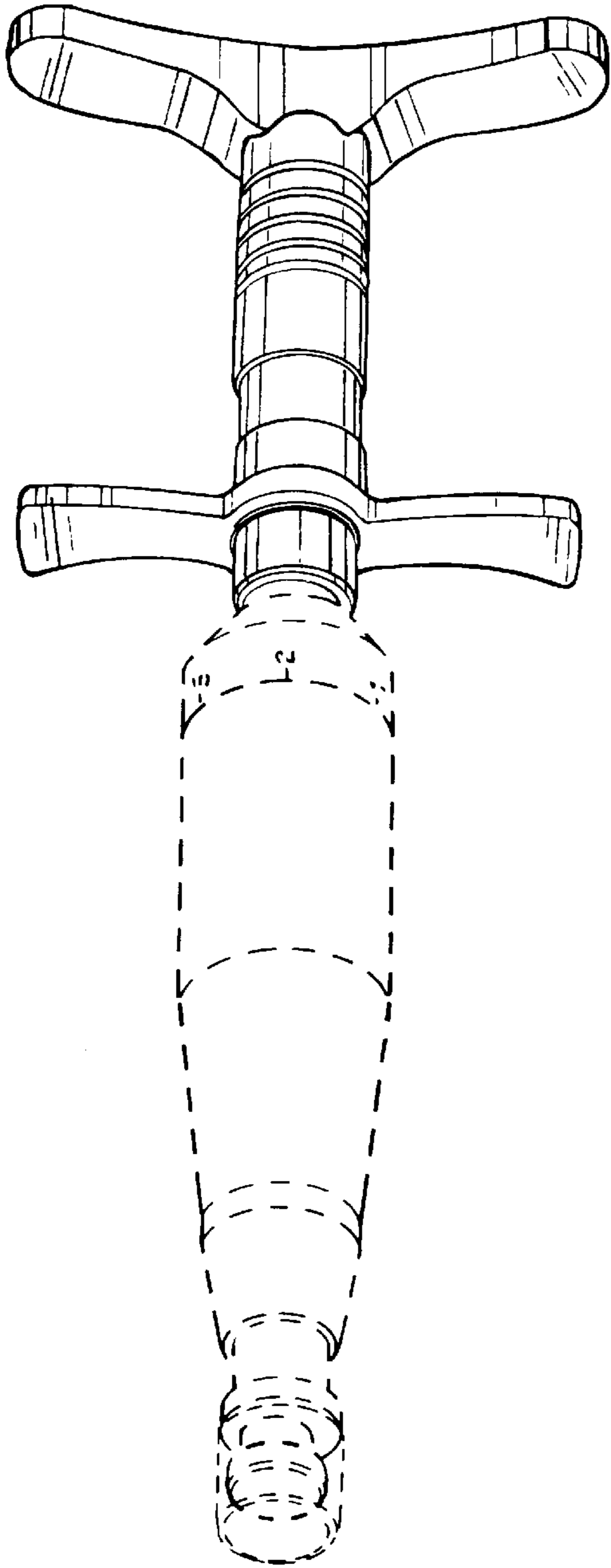


Fig. 1

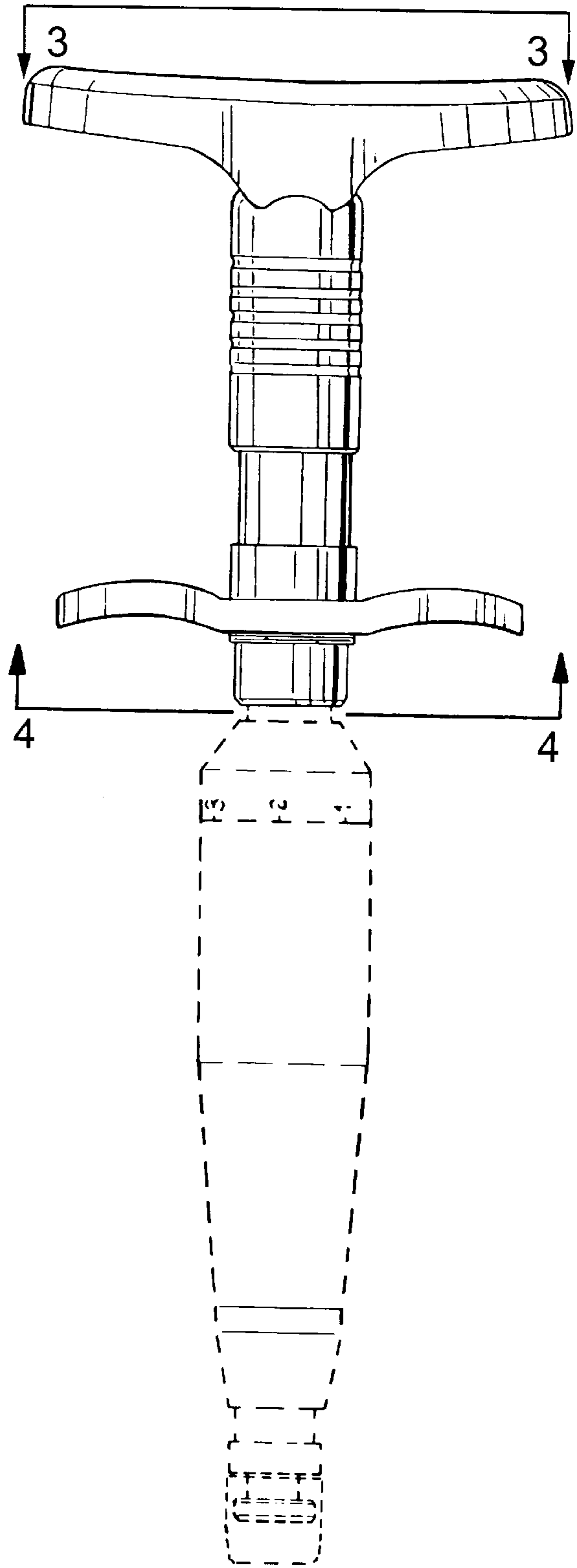


Fig. 2

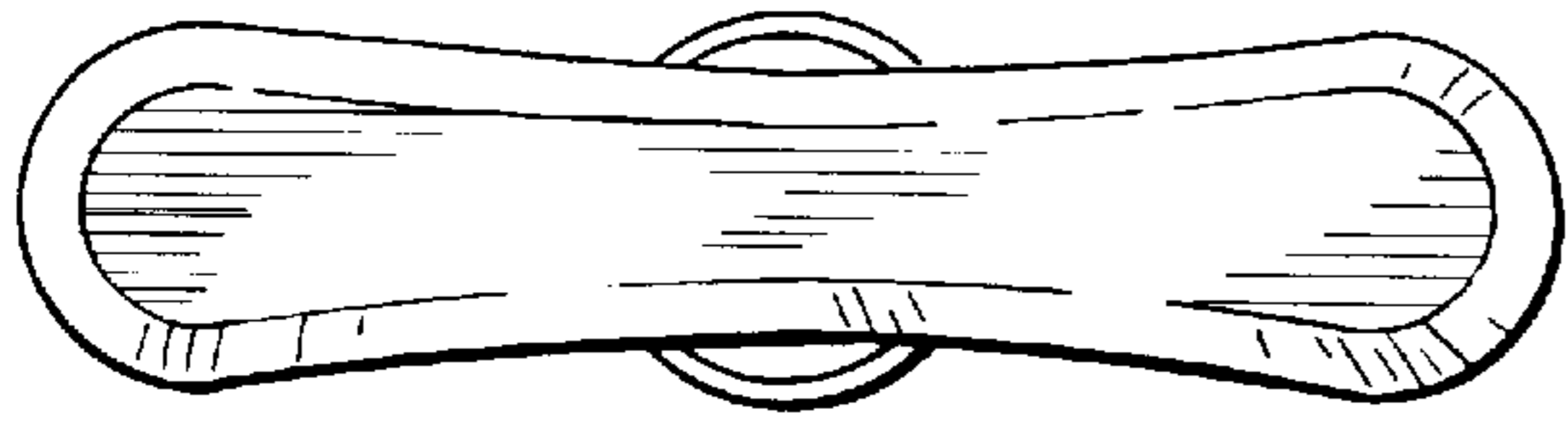


Fig. 3

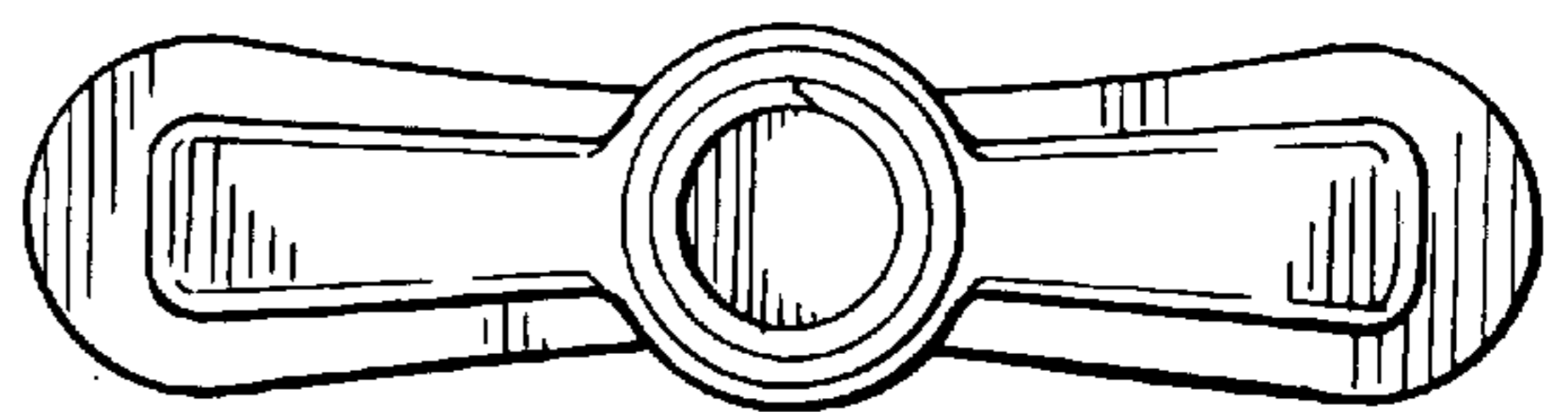


Fig. 4