



US00D449376B1

(12) **United States Design Patent**
McDonald et al.

(10) **Patent No.:** **US D449,376 S**
(45) **Date of Patent:** **** Oct. 16, 2001**

- (54) **OXYGEN DELIVERY SYSTEM**
- (75) Inventors: **Lee McDonald; Maurice Lavimodiere,**
both of Barrie (CA)
- (73) Assignee: **Southmedic Incorporated, Barrie (CA)**
- (**) Term: **14 Years**
- (21) Appl. No.: **29/131,646**
- (22) Filed: **Oct. 25, 2000**
- (51) **LOC (7) Cl.** **29-02**
- (52) **U.S. Cl.** **D24/110; D24/110.1; D24/110.4;**
D14/206
- (58) **Field of Search** D24/110.4, 110.6,
D24/164, 110.1, 110; 128/206.28, 207.11,
207.17, 204.18, 202.18, 205.25, 206.12,
206.21, 206.27; D14/206, 205, 142

4,593,688 6/1986 Payton .
4,739,757 4/1988 Edwards .
5,575,282 11/1996 Knoch .

FOREIGN PATENT DOCUMENTS

1128826 8/1982 (CA) .
2251531 10/1997 (CA) .
WO 97/38746 10/1997 (WO) .
WO 99/13929 3/1999 (WO) .

* cited by examiner

Primary Examiner—Ian Simmons

(74) *Attorney, Agent, or Firm*—Nikolai & Mersereau, P.A.

(57) **CLAIM**

The ornamental design for an oxygen delivery system, as shown and described.

DESCRIPTION

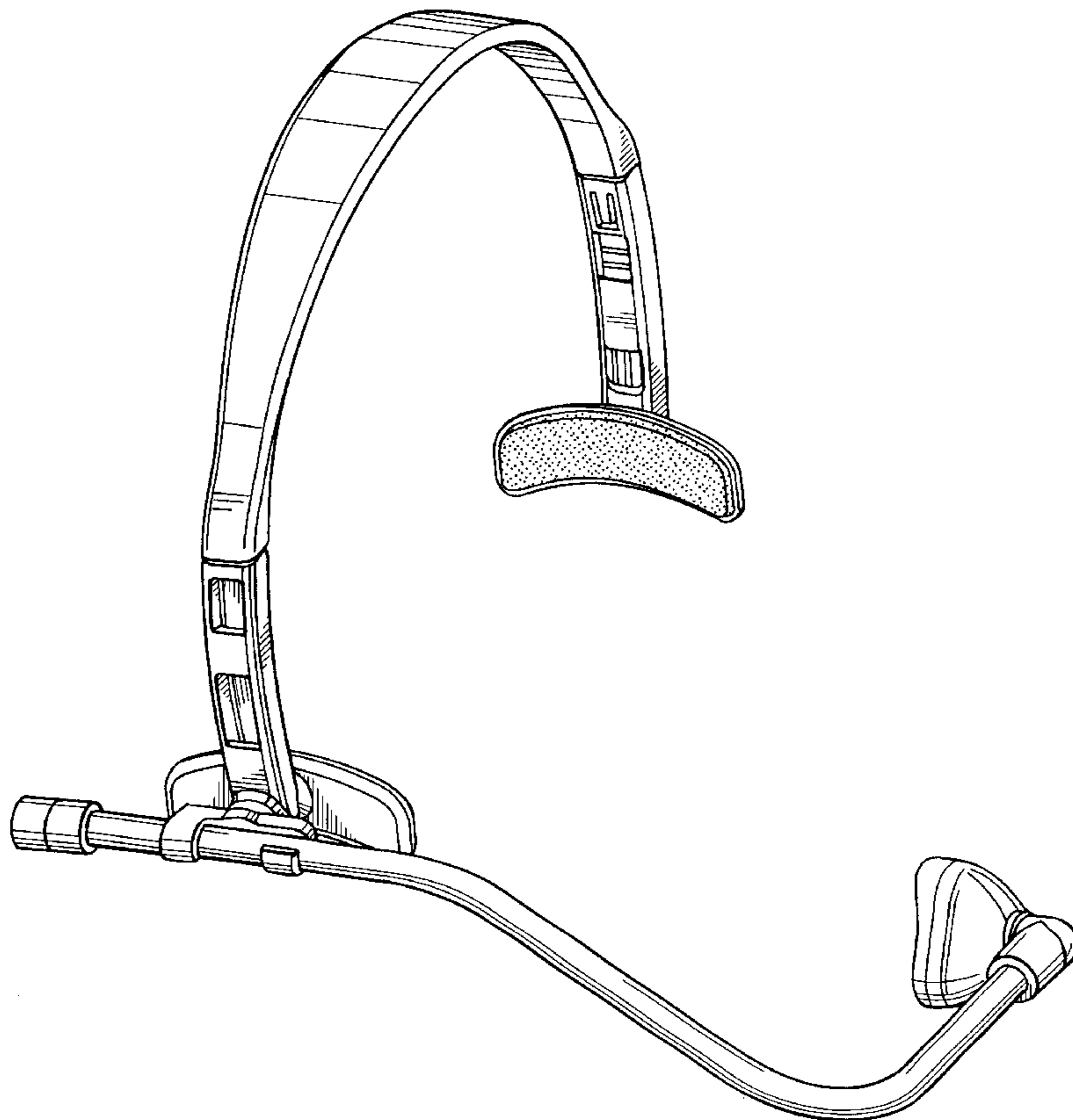
FIG. 1 is a side perspective view of the oxygen delivery system;
FIG. 2 is an elevation view from the front.
FIG. 3 is an elevation view from the rear.
FIG. 4 is a plan view from above.
FIG. 5 is a plan view from below.
FIG. 6 is a plan view from one side; and,
FIG. 7 is a plan view from the other side.

1 Claim, 7 Drawing Sheets

(56) **References Cited**

U.S. PATENT DOCUMENTS

- D. 410,921 * 6/1999 Luchs et al. D14/142
- 1,974,828 9/1934 Markut .
- 3,040,741 6/1962 Carolan .
- 3,599,635 * 8/1971 Ansite 128/207.11
- 3,683,907 8/1972 Cotabish .
- 3,850,168 11/1974 Ferguson .



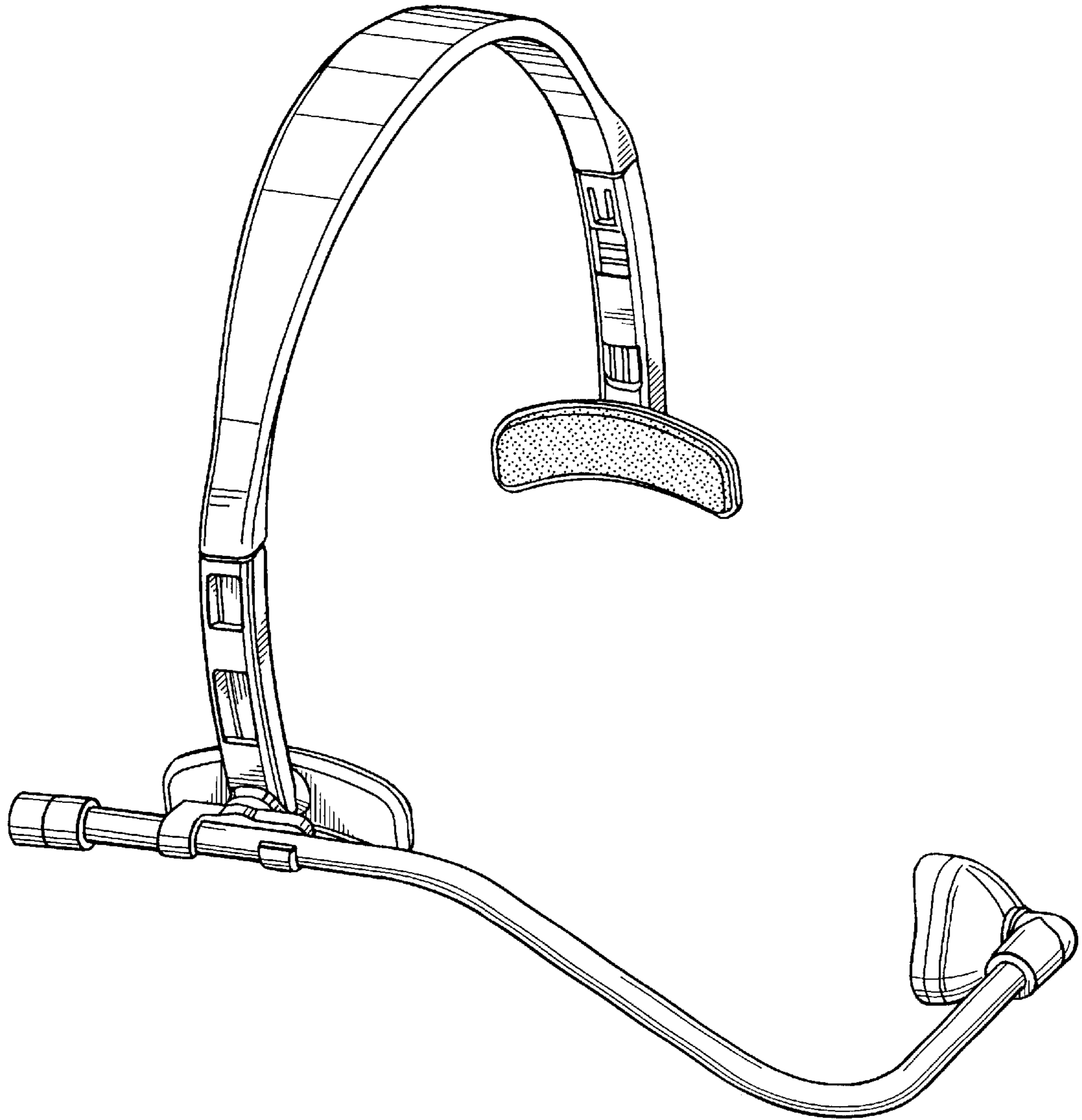


FIG. 1

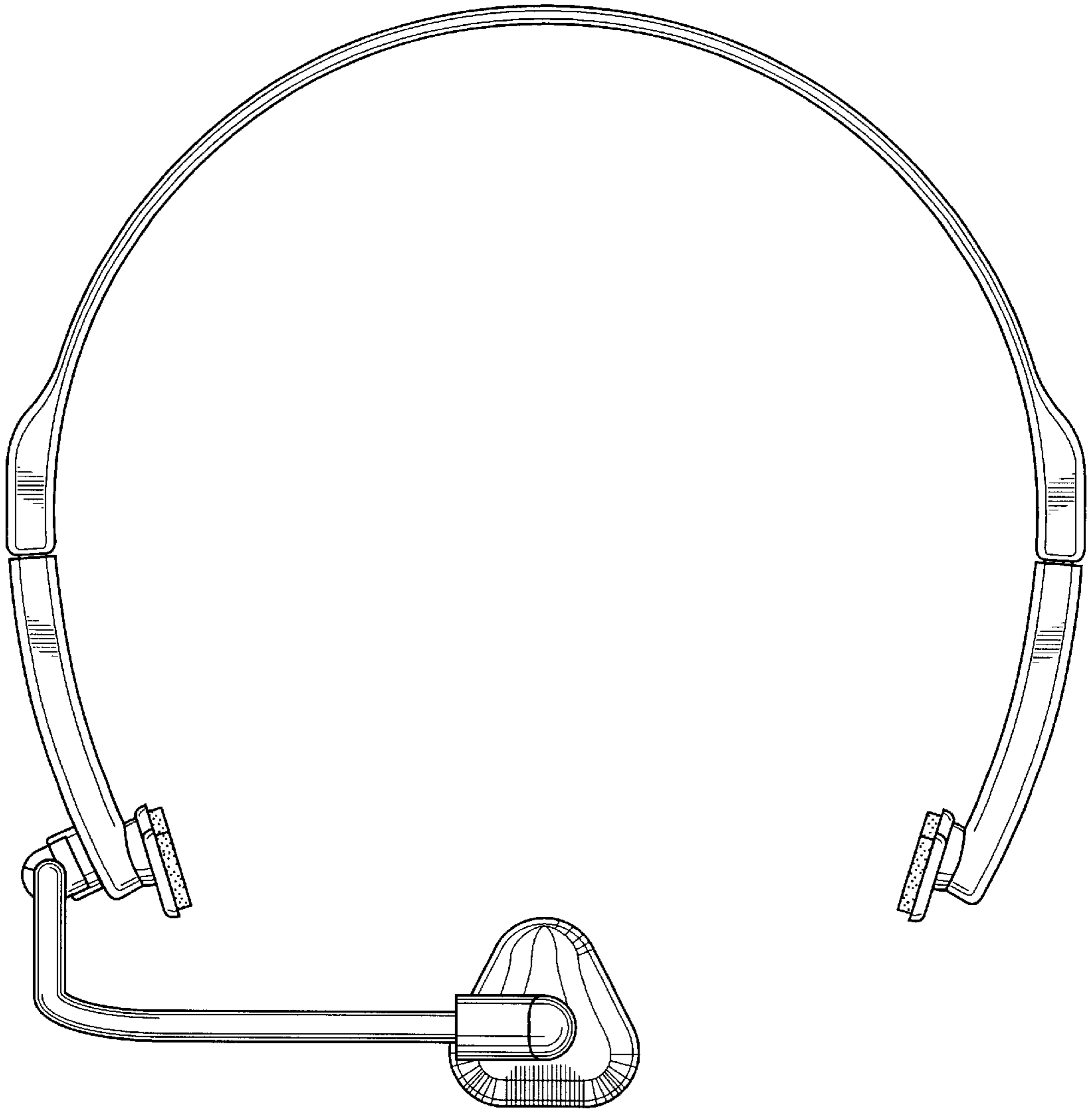


FIG. 2

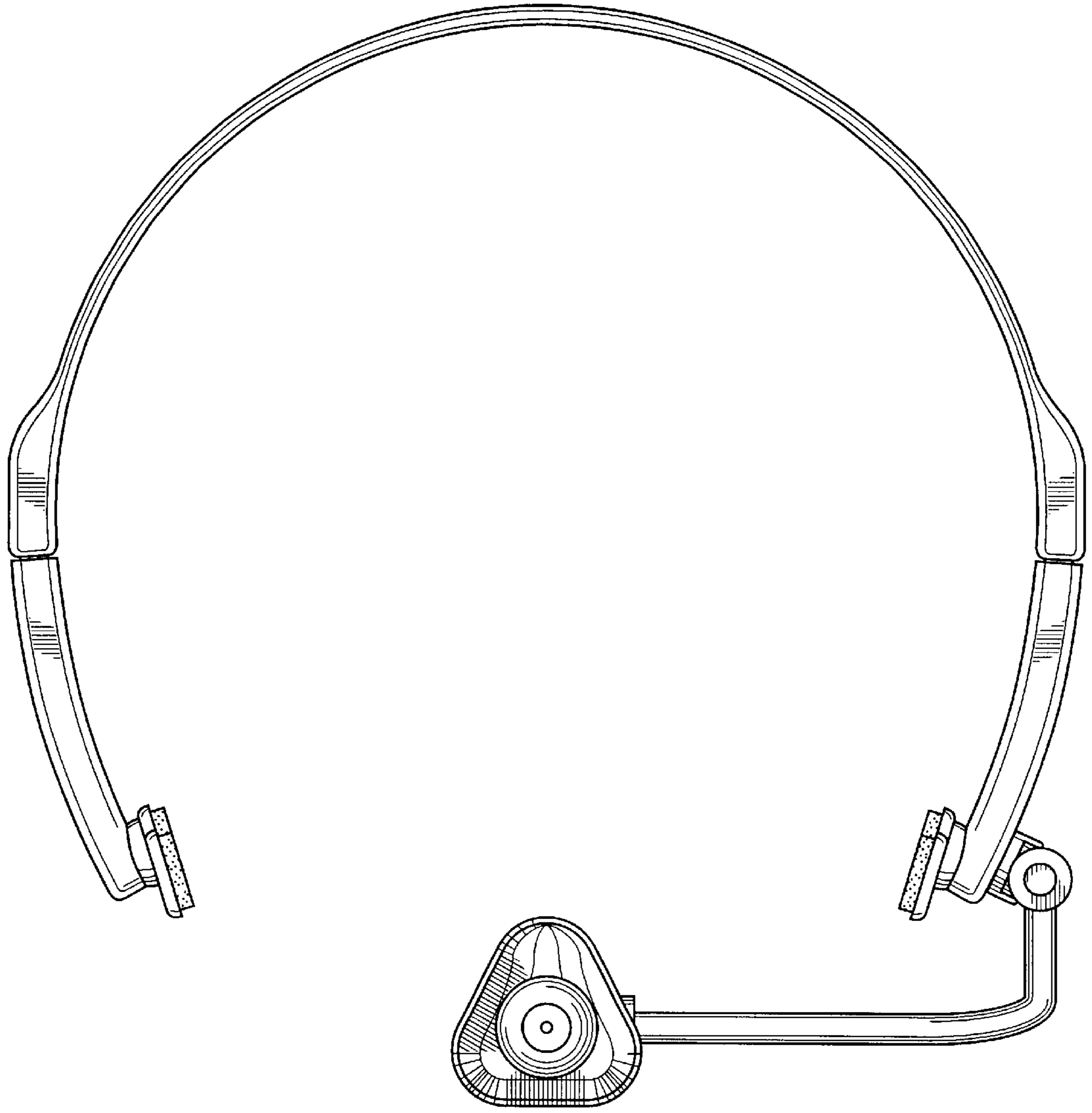


FIG. 3

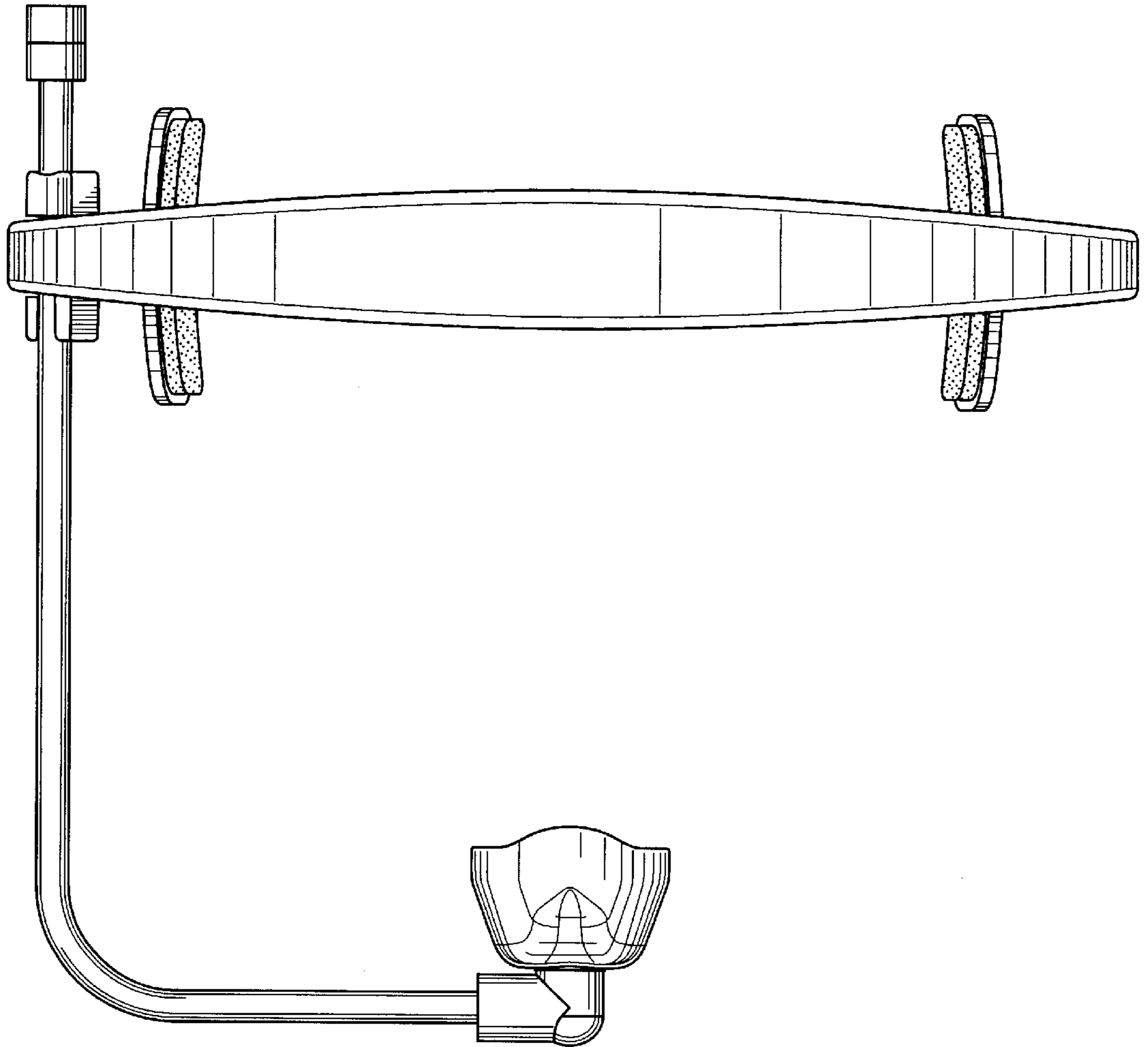
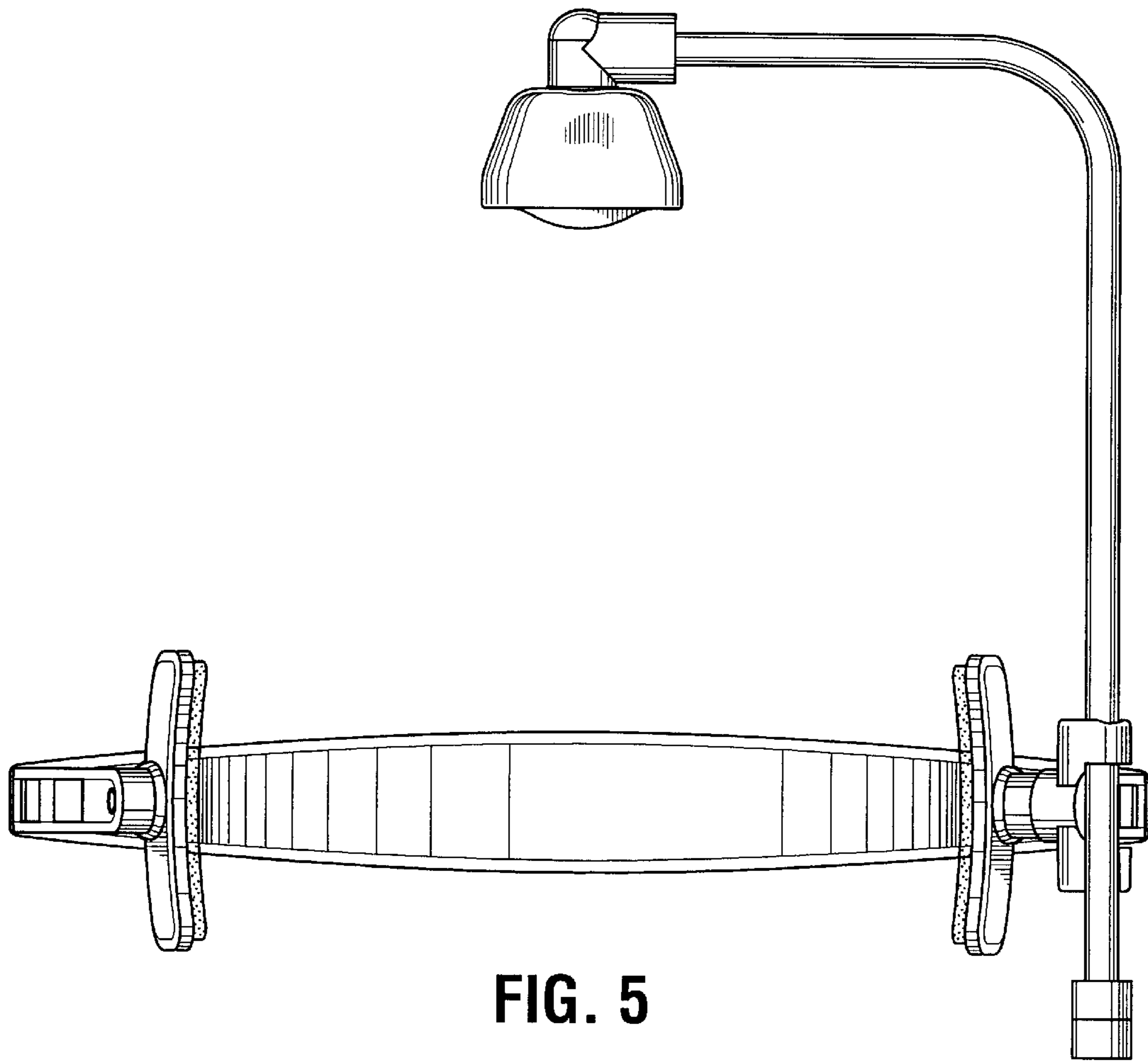


FIG. 4



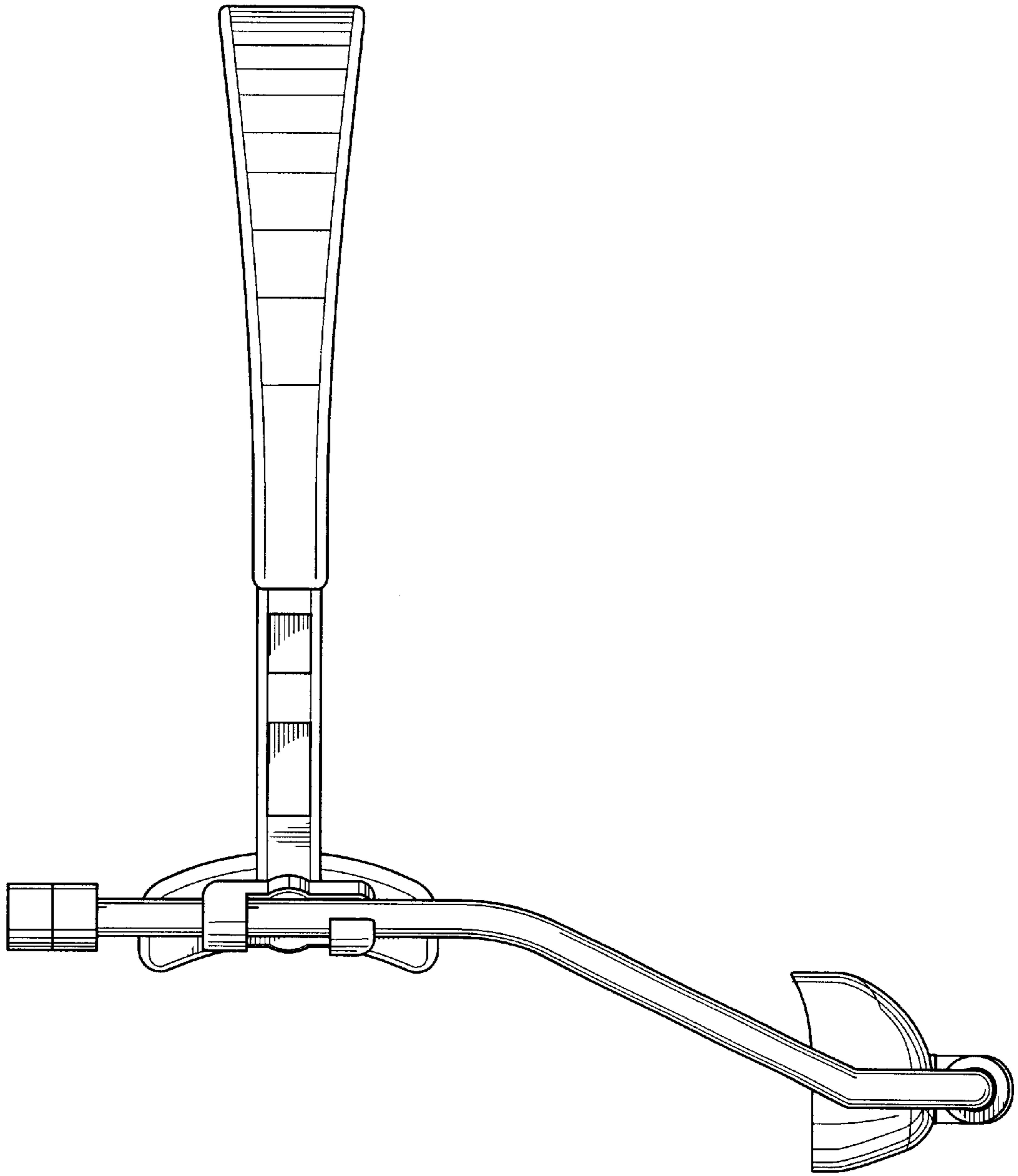


FIG. 6

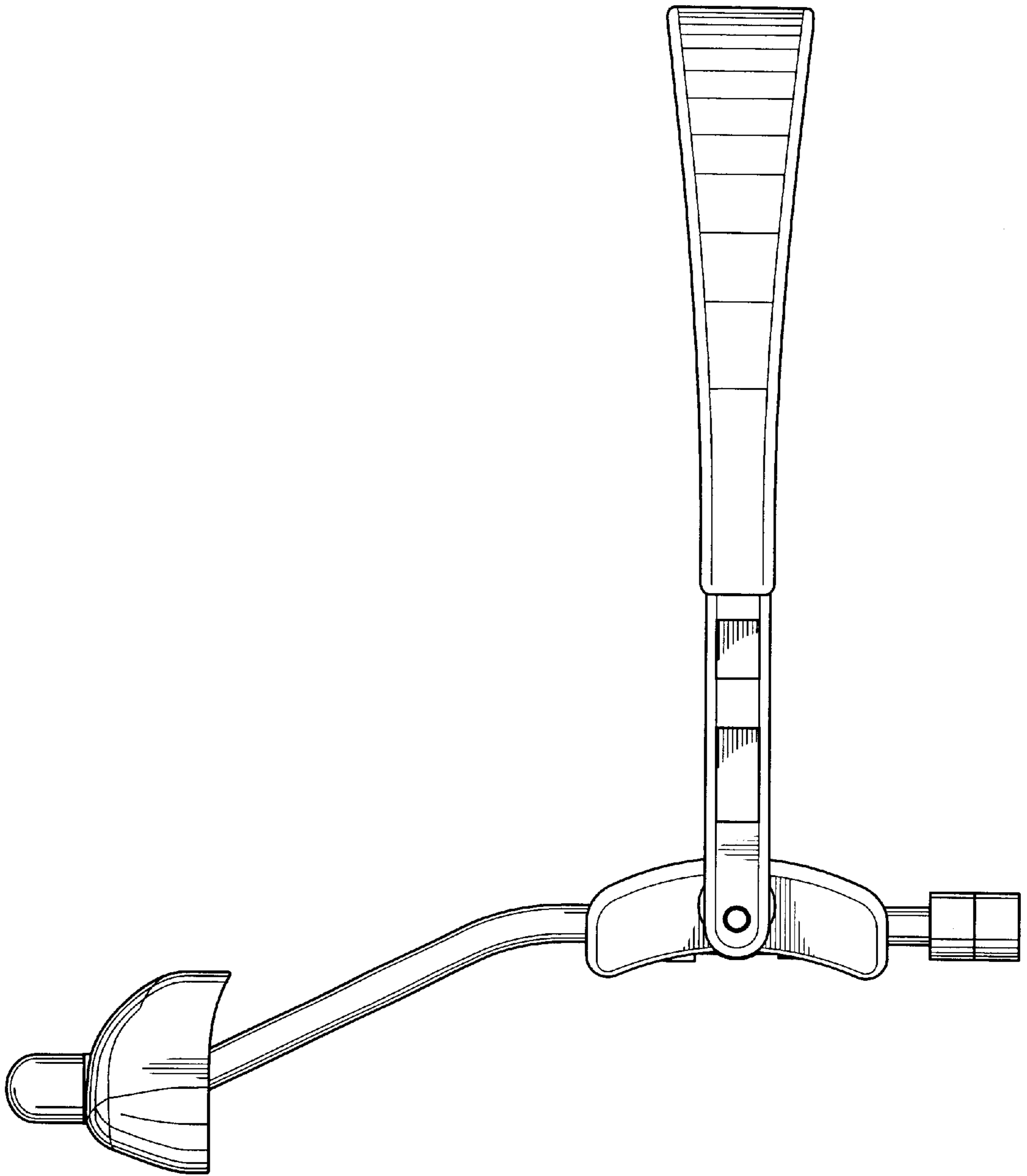


FIG. 7