



US00D449374B1

(12) **United States Design Patent**
Campbell

(10) **Patent No.:** **US D449,374 S**

(45) **Date of Patent:** **** Oct. 16, 2001**

(54) **CEILING FAN BLADE IRON**

(75) Inventor: **Glennbruce S. Campbell**, Memphis, TN (US)

(73) Assignee: **Hunter Fan Company**, Memphis, TN (US)

(**) Term: **14 Years**

(21) Appl. No.: **29/135,898**

(22) Filed: **Jan. 22, 2001**

(51) **LOC (7) Cl.** **23-04**

(52) **U.S. Cl.** **D23/411**

(58) **Field of Search** D23/377, 379, D23/411, 413; 416/5, 210 R

(56) **References Cited**

U.S. PATENT DOCUMENTS

D. 382,955 * 8/1997 Liu D23/411

* cited by examiner

Primary Examiner—Lisa Lichtenstein

(74) *Attorney, Agent, or Firm*—Baker, Donelson, Bearman & Caldwell

(57) **CLAIM**

The ornamental design for a ceiling fan blade iron, as shown and described.

DESCRIPTION

FIG. 1 is a perspective view of the ceiling fan blade iron showing my new design.

FIG. 2 is an enlarged perspective view thereof.

FIG. 3 is an enlarged front view thereof.

FIG. 4 is an enlarged right side view thereof.

FIG. 5 is an enlarged rear view thereof.

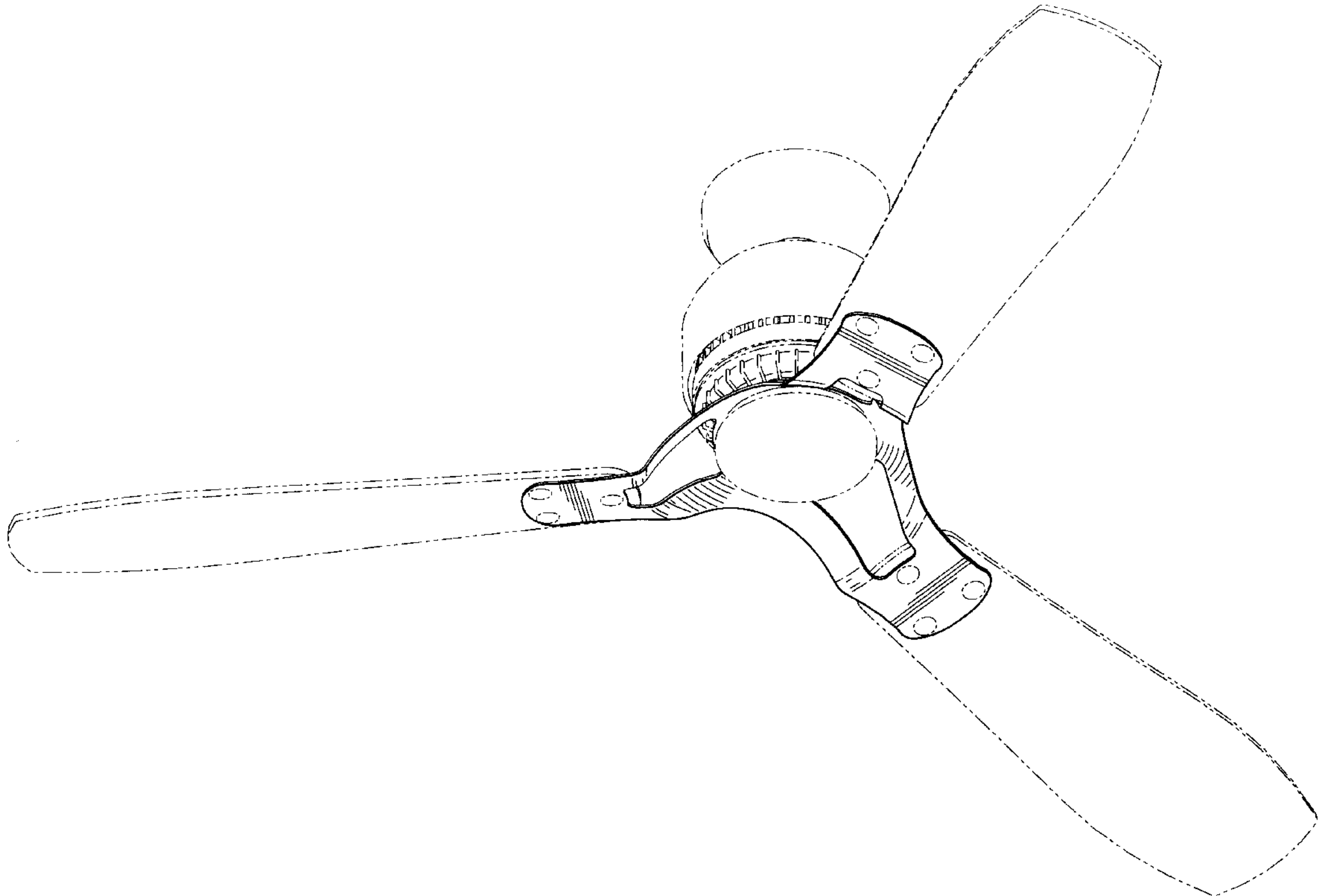
FIG. 6 is an enlarged left view thereof.

FIG. 7 is an enlarged bottom view thereof; and,

FIG. 8 is an enlarged top view thereof.

The broken lines in the views show environmental features which are for illustrative purposes only and form no part of the claimed design.

1 Claim, 6 Drawing Sheets



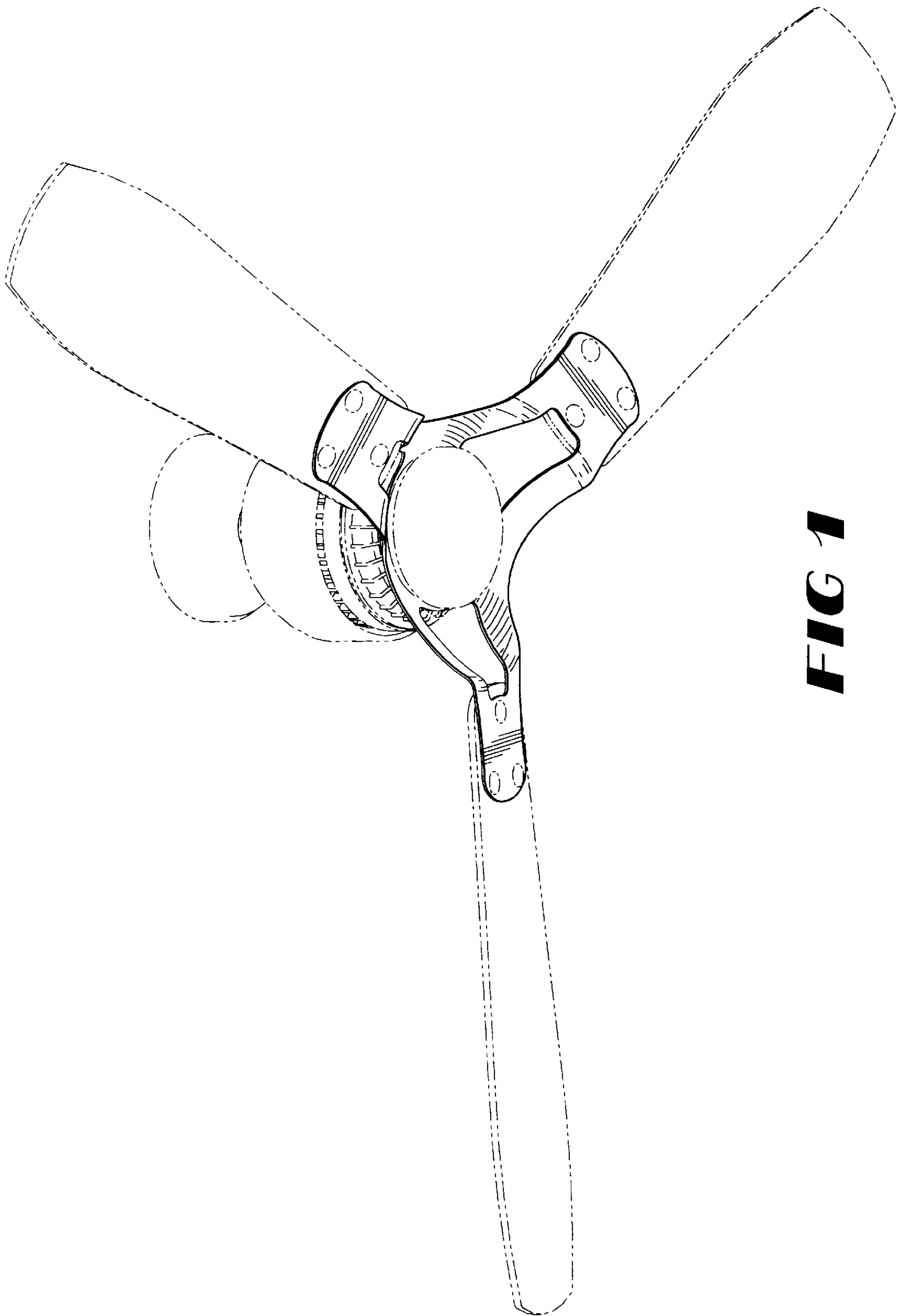


FIG 1

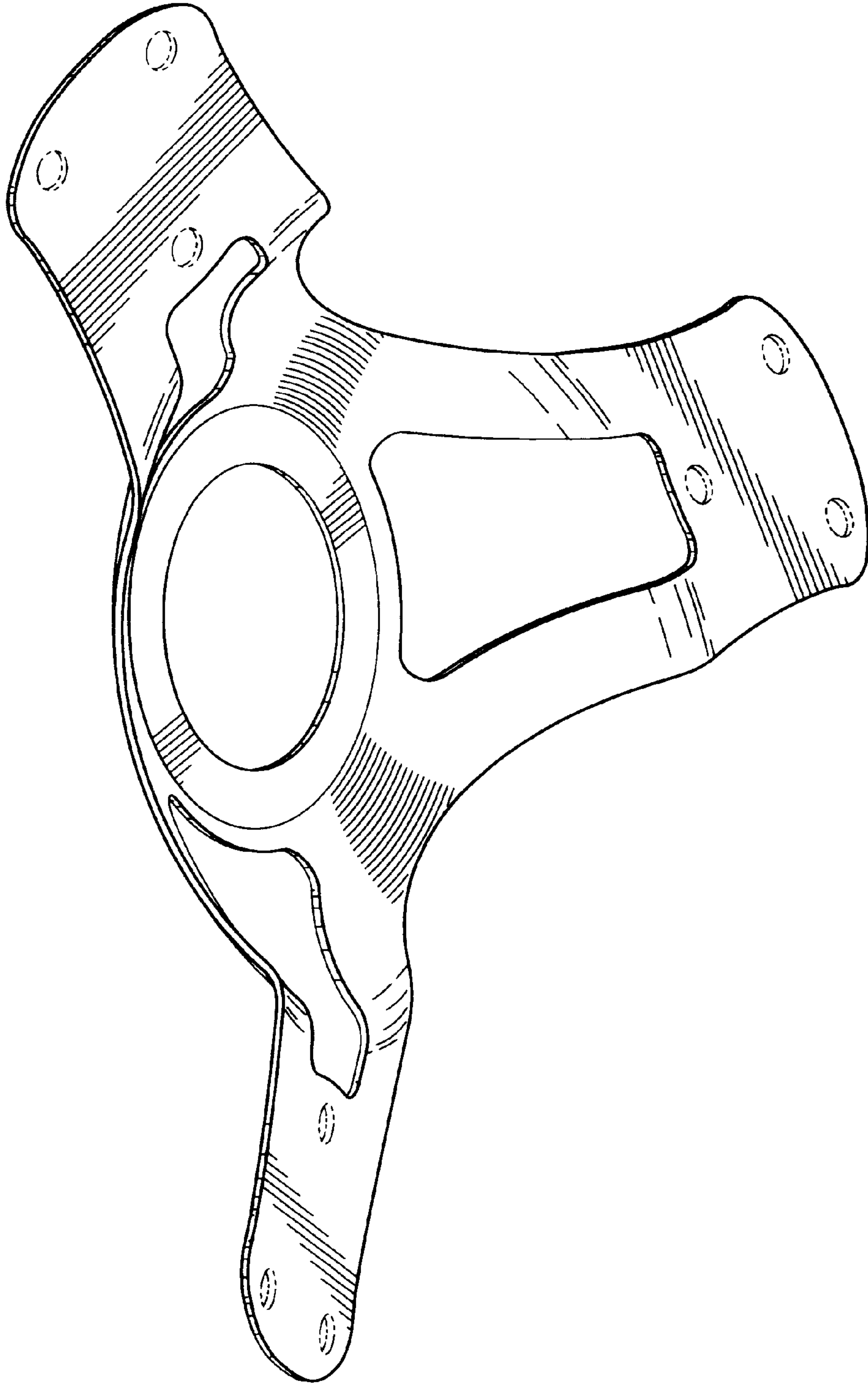


FIG 2

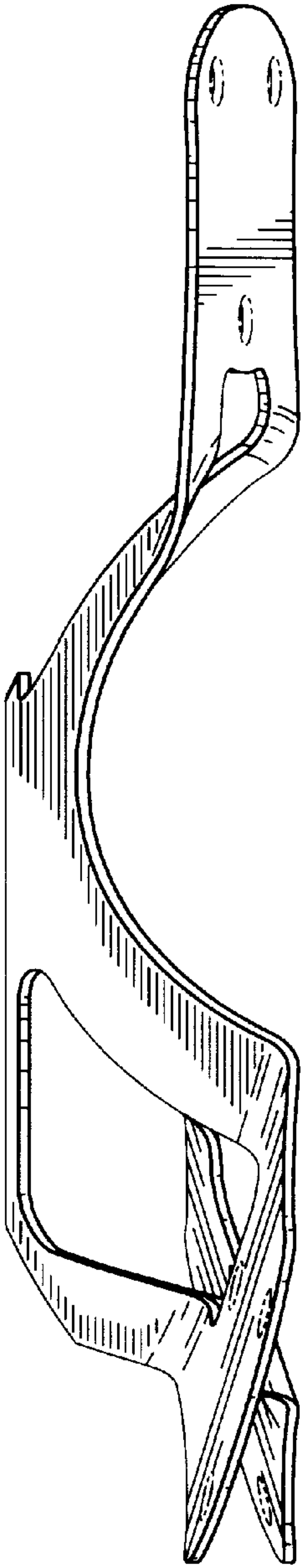


FIG 3

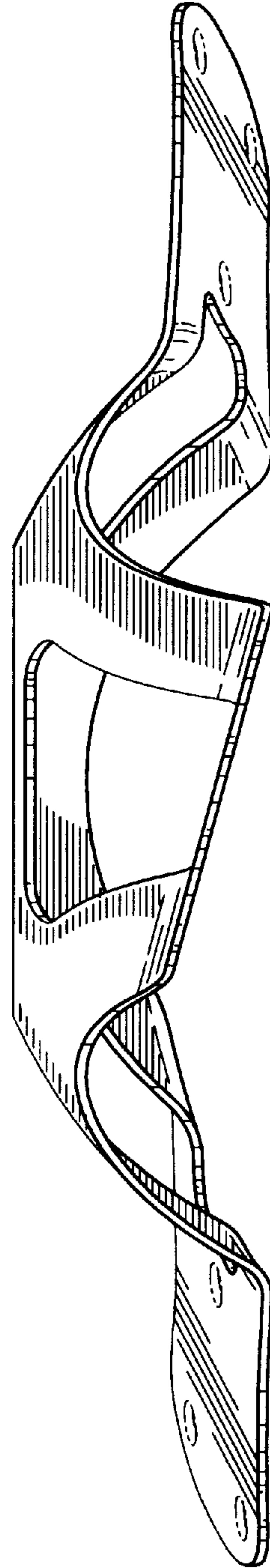


FIG 4

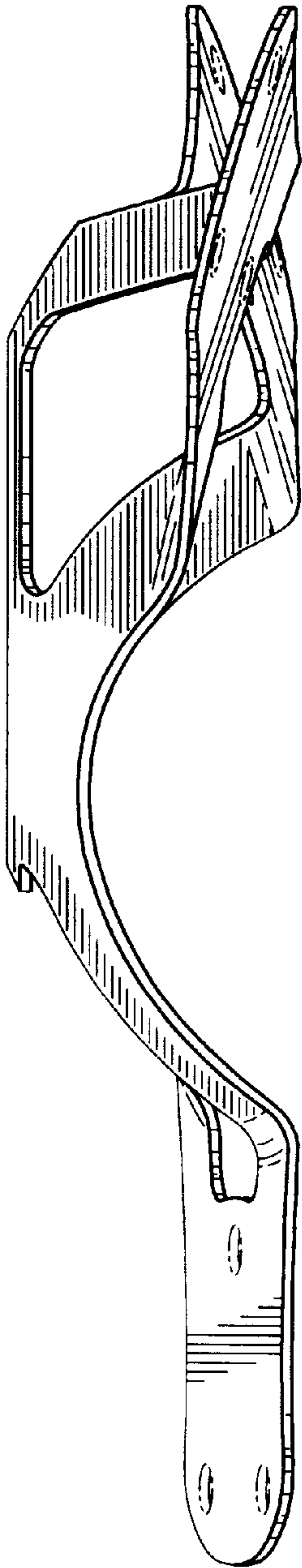


FIG 5

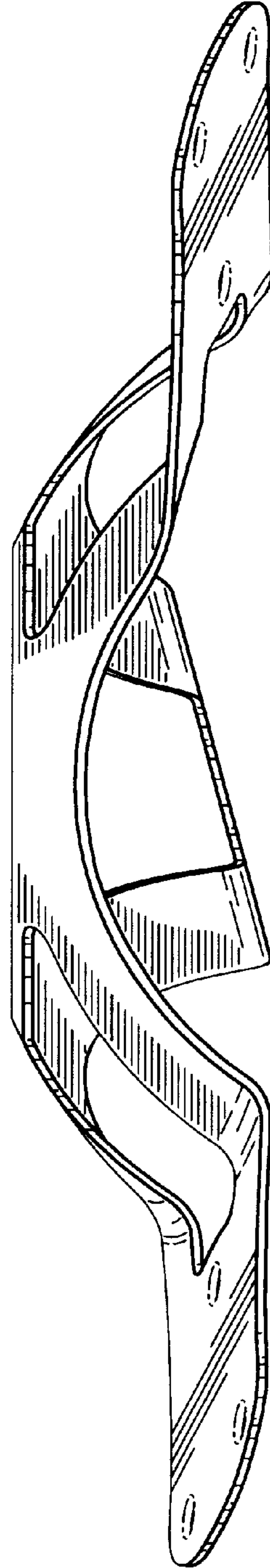


FIG 6

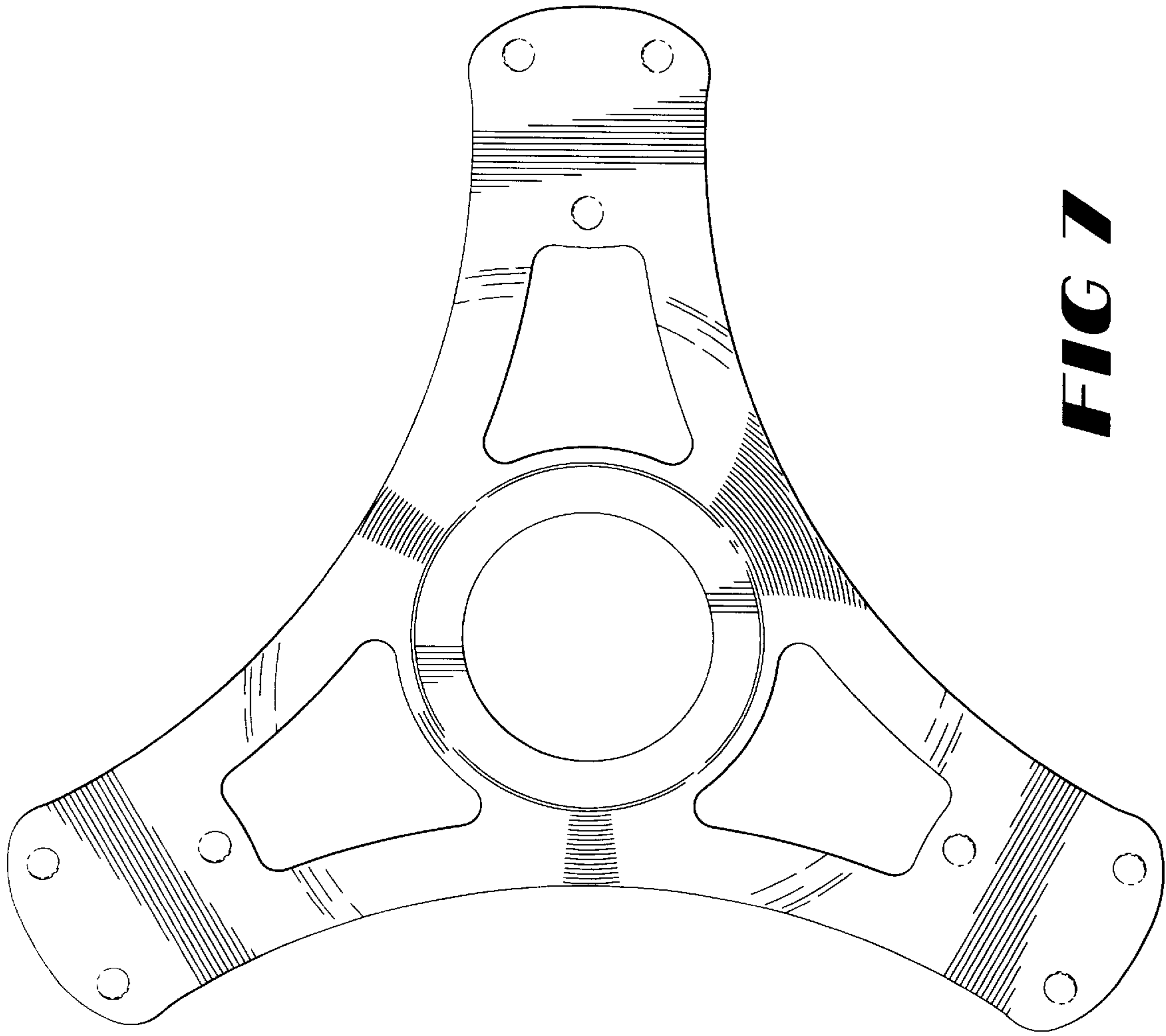


FIG 7

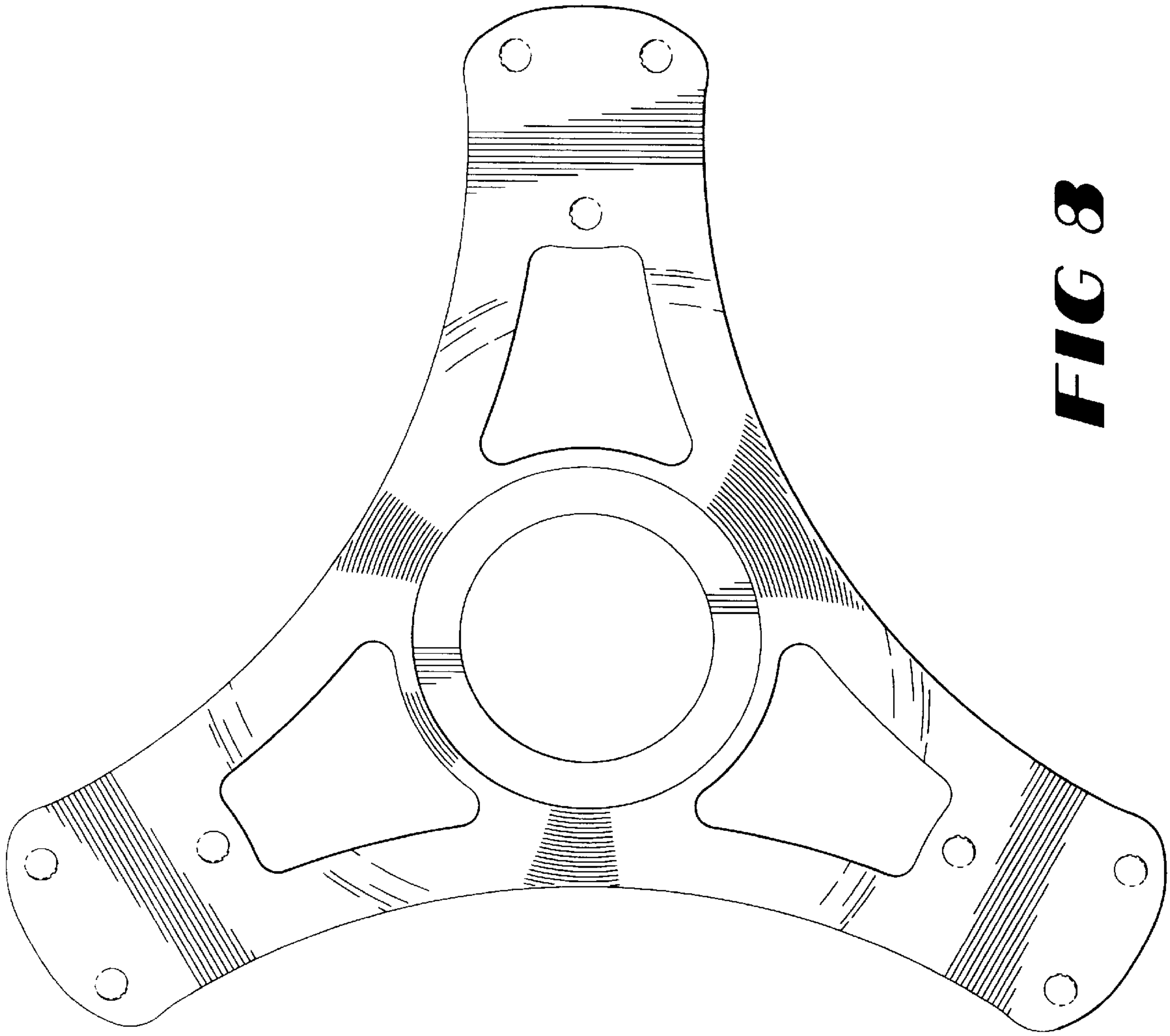


FIG 8