



US00D449373B1

(12) **United States Design Patent**  
**Pinchuk**

(10) **Patent No.:** **US D449,373 S**

(45) **Date of Patent:** **\*\* Oct. 16, 2001**

(54) **DESKTOP FAN**

(75) **Inventor:** **Rene C. Pinchuk**, Kensington, CA (US)

(73) **Assignee:** **Sharper Image Corporation**, San Francisco, CA (US)

(\*\*) **Term:** **14 Years**

(21) **Appl. No.:** **29/140,317**

(22) **Filed:** **Apr. 16, 2001**

(51) **LOC (7) Cl.** ..... **23-04**

(52) **U.S. Cl.** ..... **D23/382**

(58) **Field of Search** ..... D23/382, 381, D23/370, 332; 416/246, 142; 248/371

(56) **References Cited**

**U.S. PATENT DOCUMENTS**

D. 304,368	*	10/1989	Suzuki	.....	D23/382
D. 349,570	*	8/1994	Radtke, Jr.	.....	D23/382
D. 353,660	*	12/1994	Cunning	.....	D23/382
D. 387,153	*	12/1997	Fok	.....	D23/382
4,341,151	*	7/1982	Sakamoto	.....	D23/382

**OTHER PUBLICATIONS**

Sharper Image Spa Summer 1996 Catalog, back page of catalog.

The Sharper Image April 1997 Catalog, p. 46.

The Sharper Image May 2000 Catalog, p. 10.

\* cited by examiner

*Primary Examiner*—Lisa Lichtenstein

(74) *Attorney, Agent, or Firm*—Fliesler Dubb Meyer & Lovejoy LLP

(57) **CLAIM**

The ornamental design for a desktop fan, as shown.

**DESCRIPTION**

FIG. 1 is a front perspective view of an desktop fan showing my new design;

FIG. 2 is a rear perspective view thereof;

FIG. 3 is a side view thereof;

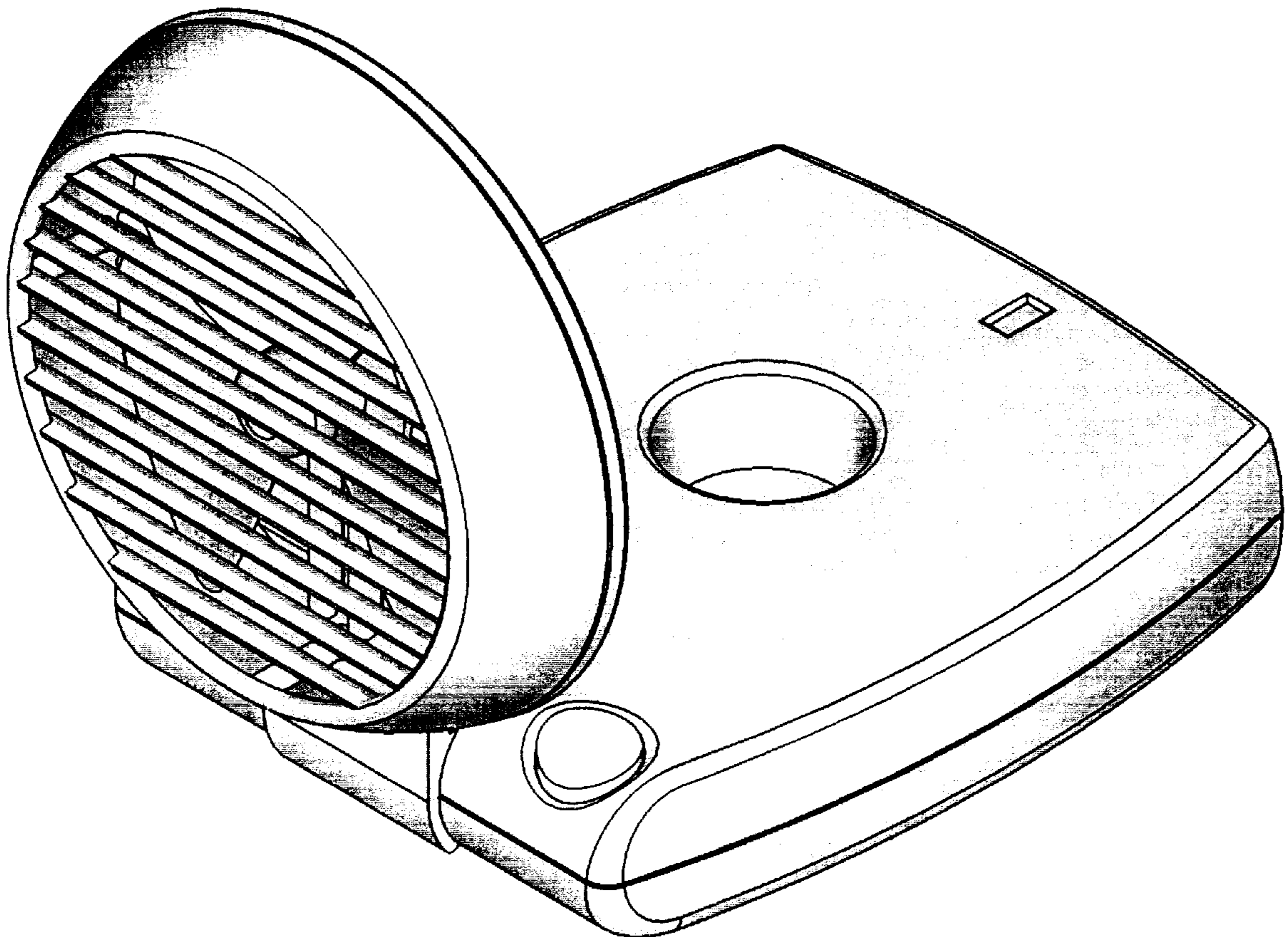
FIG. 4 is a side view of the other side thereof;

FIG. 5 is a front view thereof;

FIG. 6 is a rear view thereof; and,

FIG. 7 is a top plan view thereof.

**1 Claim, 7 Drawing Sheets**



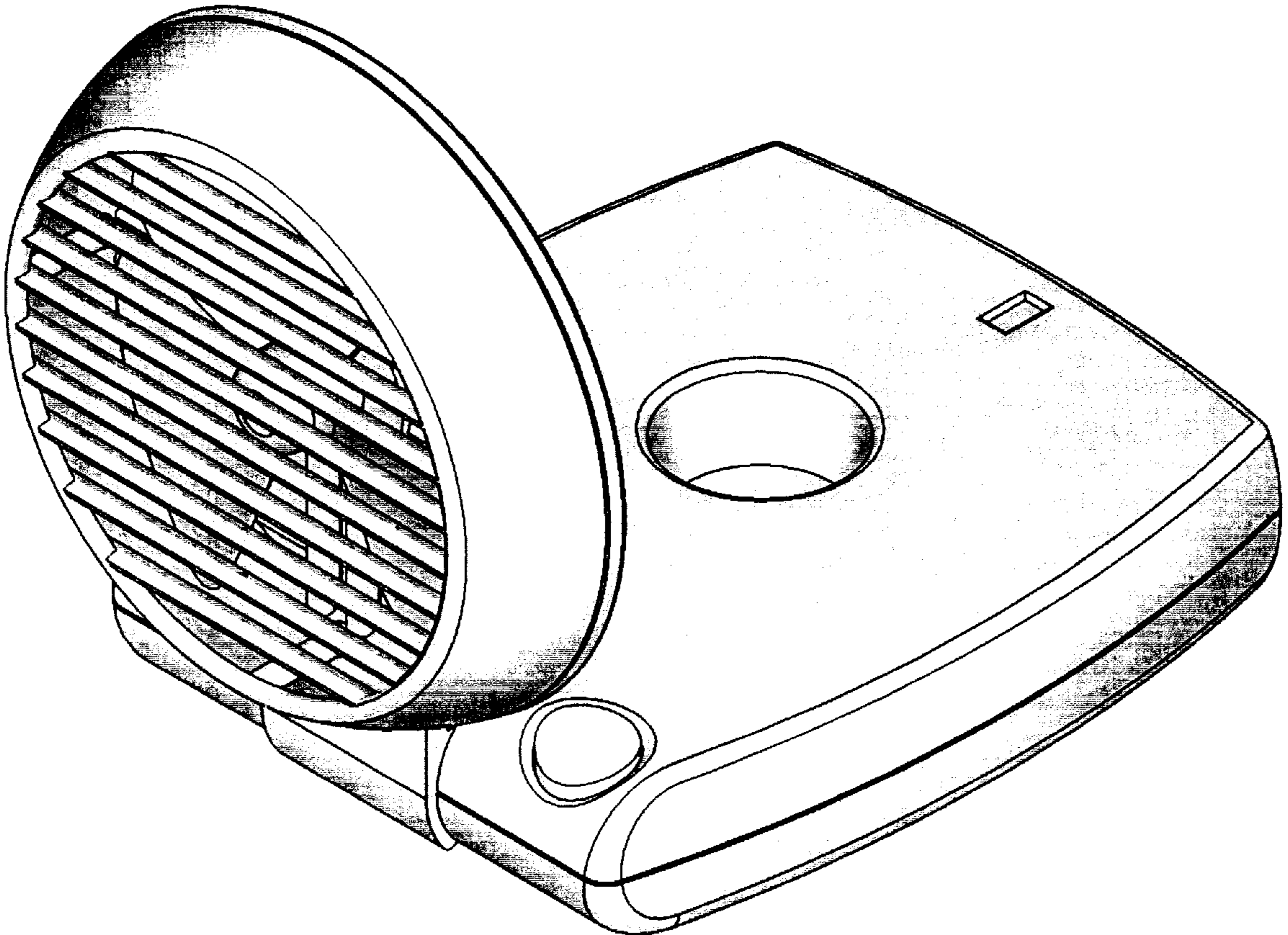


FIG. 1



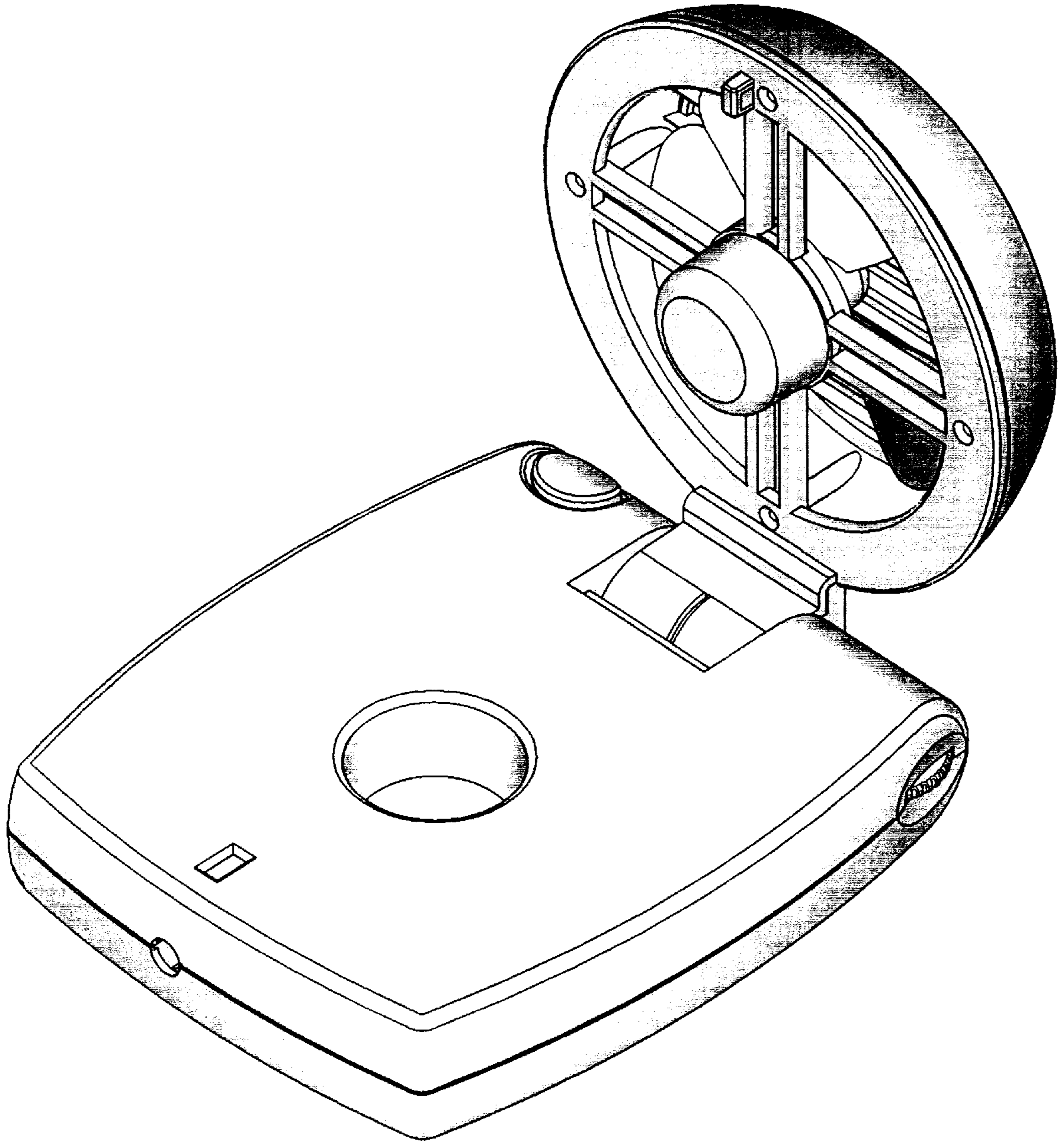


FIG. 2

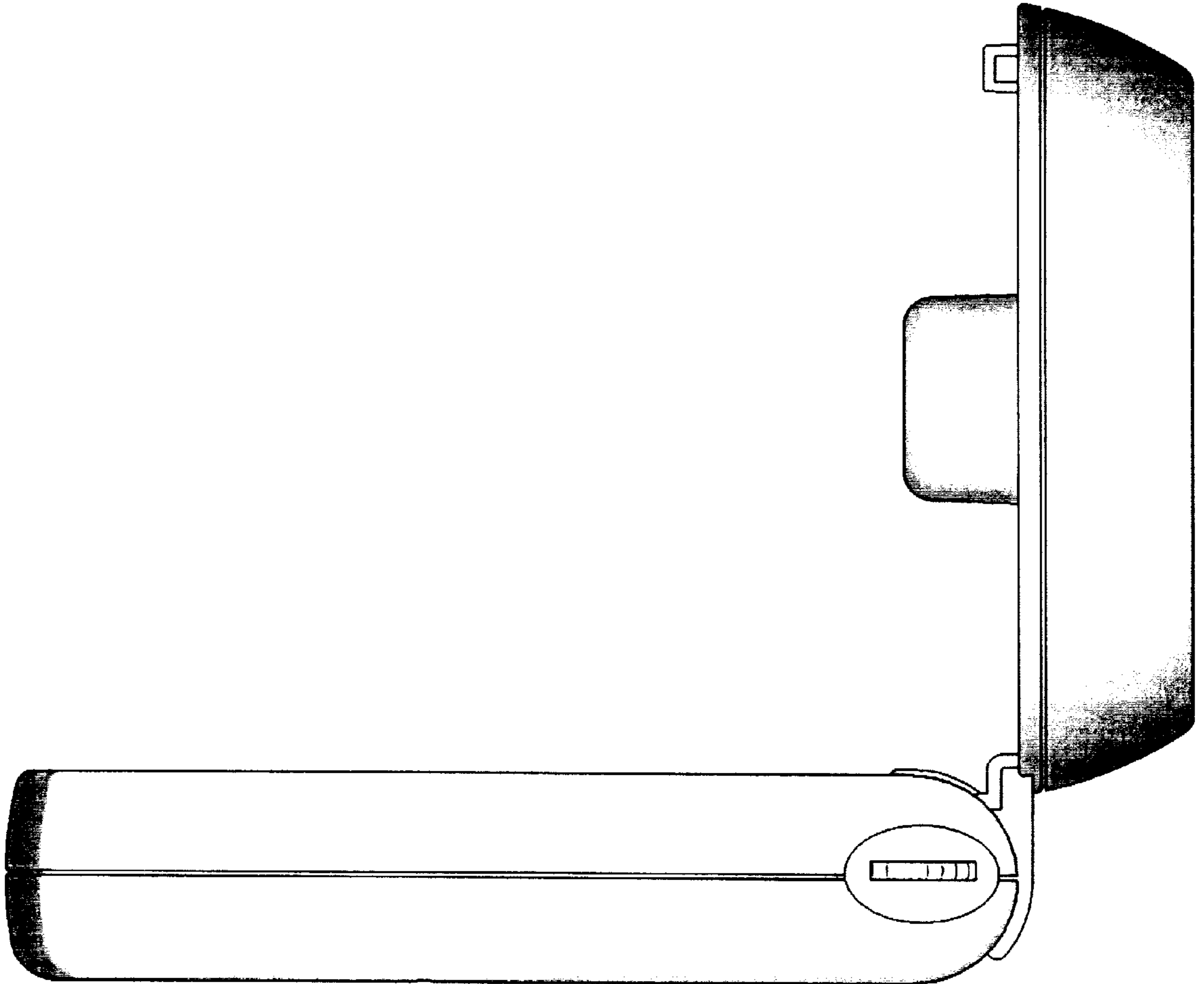


FIG. 3

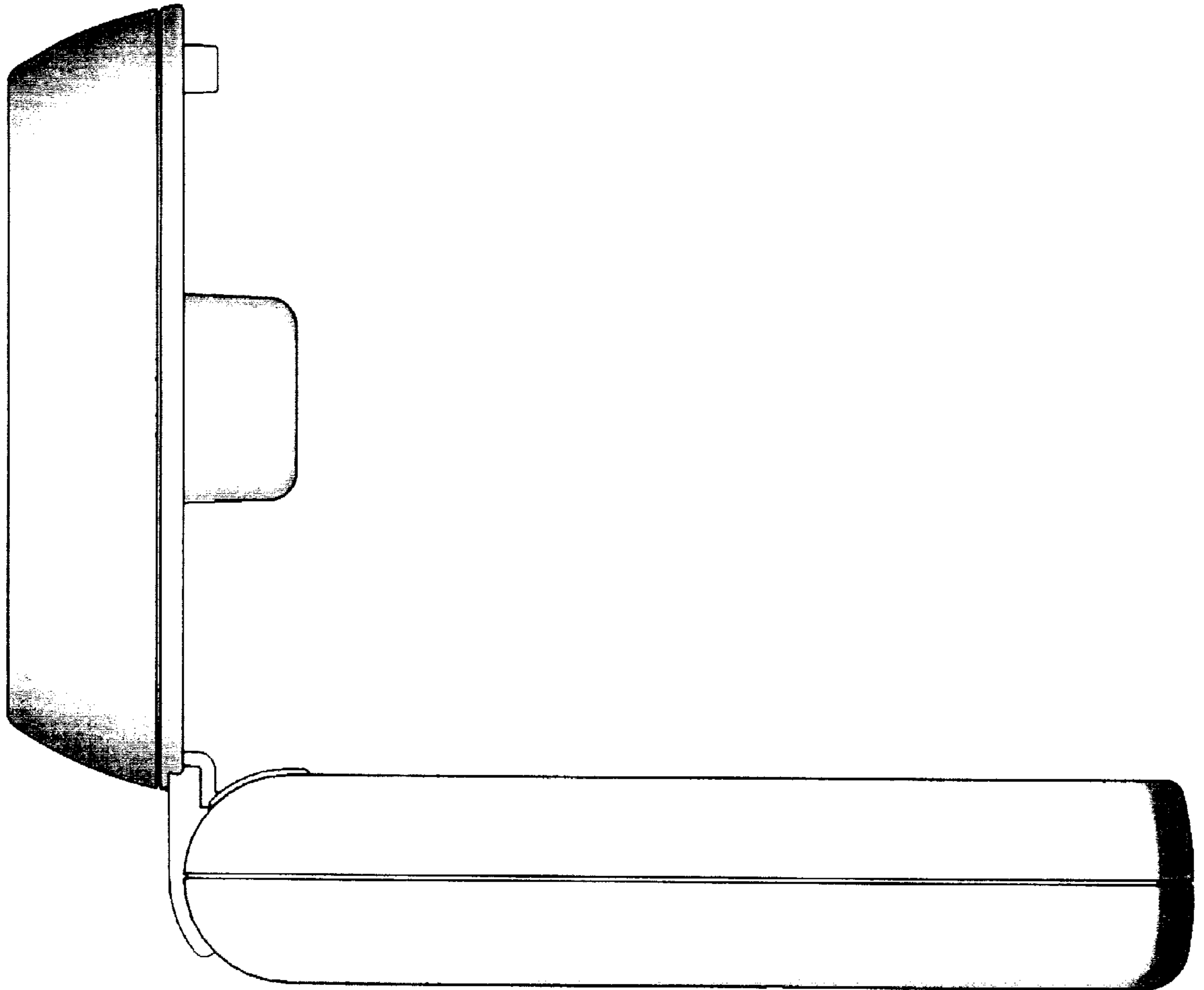


FIG. 4

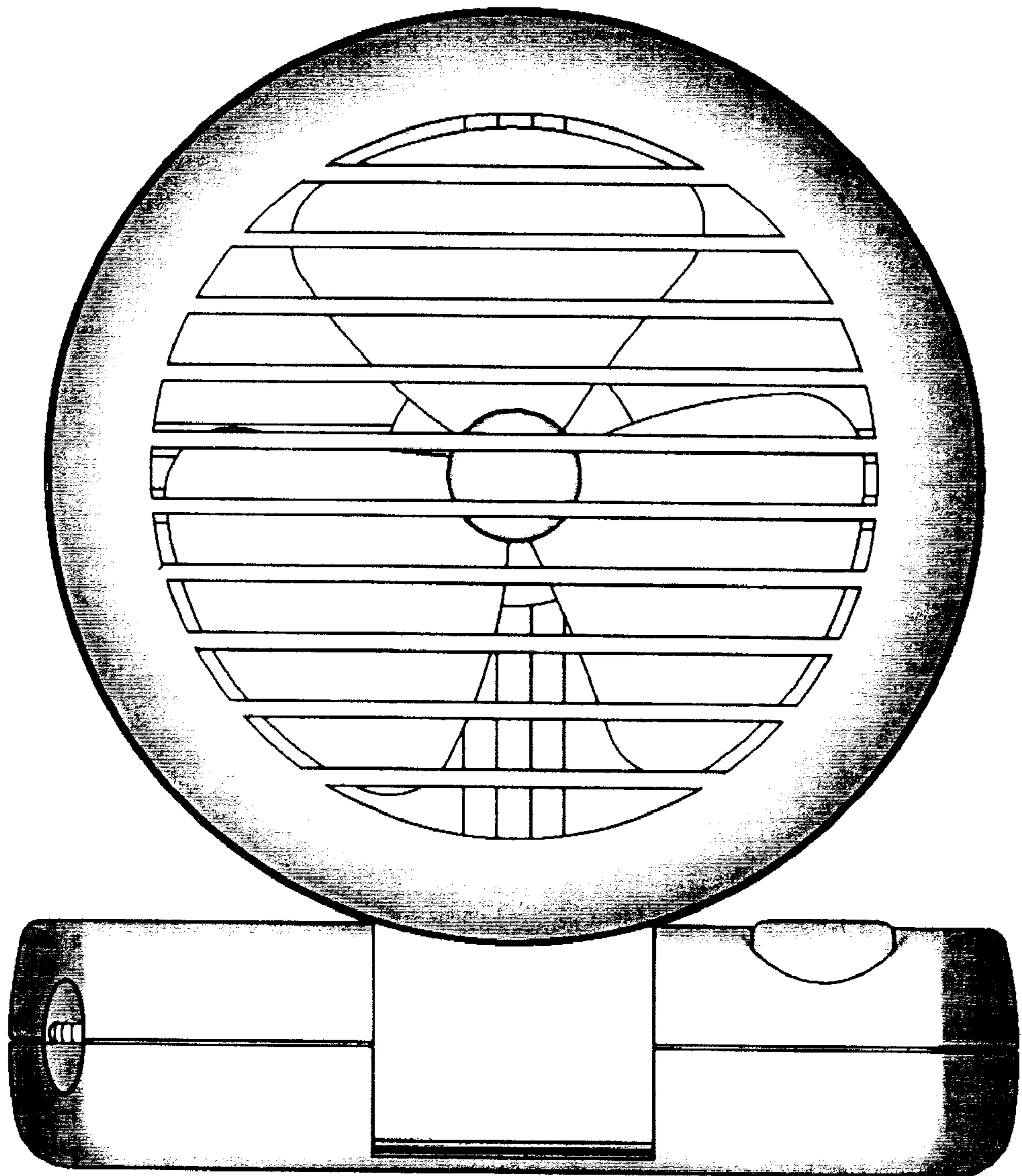


FIG. 5



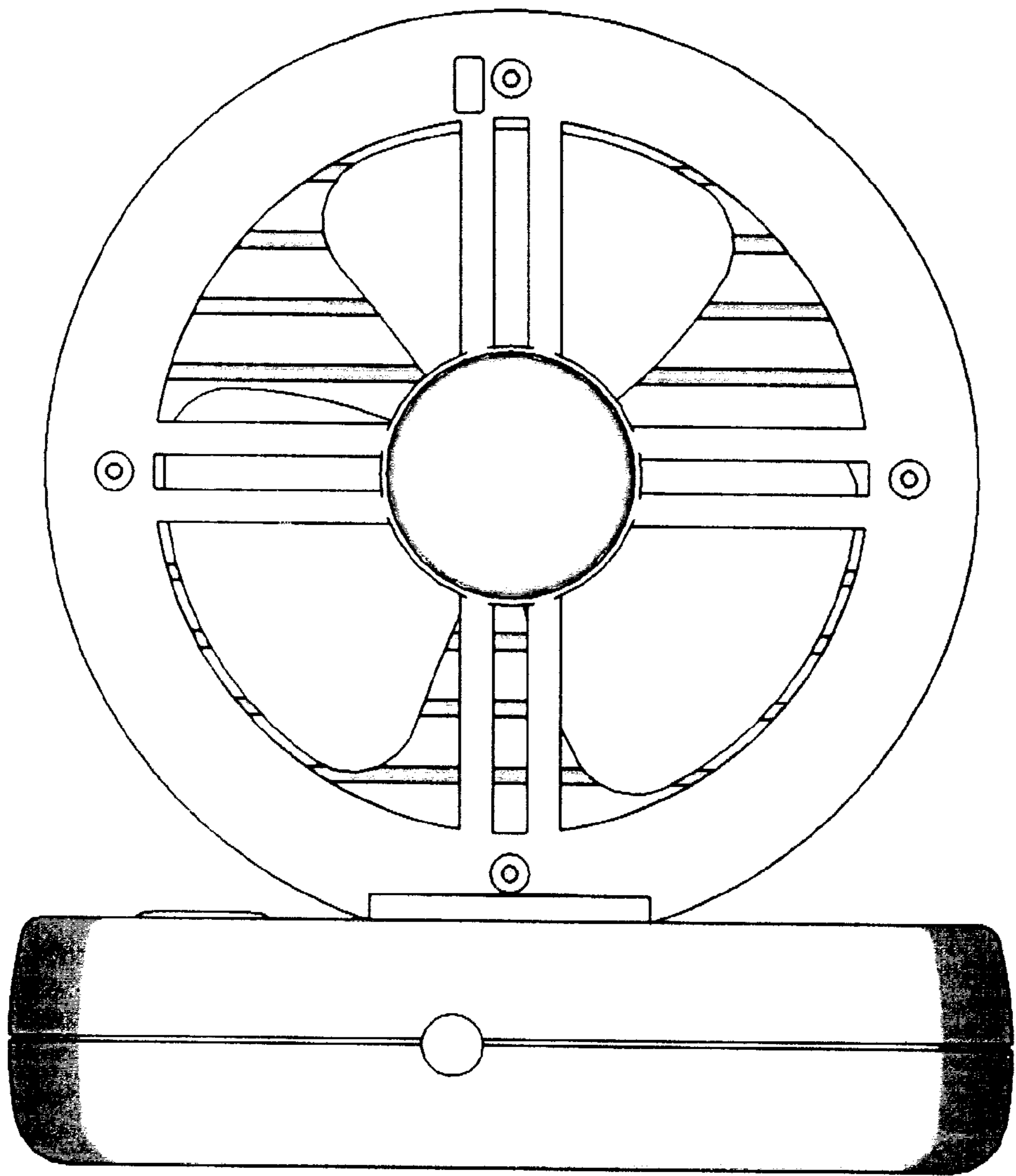


FIG. 6

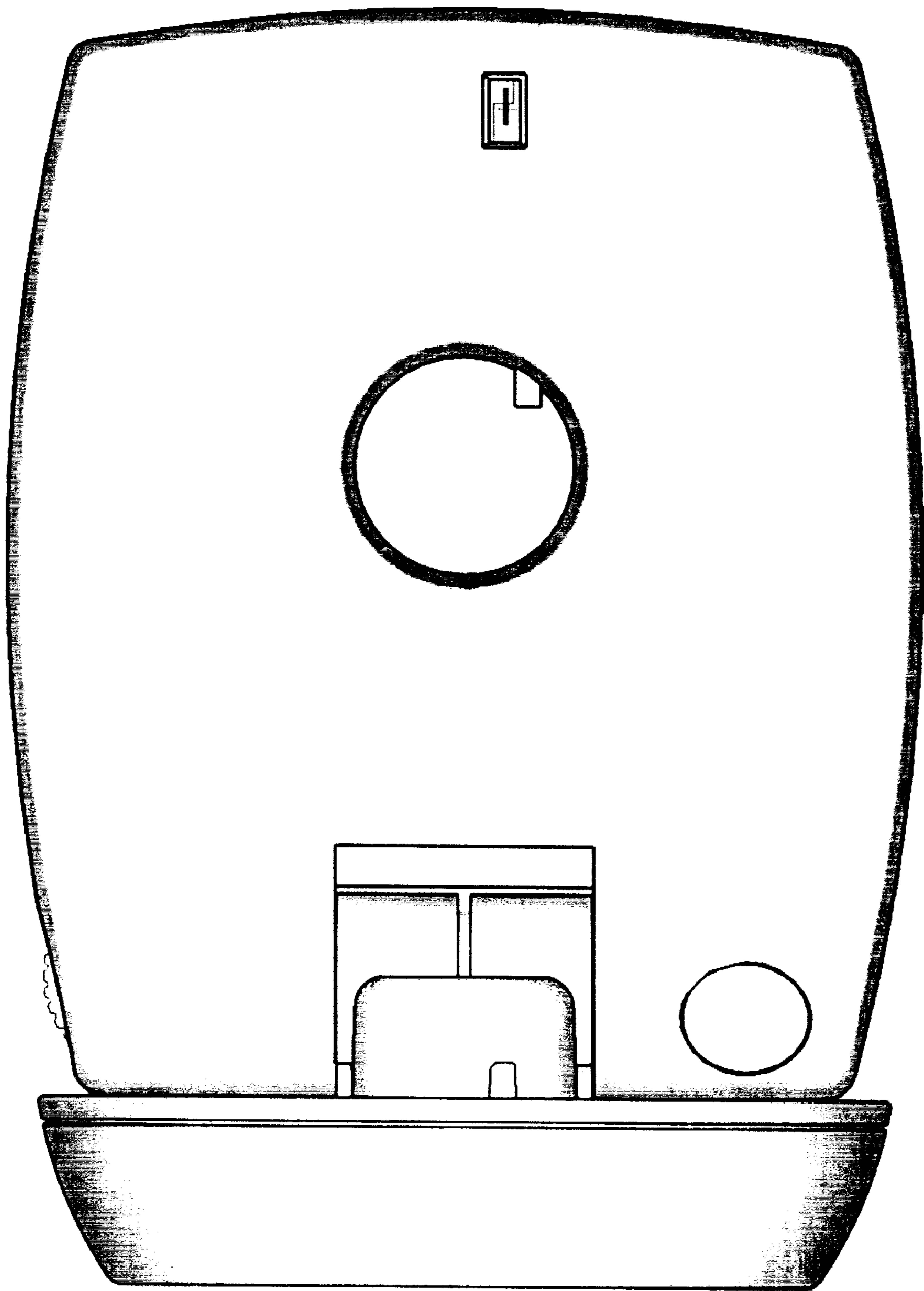


FIG. 7