



US00D449371B1

(12) **United States Design Patent**  
**Bornstein et al.**

(10) **Patent No.:** **US D449,371 S**

(45) **Date of Patent:** **\*\* Oct. 16, 2001**

(54) **FRAGRANCE AND/OR FUNCTIONAL VAPOR DELIVERY DEVICE**

(75) Inventors: **Debra Marla Bornstein**, Cranford;  
**Isabel Christina Lopes**, Livingston;  
**Jerome I. Lindauer**, Hillsdale; **Peter J. Keane**, Bridgewater, all of NJ (US)

(73) Assignee: **International Flavors & Fragrances Inc.**

(\*\*) Term: **14 Years**

(21) Appl. No.: **29/125,814**

(22) Filed: **Jun. 23, 2000**

**Related U.S. Application Data**

(62) Division of application No. 29/093,526, filed on Sep. 10, 1998, now Pat. No. Des. 434,481.

(51) **LOC (7) Cl.** ..... **23-04**

(52) **U.S. Cl.** ..... **D23/360; D23/366**

(58) **Field of Search** ..... **D23/366-369, D23/360; 261/104, 107, DIG. 17; 239/44-51, 515; D26/9**

(56) **References Cited**

**U.S. PATENT DOCUMENTS**

D. 236,234	8/1975	Hansen	.....	D73/1 B
D. 249,180	8/1978	Vanbragt	.....	48/2
D. 249,384	9/1978	Vanbragt	.....	48/2
D. 350,406 *	9/1994	Gereau	.....	D26/9
D. 370,283 *	5/1996	Simon	.....	D26/9
4,555,231	11/1985	Kustka	.....	431/238

\* cited by examiner

*Primary Examiner*—Lisa Lichtenstein

(74) *Attorney, Agent, or Firm*—Joseph F. Leightner

(57) **CLAIM**

The ornamental design for fragrance and/or functional vapor delivery device, as shown and described.

**DESCRIPTION**

FIG. 1 is a perspective view of the fragrance and/or other functional vapor delivery device showing our new design; FIG. 2 is a front elevation view taken along lines 2—2 in FIG. 1; and, FIG. 3 is a top plan view thereof.

**1 Claim, 1 Drawing Sheet**

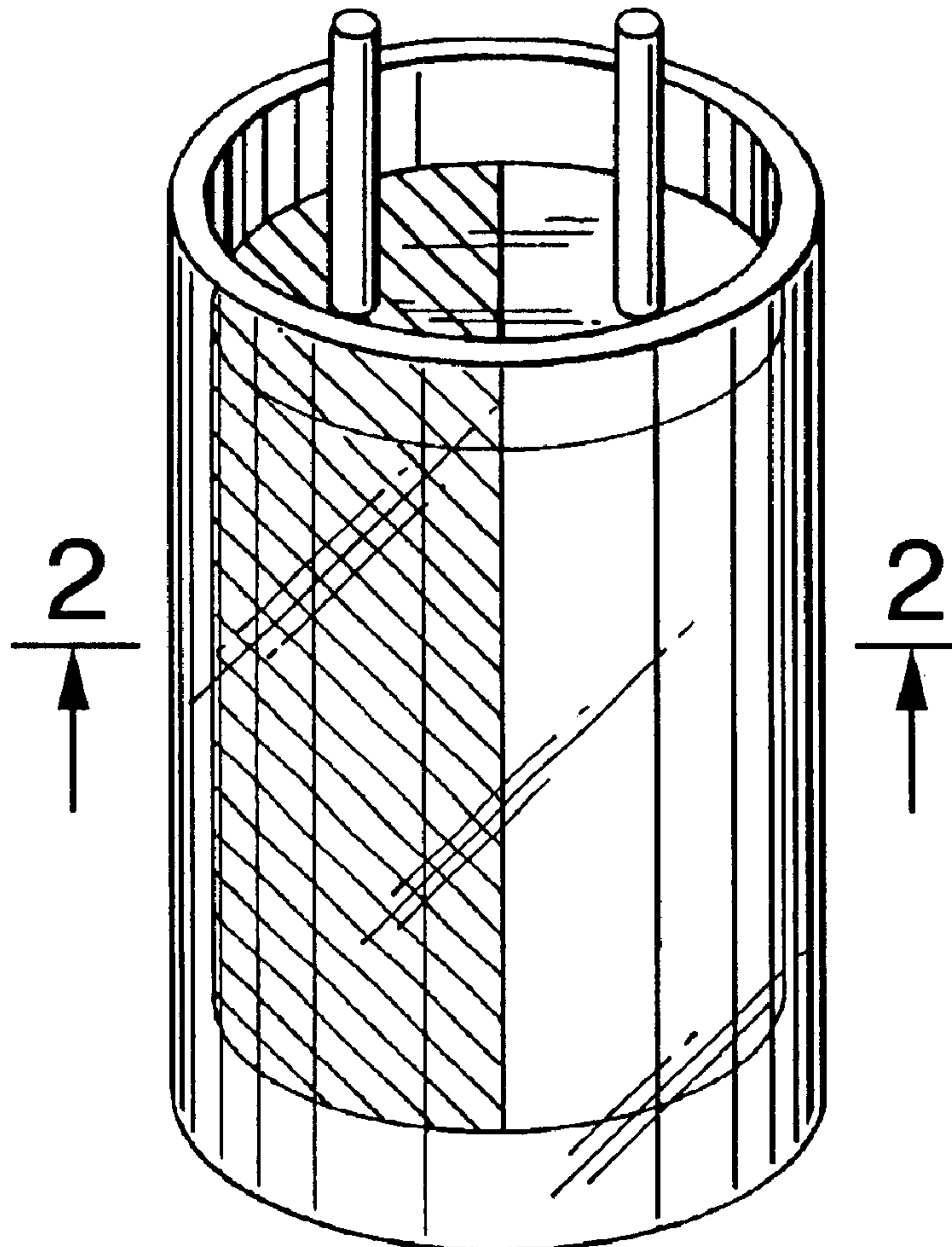


FIG. 1

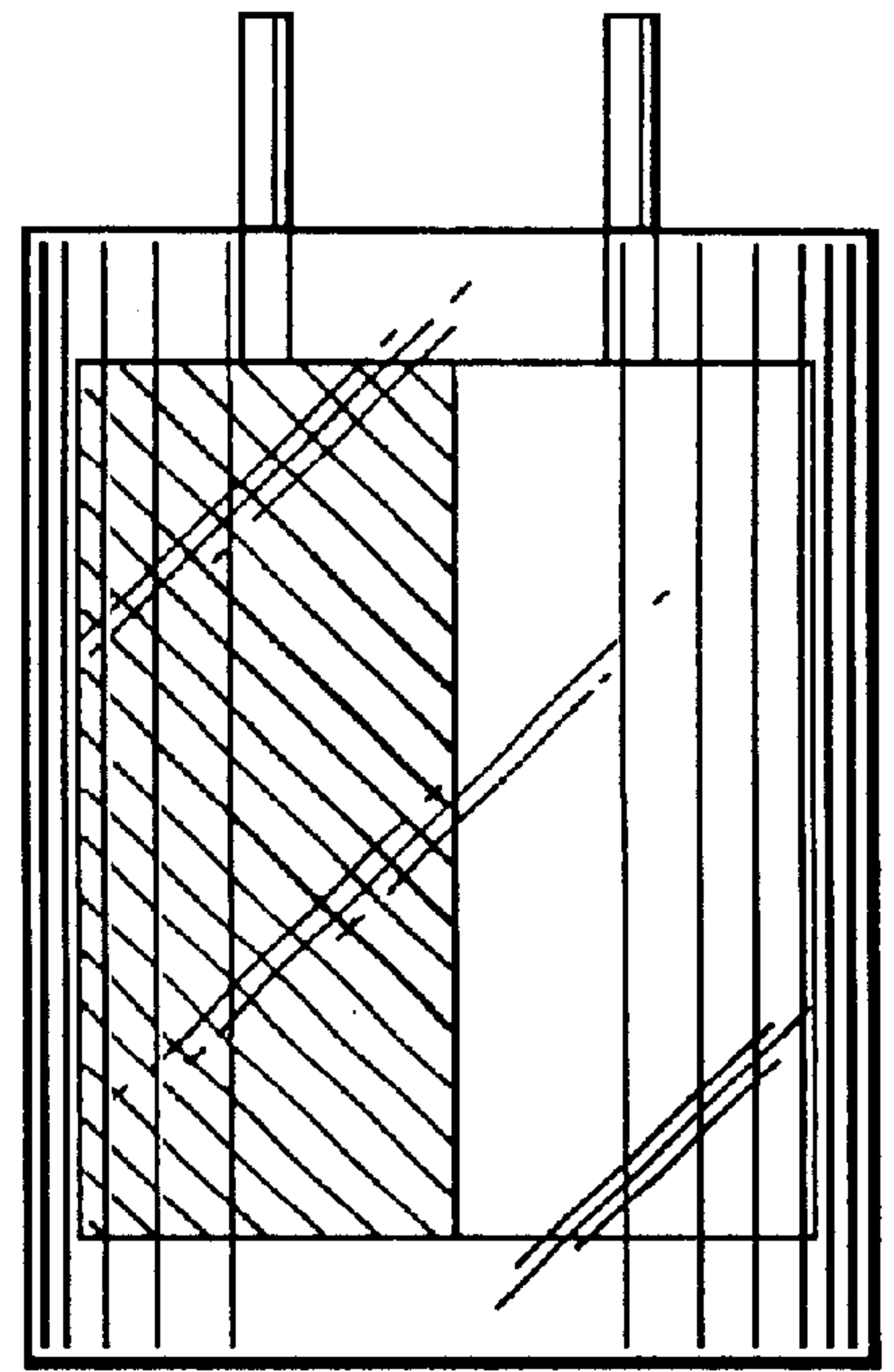
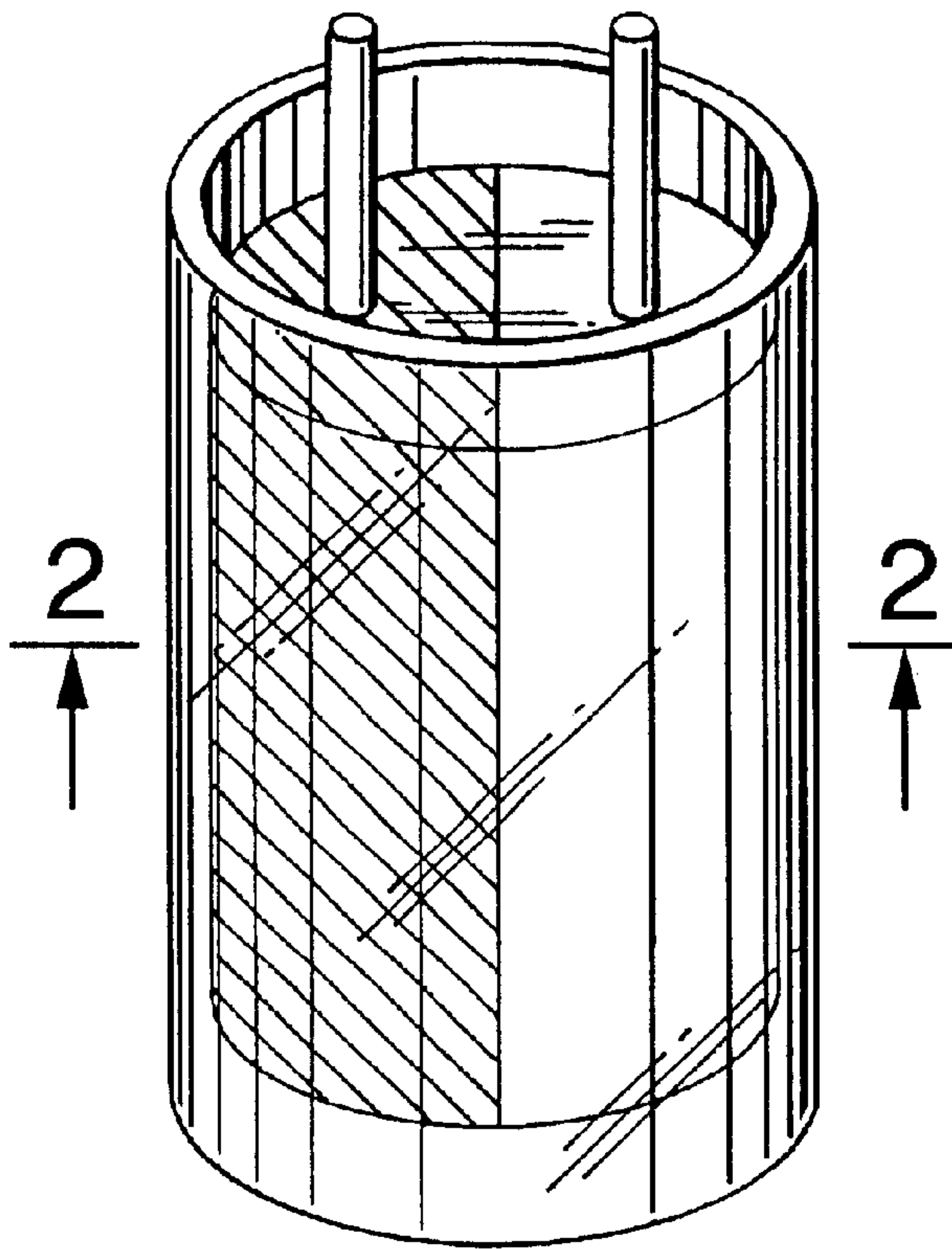


FIG. 2

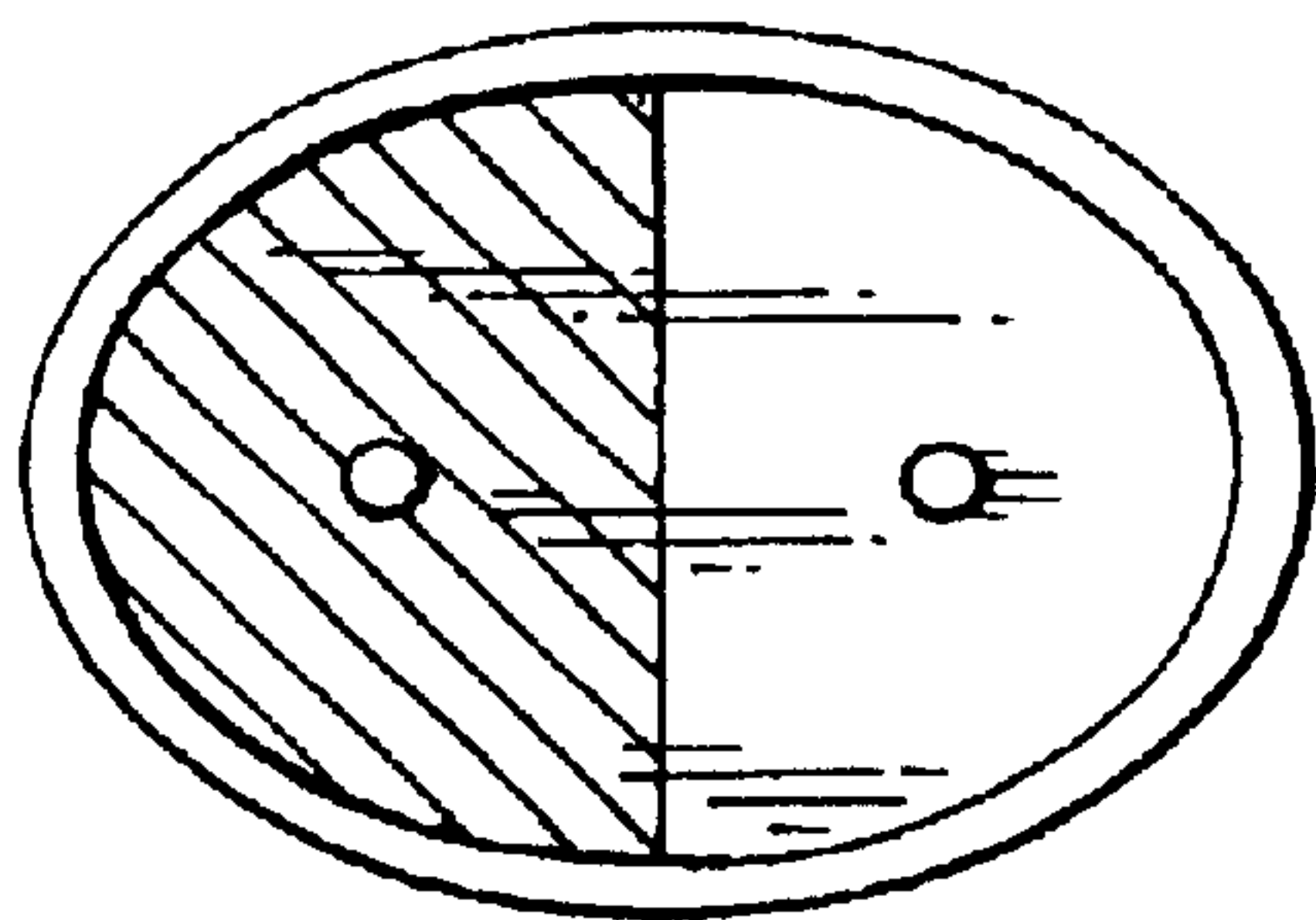


FIG. 3