



US00D449369B1

(12) **United States Design Patent**
Hanzel et al.

(10) **Patent No.:** **US D449,369 S**

(45) **Date of Patent:** **** Oct. 16, 2001**

- (54) **WATER COOLER/CIRCULATOR**
- (75) Inventors: **Daniel J. Hanzel**, Merrillville, IN (US);
Harshad Shah, Mokena; **Robert L. Warning**, Peotone, both of IL (US)
- (73) Assignee: **Illinois Tool Works Inc.**, Glenview, IL (US)
- (**) Term: **14 Years**
- (21) Appl. No.: **29/128,886**
- (22) Filed: **Aug. 31, 2000**
- (51) **LOC (7) Cl.** **23-01**
- (52) **U.S. Cl.** **D23/200**
- (58) **Field of Search** D23/200, 207;
210/295, 296, 195.2

(56) **References Cited**

U.S. PATENT DOCUMENTS

- D. 201,425 * 6/1965 Topel D23/200
- D. 306,339 * 2/1990 Slovak D23/207
- D. 407,726 * 6/1999 Cook D23/200

OTHER PUBLICATIONS

Copy of Bernard Welding Equipment Company brochure entitled "BERNARD Water Coolers" Revision 2.0, published prior to Aug. 31, 2000.

Copy of Miller brochure entitled COOLING SYSTEMS Coolmate™ 3, Coolmate™ 4 and Watermate™ 1A, Index No. AY/7.2, published Jul. 1995.

Copy of ABICOR BINZEL brochure entitled "Water Coolers WK 23 & WK 43", published 1998.

* cited by examiner

Primary Examiner—Robin V. Taylor

(74) *Attorney, Agent, or Firm*—Brinks Hofer Gilson & Lione

(57) **CLAIM**

The ornamental design for a water cooler/circulator, as shown and described.

DESCRIPTION

FIG. 1 is a perspective view of water cooler/circulator showing our new design;
 FIG. 2 is a right side elevational view thereof;
 FIG. 3 is a left side elevational view thereof;
 FIG. 4 is a front elevational view thereof;
 FIG. 5 is rear elevational view thereof;
 FIG. 6 is a top plan view thereof;
 FIG. 7 is a bottom plan view thereof; and,
 FIG. 8 is a perspective view of the water cooler/circulator of FIG. 1 without the broken line showing.
 The broken line showing is for illustrative purposes only and forms no part of the claimed design.

1 Claim, 4 Drawing Sheets

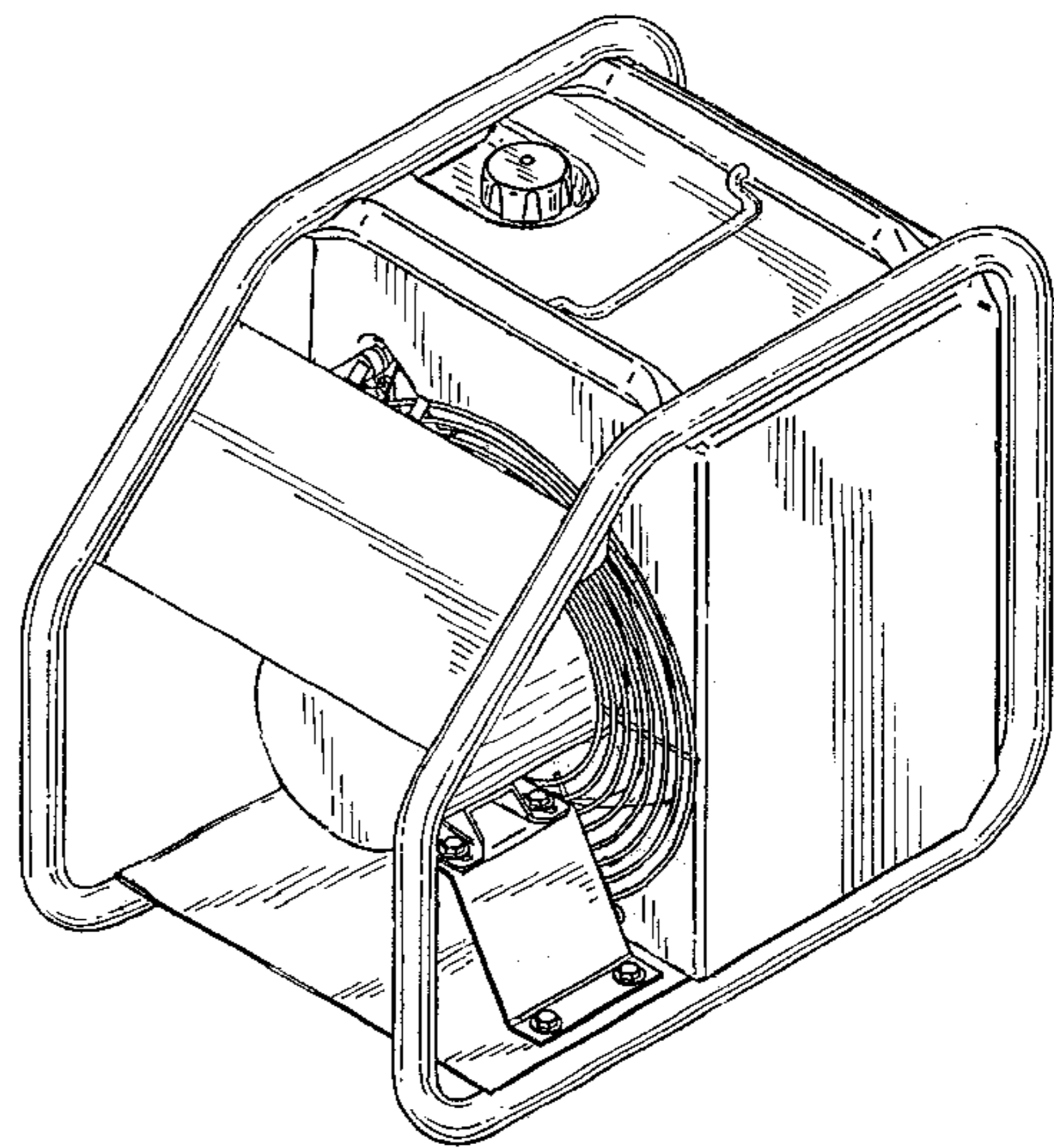
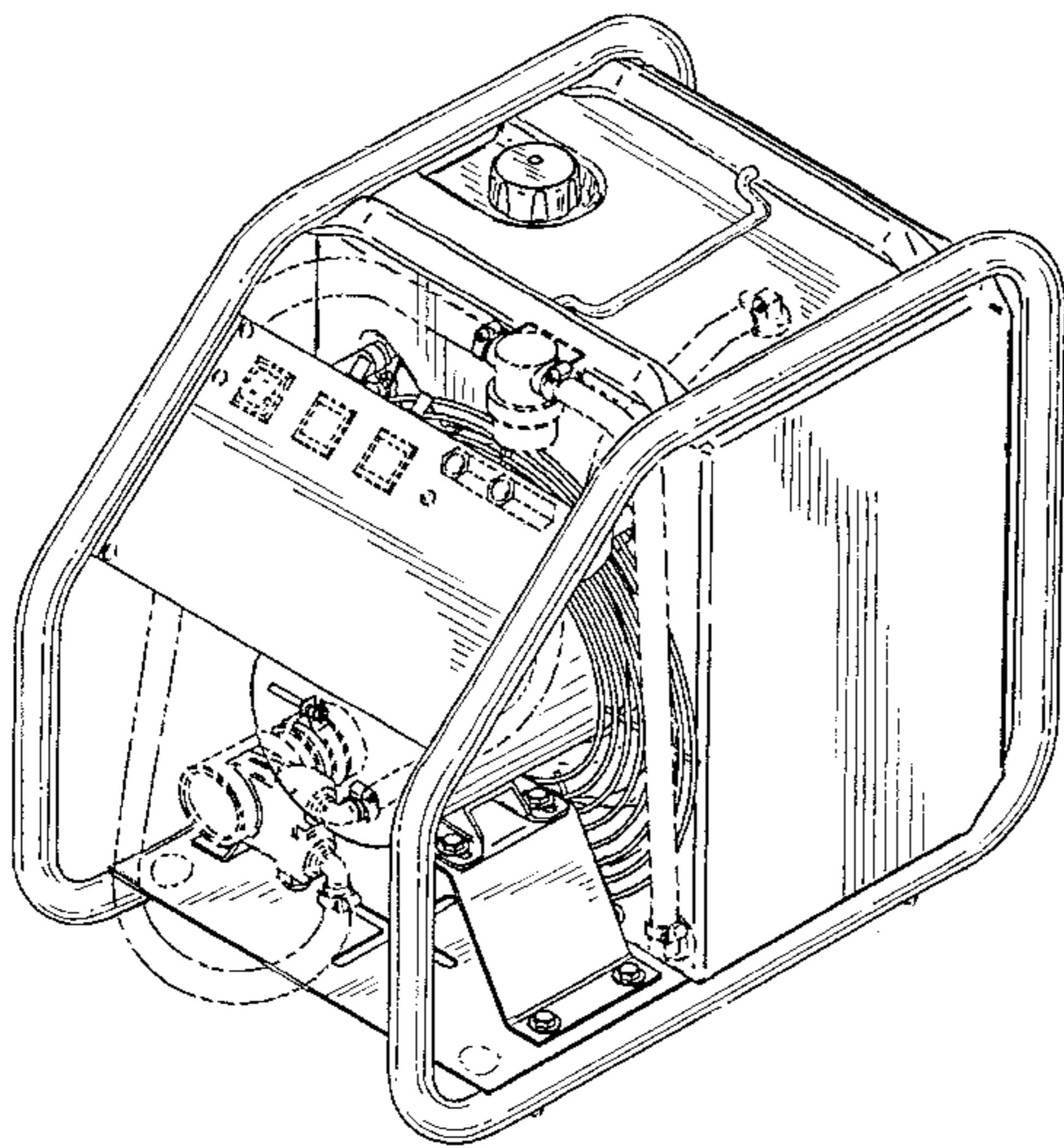


FIG. 1

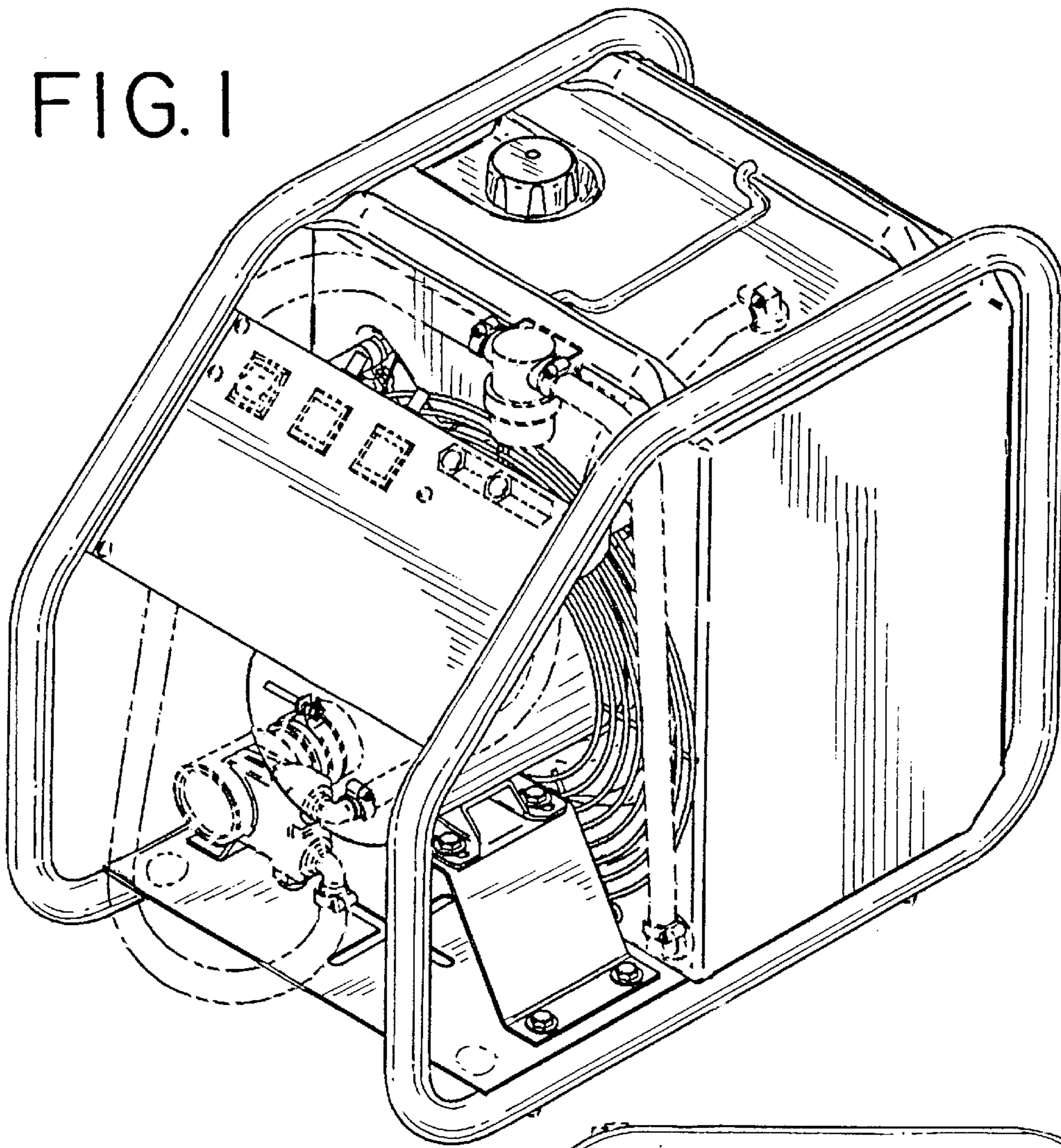


FIG. 2

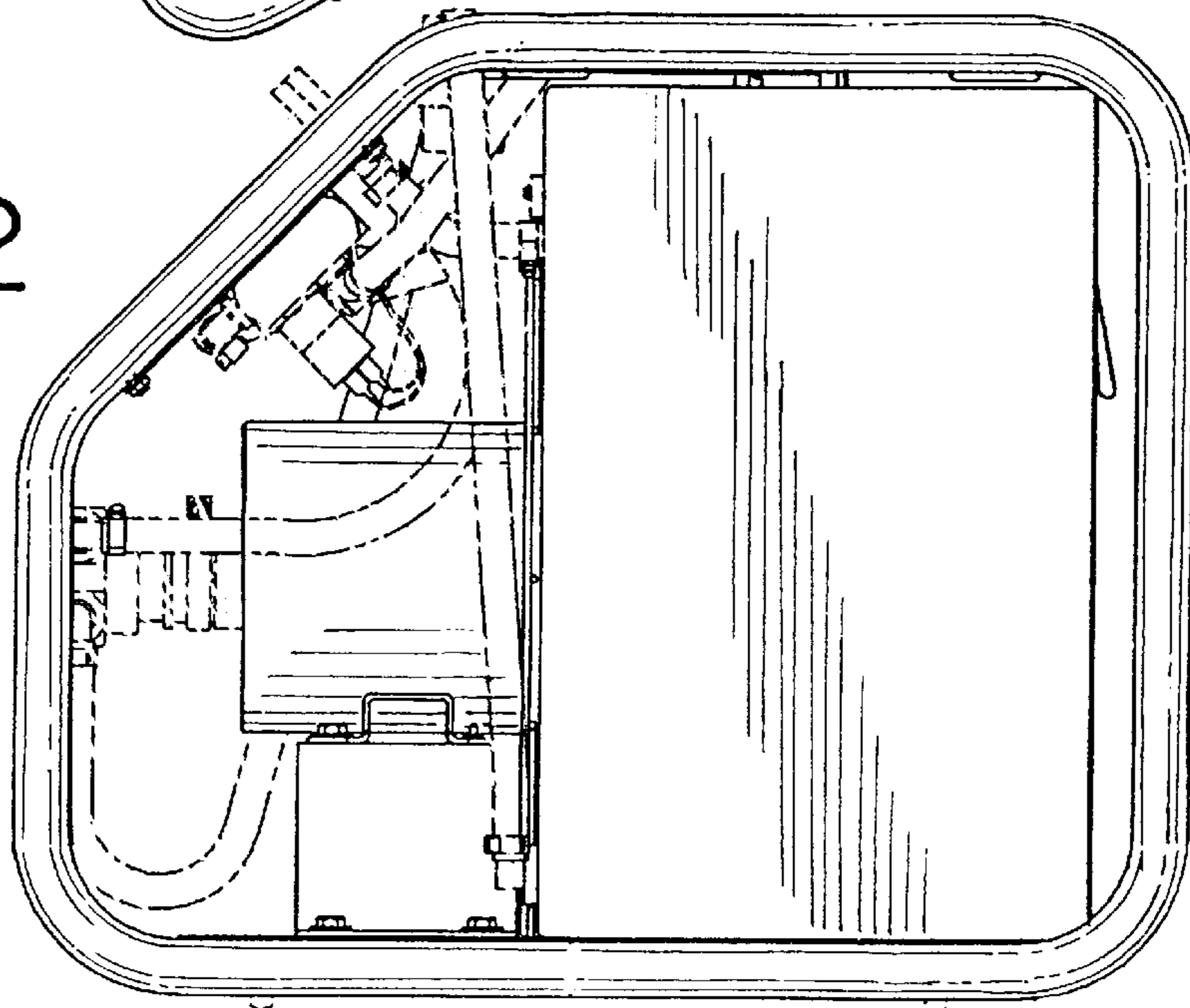


FIG. 3

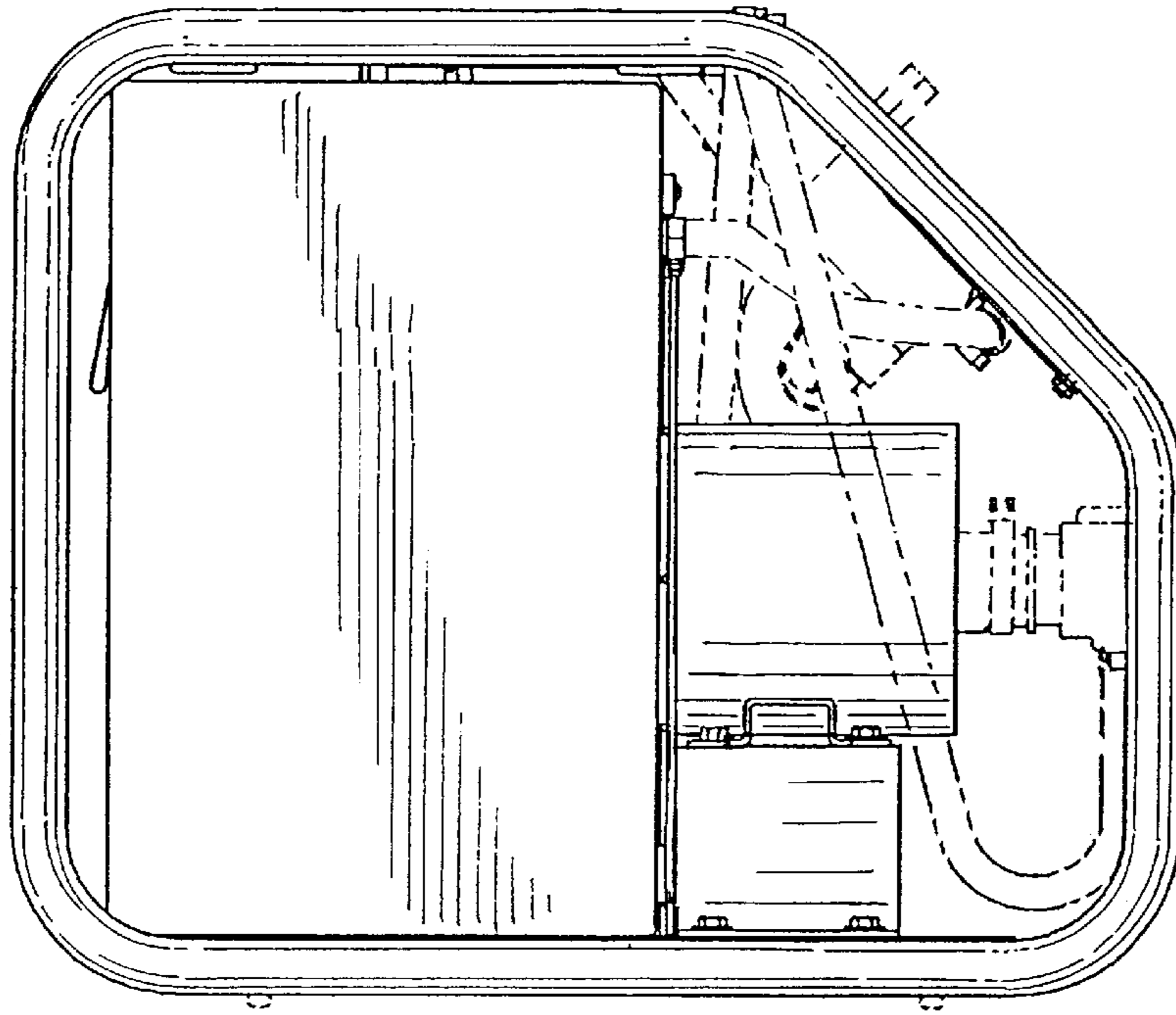


FIG. 4

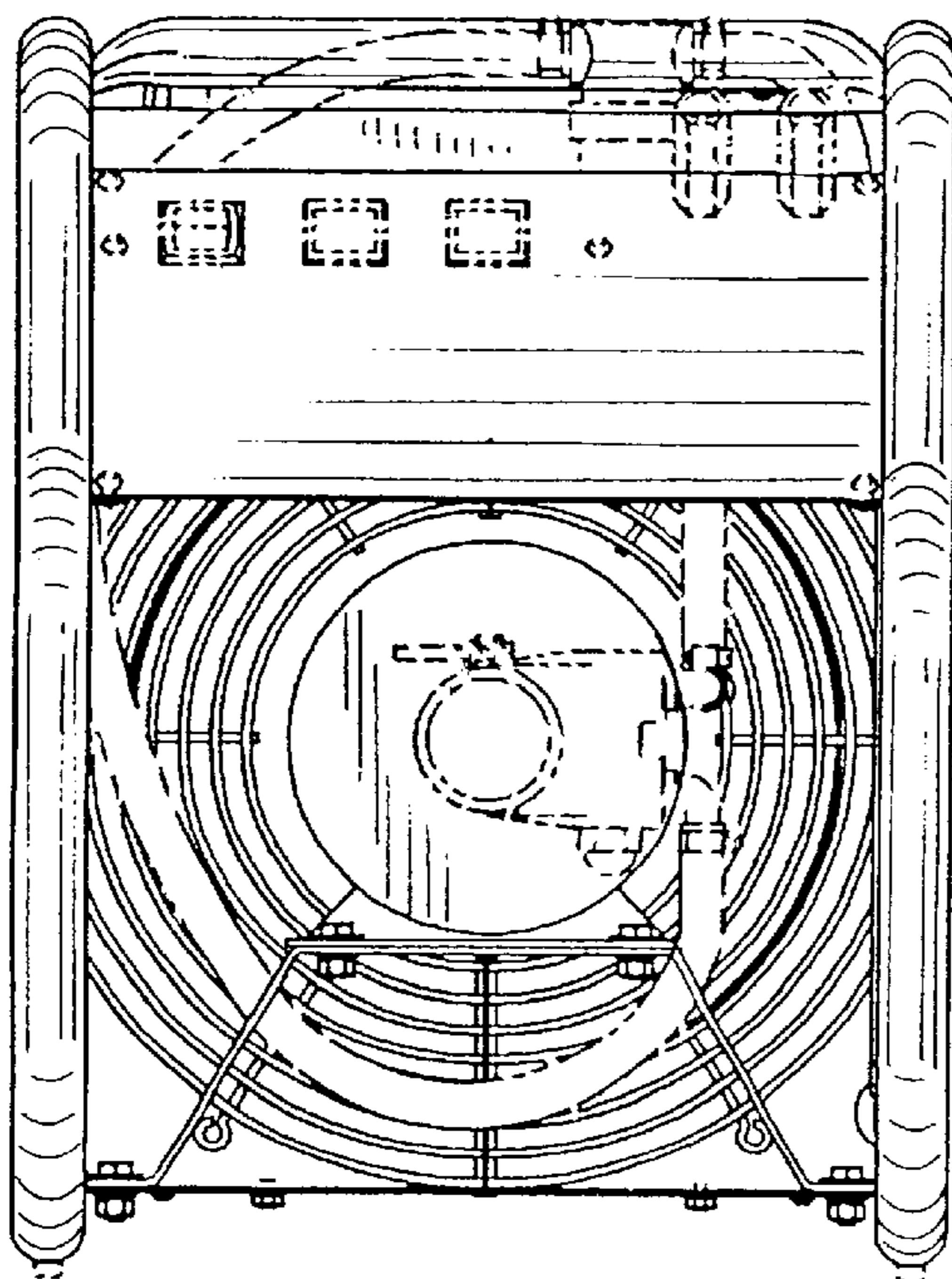


FIG. 5

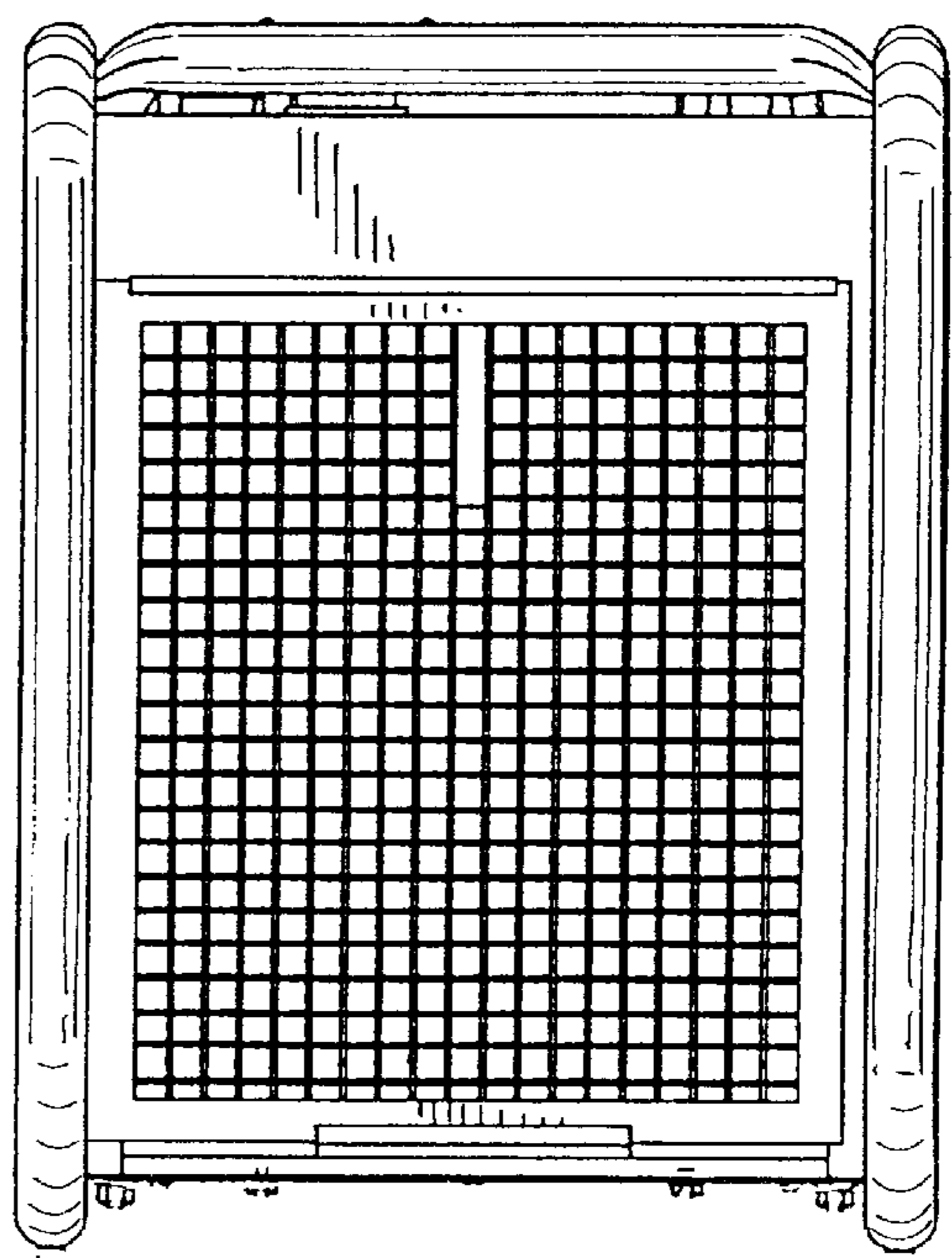


FIG. 6

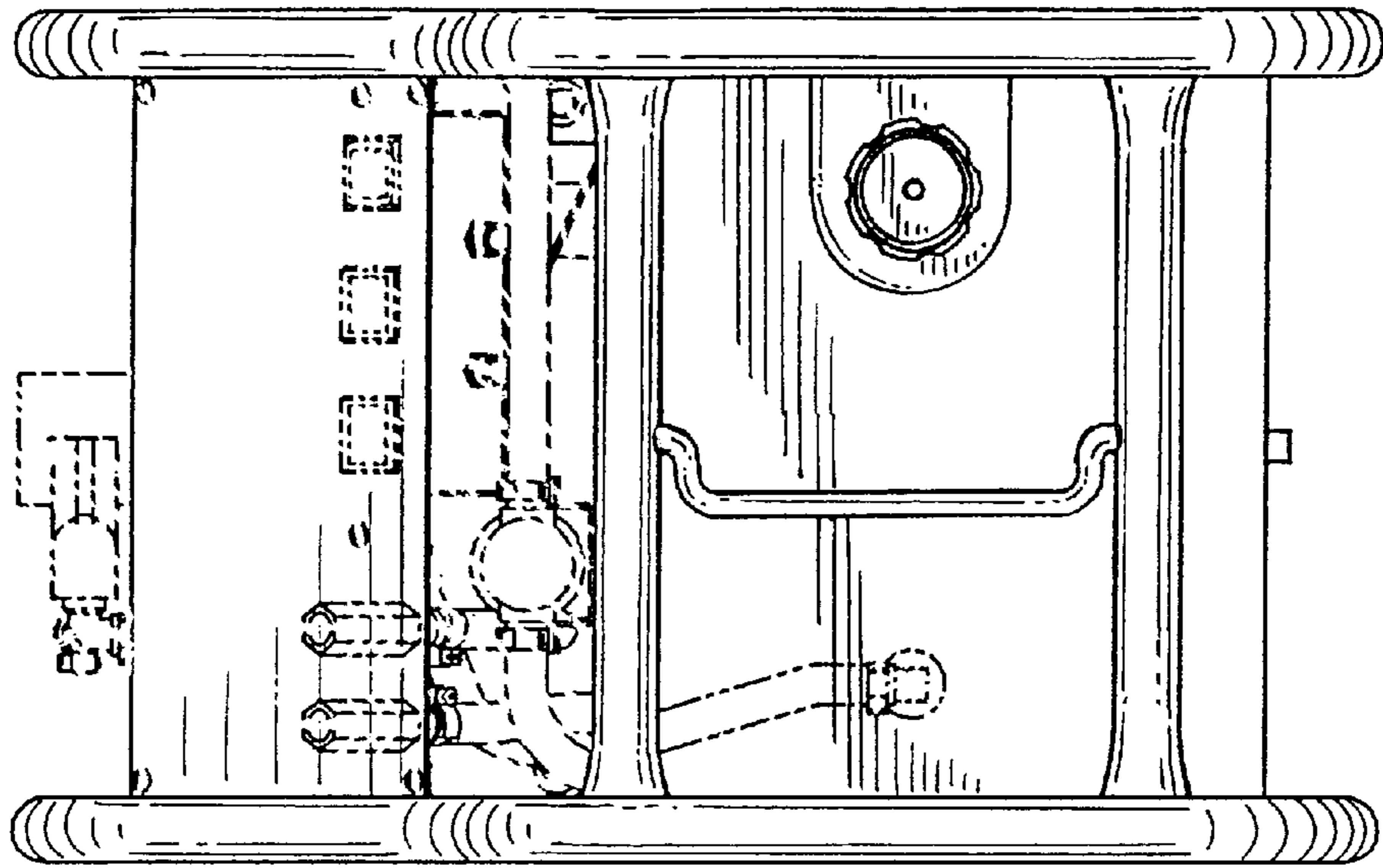


FIG. 7

