



US00D449363B1

(12) **United States Design Patent** (10) **Patent No.:** **US D449,363 S**
Yates (45) **Date of Patent:** **** Oct. 16, 2001**

(54) **PLAY DECK**

(75) Inventor: **Michael Yates**, Fort Payne, AL (US)

(73) Assignee: **Playcore, Inc.**, Janesville, WI (US)

(**) Term: **14 Years**

(21) Appl. No.: **29/135,301**

(22) Filed: **Jan. 9, 2001**

(51) **LOC (7) Cl.** **21-03**

(52) **U.S. Cl.** **D21/814**

(58) **Field of Search** D21/811, 814,
D21/818, 822-827; 482/35, 36

(56) **References Cited**

U.S. PATENT DOCUMENTS

D. 259,804	*	7/1981	Dieter et al.	D21/826
D. 397,397	*	8/1998	Strawcutter et al.	D21/811
D. 418,894	*	1/2000	Kuo	D21/811
D. 423,625	*	4/2000	Sutton et al.	D21/826

* cited by examiner

Primary Examiner—Mitchell Siegel
(74) *Attorney, Agent, or Firm*—Welsh & Katz, Ltd.

(57) **CLAIM**

The ornamental design for a play deck, as shown and described.

DESCRIPTION

FIG. 1 is a perspective view of the play deck of the current invention, the items shown in phantom lines are to show the positioning of the play deck in use;
FIG. 2 is a partial cross-sectional view, taken along the plane of line 2—2, of FIG. 1, showing a representative portion of the raised elements of the play deck;
FIG. 3 is another perspective view of the play deck, the items shown in phantom lines are to show the positioning of the play deck in use;
FIG. 4 is a perspective view of the play deck of the present invention;
FIG. 5 is a top view thereof, with the bottom being undecorated; and,
FIG. 6 is a side view thereof, the other side view and the front and back views being substantially identical, thereto.

1 Claim, 3 Drawing Sheets

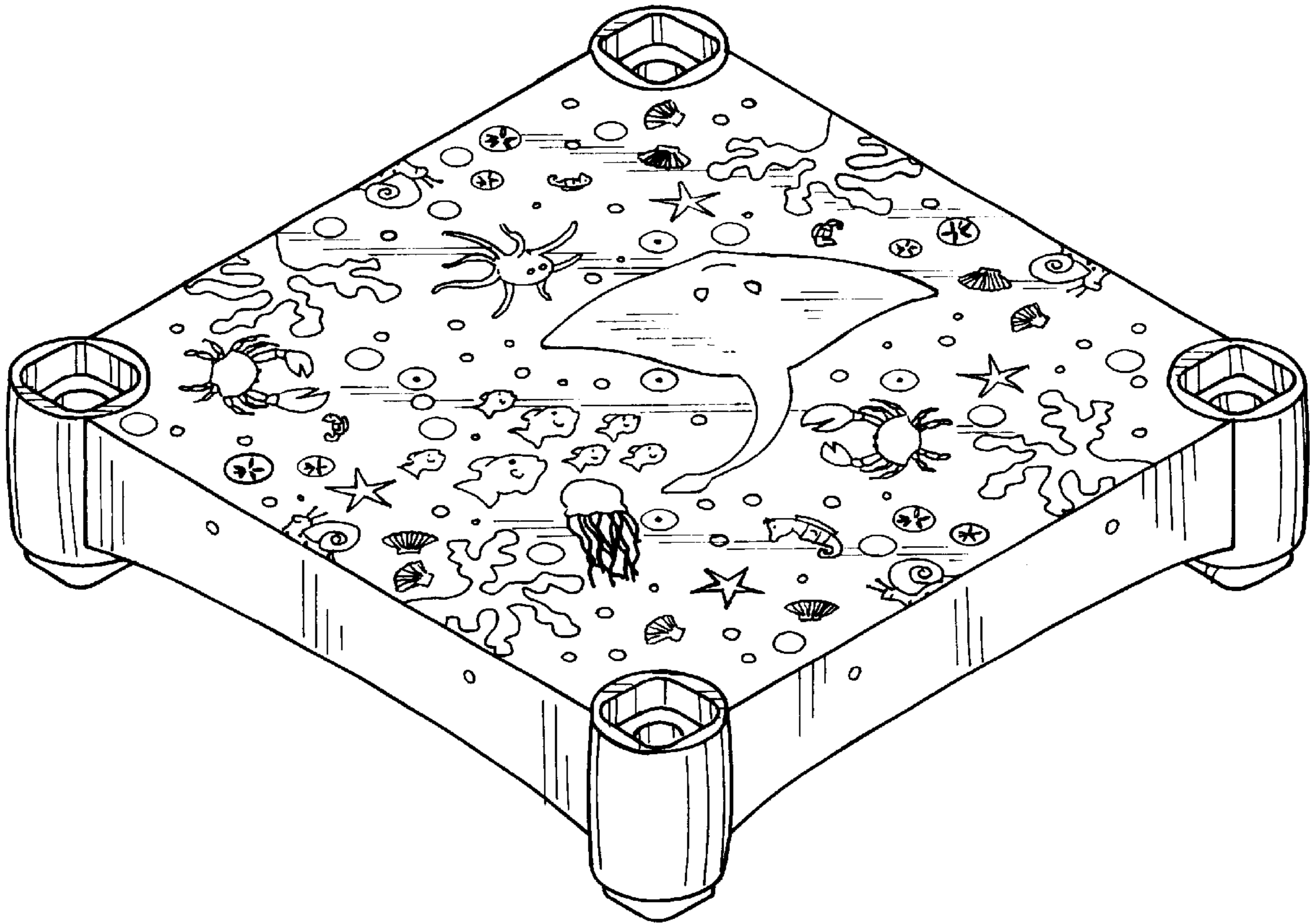


FIG. 1



FIG. 2

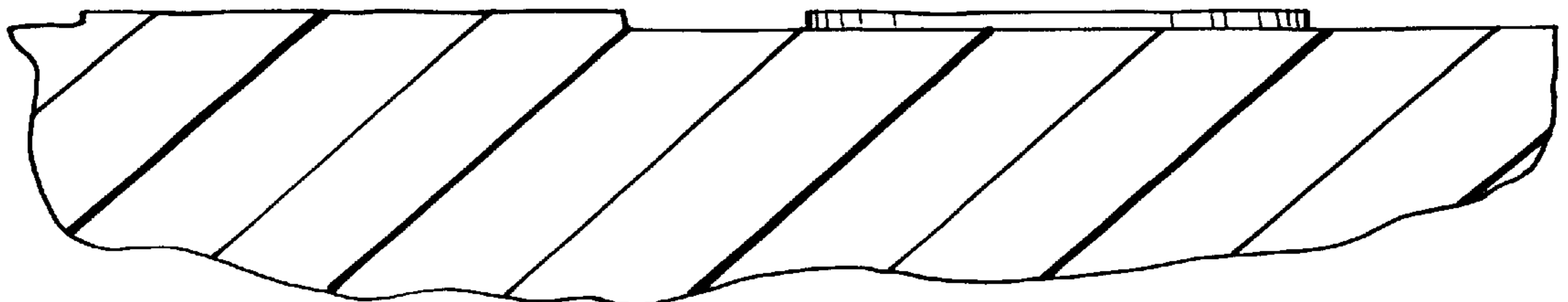


FIG. 3

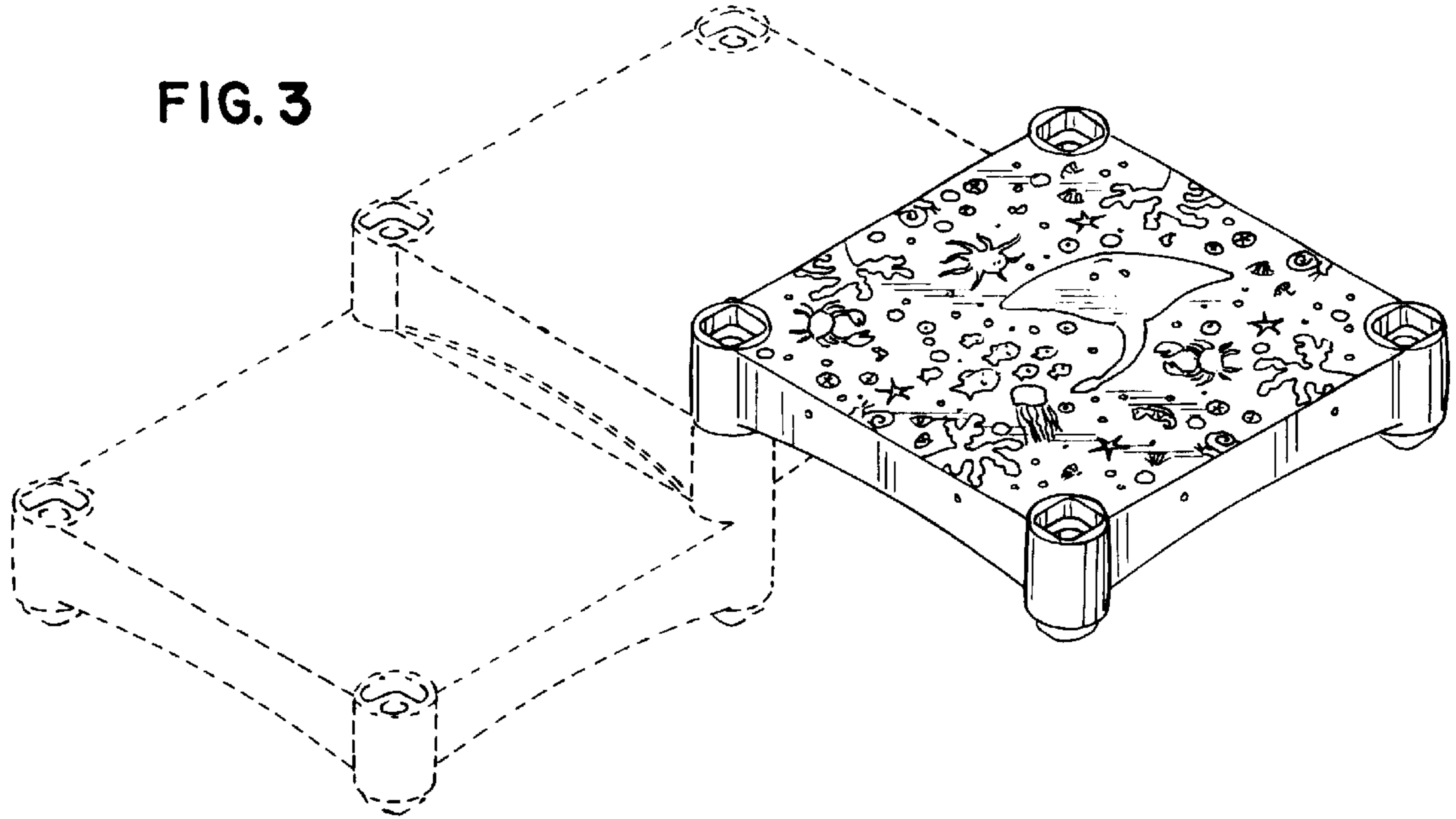


FIG. 4

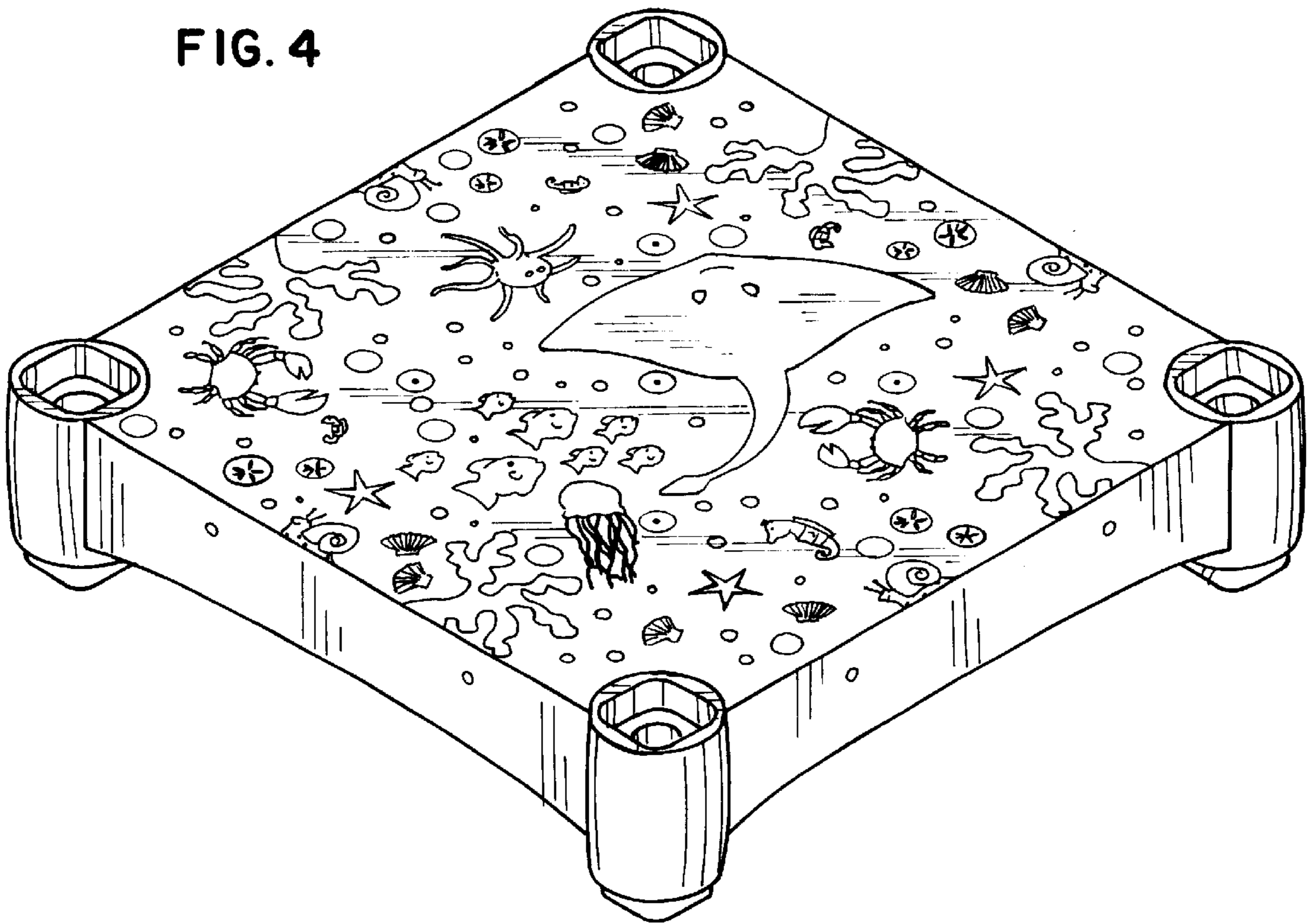


FIG. 5

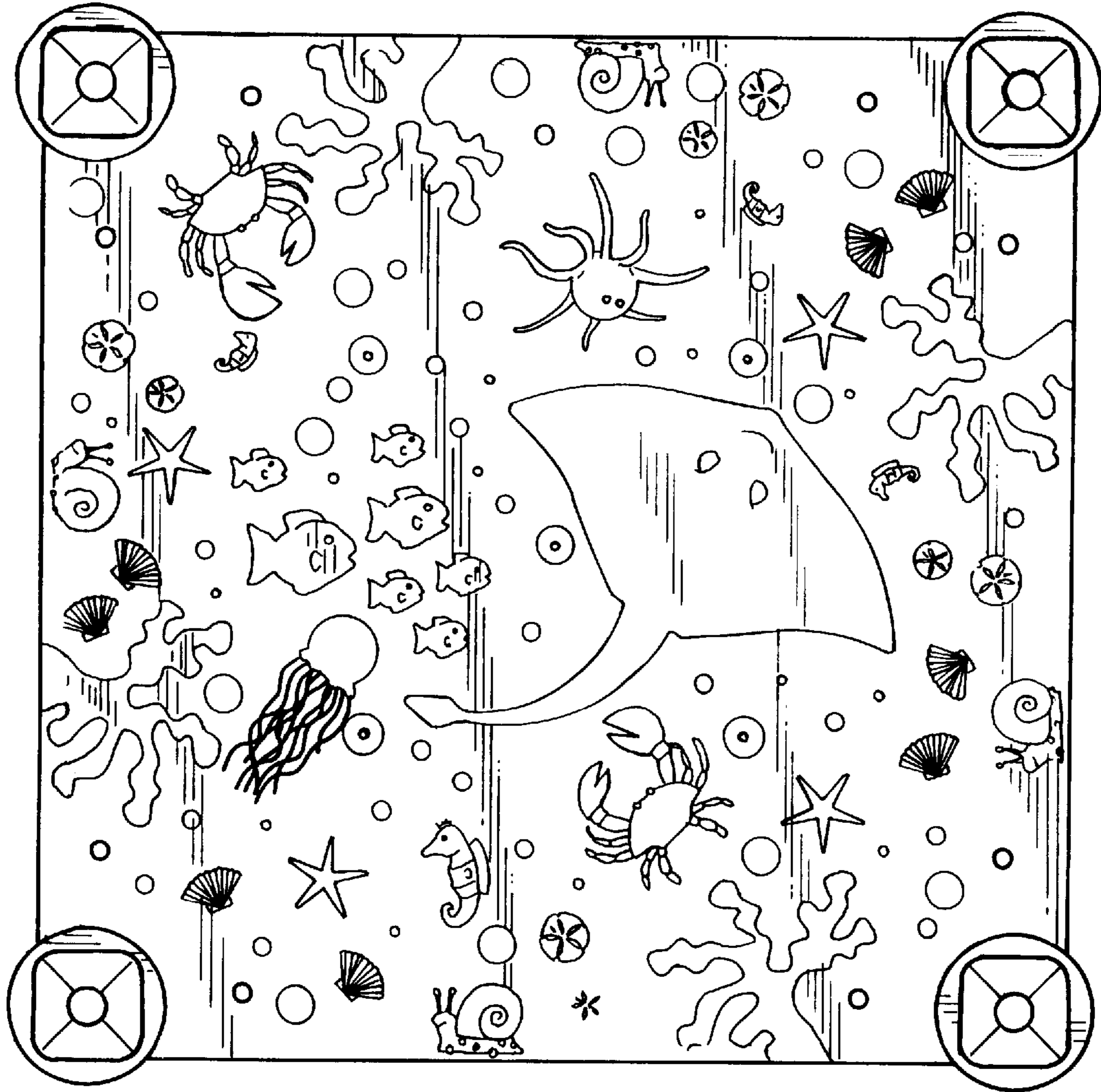


FIG. 6

