



US00D449362B1

(12) **United States Design Patent**
Evans

(10) **Patent No.:** **US D449,362 S**

(45) **Date of Patent:** **** Oct. 16, 2001**

(54) **FREE DIVING SWIM FIN**

(57) **CLAIM**

(76) **Inventor:** **Robert B. Evans**, 715 Kimball Ave.,
Santa Barbara, CA (US) 93103

The ornamental design for a free diving swim fin, as shown
and described herein.

(**) **Term:** **14 Years**

DESCRIPTION

(21) **Appl. No.:** **29/116,854**

FIG. 1. Is a perspective view of my free diving swim fin, and
the broken lines being for illustrative purposes only;

(22) **Filed:** **Jan. 11, 2000**

FIG. 2. Is a front view thereof;

(51) **LOC (7) Cl.** **21-06**

FIG. 3. Is a rear view thereof;

(52) **U.S. Cl.** **D21/806**

FIG. 4. Is a right side elevational view thereof;

(58) **Field of Search** D21/801, 803,
D21/806, 807; 441/61-64

FIG. 5. Is a left side elevational view thereof;

FIG. 6. is a top view thereof;

FIG. 7. Is a bottom view thereof;

(56) **References Cited**

FIG. 8. Is a top perspective view of an second embodiment
of my free diving swim fin;

U.S. PATENT DOCUMENTS

FIG. 9. Is a front view of the FIG. 8 embodiment;

D. 340,272 * 10/1993 Evans D21/806

FIG. 10. Is a rear view of the FIG. 8 embodiment;

D. 396,897 * 8/1998 Evans D21/806

FIG. 11. Is a right side elevational view of the FIG. 8
embodiment;

D. 423,623 * 4/2000 Evans D21/806

FIG. 12. Is a left side elevational view of the FIG. 8
embodiment;

* cited by examiner

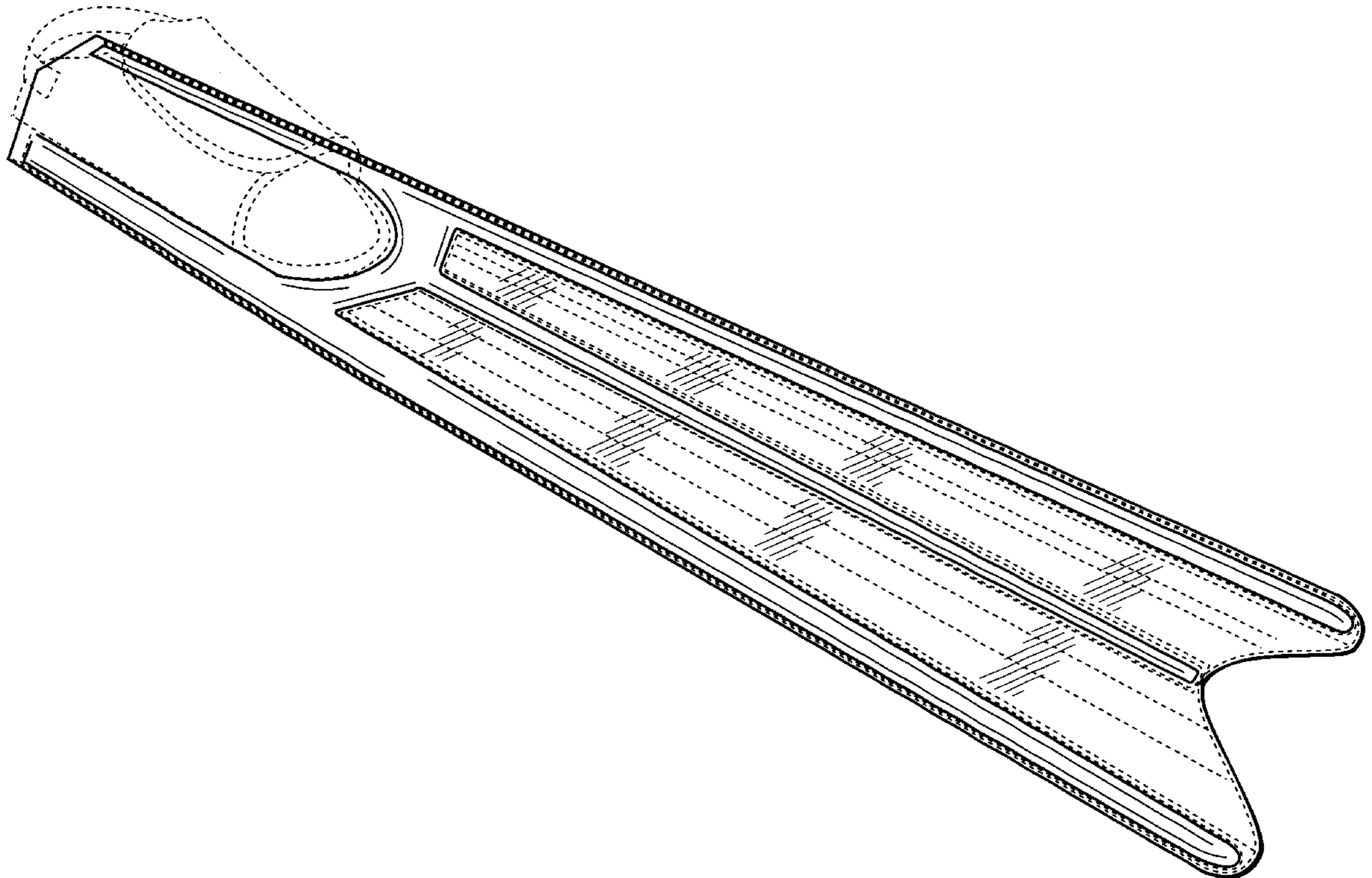
FIG. 13. Is a top view of the FIG. 8 embodiment; and,

FIG. 14. Is a bottom view of the FIG. 8 embodiment.

Primary Examiner—Kay H. Chin

1 Claim, 6 Drawing Sheets

(74) *Attorney, Agent, or Firm*—Cislo & Thomas LLP



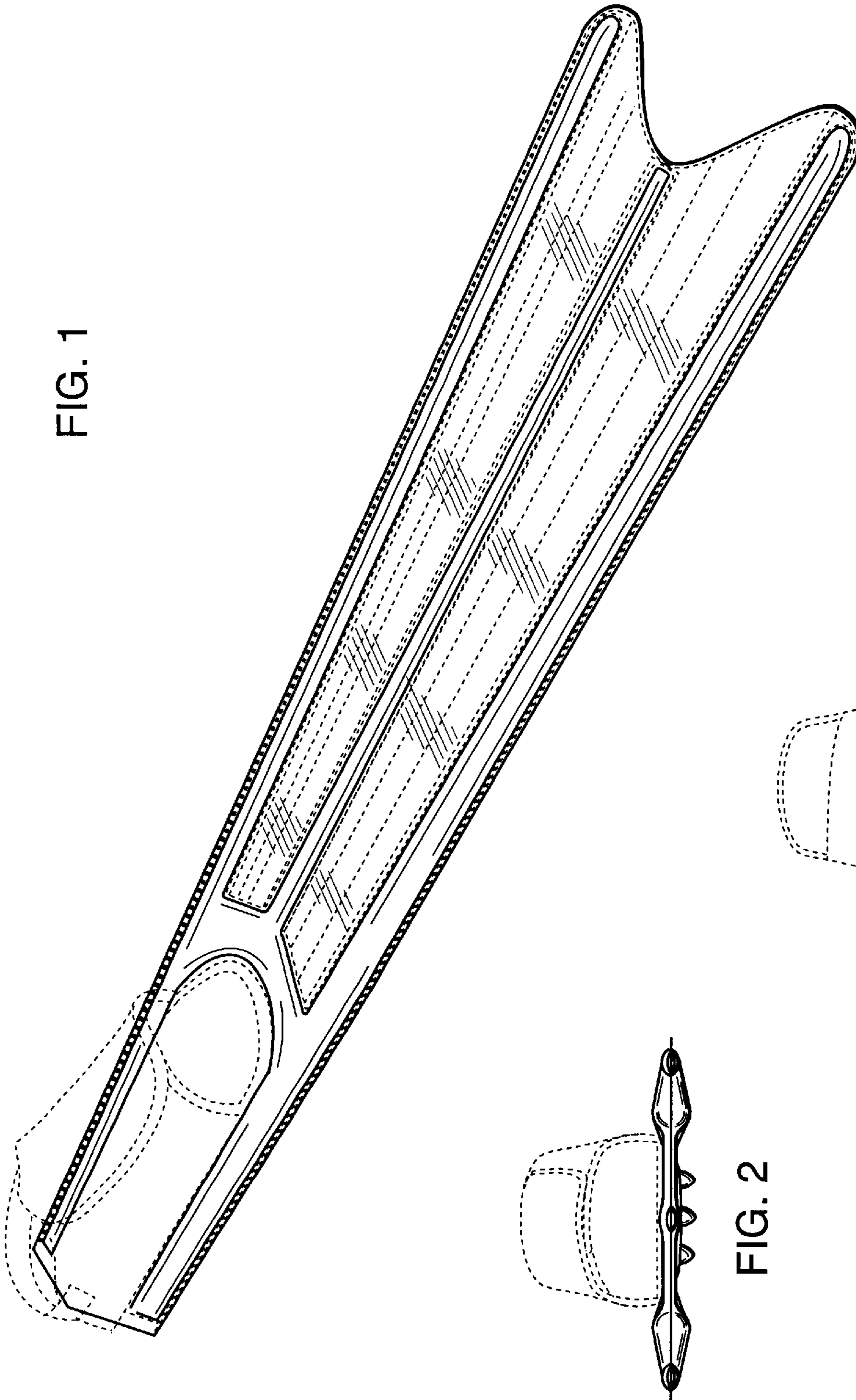


FIG. 1

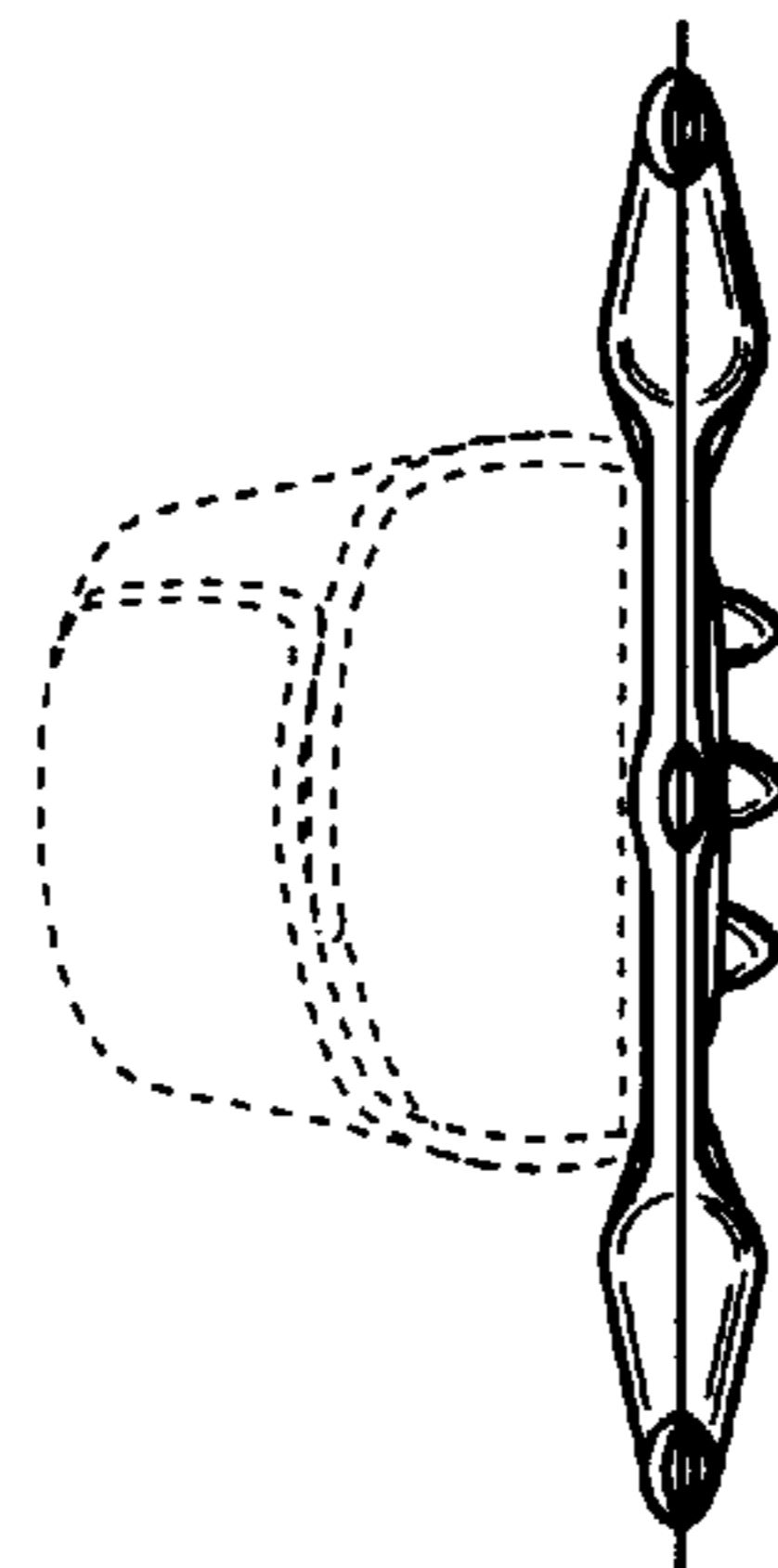


FIG. 2

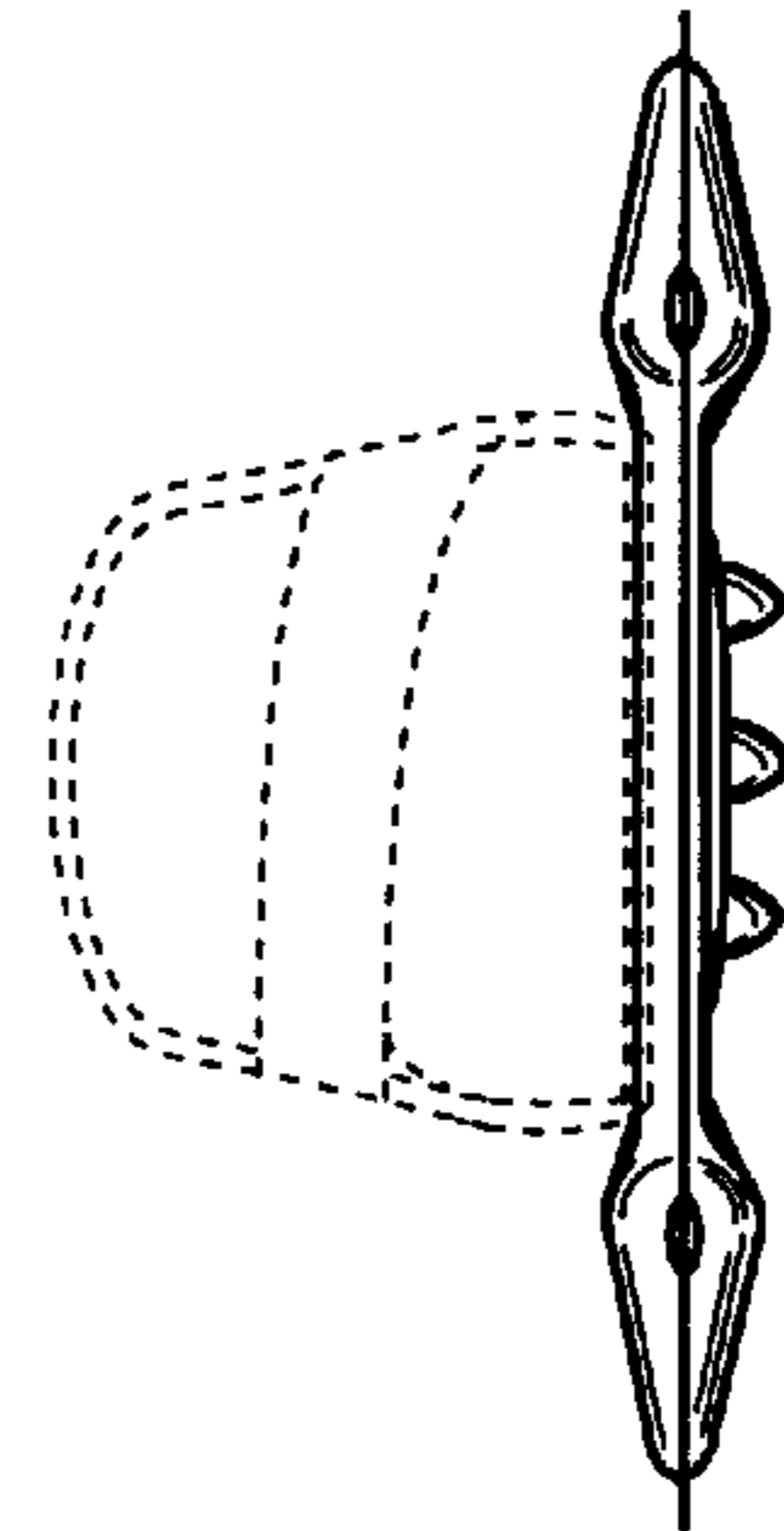


FIG. 3

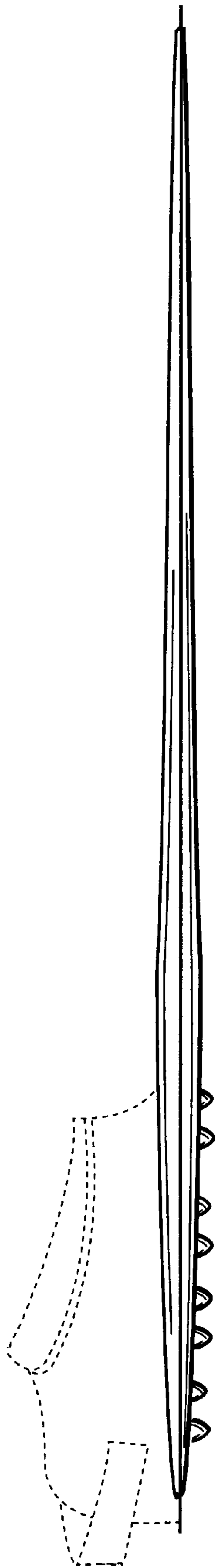


FIG. 4

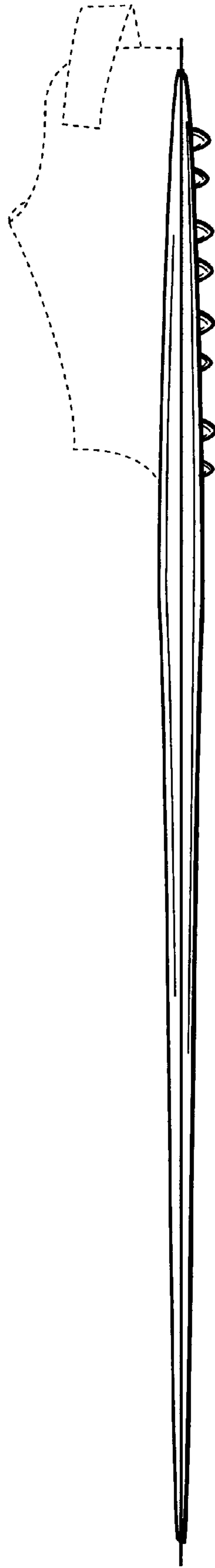


FIG. 5

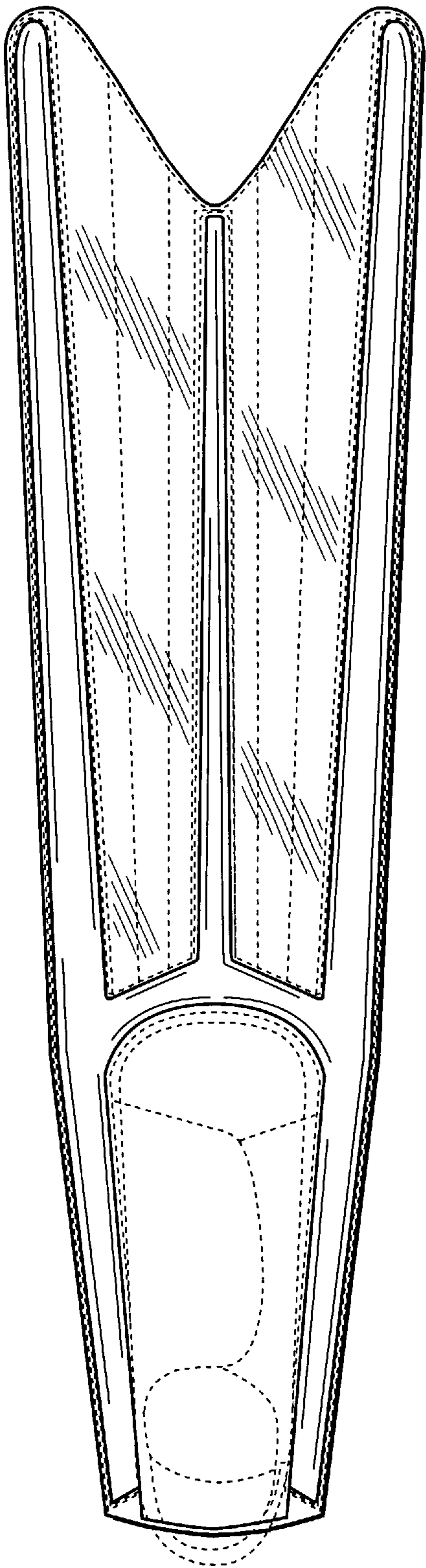


FIG. 6

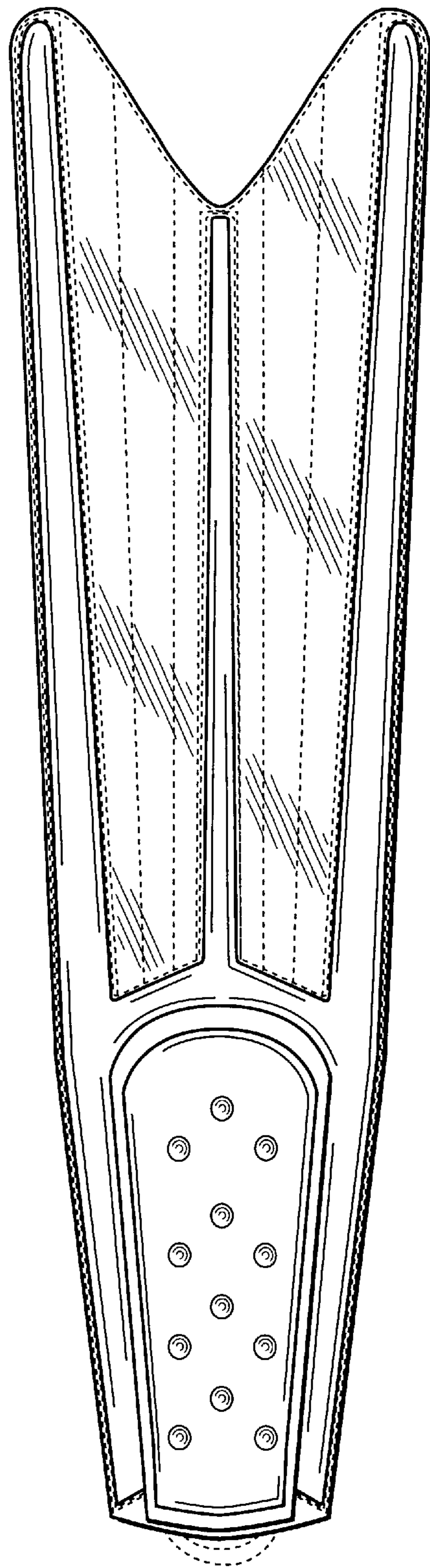


FIG. 7

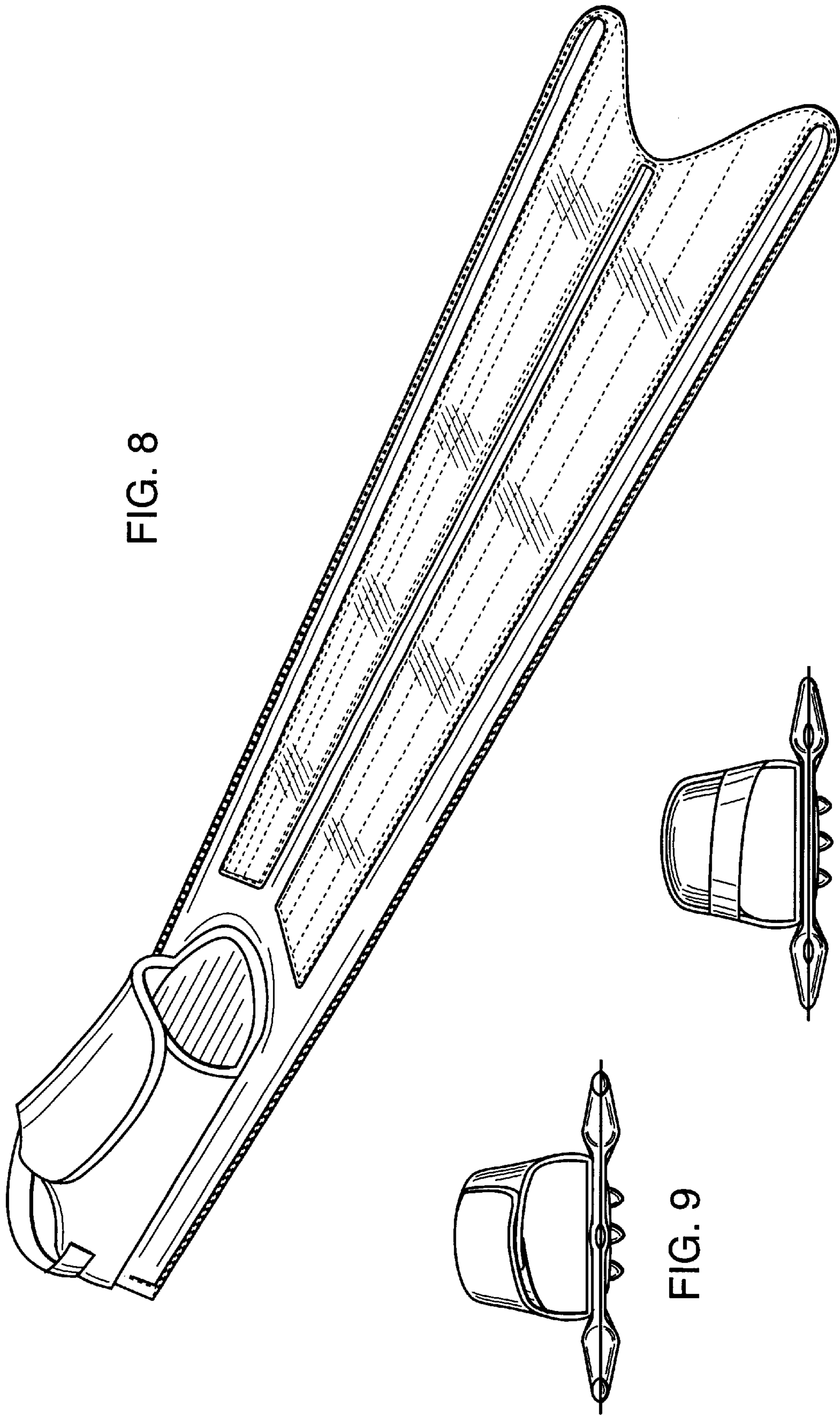


FIG. 8

FIG. 9

FIG. 10

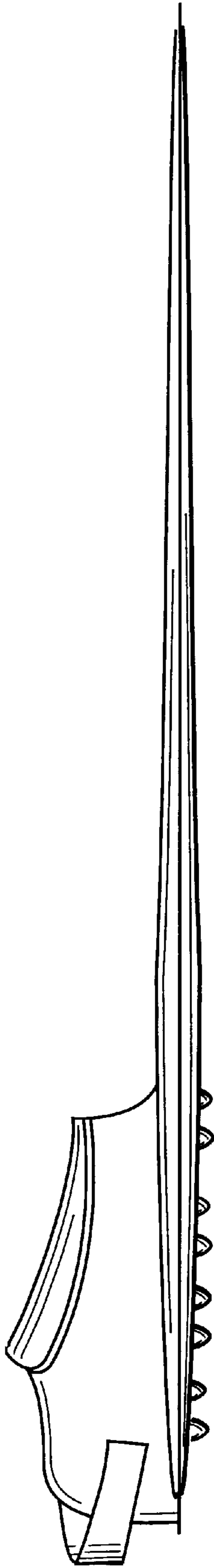


FIG. 11

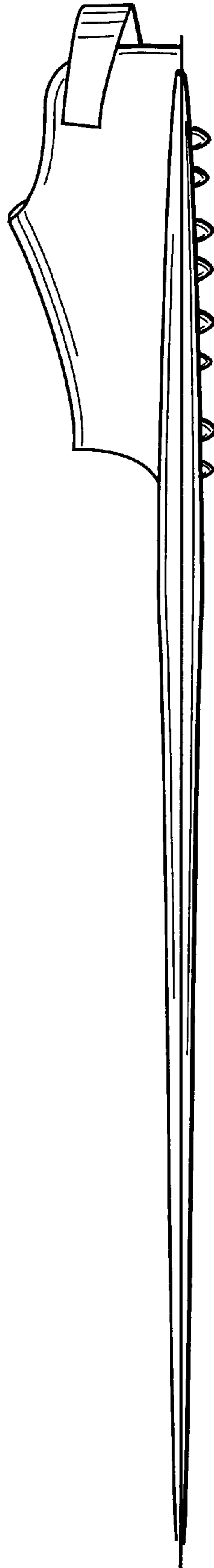


FIG. 12

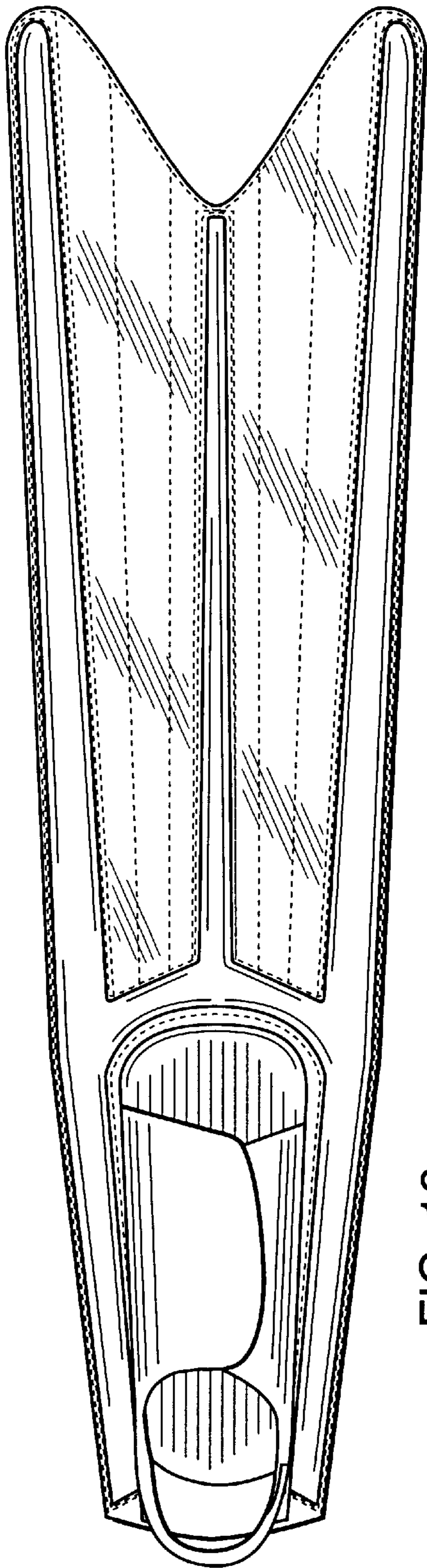


FIG. 13

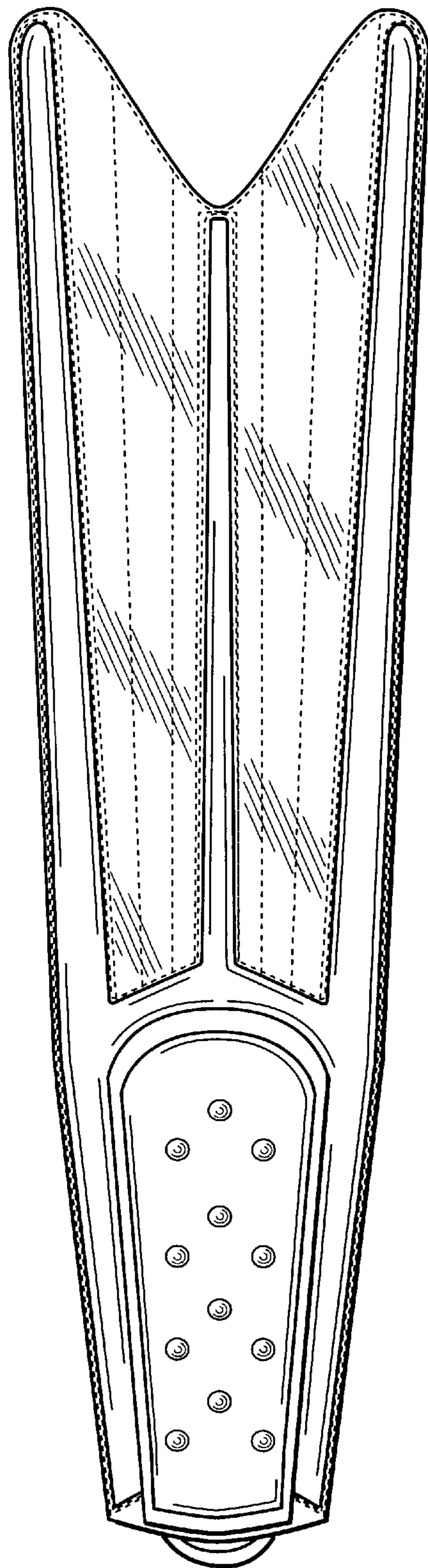


FIG. 14