



US00D449361B1

(12) **United States Design Patent**  
**Brust et al.**

(10) **Patent No.: US D449,361 S**

(45) **Date of Patent: \*\* Oct. 16, 2001**

(54) **GOLF SWING RECORDAL, ANALYSIS AND DISPLAY SYSTEM**

(75) Inventors: **Jonathan Eli Brust; Steven Michael Spiro**, both of New York, NY (US); **Lawrence Michael Kuba**, Nashua, NH (US); **Stephan Kendall Roundtree**, Dunstable, MA (US); **Arthur B. Nichols**, New Caanan, CT (US)

(73) Assignee: **Swingcam, Inc.**, New York, NY (US)

(\*\*) Term: **14 Years**

(21) Appl. No.: **29/113,958**

(22) Filed: **Nov. 15, 1999**

**Related U.S. Application Data**

(63) Continuation-in-part of application No. 29/099,260, filed on Jan. 19, 1999, now abandoned.

(51) **LOC (7) Cl.** ..... **21-02**

(52) **U.S. Cl.** ..... **D21/789**

(58) **Field of Search** ..... D21/789; 473/141, 473/220-225

(56) **References Cited**

**U.S. PATENT DOCUMENTS**

D. 304,843	*	11/1989	Tonner	.....	D21/789
3,601,408	*	8/1971	Wright	.....	473/225
4,767,121	*	8/1988	Tonner	.....	473/141
4,958,836	*	9/1990	Onozuka et al.	.....	473/141

\* cited by examiner

*Primary Examiner*—Mitchell Siegel

(74) *Attorney, Agent, or Firm*—Norris, McLaughlin & Marcus P.A.

(57) **CLAIM**

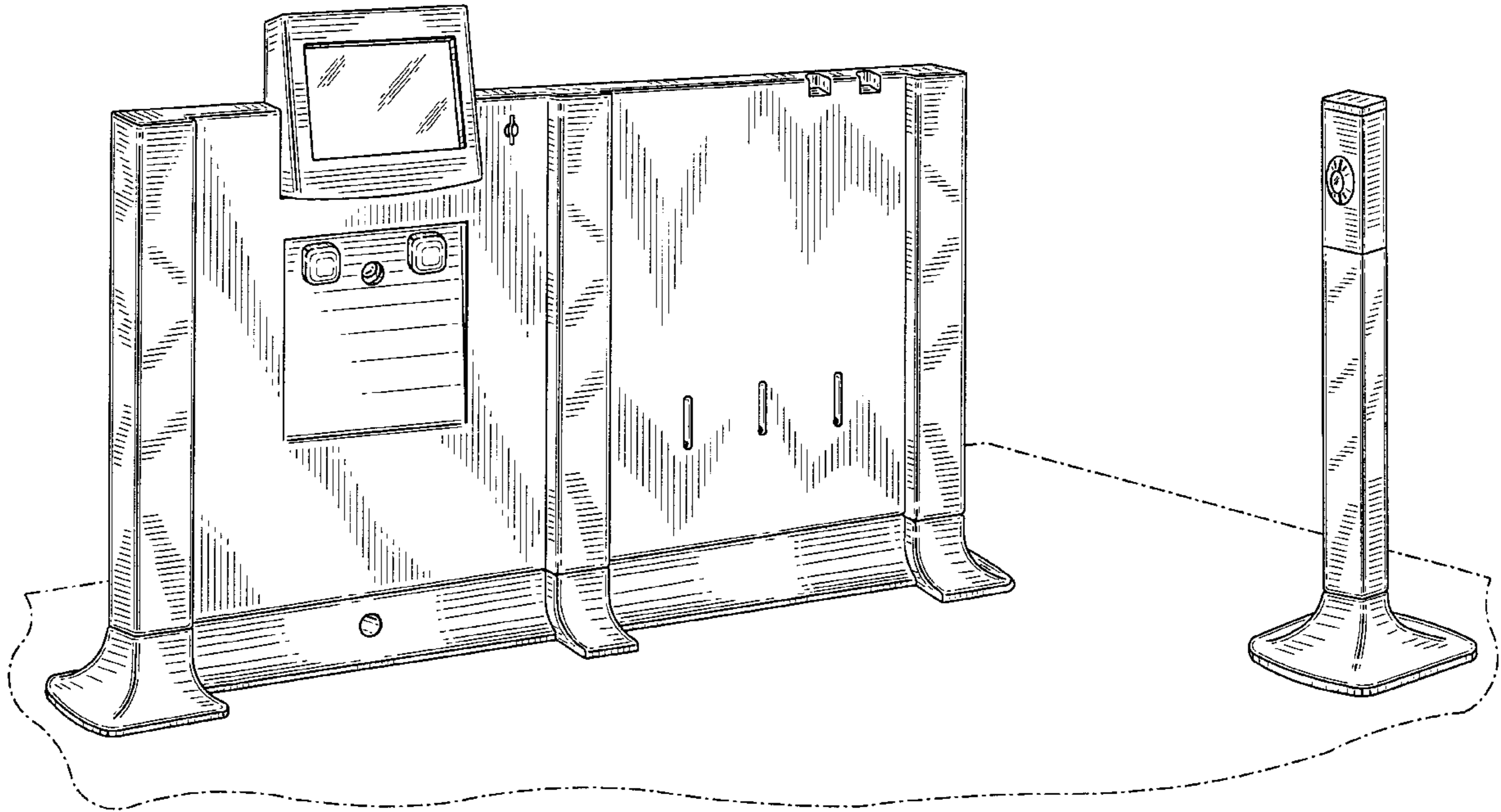
The ornamental design for golf swing recordal, analysis and display system, as shown and described.

**DESCRIPTION**

FIG. 1 is a perspective view of an embodiment of the invention; and,

FIG. 2 is a perspective view of an alternate embodiment of the invention.

**1 Claim, 2 Drawing Sheets**



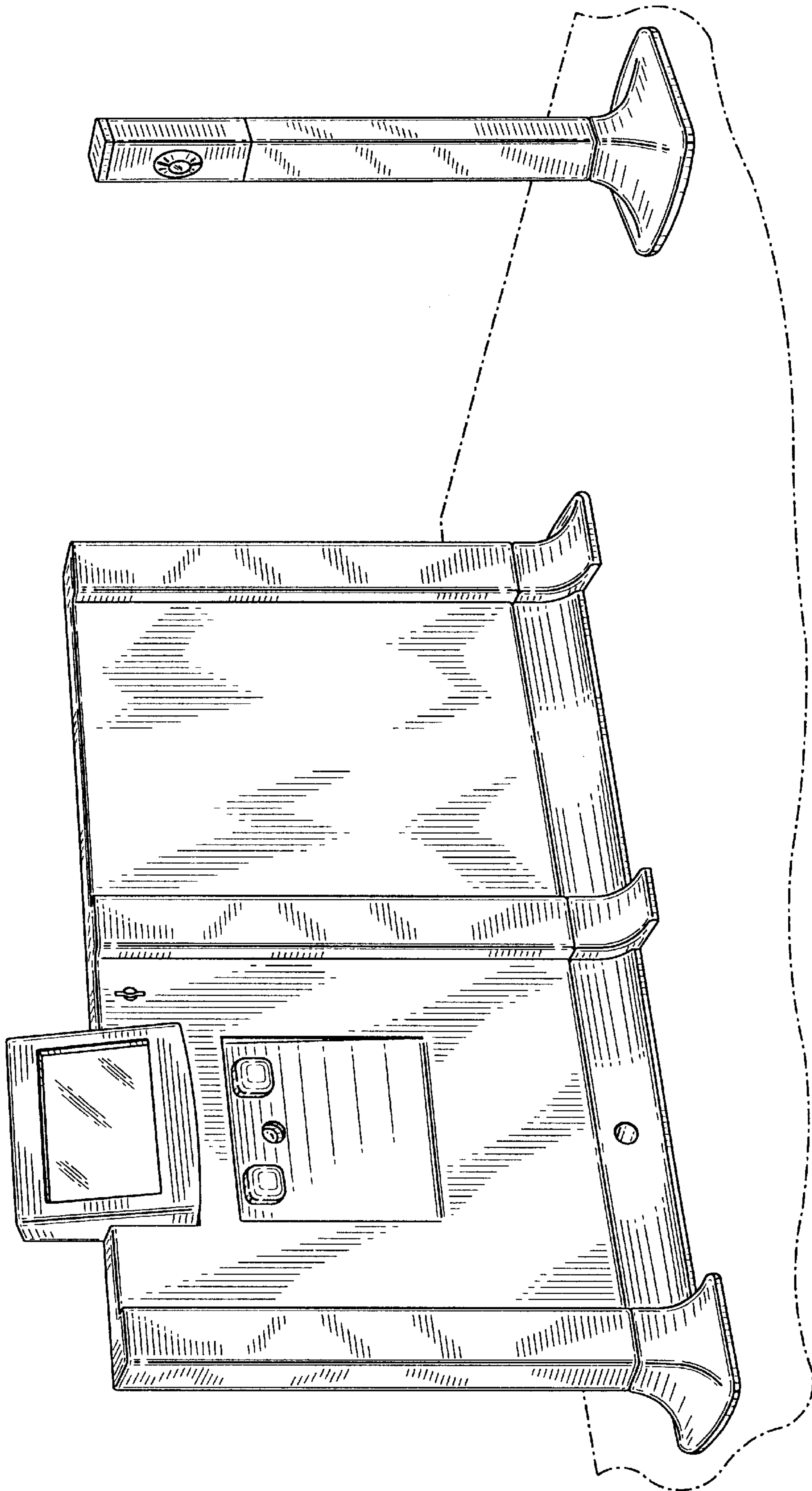


FIG. 1

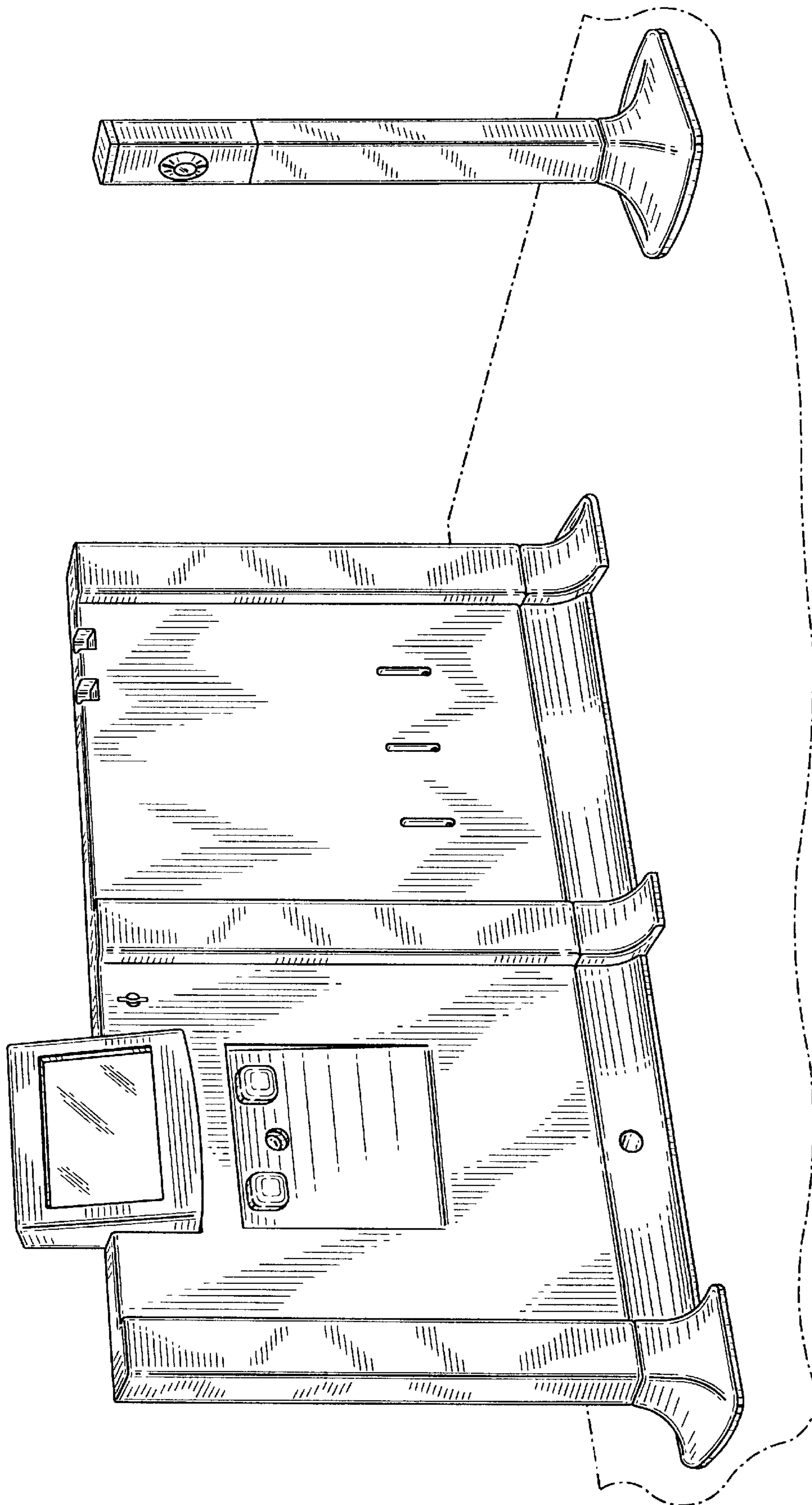


FIG. 2