



US00D449356B1

(12) **United States Design Patent**
Arnold et al.

(10) **Patent No.:** **US D449,356 S**

(45) **Date of Patent:** **** Oct. 16, 2001**

(54) **CROSSTRaining EXERCISER**

(75) Inventors: **Peter Arnold**, Seattle; **Philip S. Lamb**, Bothell; **Michael Baum**, Kirkland; **Mark Sand**, Seattle, all of WA (US)

(73) Assignee: **Illinois Tool Works, Inc.**, Glenview, IL (US)

(**) Term: **14 Years**

5,352,169	10/1994	Eschenbach	482/57
5,383,829	1/1995	Miller	482/57
5,423,729	6/1995	Eschenbach	482/70
5,518,473	5/1996	Miller	482/57
5,529,554	6/1996	Eschenbach	482/57
5,562,574	10/1996	Miller	482/51
5,577,985	11/1996	Miller	482/52
5,746,683	5/1998	Lee	482/57
5,823,914	10/1998	Chen	482/51

* cited by examiner

(21) Appl. No.: **29/112,291**
(22) Filed: **Oct. 13, 1999**

Primary Examiner—Philip S. Hyder
(74) *Attorney, Agent, or Firm*—Christensen O'Connor Johnson Kindness PLLC

(51) **LOC (7) Cl.** **21-02**
(52) **U.S. Cl.** **D21/668**
(58) **Field of Search** D21/662, 663,
D21/667, 668, 669, 670; 482/51, 52, 57,
70, 72

(57) **CLAIM**

The ornamental design for a crosstraining exerciser, as shown and described.

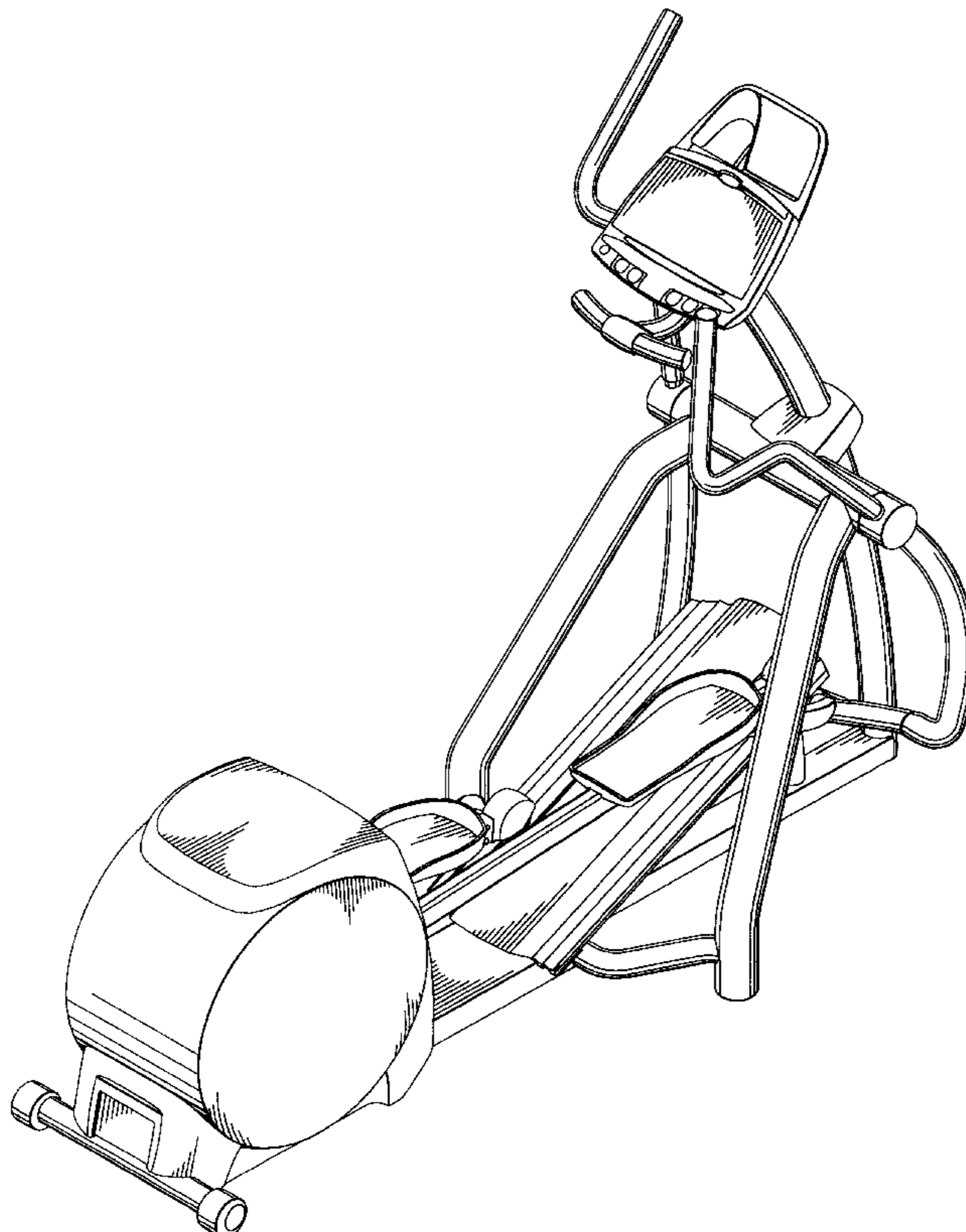
DESCRIPTION

(56) **References Cited**
U.S. PATENT DOCUMENTS

D. 352,535	*	11/1994	Miller	D21/668
D. 372,282		7/1996	Pasero et al.	D21/668
D. 388,847		1/1998	Whan-Tong et al.	D21/668
D. 397,383		8/1998	Sands et al.	D21/668
D. 398,672		9/1998	Sands et al.	D21/668
D. 401,645	*	11/1998	Kuo	D21/668
D. 405,852	*	2/1999	McBride	D21/670
D. 408,477		4/1999	Arnold et al.	D21/668
D. 410,978		6/1999	Littrell et al.	D21/668
D. 429,781	*	8/2000	Arnold et al.	D21/668

FIG. 1 is a rear perspective view of the crosstraining exerciser showing our new design;
FIG. 2 is a front perspective view thereof;
FIG. 3 is a side elevational view thereof, with the opposite side being a mirror image thereof, except for the pedals and handlebars being in alternate position;
FIG. 4 is a top view thereof;
FIG. 5 is a bottom view thereof;
FIG. 6 is a rear elevational view thereof; and,
FIG. 7 is a front elevational view thereof.

1 Claim, 6 Drawing Sheets



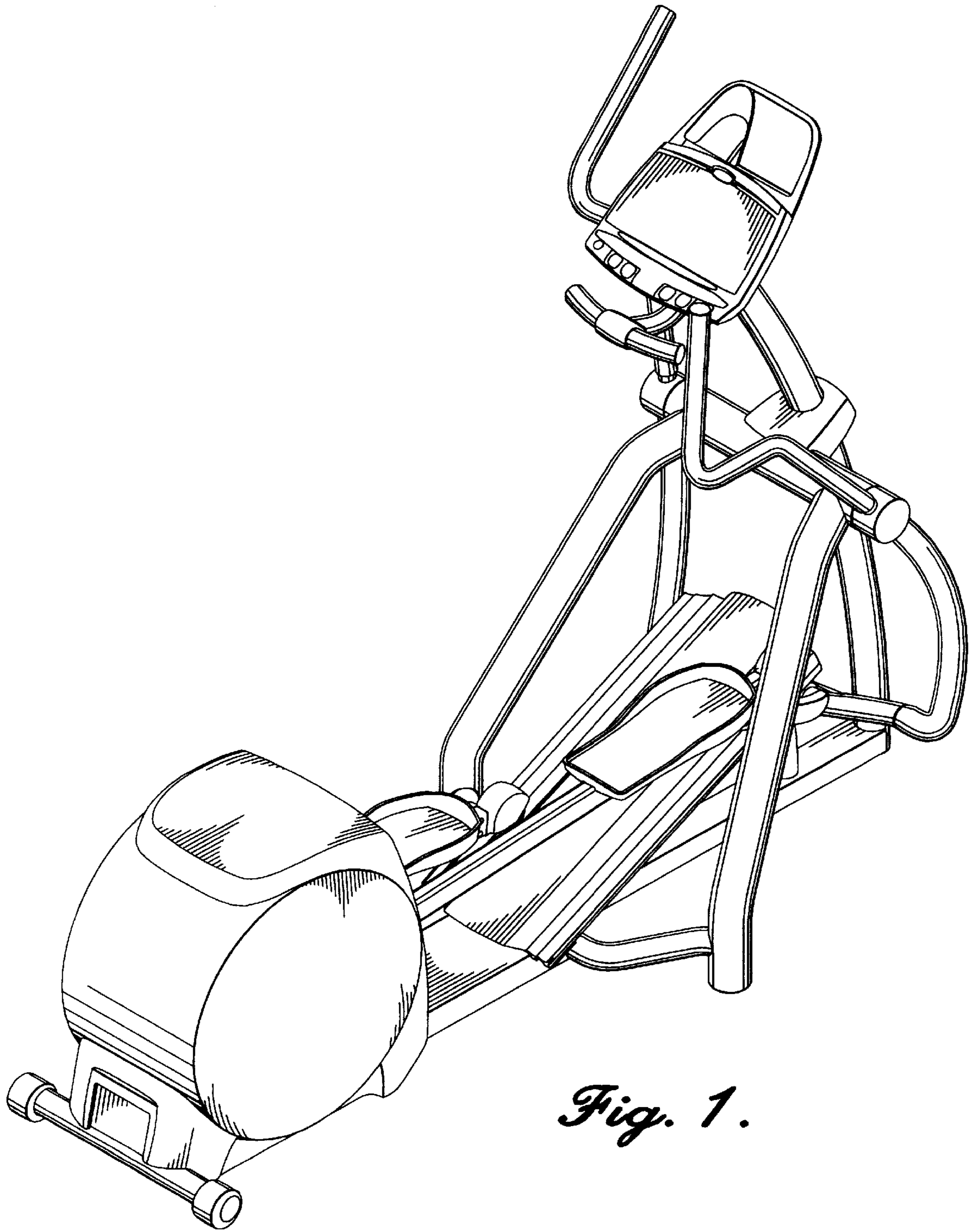


Fig. 1.

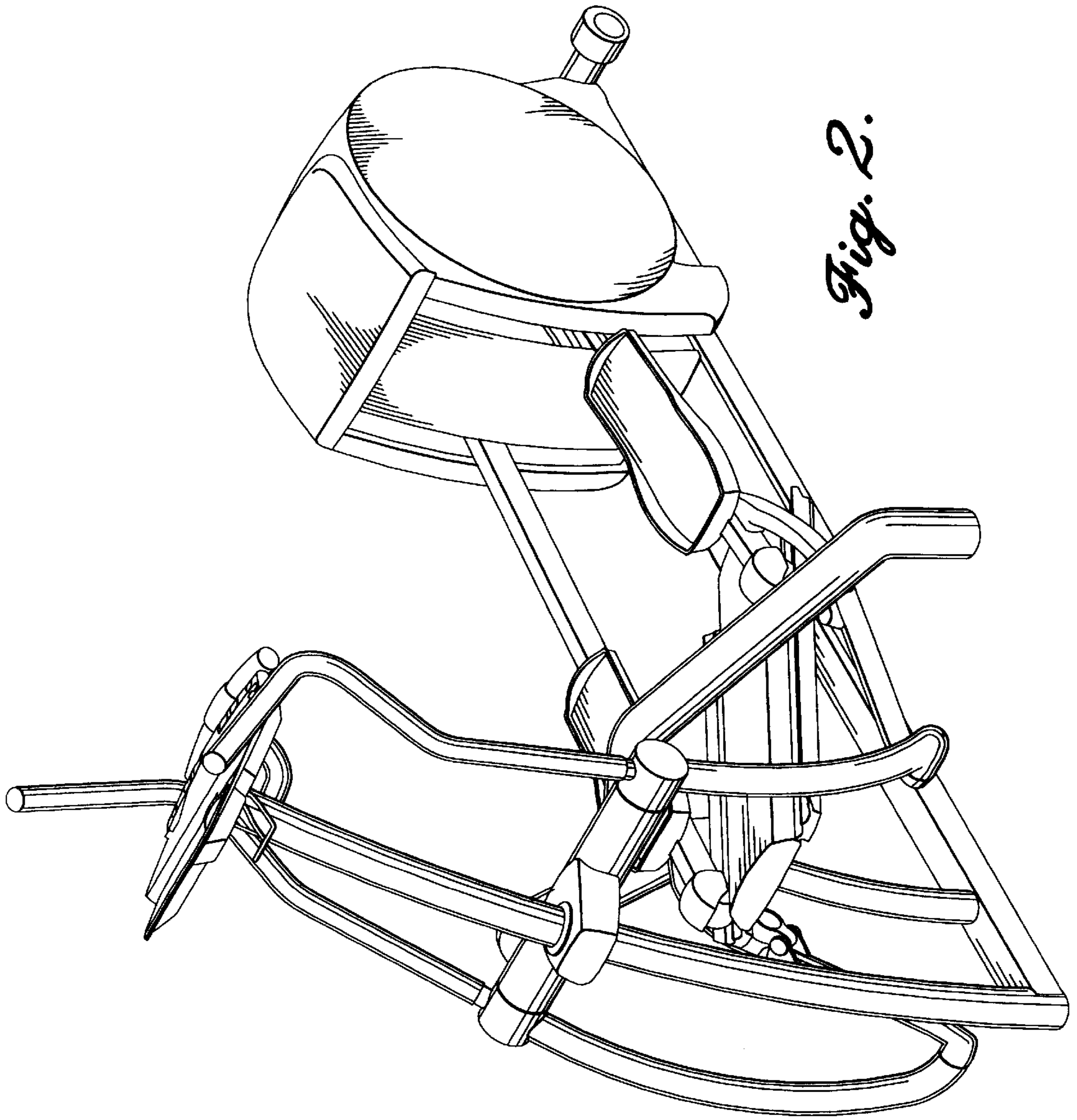
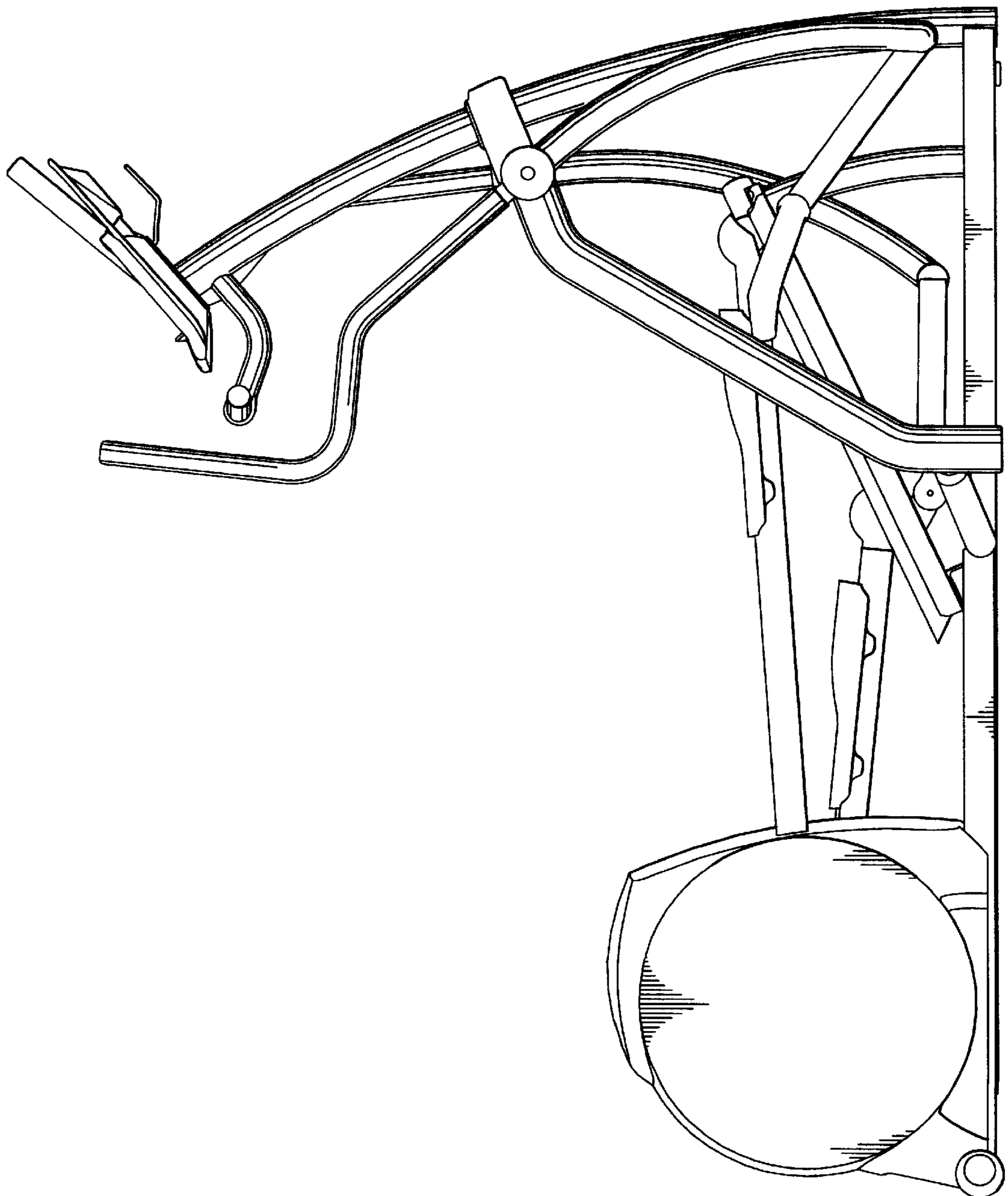


Fig. 2.

Fig. 3.



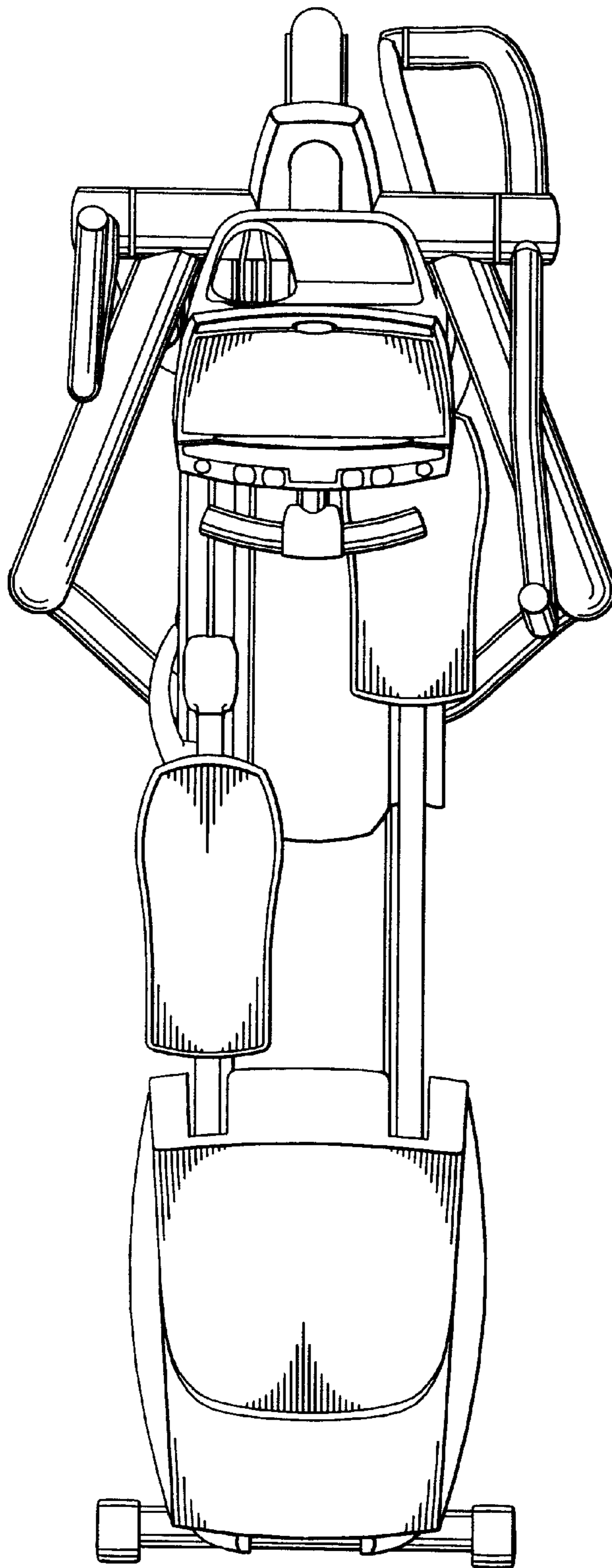


Fig. 4.

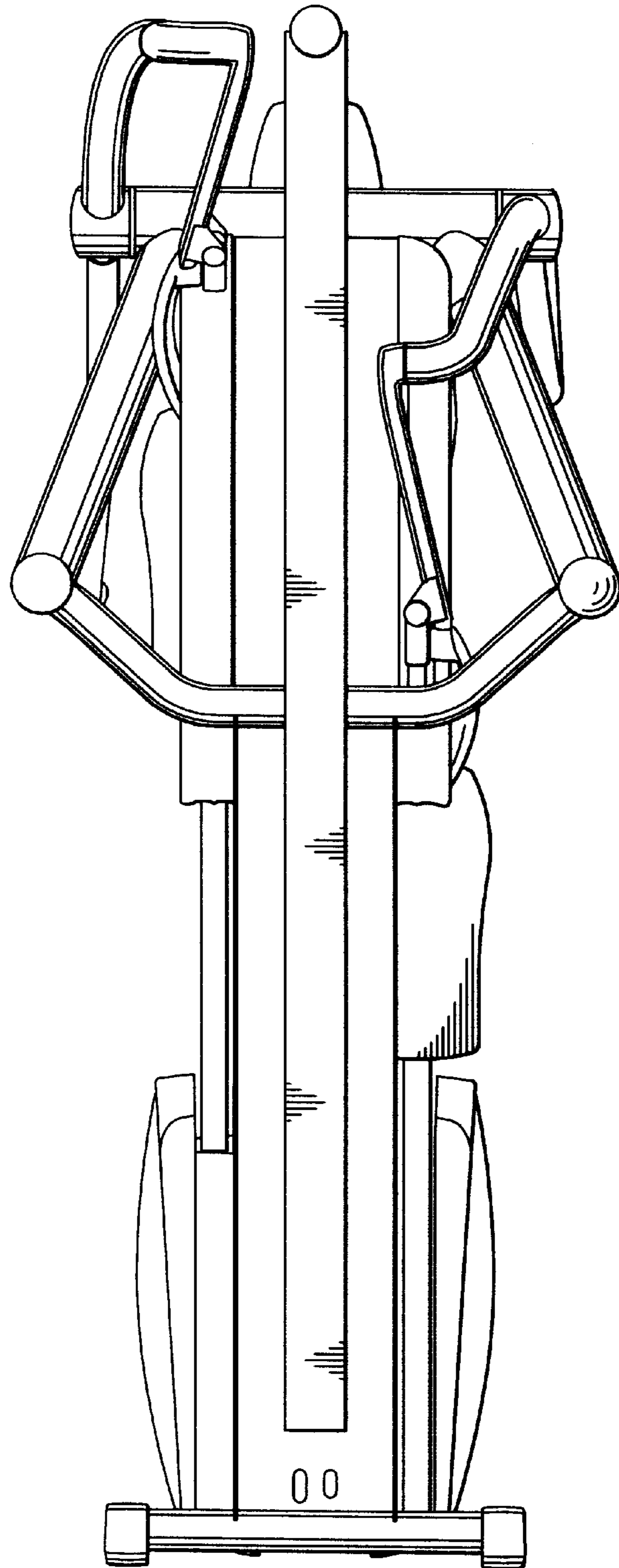


Fig. 5.

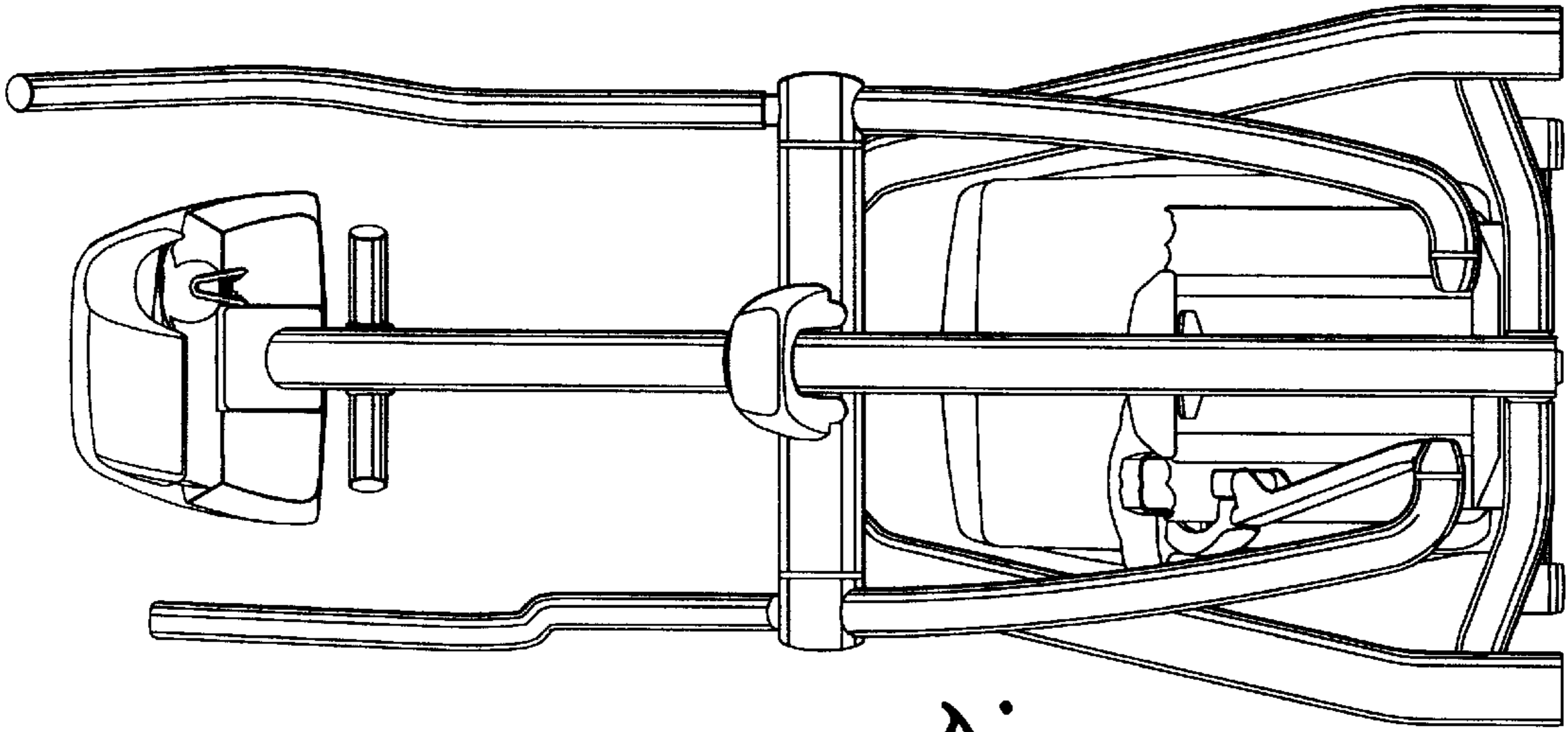


Fig. 7.

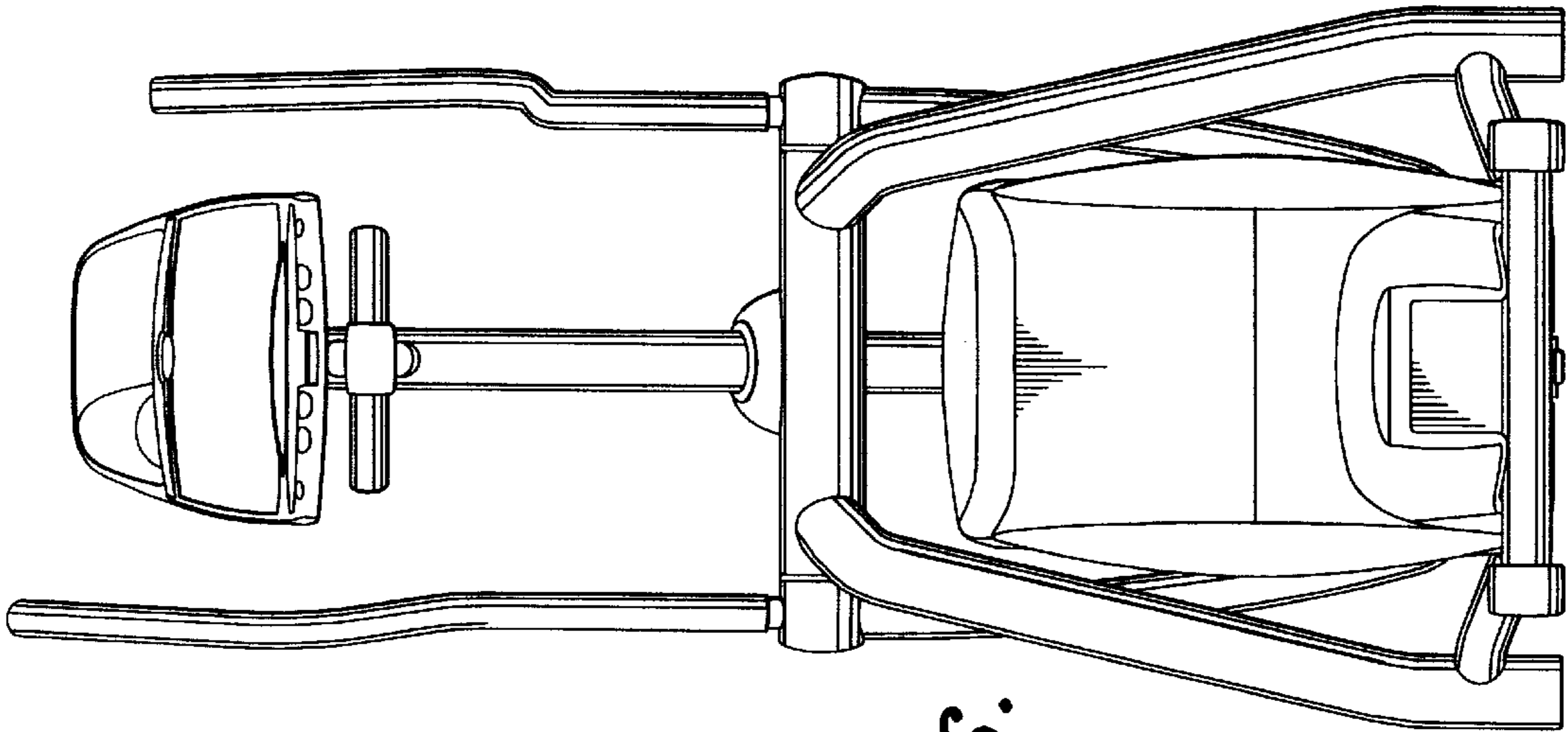


Fig. 6.