



US00D449351B1

(12) **United States Design Patent**
Fisher

(10) **Patent No.:** **US D449,351 S**

(45) **Date of Patent:** **** Oct. 16, 2001**

(54) **STAND FOR A TOY**

(75) **Inventor:** **Steven W. Fisher**, Kirkland, WA (US)

(73) **Assignee:** **Microsoft Corporation**, Redmond, WA (US)

(**) **Term:** **14 Years**

(21) **Appl. No.:** **29/136,967**

(22) **Filed:** **Feb. 12, 2001**

(51) **LOC (7) Cl.** **21-01**

(52) **U.S. Cl.** **D21/398; D21/475**

(58) **Field of Search** D21/398, 405,
D21/409, 468, 475; D19/59, 60; 446/227,
404, 408; 434/258-260

(56) **References Cited**

U.S. PATENT DOCUMENTS

D. 187,218	*	2/1960	McHugh	D21/475
D. 205,185	*	7/1966	Ryan	D21/405
D. 236,141	*	7/1975	Snyder	D21/475
D. 275,502	*	9/1984	Nakao et al.	D21/475
D. 392,321	*	3/1998	Chan	D19/60
D. 398,862	*	9/1998	Lane	D21/398

D. 413,149	*	8/1999	Chan et al.	D21/475
D. 413,941	*	9/1999	Ko	D21/475

* cited by examiner

Primary Examiner—Dominic Simone

(74) *Attorney, Agent, or Firm*—Banner & Witcoff, Ltd.

(57) **CLAIM**

The ornamental design for a stand for a toy, as shown and described.

DESCRIPTION

FIG. 1 is a first perspective view of a stand for a toy showing my new design;

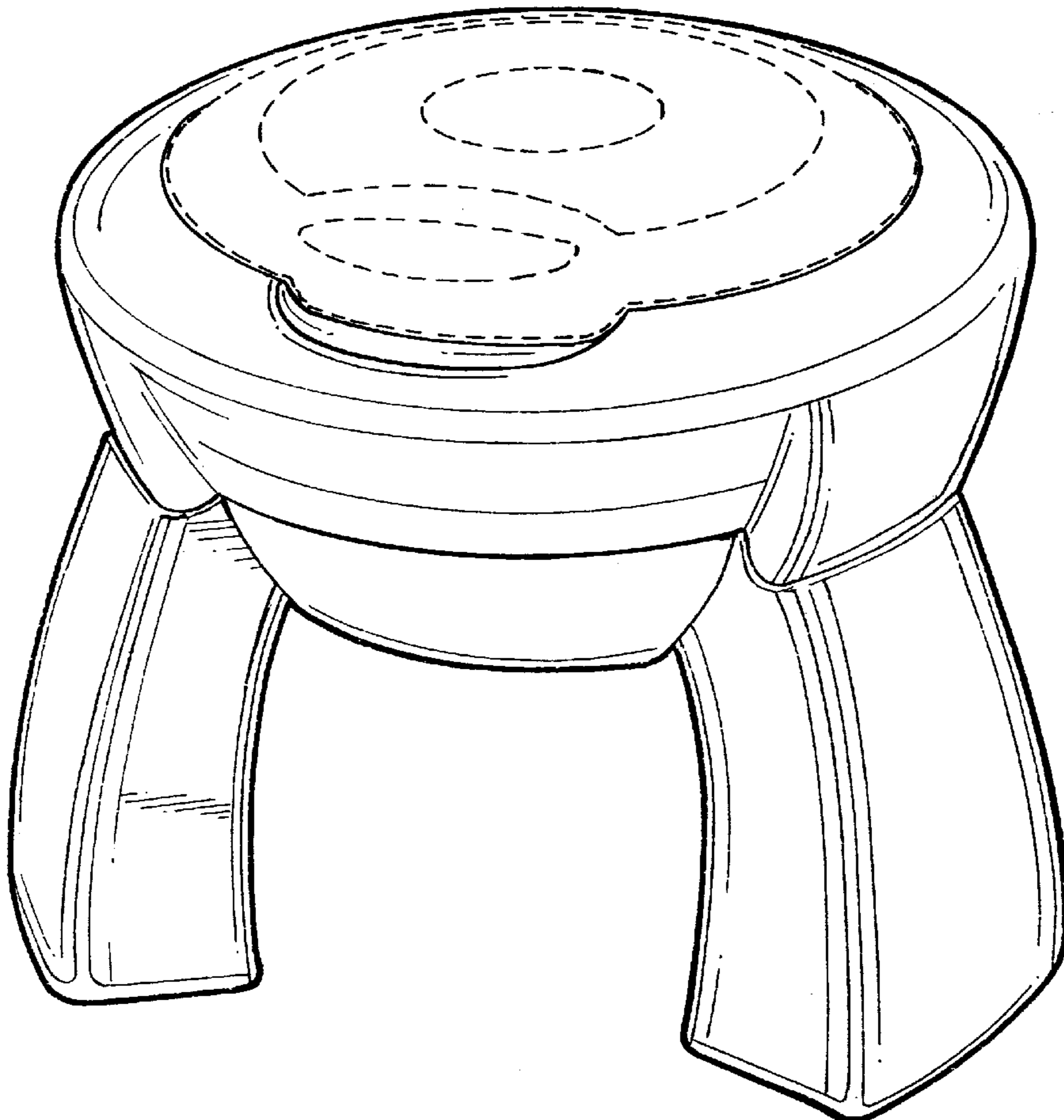
FIG. 2 is a side elevational view thereof, the two other side elevational views of the stand spaced at 120° intervals being substantially identical to FIG. 2 except for the locations of the recesses at the top of the stand;

FIG. 3 is a second perspective view thereof; and,

FIG. 4 is a top plan view thereof.

The broken line showing features associated with a top of the stand for a toy is for illustrative purposes only and forms no part of the claimed design. The bottom of the stand for a toy also forms no part of the claimed design.

1 Claim, 4 Drawing Sheets



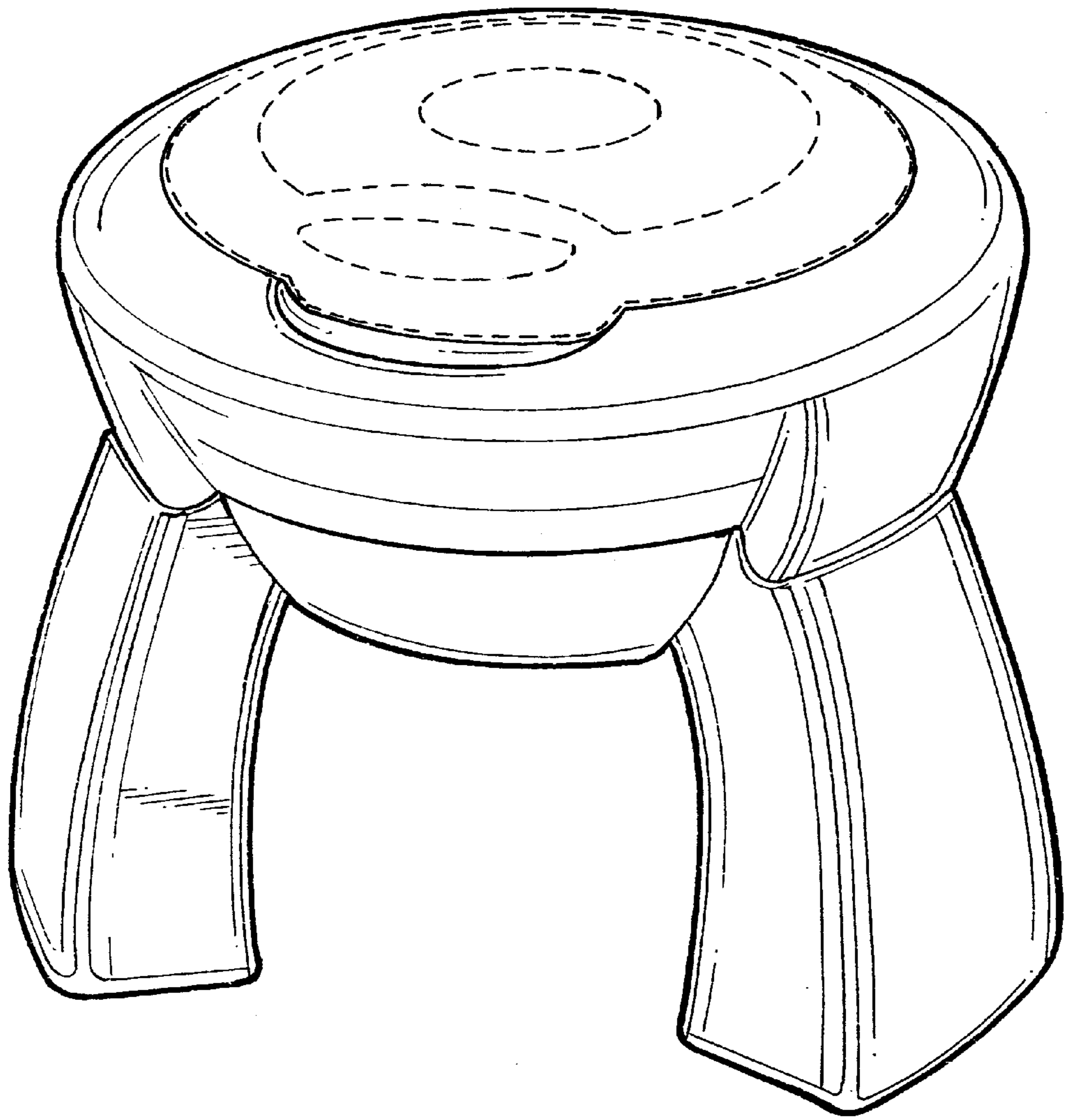


FIG. 1

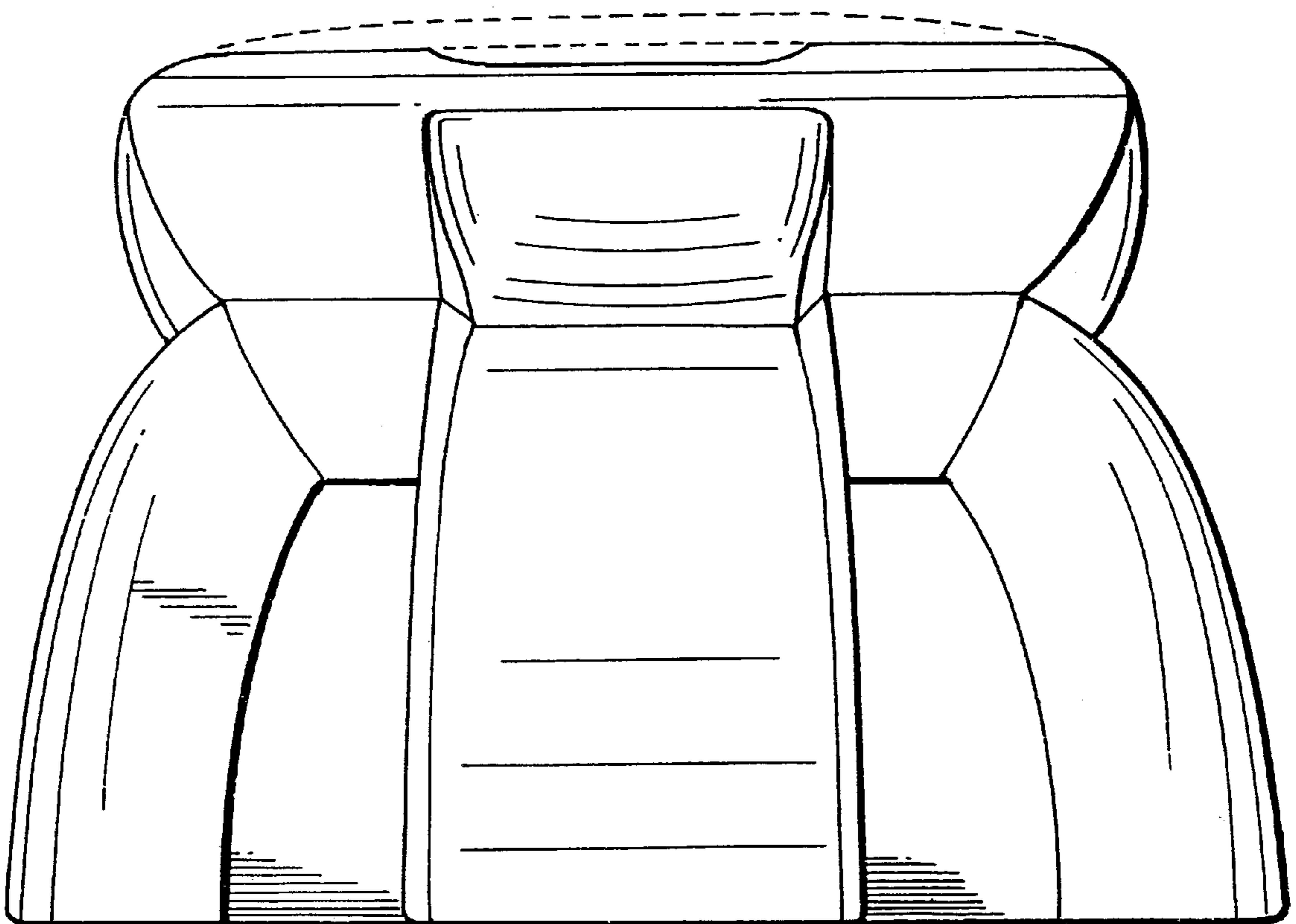


FIG. 2

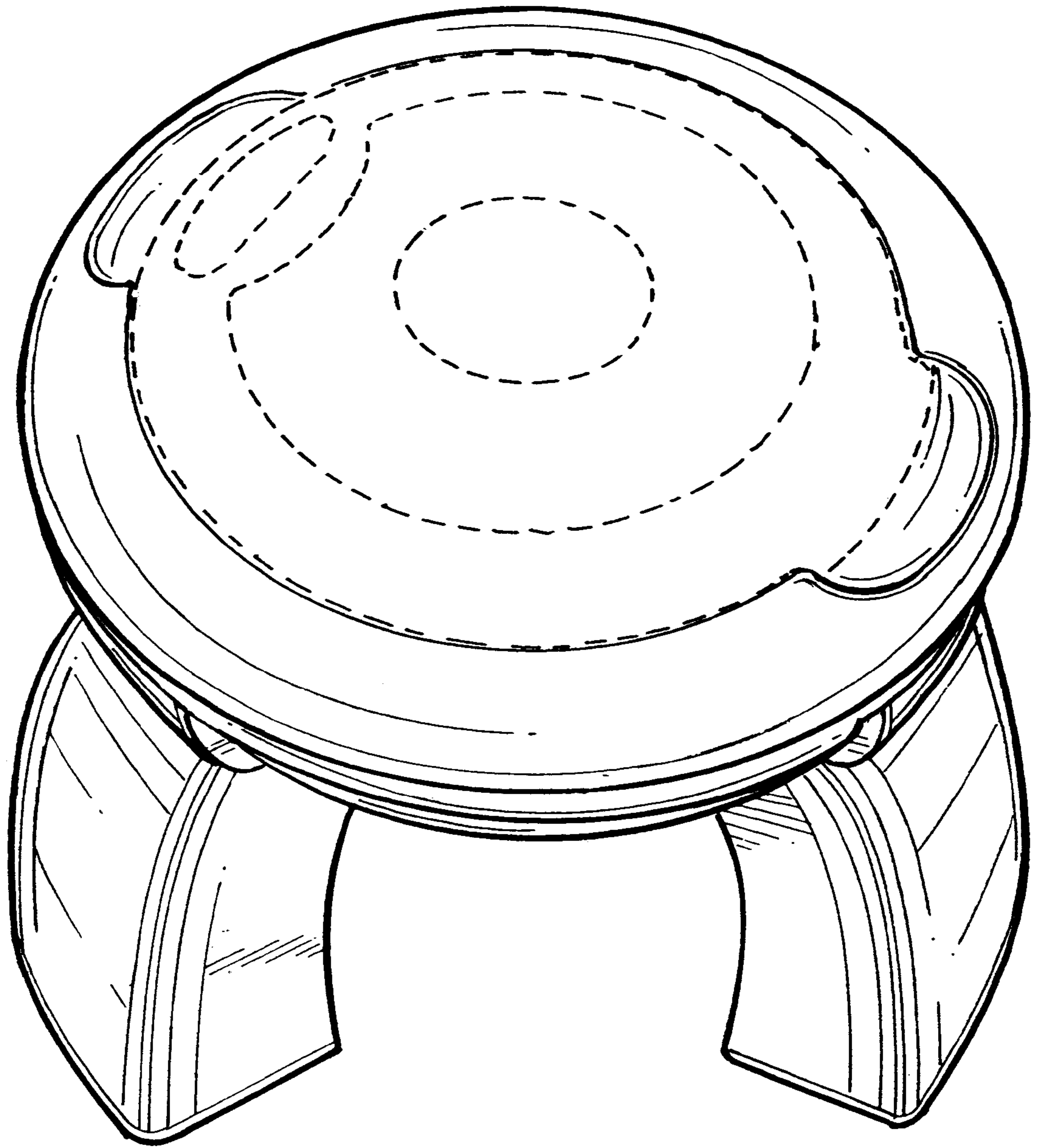


FIG. 3

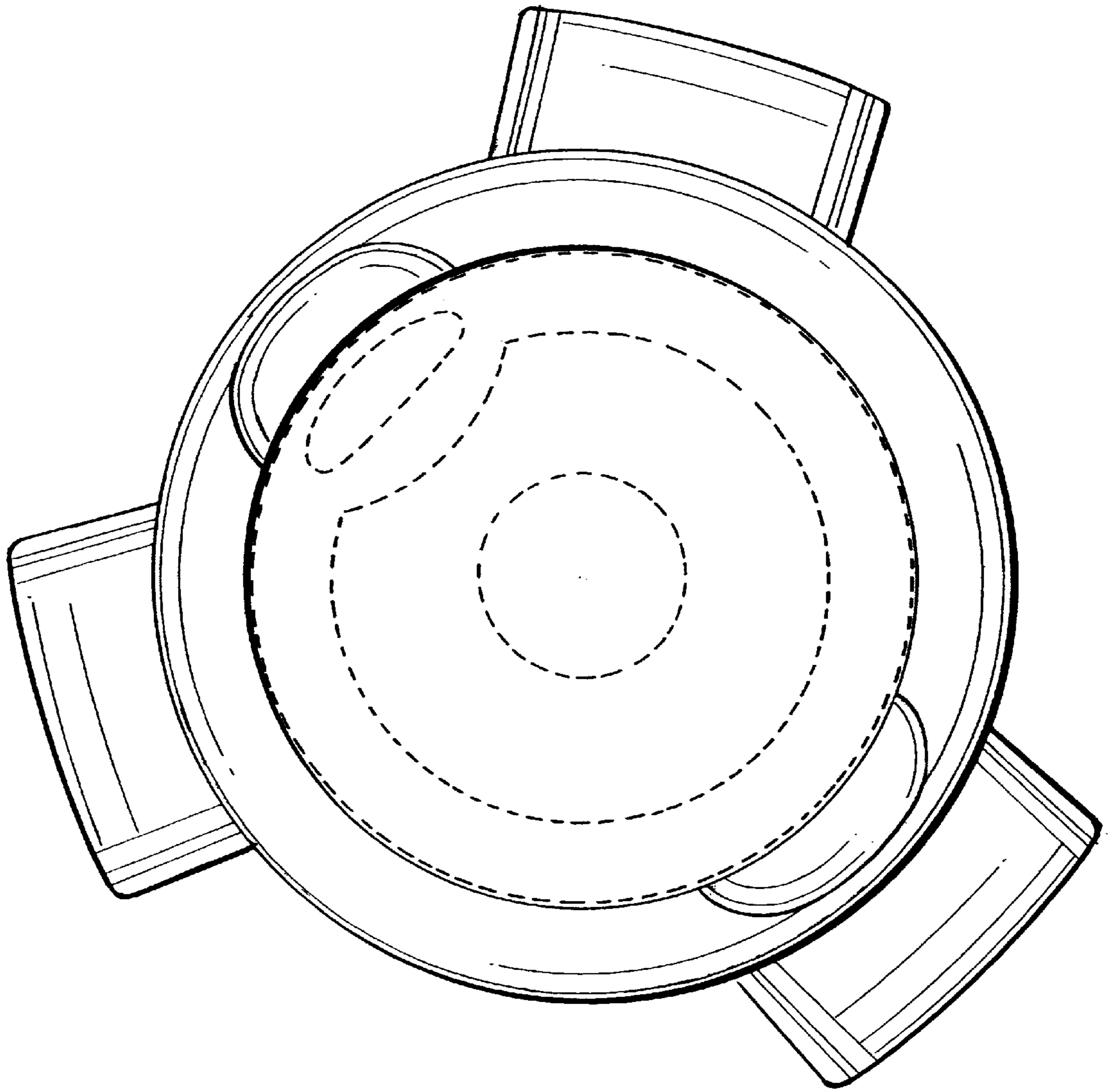


FIG. 4