



US00D449347B1

(12) **United States Design Patent**  
**Christianson**

(10) **Patent No.:** **US D449,347 S**

(45) **Date of Patent:** **\*\* Oct. 16, 2001**

(54) **ROBOT CONTROLLER**

(75) Inventor: **Tristan M. Christianson**, San Francisco, CA (US)

(73) Assignee: **Sharper Image Corporation**, San Francisco, CA (US)

(\*\*) Term: **14 Years**

(21) Appl. No.: **29/130,887**

(22) Filed: **Oct. 10, 2000**

(51) **LOC (7) Cl.** ..... **21-01**

(52) **U.S. Cl.** ..... **D21/329**

(58) **Field of Search** ..... D21/324, 329,  
D21/333, 566; D14/400, 401, 454, 137,  
138; 273/148 B; 463/1, 2, 6, 29-35, 46,  
47; 446/454, 455, 456, 175; 345/156-161,  
905; D13/168

(56) **References Cited**

**U.S. PATENT DOCUMENTS**

D. 338,045	*	8/1993	Rosen	.....	D14/400
D. 344,553	*	2/1994	Arai	.....	D21/566
D. 374,694	*	10/1996	Arai	.....	D21/566
D. 411,863	*	7/1999	Chan	.....	D21/329
D. 438,513		3/2001	Pinchuk	.	
5,209,695	*	5/1993	Rothschild	.....	446/456
5,334,076	*	8/1994	Shinozuka	.....	446/456

5,661,632 \* 8/1997 Register ..... 345/905

5,672,108 \* 9/1997 Lam et al. .... 463/2

5,893,798 \* 9/1998 Stambolic et al. .... 463/46

**OTHER PUBLICATIONS**

U.S. application No. 09/397,339, filed Sep. 15, 1999, Taylor, et al.

The Sharper Image Apr. 1997 Catalog, pp. 71-73.

The Sharper Image Gift Catalog 2000 Catalog, p. 93.

\* cited by examiner

*Primary Examiner*—Prabhakar Deshmukh

(74) *Attorney, Agent, or Firm*—Fliesler Dubb Meyer & Lovejoy LLP

(57) **CLAIM**

The ornamental design for robot controller, as shown and described.

**DESCRIPTION**

FIG. 1 is a right front perspective view thereof;

FIG. 2 is a top rear perspective view thereof;

FIG. 3 is a right side view thereof;

FIG. 4 is a left side view thereof;

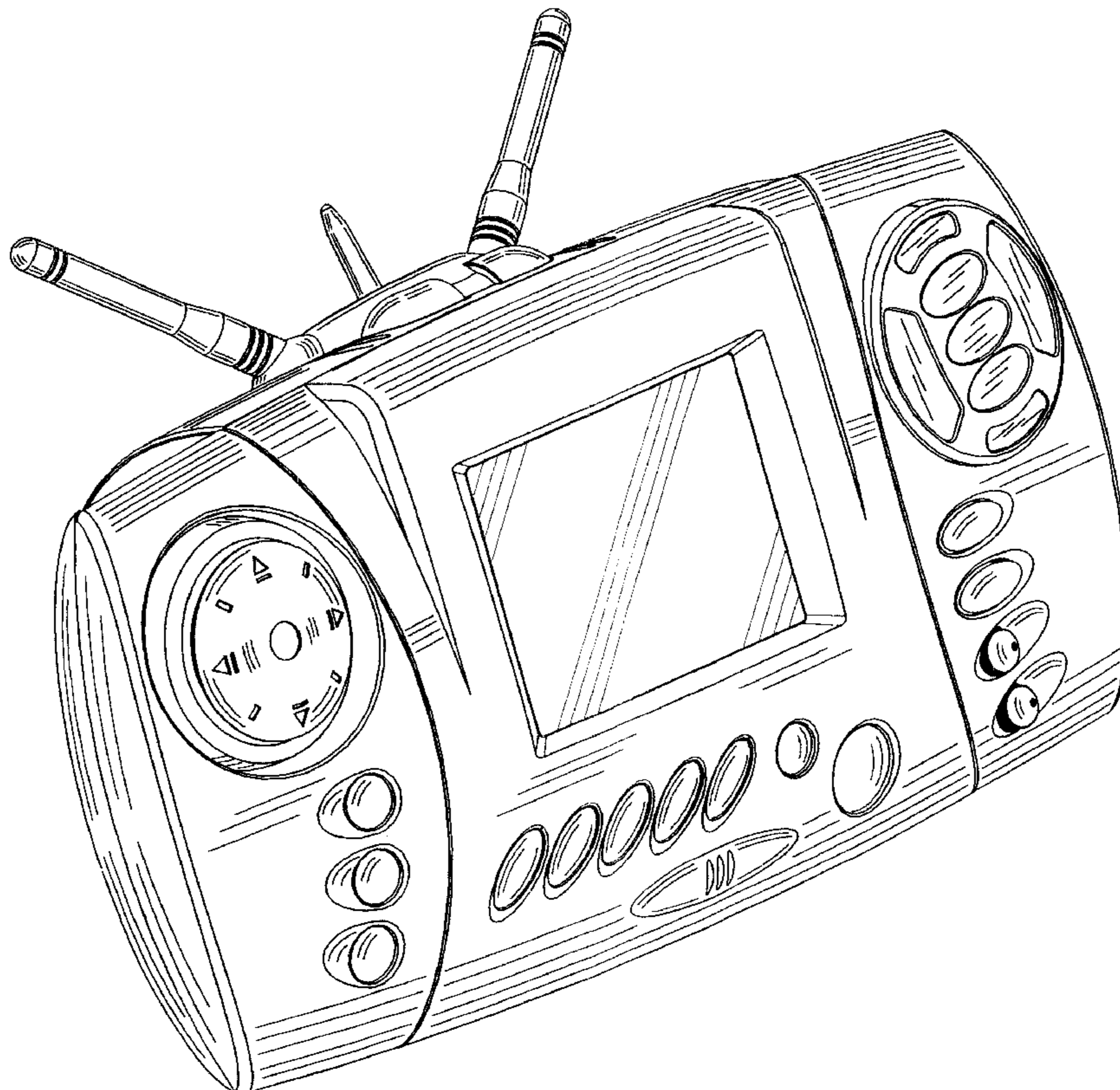
FIG. 5 is a top view thereof;

FIG. 6 is a bottom view thereof;

FIG. 7 is a front view thereof; and,

FIG. 8 is a rear view thereof.

**1 Claim, 7 Drawing Sheets**



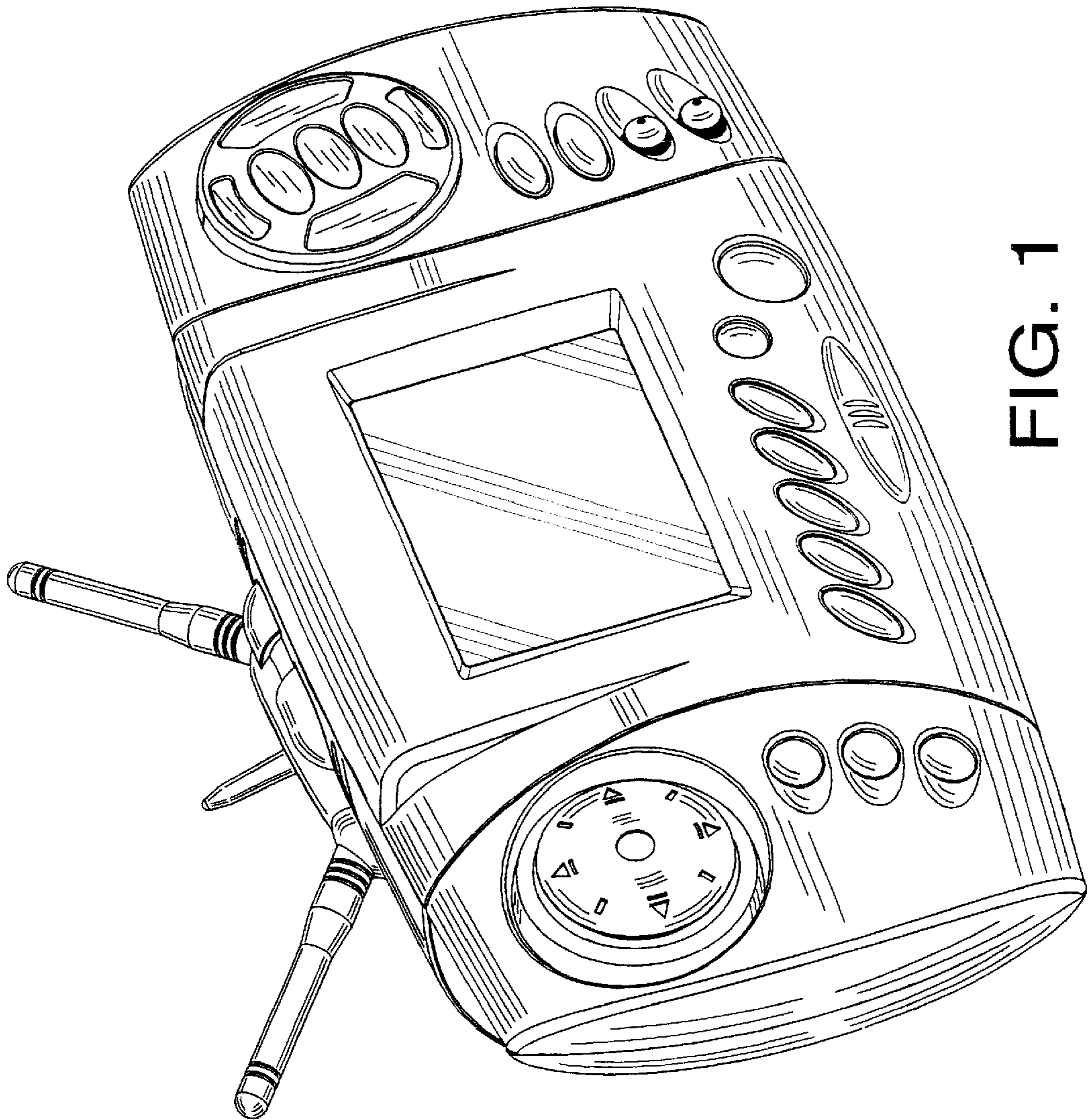


FIG. 1

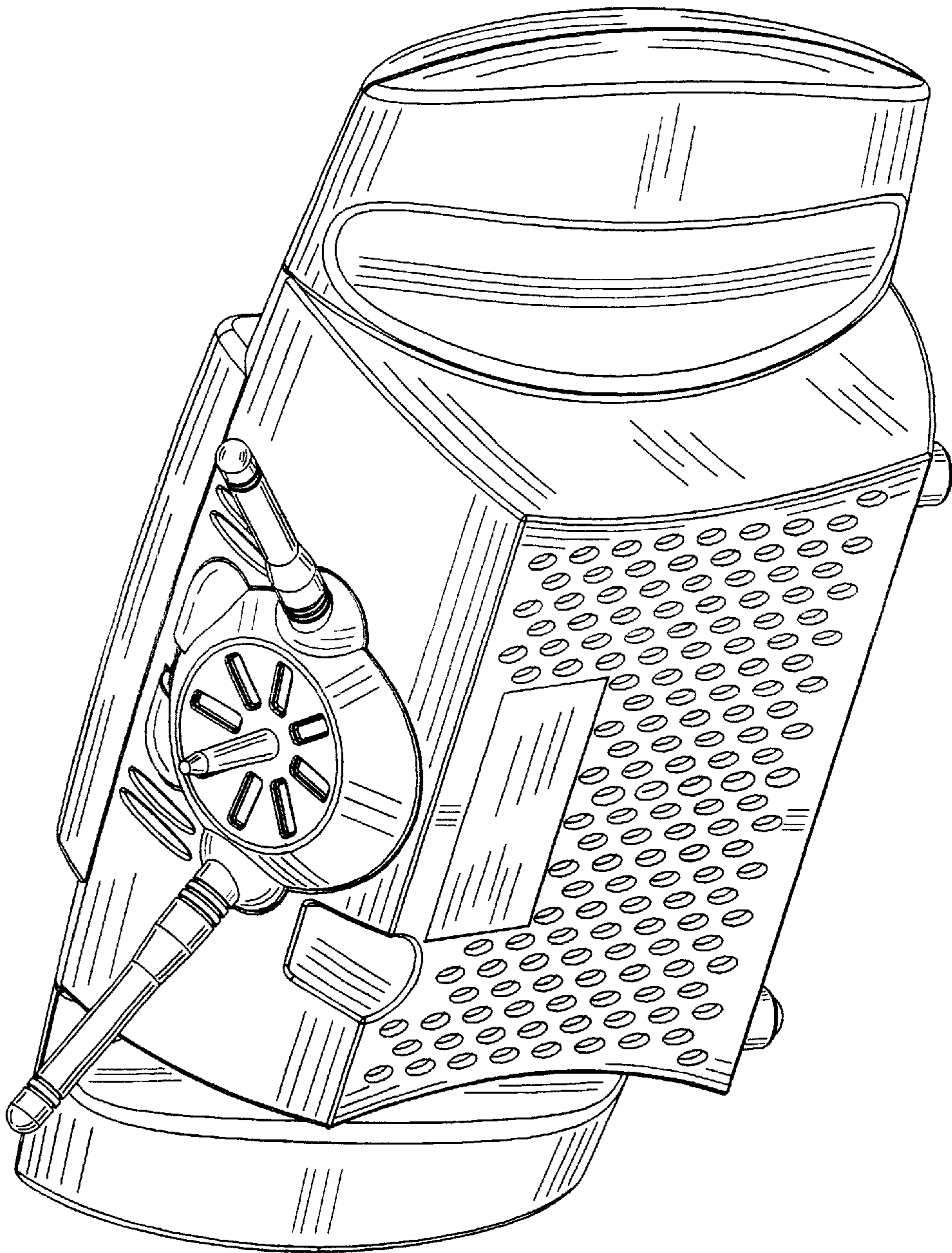


FIG. 2

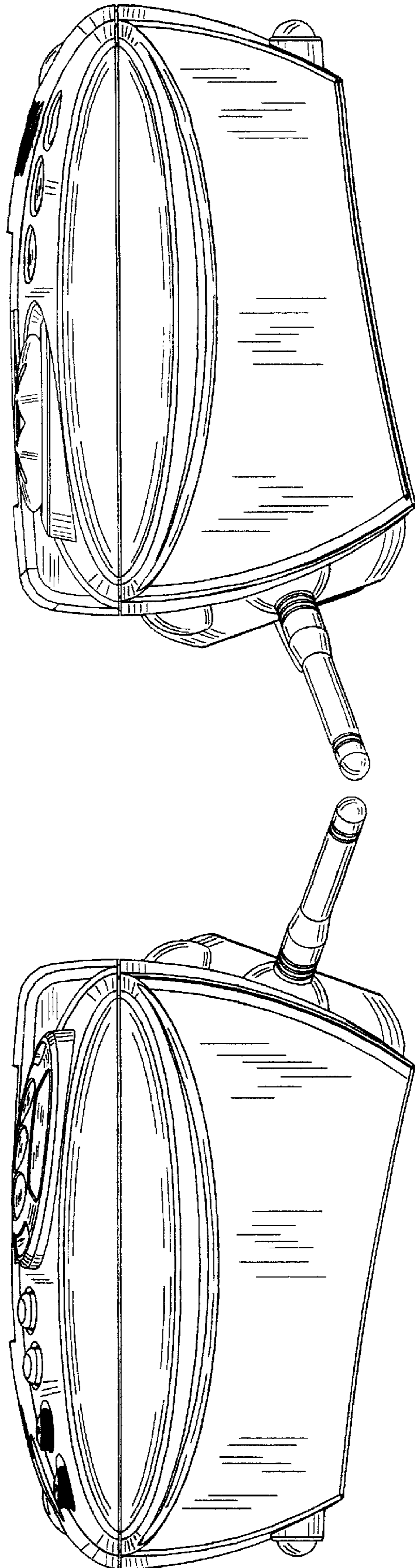


FIG. 4

FIG. 3

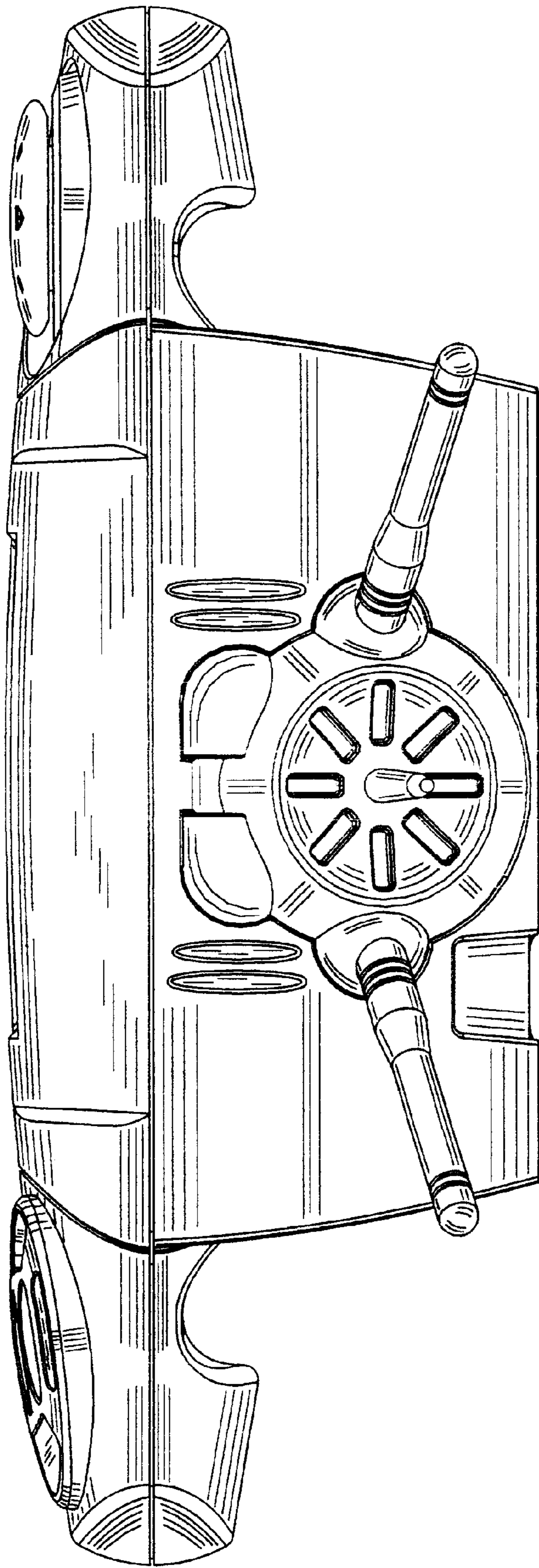


FIG. 5

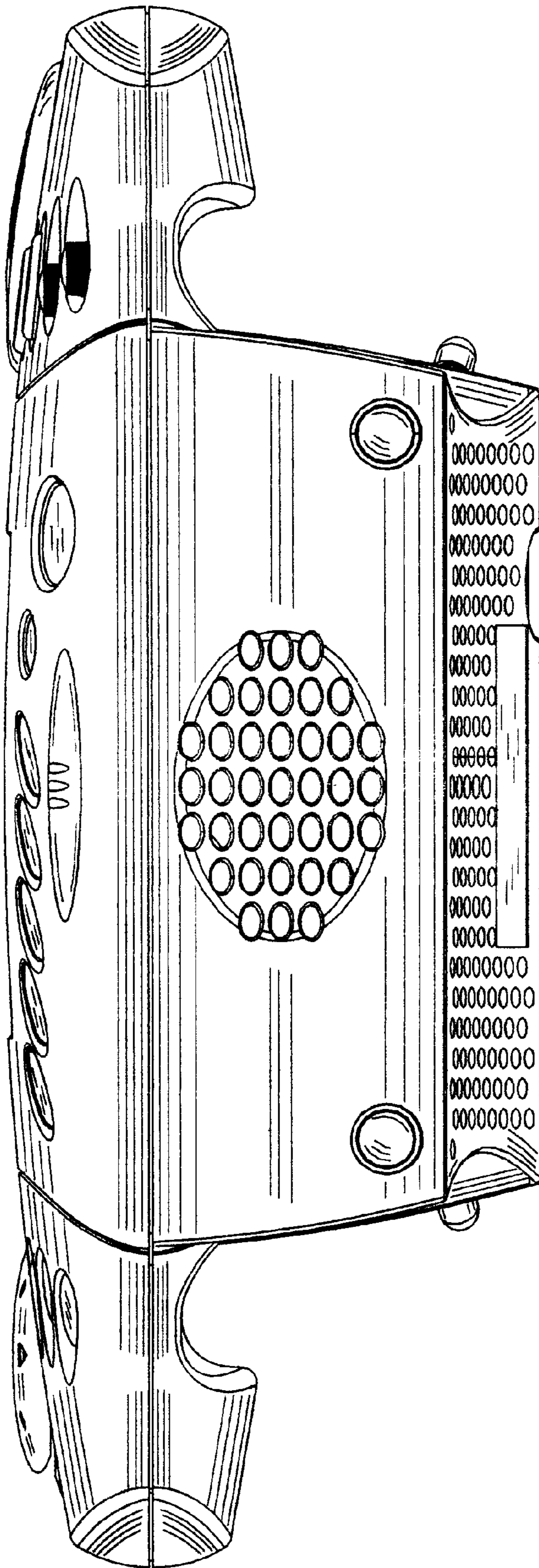


FIG. 6

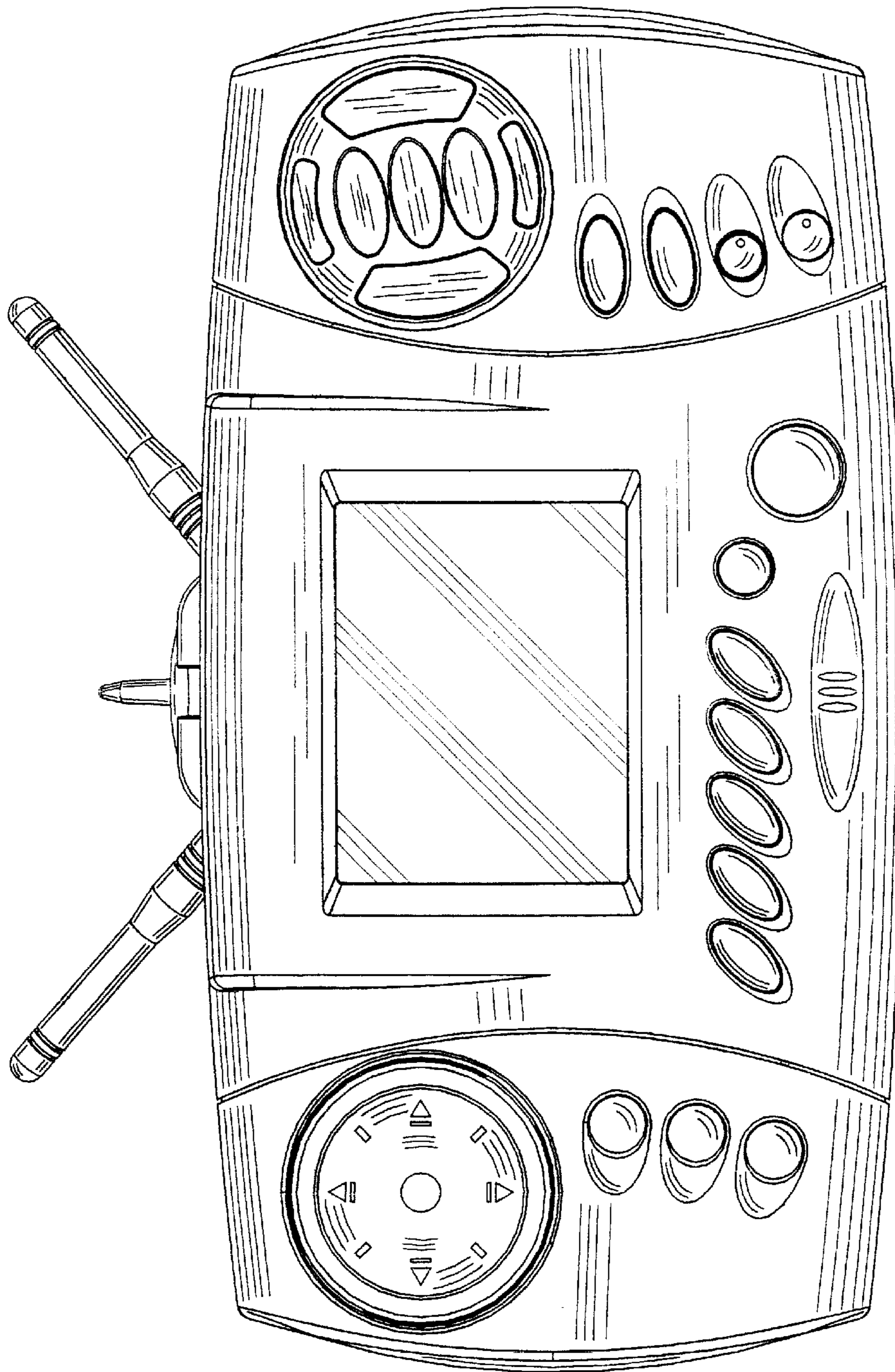


FIG. 7

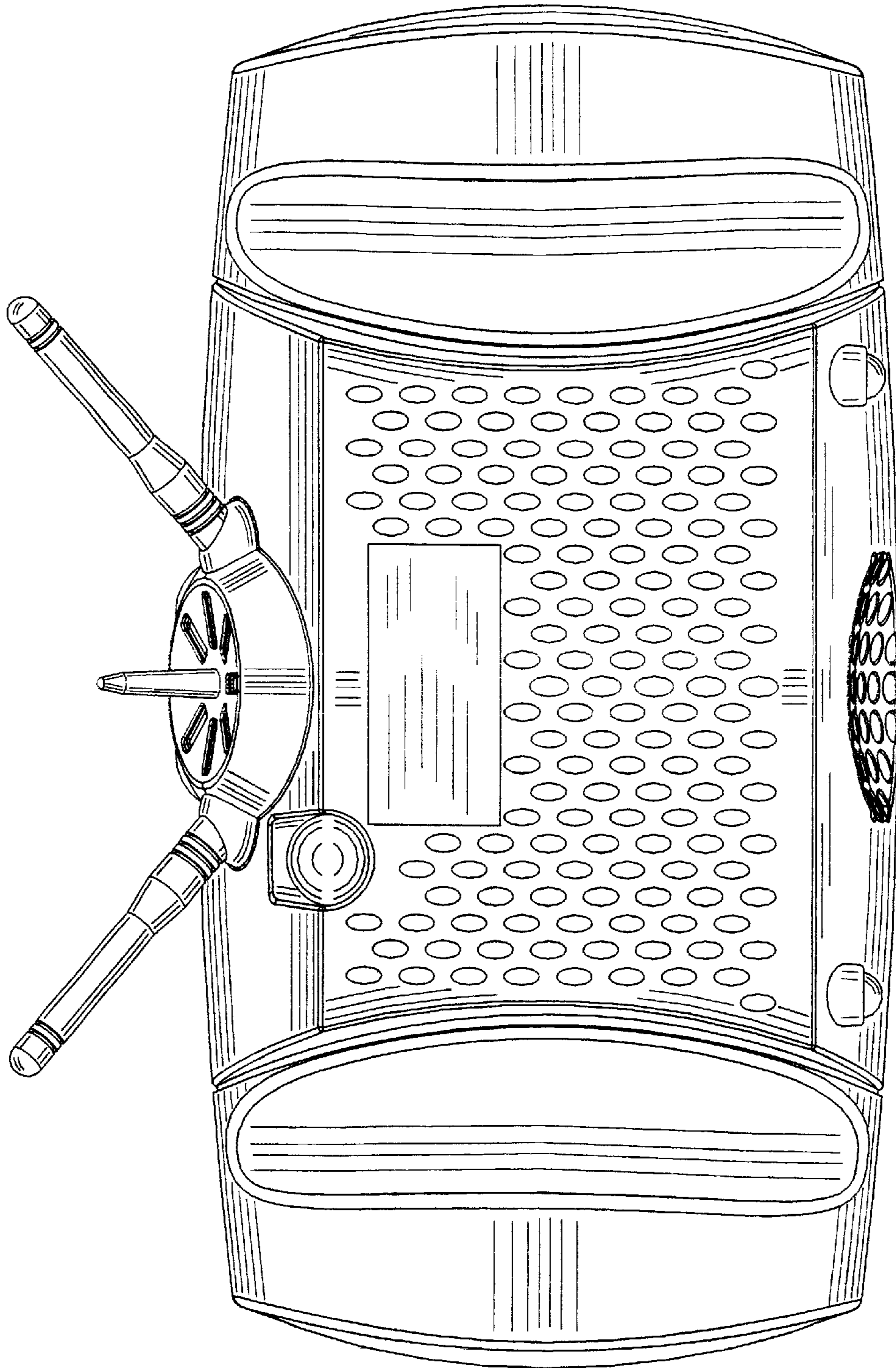


FIG. 8