



US00D449343B1

(12) **United States Design Patent**
Chang

(10) **Patent No.:** **US D449,343 S**

(45) **Date of Patent:** **** Oct. 16, 2001**

(54) **SHELF DEVICE FOR STATIONERY GOODS**

(76) Inventor: **Chun Yuan Chang**, P.O. Box 63-99,
Taichung (TW), 406

(**) Term: **14 Years**

(21) Appl. No.: **29/134,872**

(22) Filed: **Dec. 28, 2000**

(51) **LOC (7) Cl.** **19-06**

(52) **U.S. Cl.** **D19/77; D19/85**

(58) **Field of Search** **D19/35, 36, 65,**
D19/75, 77, 78, 81-85, 92, 95, 99, 100;
206/214, 224, 371; D7/641; 211/10, 163,
11, 13.1, 58, 69.1-69.9, 70, 126.1, 126.13,
126.14

(56) **References Cited**

U.S. PATENT DOCUMENTS

- D. 323,353 * 1/1992 Wagner D19/75
- D. 347,657 * 6/1994 Evenson D19/90
- D. 391,295 * 2/1998 Kocon et al. D19/77
- D. 407,753 * 4/1999 Kwok D19/77

- D. 418,947 * 1/2000 Greiner D28/73
- D. 428,624 * 7/2000 Kwok D19/77
- D. 432,577 * 10/2000 Yeh D19/77
- 4,991,712 * 2/1991 Wagner 206/214
- 5,224,594 * 7/1993 Hou 206/214
- 6,189,711 * 2/2001 Chang 211/163

* cited by examiner

Primary Examiner—Martie K. Holtje

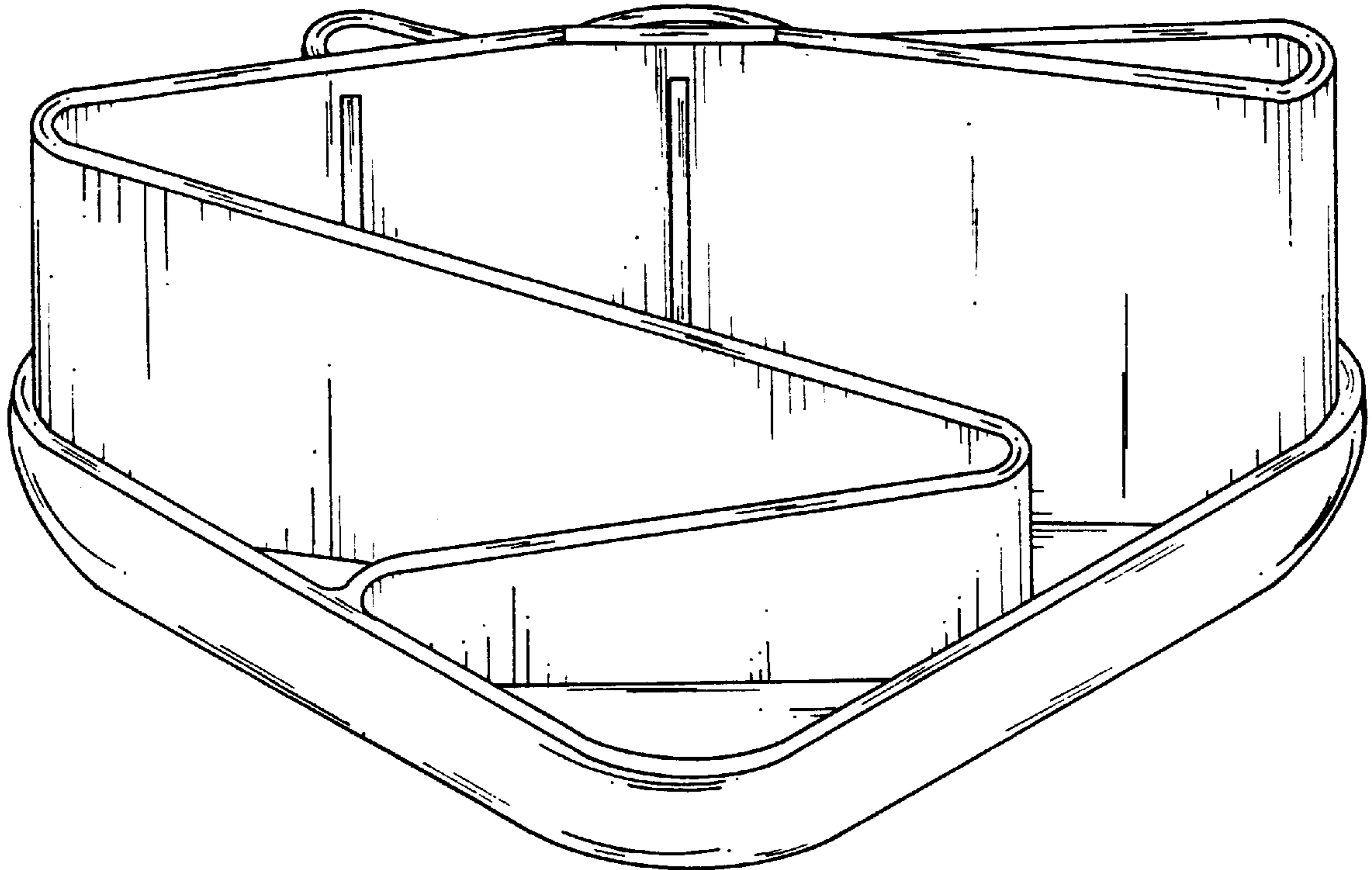
(57) **CLAIM**

The ornamental design for a shelf device for stationery goods, as shown and described.

DESCRIPTION

FIG. 1 is a perspective view of a shelf device for stationery goods showing my new design;
 FIG. 2 is a front elevational view thereof, the opposite end being identical in appearance;
 FIG. 3 is a top plan view thereof;
 FIG. 4 is a bottom plan view thereof; and,
 FIG. 5 is a left side elevational view thereof, the right side being identical in appearance.

1 Claim, 3 Drawing Sheets



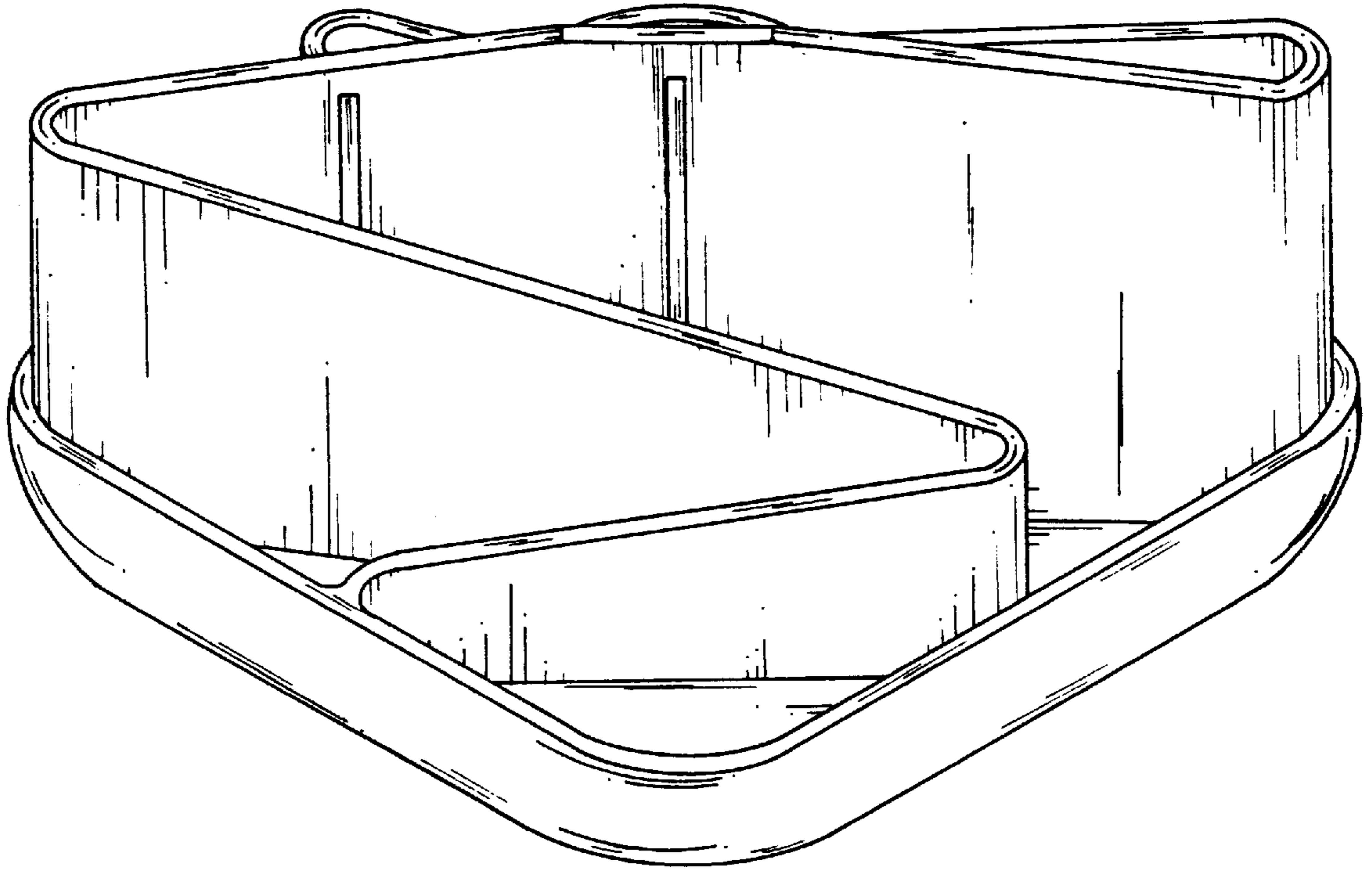


FIG. 1

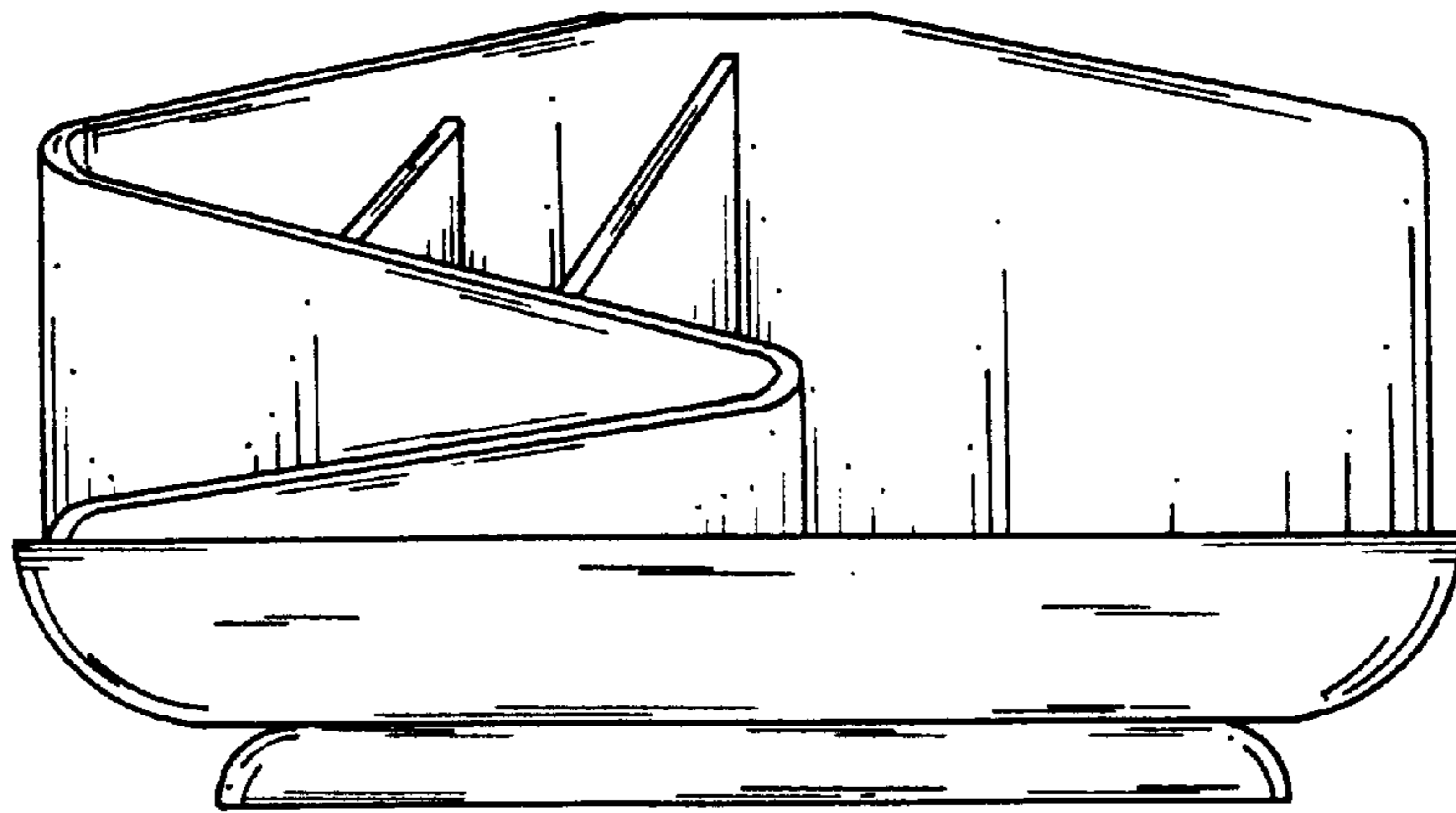


FIG. 2

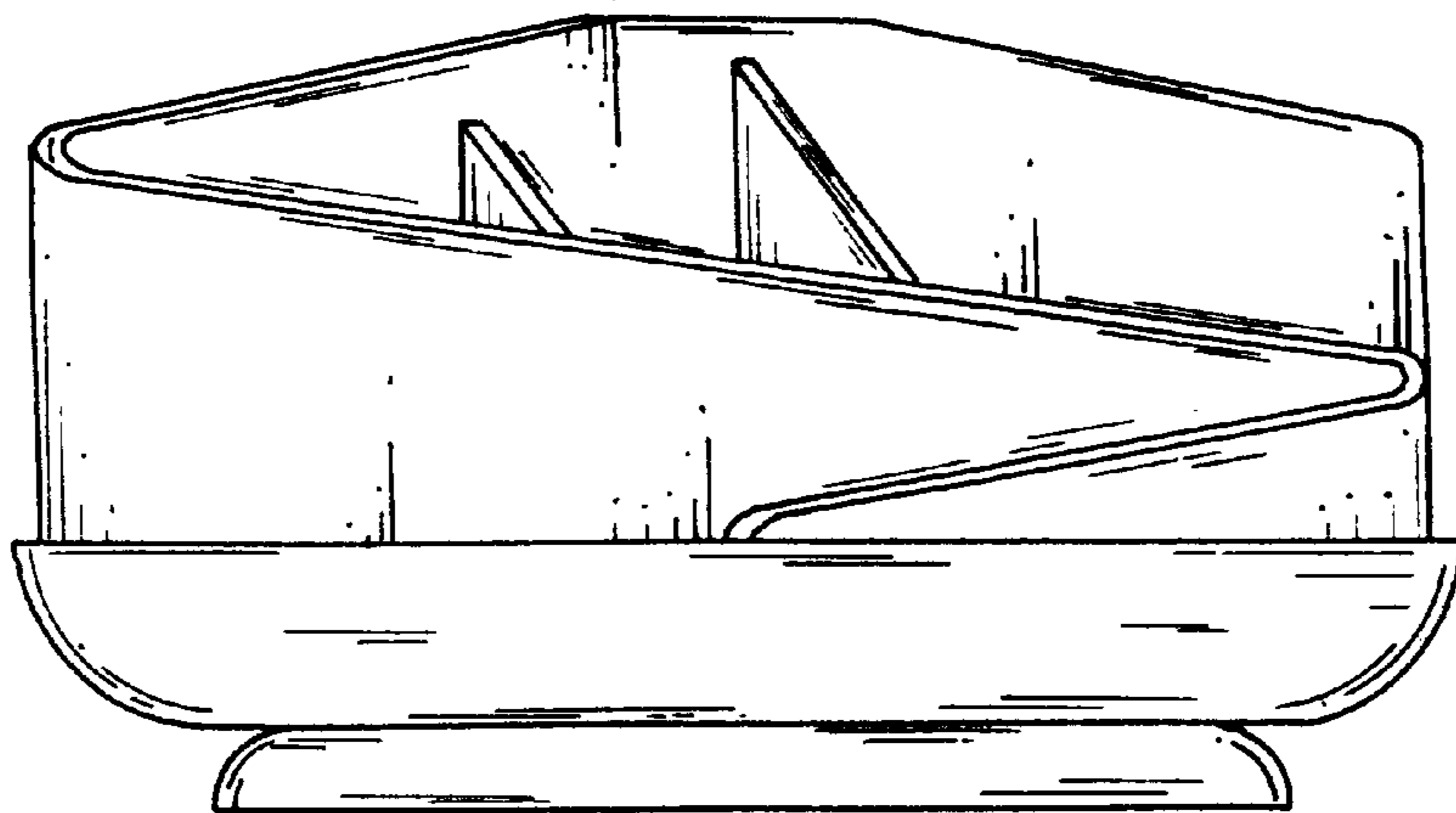


FIG. 5

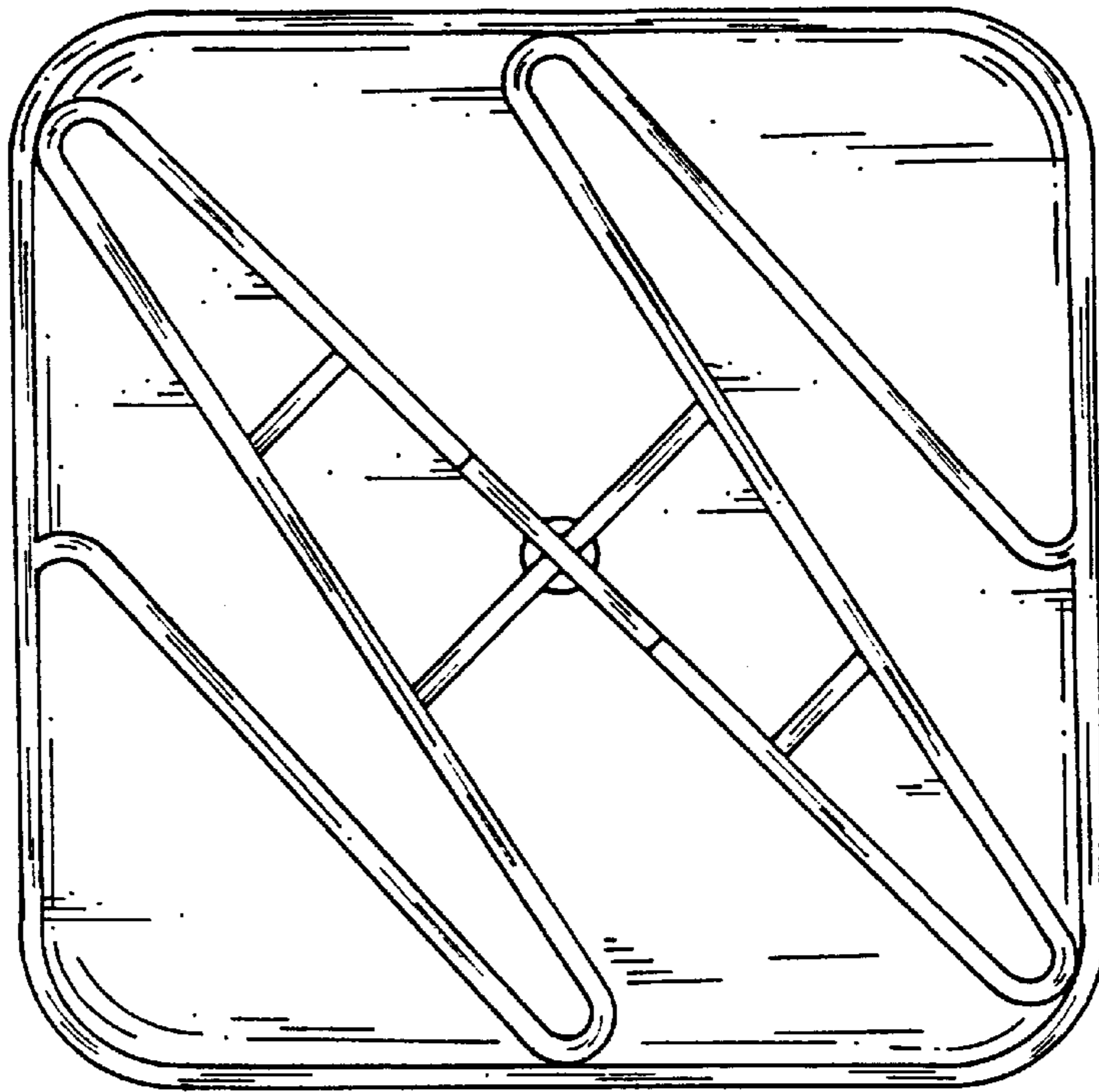


FIG. 3

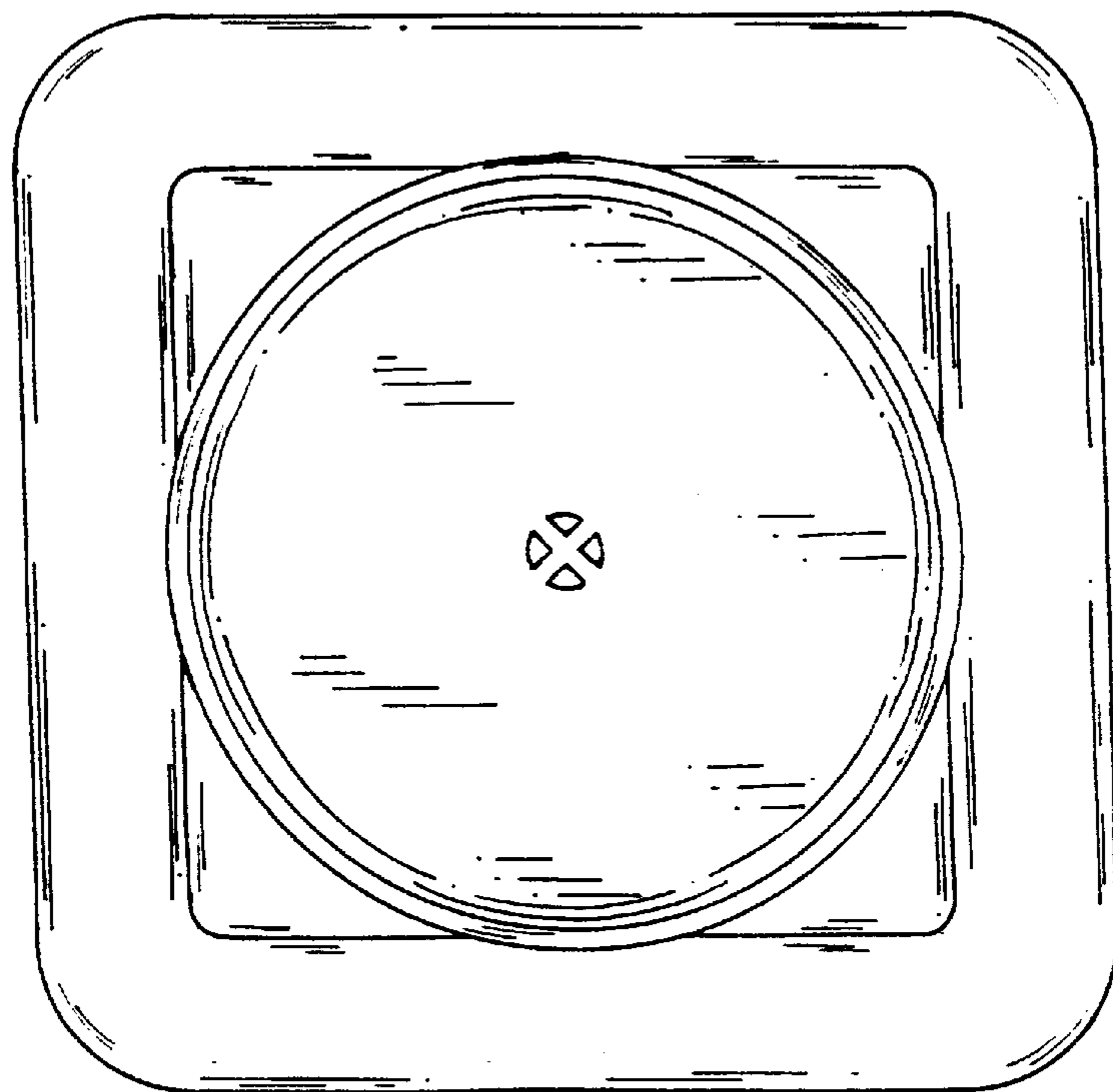


FIG. 4