



US00D449342B1

(12) **United States Design Patent**
Dutour

(10) **Patent No.:** **US D449,342 S**

(45) **Date of Patent:** **** Oct. 16, 2001**

(54) **PAPER CLIP HOLDER**

(76) Inventor: **Marie-Axele Dutour**, 9 S. Antigo Ct.,
Greer, SC (US) 29650

(**) Term: **14 Years**

(21) Appl. No.: **29/131,770**

(22) Filed: **Oct. 27, 2000**

(51) **LOC (7) Cl.** **19-02**

(52) **U.S. Cl.** **D19/75**

(58) **Field of Search** D6/512, 515, 518;
D19/65, 75, 77, 79, 93, 94, 95, 96, 97,
99, 100, 82; 40/358; 206/214, 224; 221/74,
152, 212, 312 C; D21/434, 552, 559

(56) **References Cited**

U.S. PATENT DOCUMENTS

- D. 77,620 * 1/1929 McGarrity D19/94
- D. 79,824 * 11/1929 Larrabee D19/94
- D. 86,302 * 2/1932 Decker D21/559
- D. 161,148 * 12/1950 Young D21/559
- D. 316,273 * 4/1991 Tsuji D19/75
- D. 341,624 11/1993 Evenson et al. .
- D. 348,079 6/1994 Bogen .

- D. 414,810 * 10/1999 Kwok D19/75
- D. 430,214 8/2000 Palmer .
- D. 435,594 * 12/2000 Polidoro D19/82
- 4,753,346 6/1988 Tsuji .
- 5,240,259 8/1993 O'Grady .

* cited by examiner

Primary Examiner—Gary D. Watson
Assistant Examiner—Elizabeth Albert

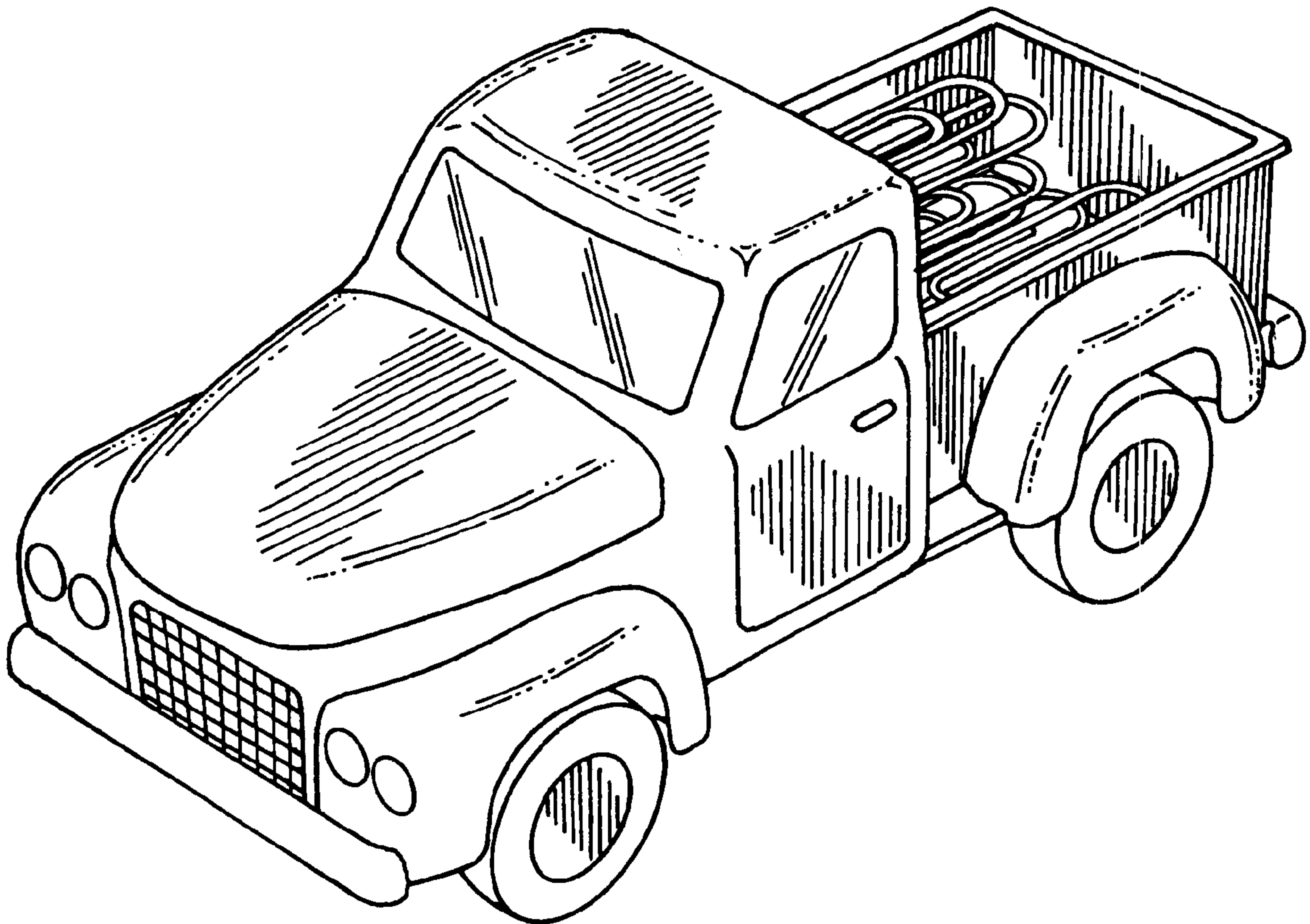
(57) **CLAIM**

The ornamental design for a paper clip holder, as shown and described.

DESCRIPTION

FIG. 1 is a front perspective view of a paper clip holder showing my new design;
FIG. 2 is a back perspective view thereof;
FIG. 3 is a top plan view thereof;
FIG. 4 is a left side elevational view thereof;
FIG. 5 is a right side elevational view thereof.
FIG. 6 is a bottom plan view thereof,
FIG. 7 is a front elevational view thereof; and,
FIG. 8 is a rear elevational view thereof.

1 Claim, 4 Drawing Sheets



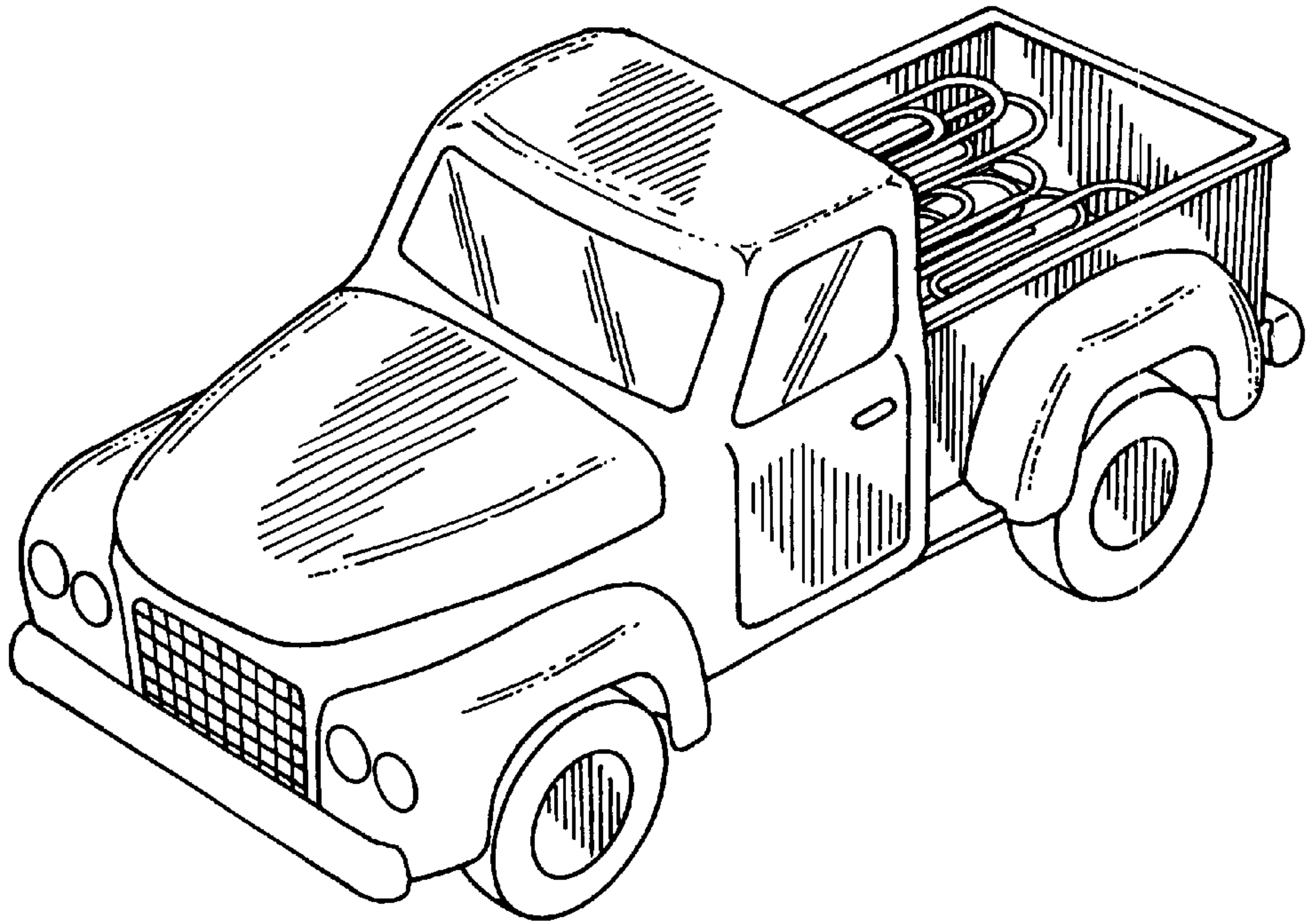


Fig. 1

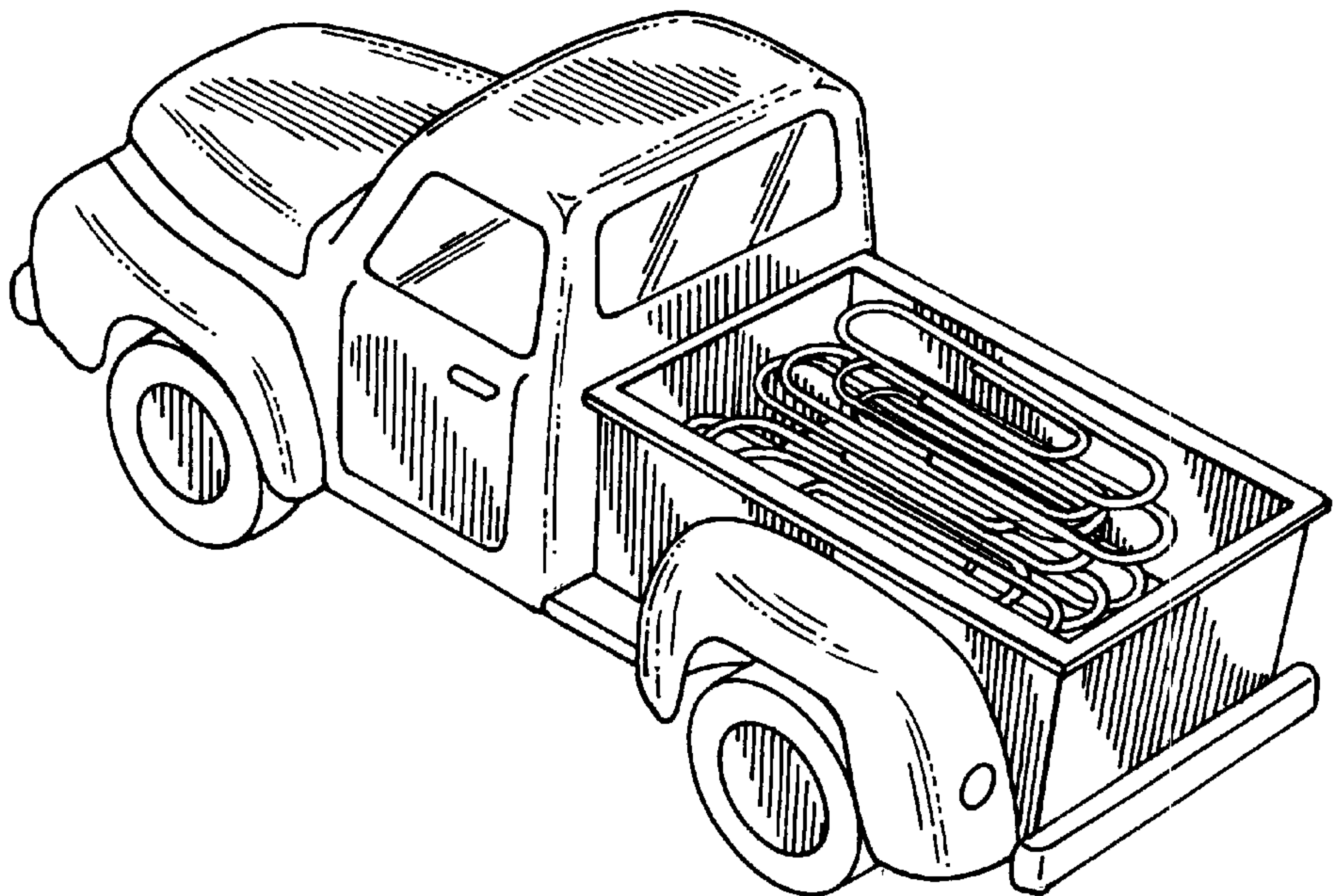


Fig. 2

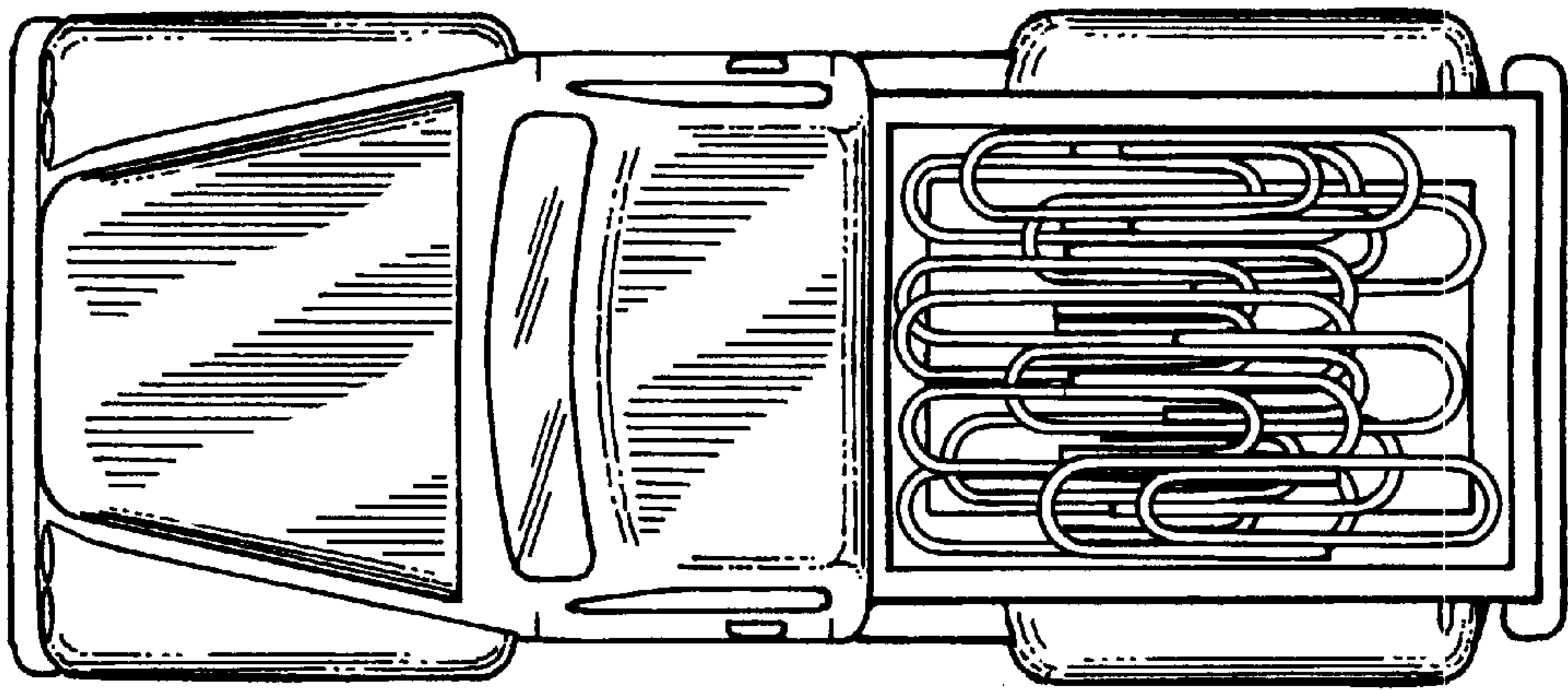


Fig. 3

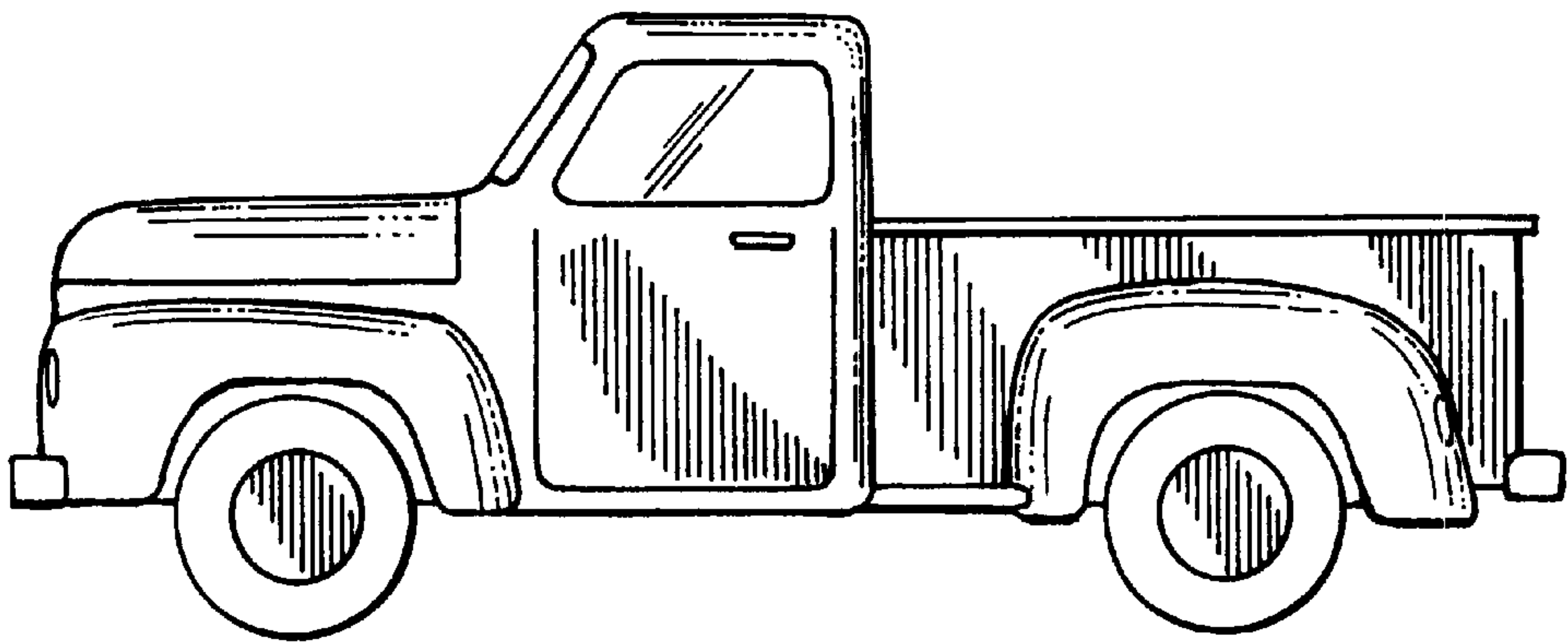


Fig. 4

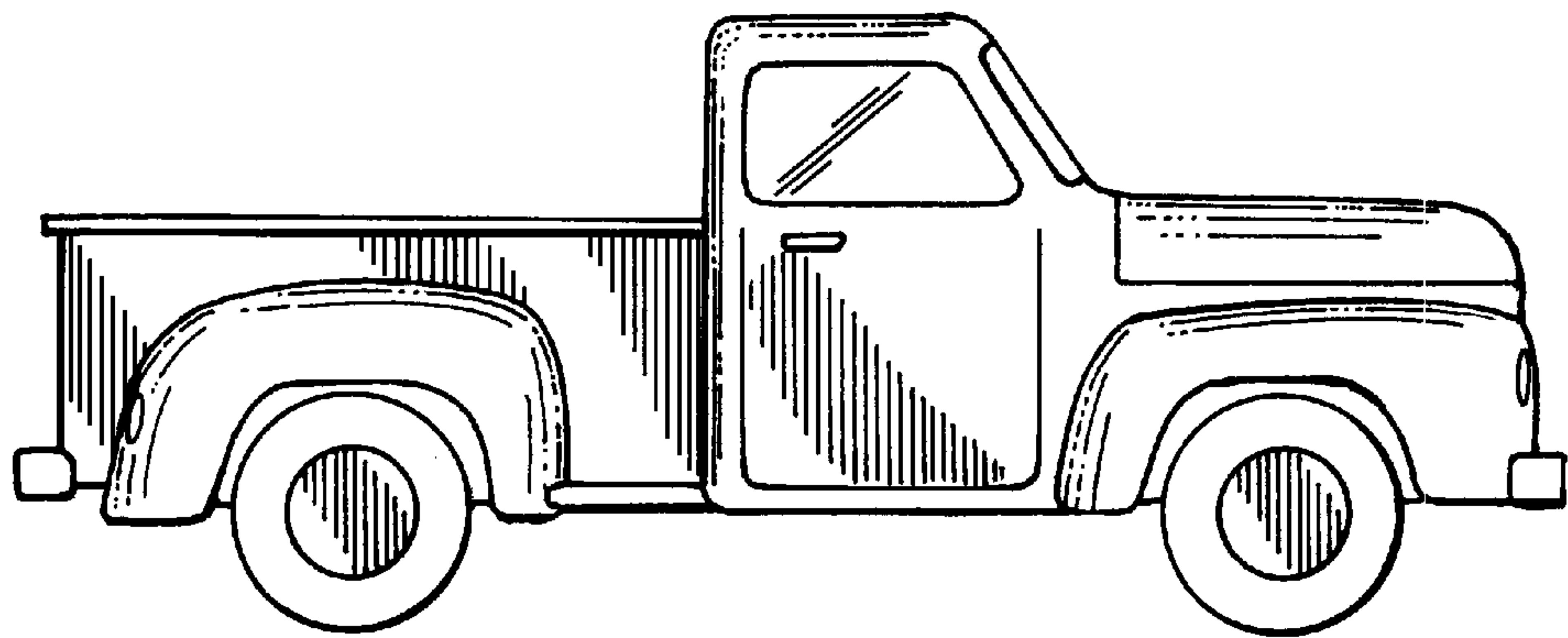


Fig. 5

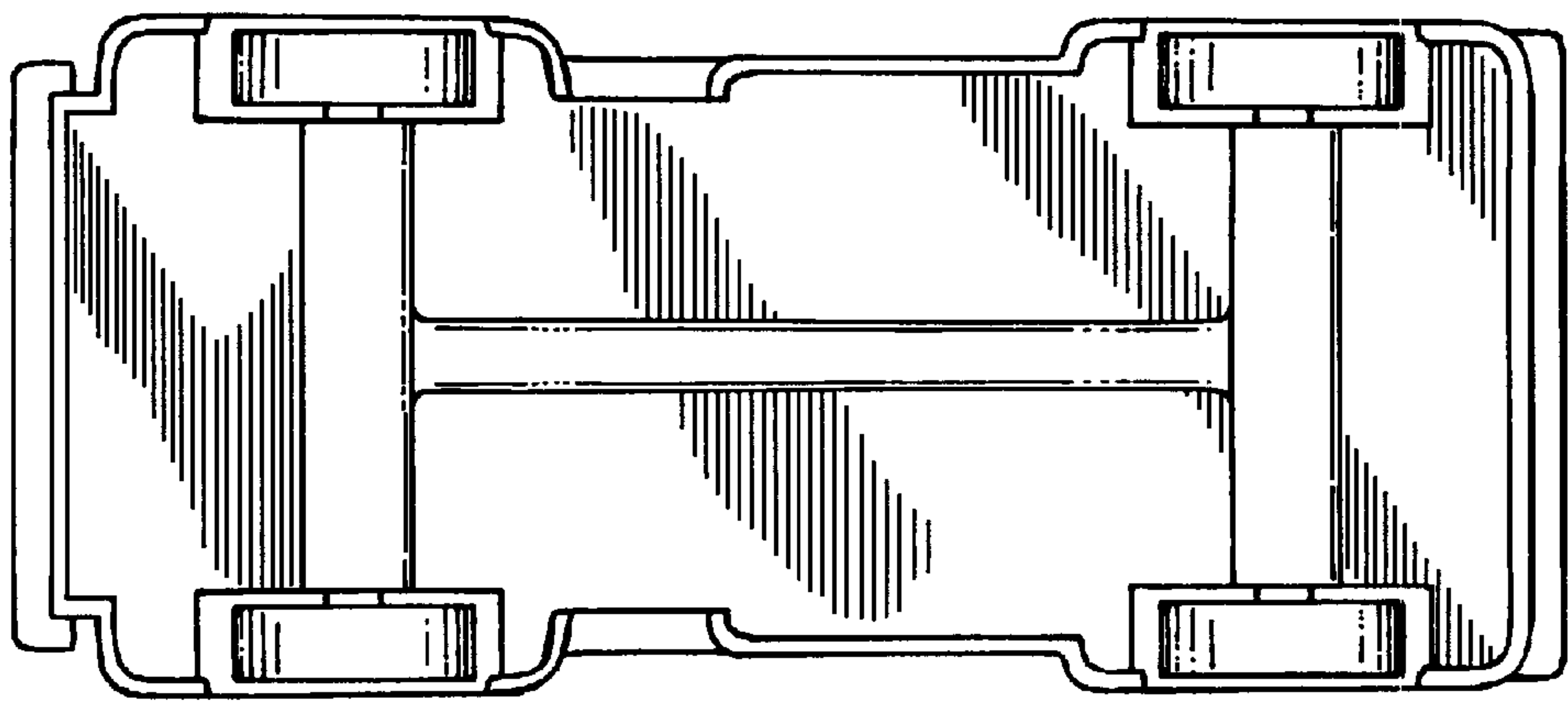


Fig. 6

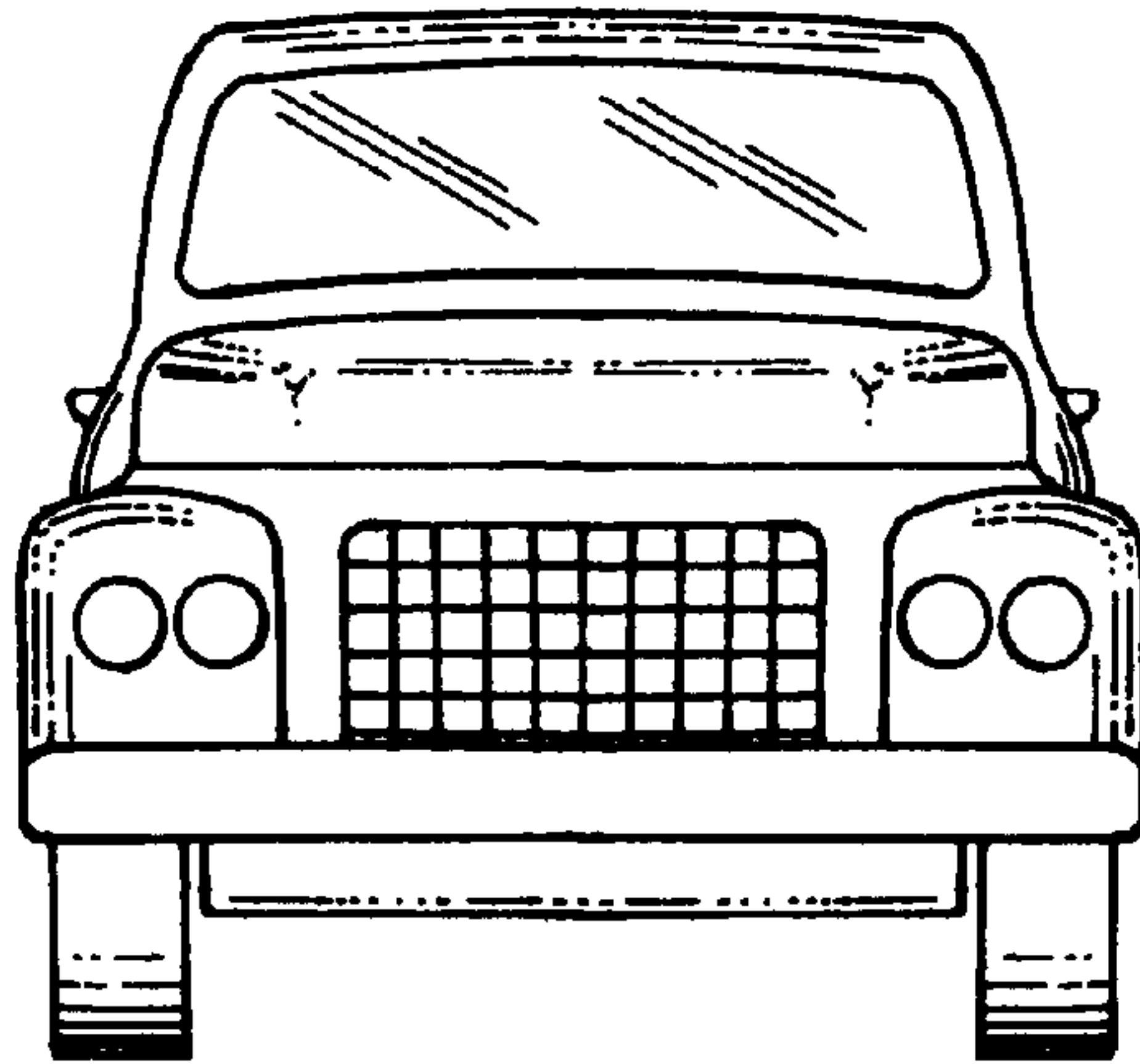


Fig. 7

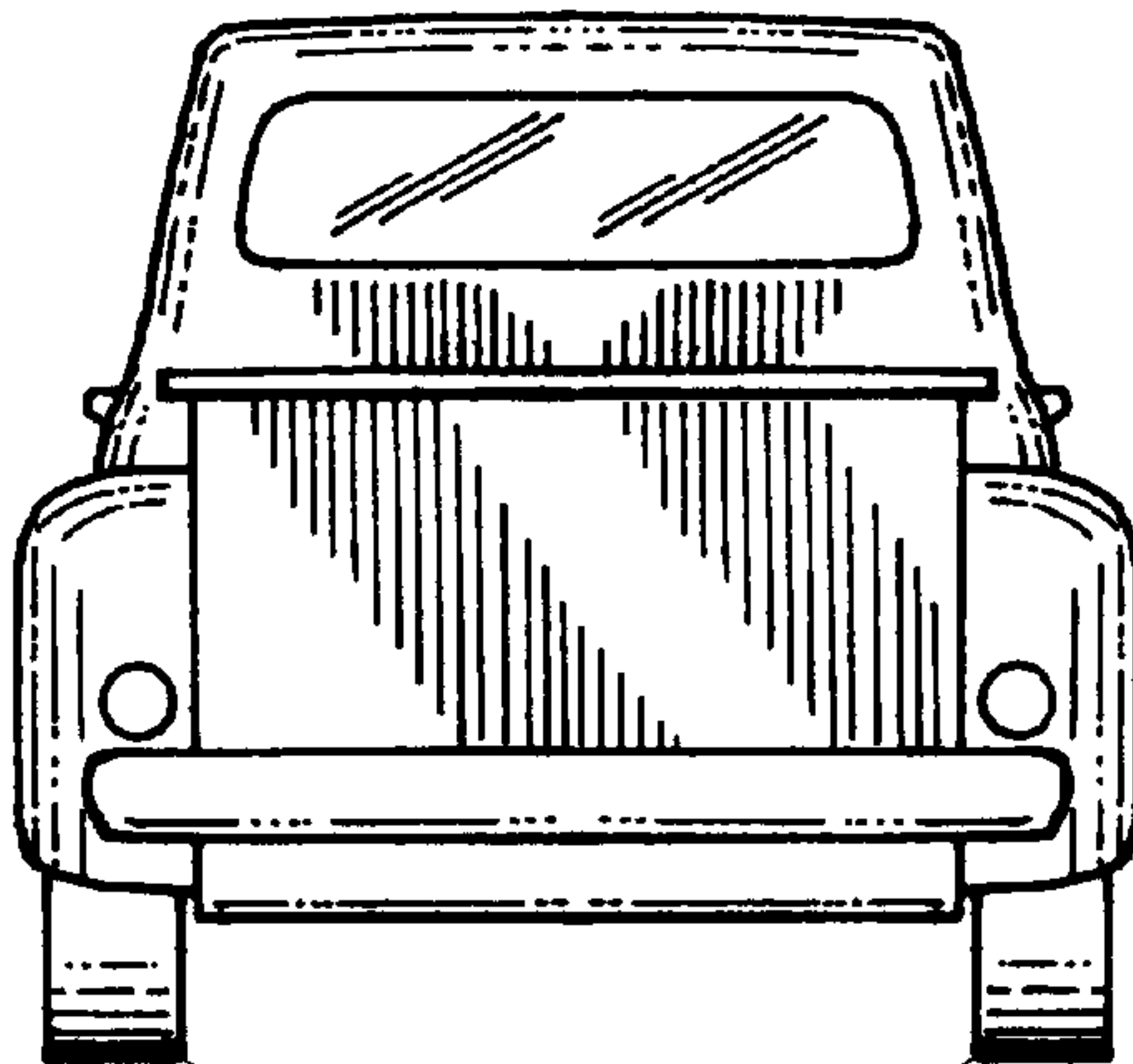


Fig. 8