



US00D449335B1

(12) **United States Design Patent**
Giles et al.

(10) **Patent No.:** **US D449,335 S**

(45) **Date of Patent:** **** Oct. 16, 2001**

(54) **DIGITAL PRINT HEAD**

(75) Inventors: **Christopher Michael Giles**, Suffolk;
Antony Lawrence, Essex, both of (GB)

(73) Assignee: **Neopost Limited**, Essex (GB)

(**) Term: **14 Years**

(21) Appl. No.: **29/122,544**

(22) Filed: **May 1, 2000**

(30) **Foreign Application Priority Data**

Oct. 29, 1999 (GB) 2087791

(51) **LOC (7) Cl.** **18-02**

(52) **U.S. Cl.** **D18/56; 347/86**

(58) **Field of Search** **D18/56; 347/86,**
347/87

(56) **References Cited**

U.S. PATENT DOCUMENTS

- Re. 36,279 * 8/1999 Ujita 347/86
- D. 279,581 * 7/1985 Juliana et al. D18/56
- D. 318,870 * 8/1991 Matsuoka D18/56
- D. 330,216 * 10/1992 Mitcham D18/56
- D. 338,235 * 8/1993 Komada et al. D18/56
- D. 347,241 * 5/1994 Watanabe et al. D18/56
- D. 356,333 * 3/1995 Pearce et al. D18/56
- D. 357,274 * 4/1995 Sato D18/56
- D. 361,343 * 8/1995 Kaplinsky et al. D18/56
- D. 373,381 * 9/1996 Altendorf et al. D18/56

- D. 389,179 * 1/1998 Uchiyama et al. D18/56
- D. 419,592 * 1/2000 Nakazawa et al. D18/56
- D. 419,593 * 1/2000 Shimizu et al. D18/56
- D. 423,566 * 4/2000 Hosono D18/56
- 4,679,058 * 7/1987 Hori 347/86
- 5,036,739 * 8/1991 Clar D18/56
- 5,156,472 * 10/1992 Suzuki et al. 347/86
- 5,467,118 * 11/1995 Gragg et al. 347/87
- 5,502,479 * 3/1996 Ishinaga et al. 347/87
- 5,557,310 * 9/1996 Kurata et al. 347/87
- 5,560,720 * 10/1996 Suzuki et al. 347/86
- 5,719,610 * 2/1998 Scheffelin 347/86
- 5,767,881 * 6/1998 Geissmann 347/86
- 5,992,988 * 11/1999 Haigo 347/86
- 6,137,513 * 10/2000 Pawlowski, Jr. et al. 347/86

* cited by examiner

Primary Examiner—Cathy Anne MacCormac

(74) *Attorney, Agent, or Firm*—Shoemaker and Mattare, Ltd.

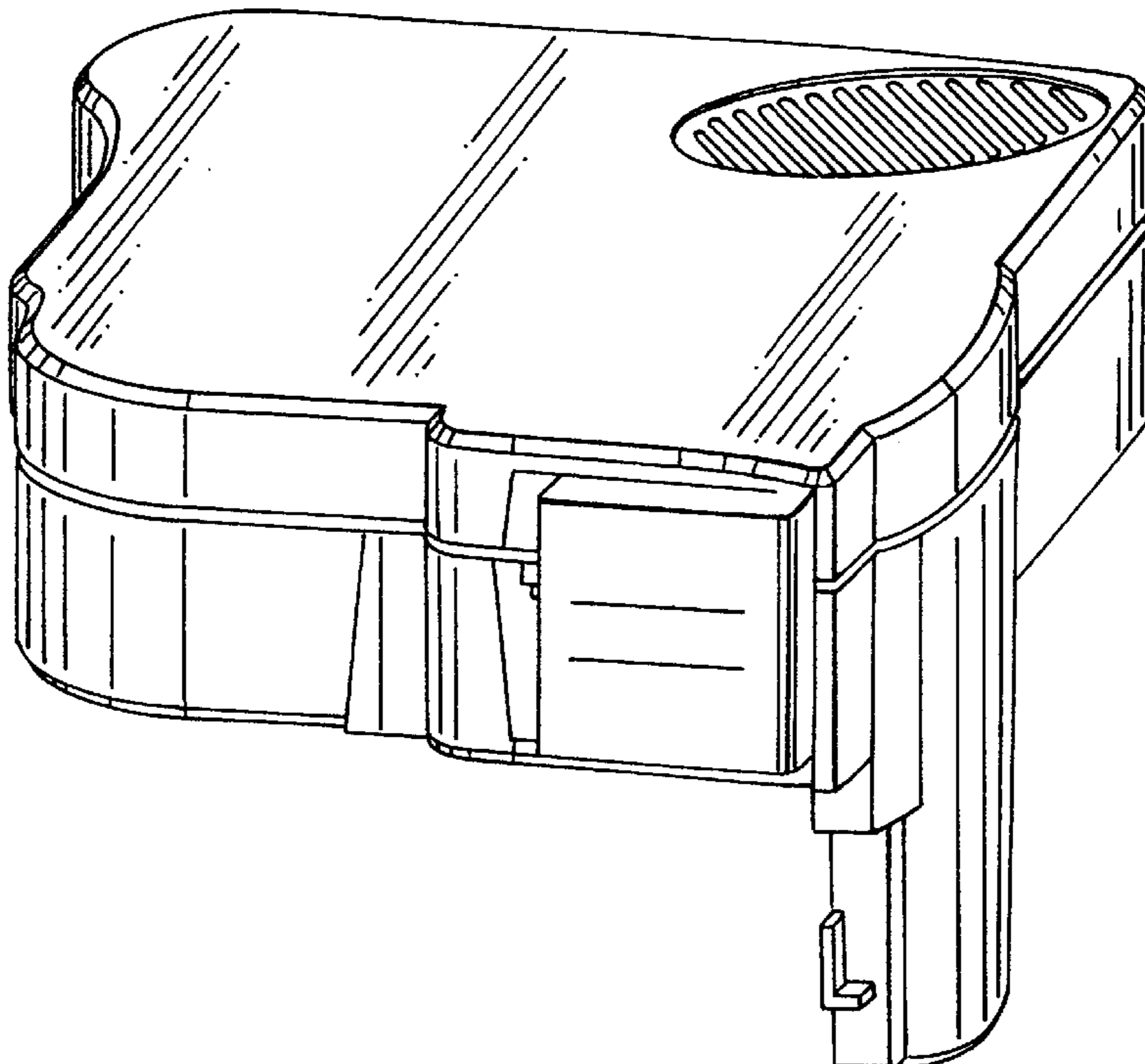
(57) **CLAIM**

The ornamental design for a digital print head, as shown and described.

DESCRIPTION

FIG. 1 is a top, front, and right side perspective view of a digital print head;
FIG. 2 is a bottom plan view thereof;
FIG. 3 is a left side view thereof; and,
FIG. 4 is a rear view thereof.

1 Claim, 4 Drawing Sheets



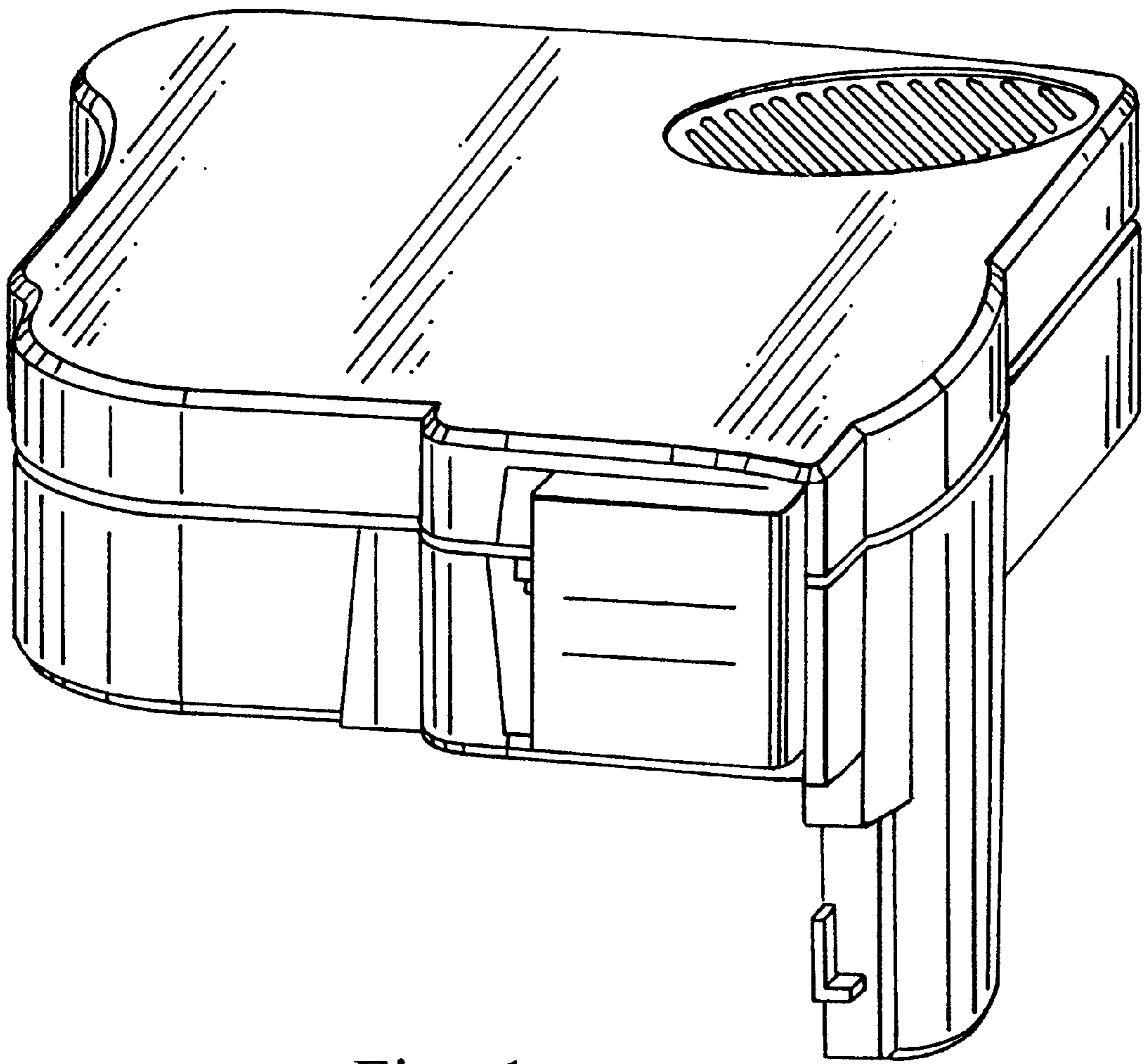


Fig. 1

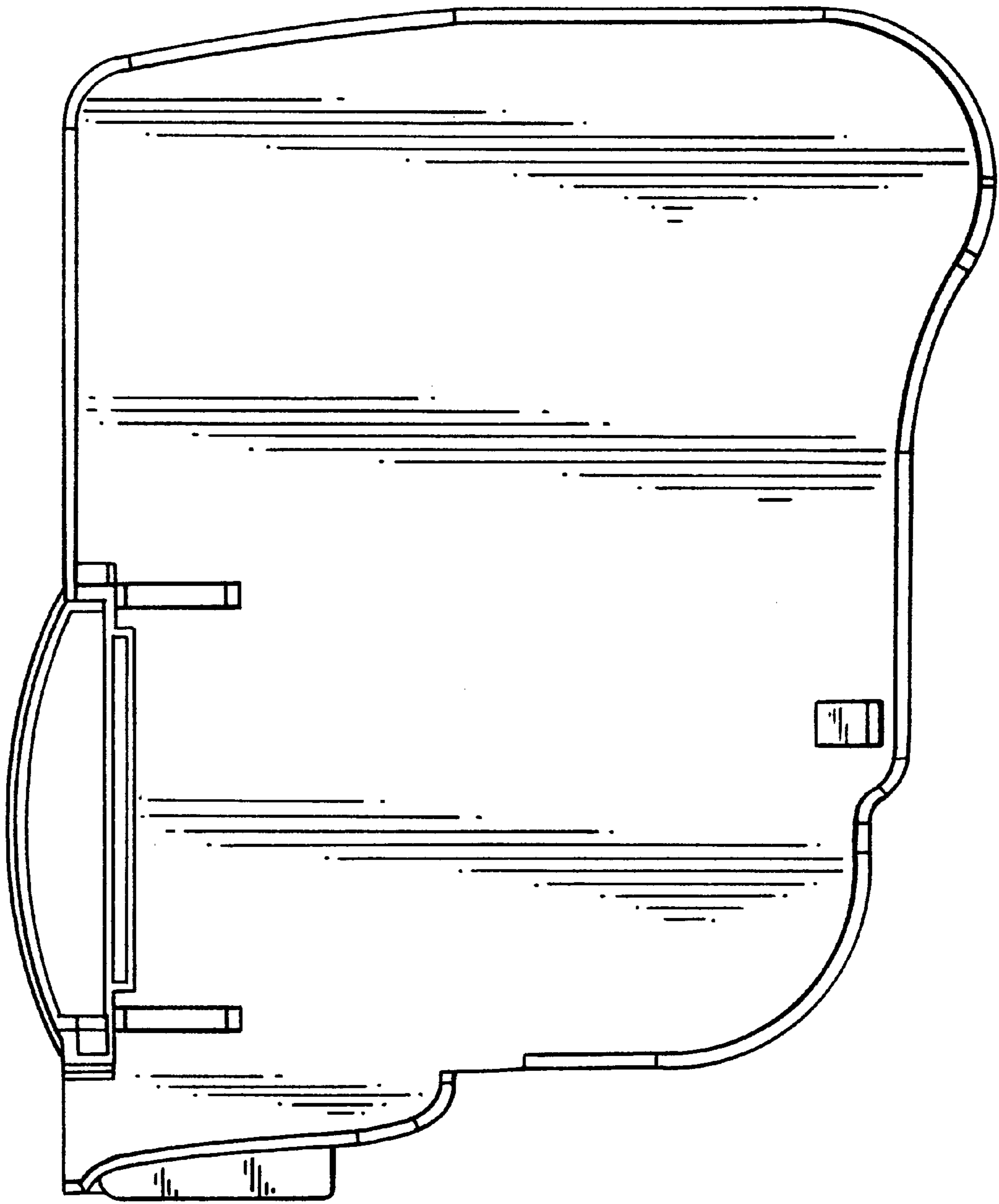


FIG. 2

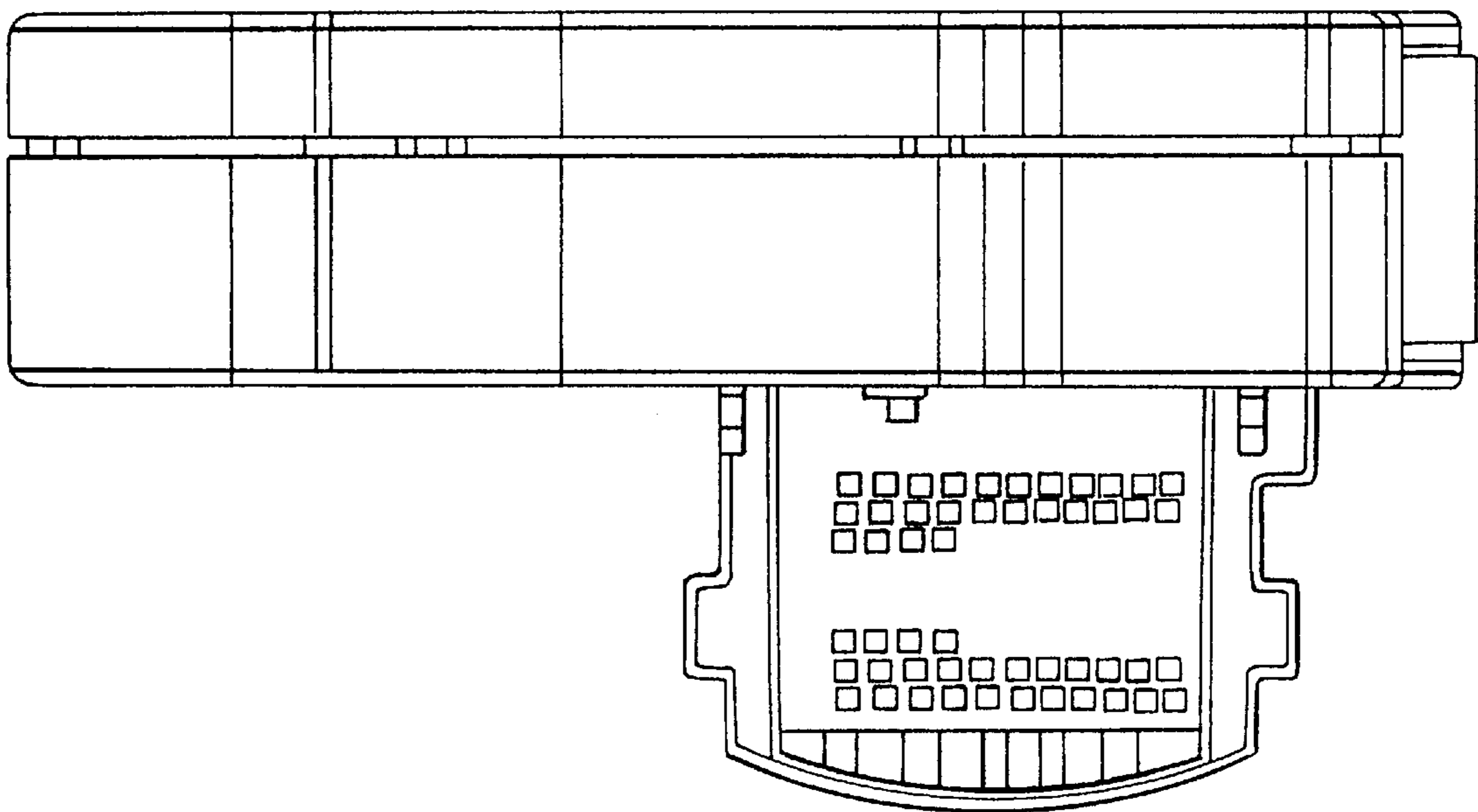


Fig. 3

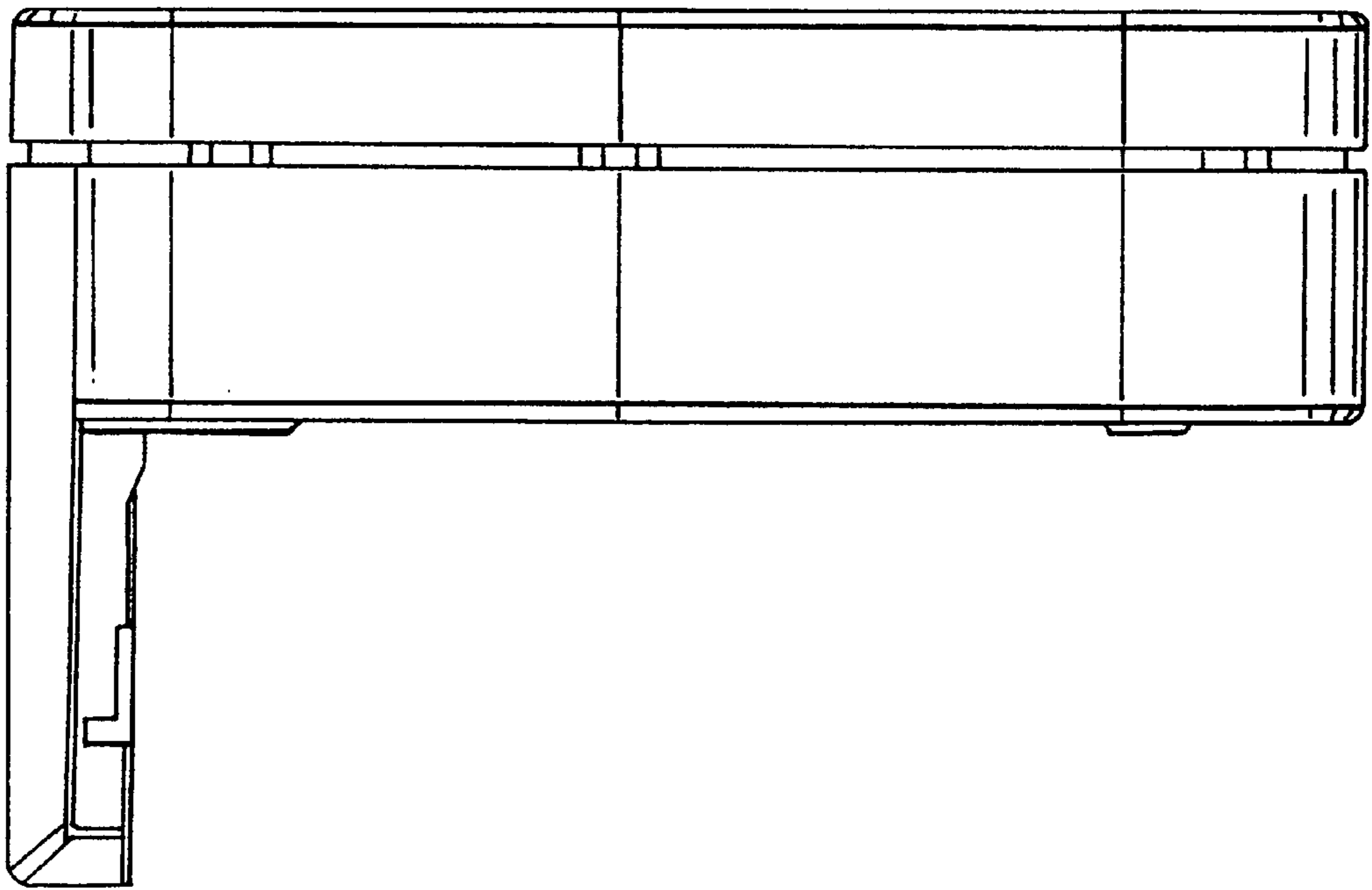


Fig. 4