



US00D449327B1

(12) **United States Design Patent**
Haga

(10) **Patent No.:** **US D449,327 S**

(45) **Date of Patent:** **** Oct. 16, 2001**

(54) **SINGLE-LENS REFLEX DIGITAL CAMERA BODY**

(75) **Inventor:** **Masaaki Haga, Tokyo (JP)**

(73) **Assignee:** **Asahi Kogaku Kogyo K.K., Tokyo (JP)**

(**) **Term:** **14 Years**

(21) **Appl. No.:** **29/138,314**

(22) **Filed:** **Mar. 12, 2001**

(30) **Foreign Application Priority Data**

Sep. 13, 2000 (JP) 12-025651

(51) **LOC (7) Cl.** **16-01**

(52) **U.S. Cl.** **D16/217**

(58) **Field of Search** D16/200-205,
D16/208, 209, 216-218; 396/354-359,
535-541, 206

(56) **References Cited**

U.S. PATENT DOCUMENTS

D. 388,109 * 12/1997 Kimura et al. D16/217

D. 411,218 * 6/1999 Kumakura et al. D16/217

D. 418,530 * 1/2000 Tanaka et al. D16/217

D. 425,094 * 5/2000 Morishita et al. D16/217

D. 439,922 * 4/2001 Kumakura D16/217

4,406,533 * 9/1983 Yamamoto 396/206

* cited by examiner

Primary Examiner—Adir Aronovich

(74) *Attorney, Agent, or Firm*—Sughrue, Mion, Zinn,
Macpeak & Seas, PLLC

(57) **CLAIM**

The ornamental design for a single-lens reflex digital camera body, as shown.

DESCRIPTION

FIG. 1 is a perspective view of the top, front and right side of a single-lens reflex digital camera body showing my new design;

FIG. 2 is a front elevational view thereof;

FIG. 3 is a top plan view thereof;

FIG. 4 is a bottom plan view thereof;

FIG. 5 is a left side elevational view thereof;

FIG. 6 is a right side elevational view thereof; and,

FIG. 7 is a rear elevational view thereof.

1 Claim, 5 Drawing Sheets

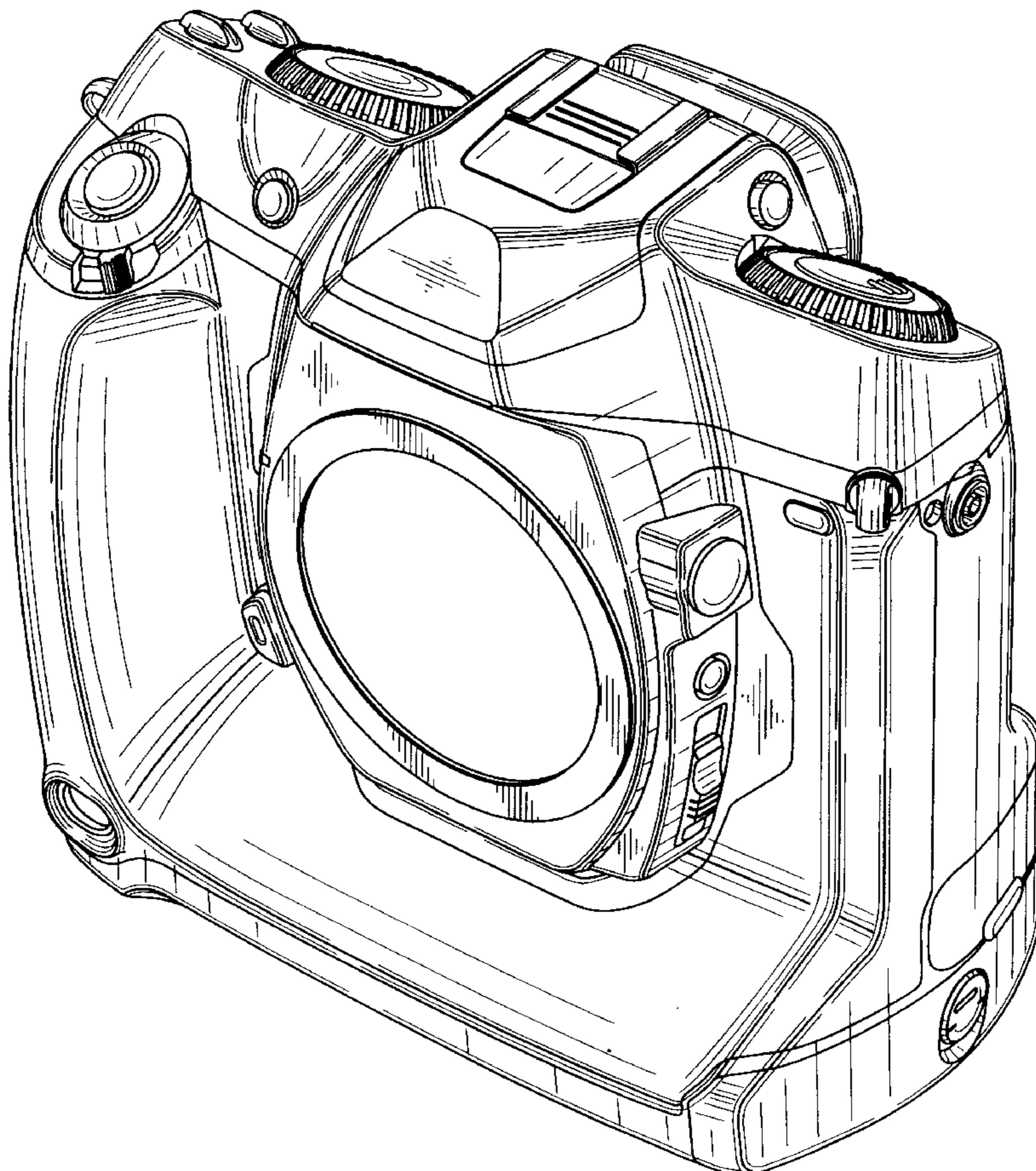


FIG. 1

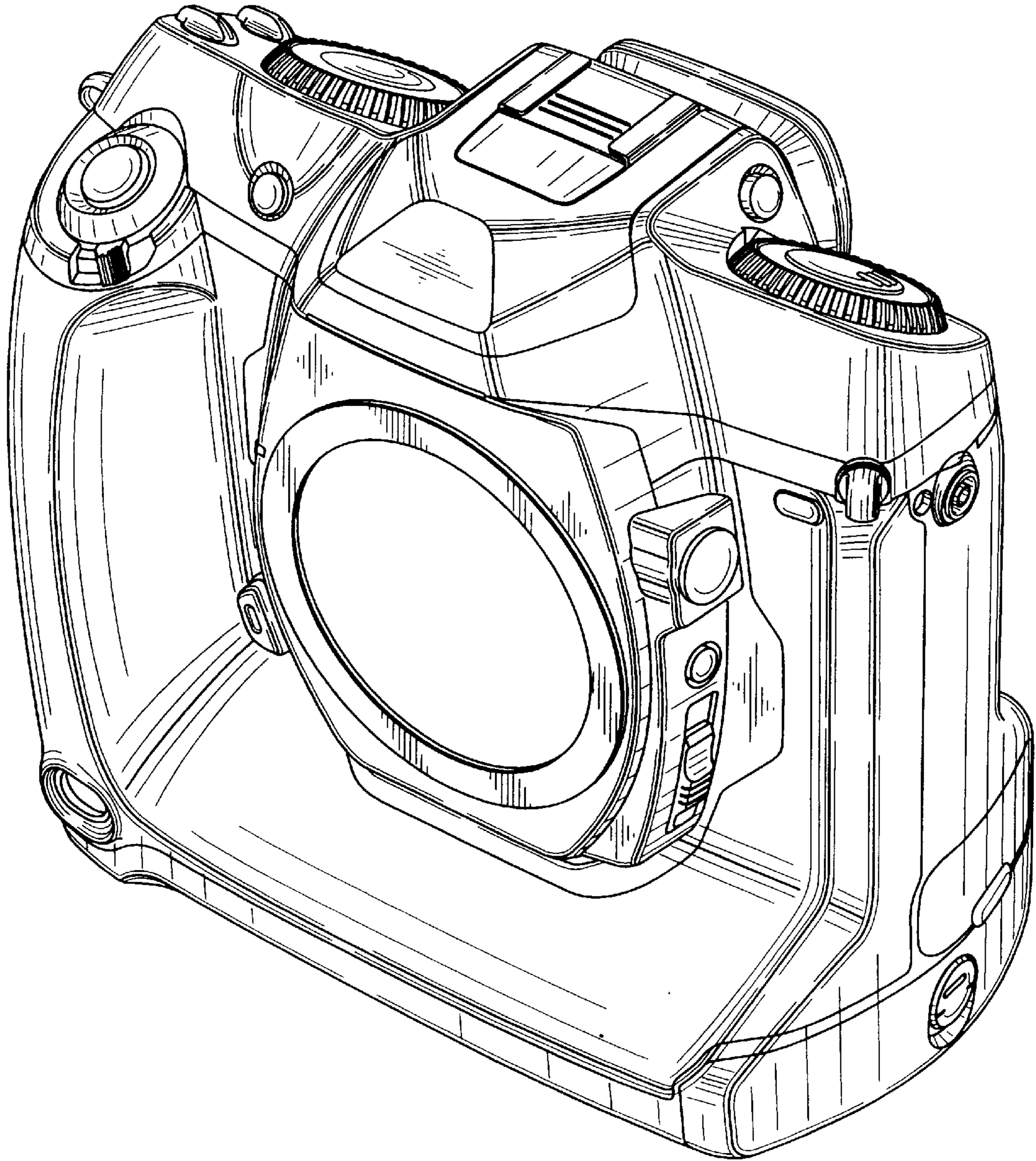


FIG. 2

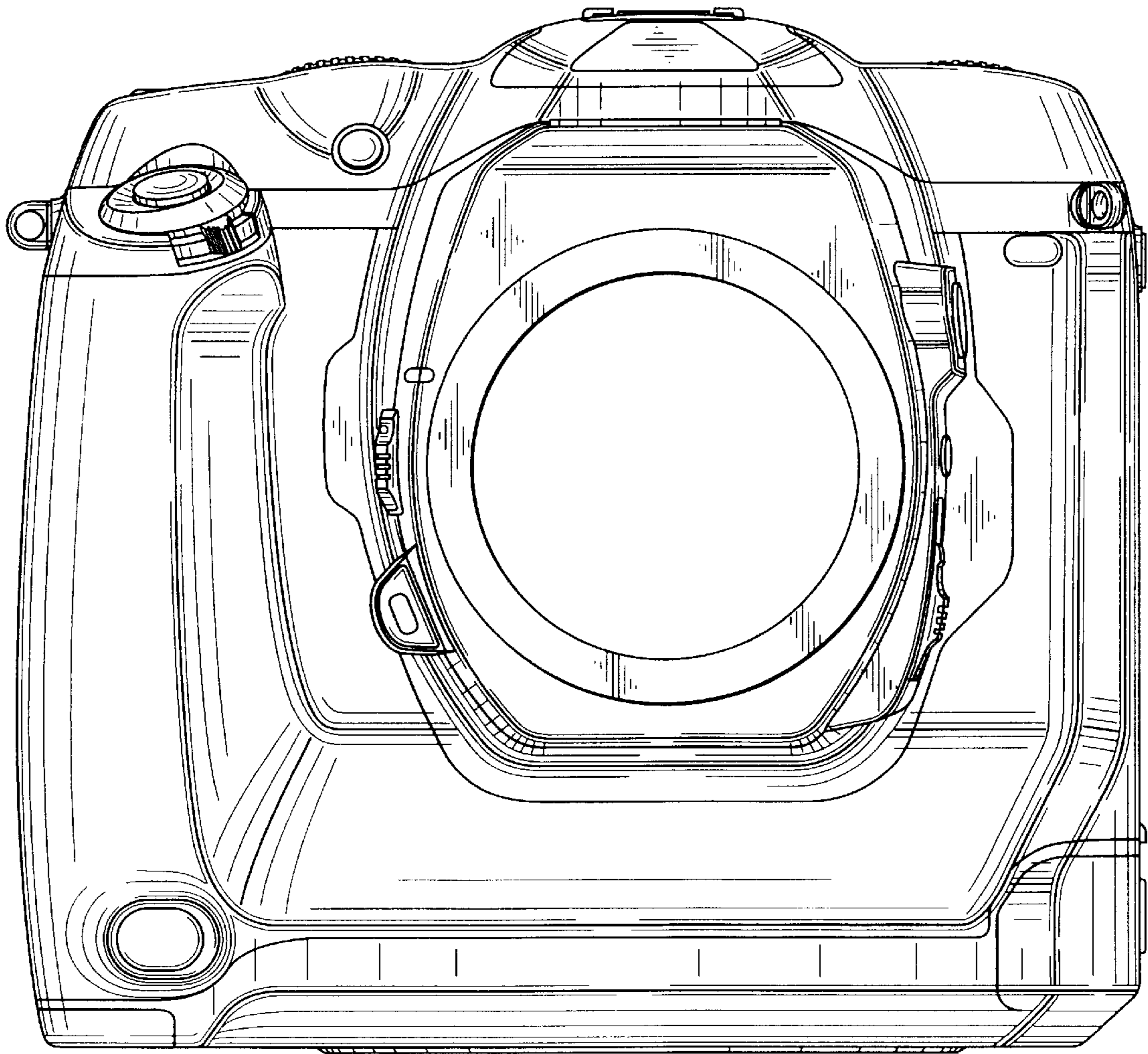


FIG. 3

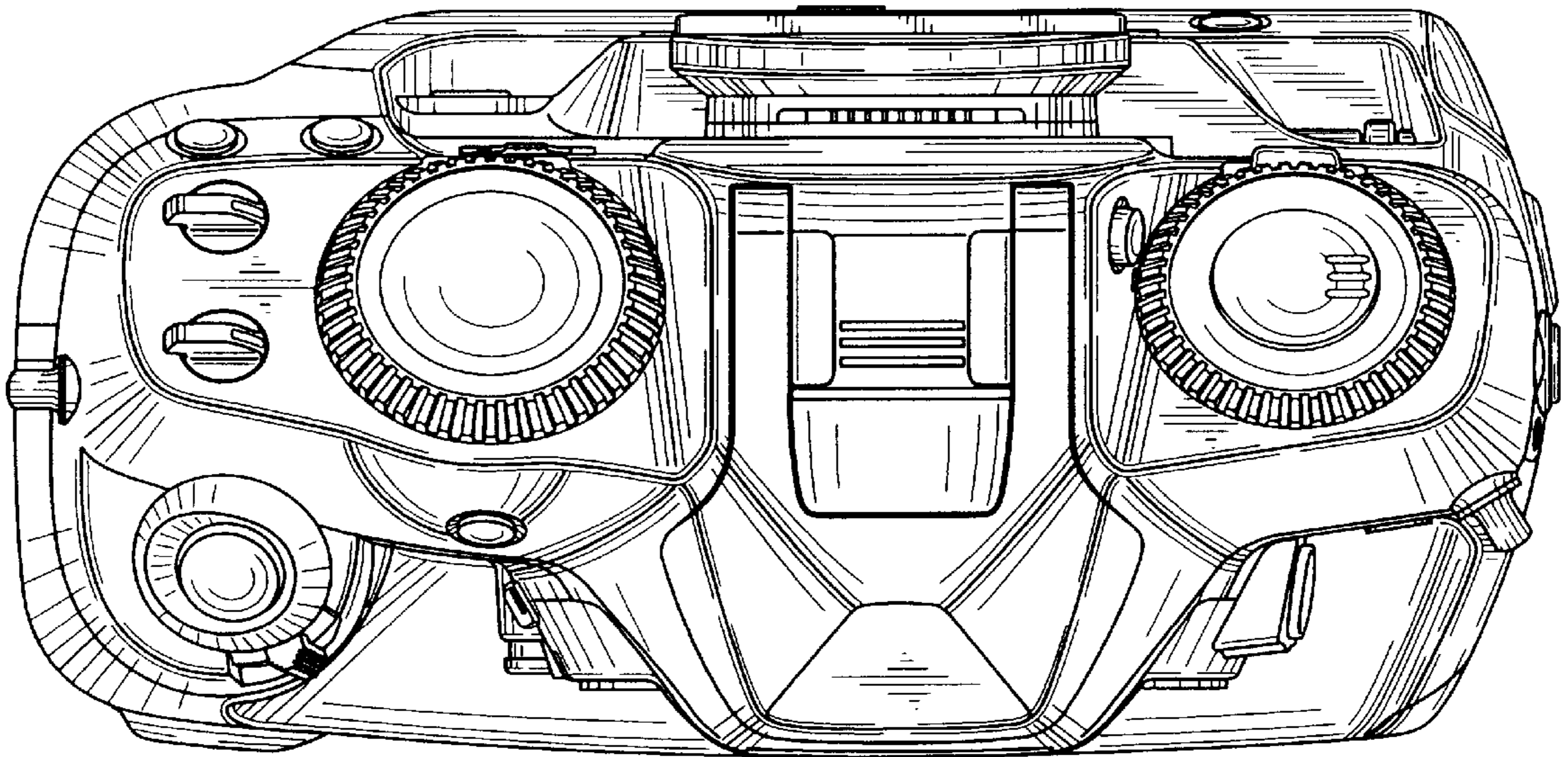


FIG. 4

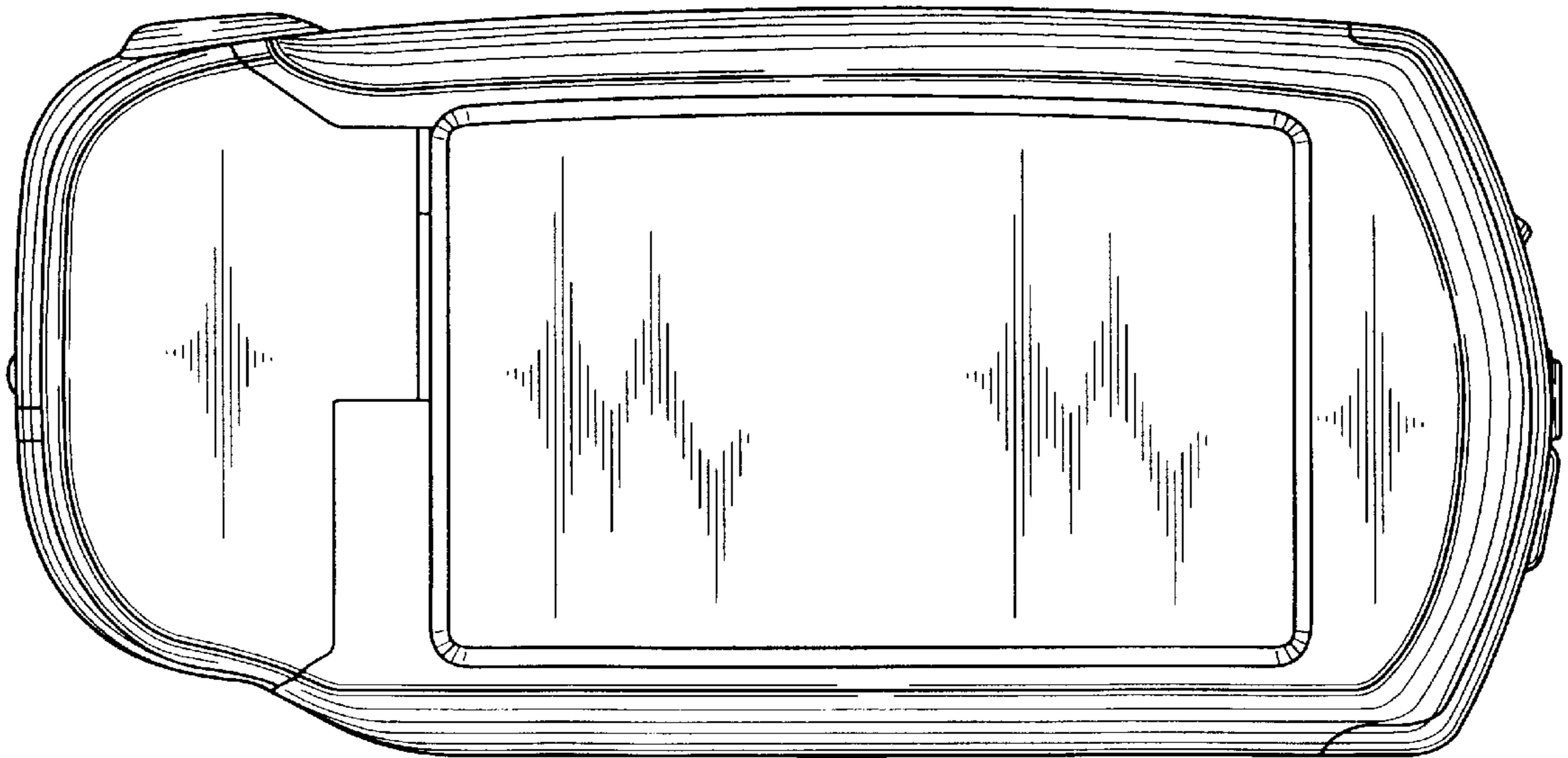


FIG. 5

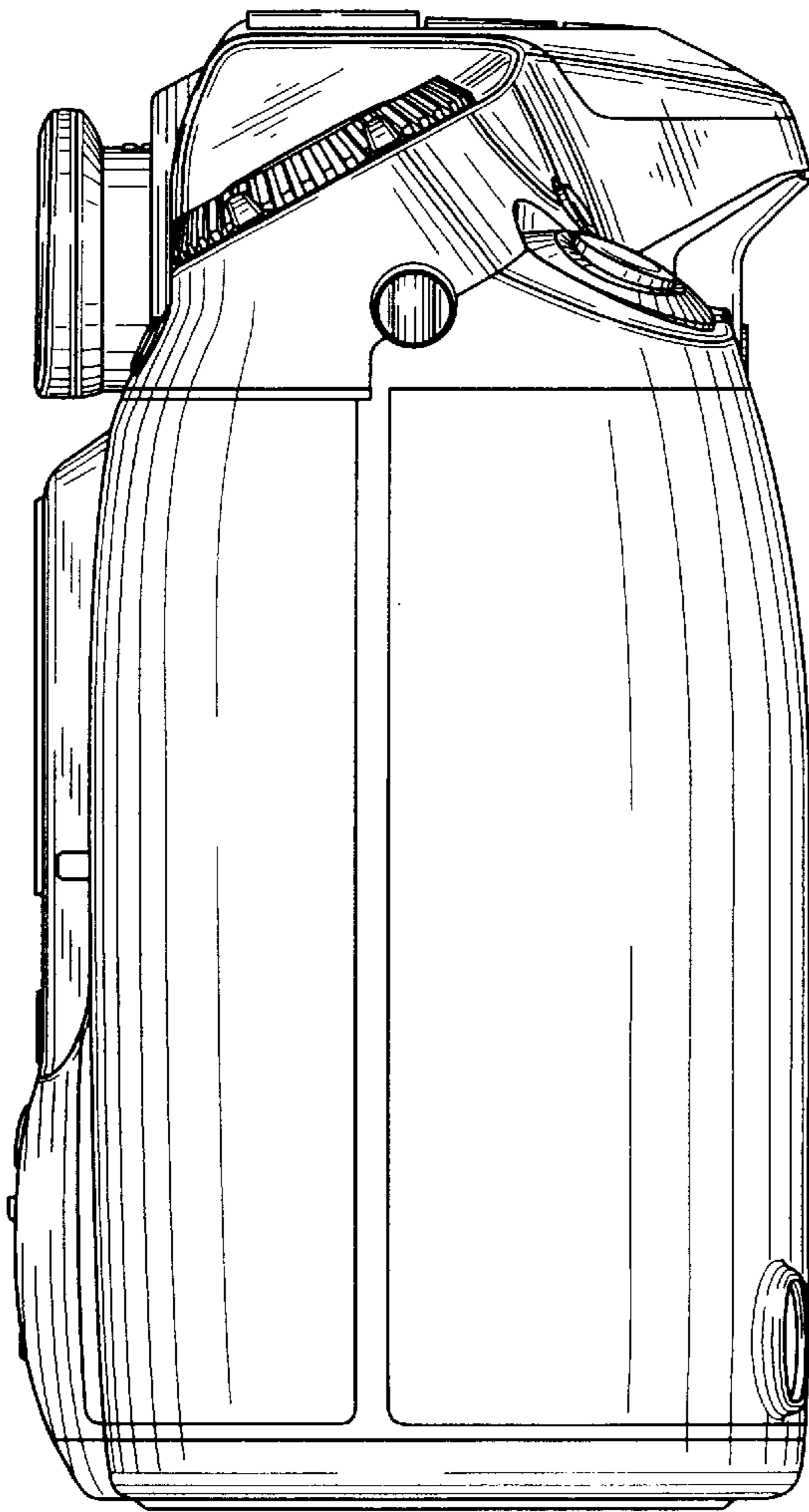


FIG. 6

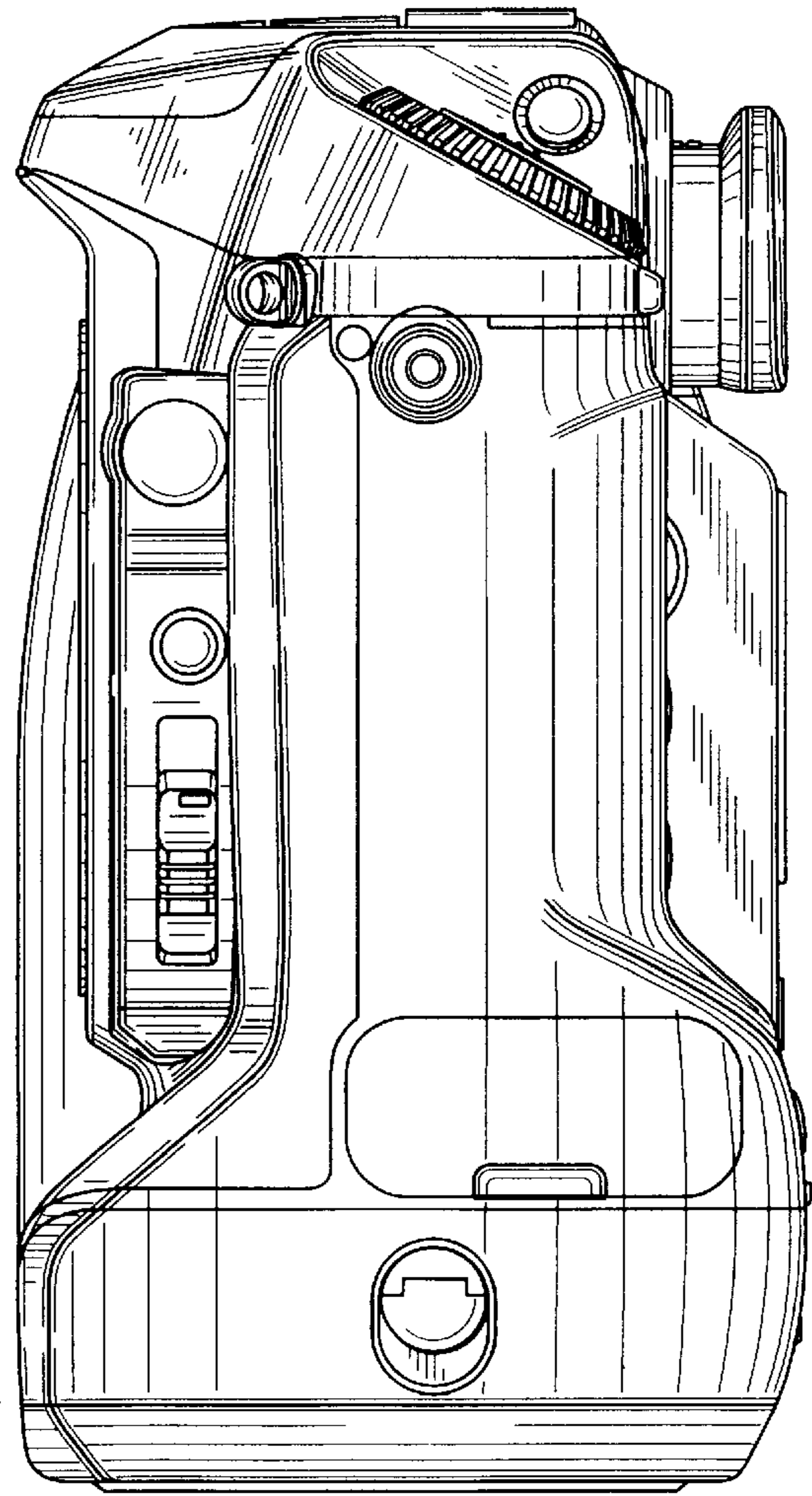


FIG. 7

