



US00D449326B1

(12) **United States Design Patent**
Shimamura et al.

(10) **Patent No.:** **US D449,326 S**

(45) **Date of Patent:** **** Oct. 16, 2001**

(54) **CAMERA**

(75) Inventors: **Junichiro Shimamura**, Funabashi;
Kazuhiko Miyahara, Yokohama, both
of (JP)

(73) Assignee: **Canon Kabushiki Kaisha**, Tokyo (JP)

(**) Term: **14 Years**

(21) Appl. No.: **29/135,640**

(22) Filed: **Jan. 17, 2001**

(30) **Foreign Application Priority Data**

Jul. 21, 2000 (JP) 12-020118

(51) **LOC (7) Cl.** **16-01**

(52) **U.S. Cl.** **D16/209**

(58) **Field of Search** D16/200-205,
D16/208, 209, 217, 218; 396/535-541

(56) **References Cited**

U.S. PATENT DOCUMENTS

D. 320,610 * 10/1991 Chan D16/209

D. 345,173 * 3/1994 Swayze D16/209
D. 394,444 * 5/1998 Hoshi et al. D16/209
D. 395,665 * 6/1998 Matsumura et al. D16/209
D. 411,852 * 7/1999 Huang D16/209
4,866,470 * 9/1989 Arai et al. 396/540

* cited by examiner

Primary Examiner—Adir Aronovich

(74) *Attorney, Agent, or Firm*—Fitzpatrick, Cella, Harper &
Scinto

(57) **CLAIM**

The ornamental design for a camera, as shown and
described.

DESCRIPTION

FIG. 1 is a front view of a camera showing our new design;
FIG. 2 is a rear view thereof;
FIG. 3 is a top plan view thereof;
FIG. 4 is a bottom plan view thereof;
FIG. 5 is a left side view thereof;
FIG. 6 is a right side view thereof; and,
FIG. 7 is a perspective view thereof.

1 Claim, 4 Drawing Sheets

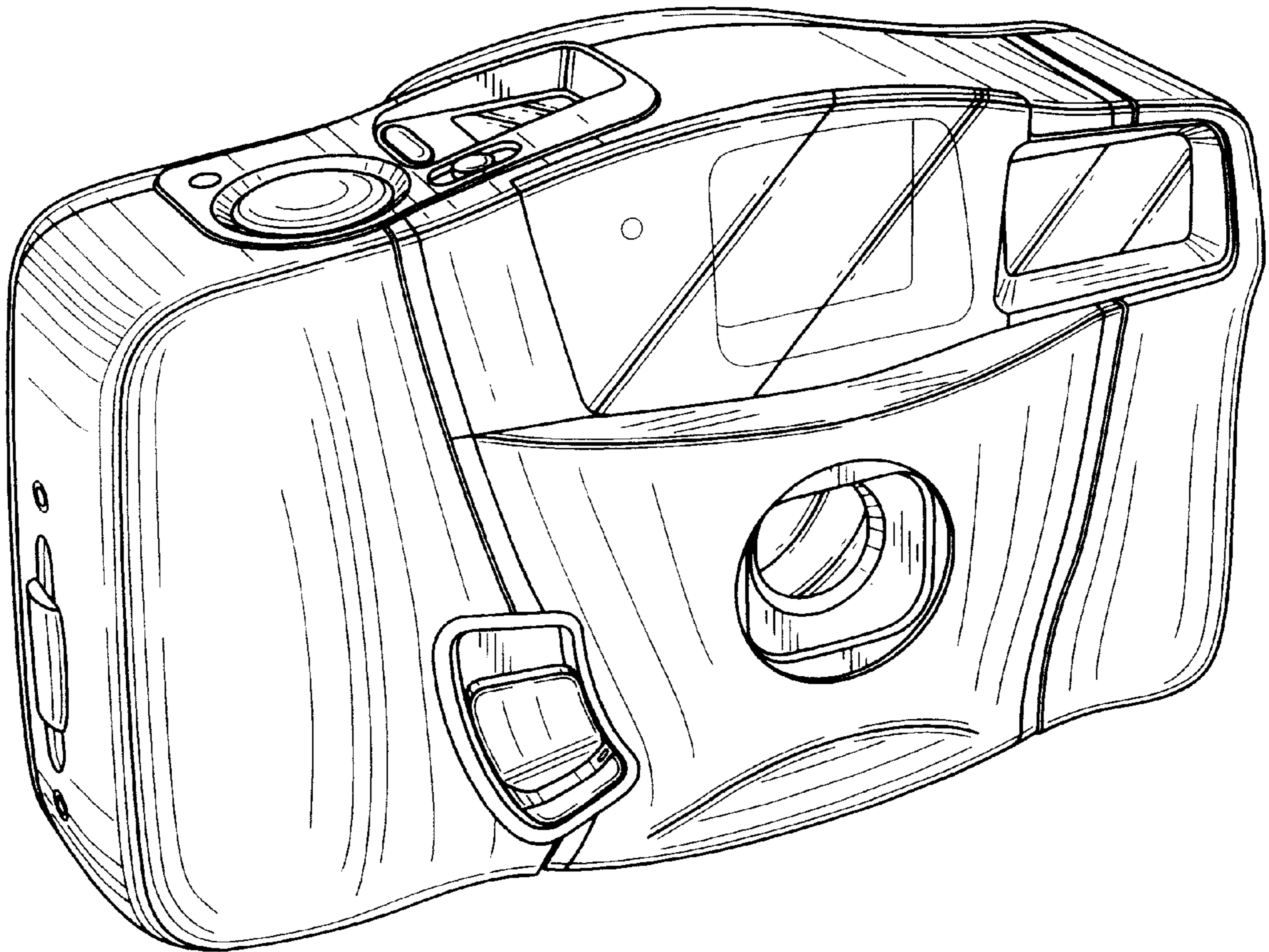


FIG. 1

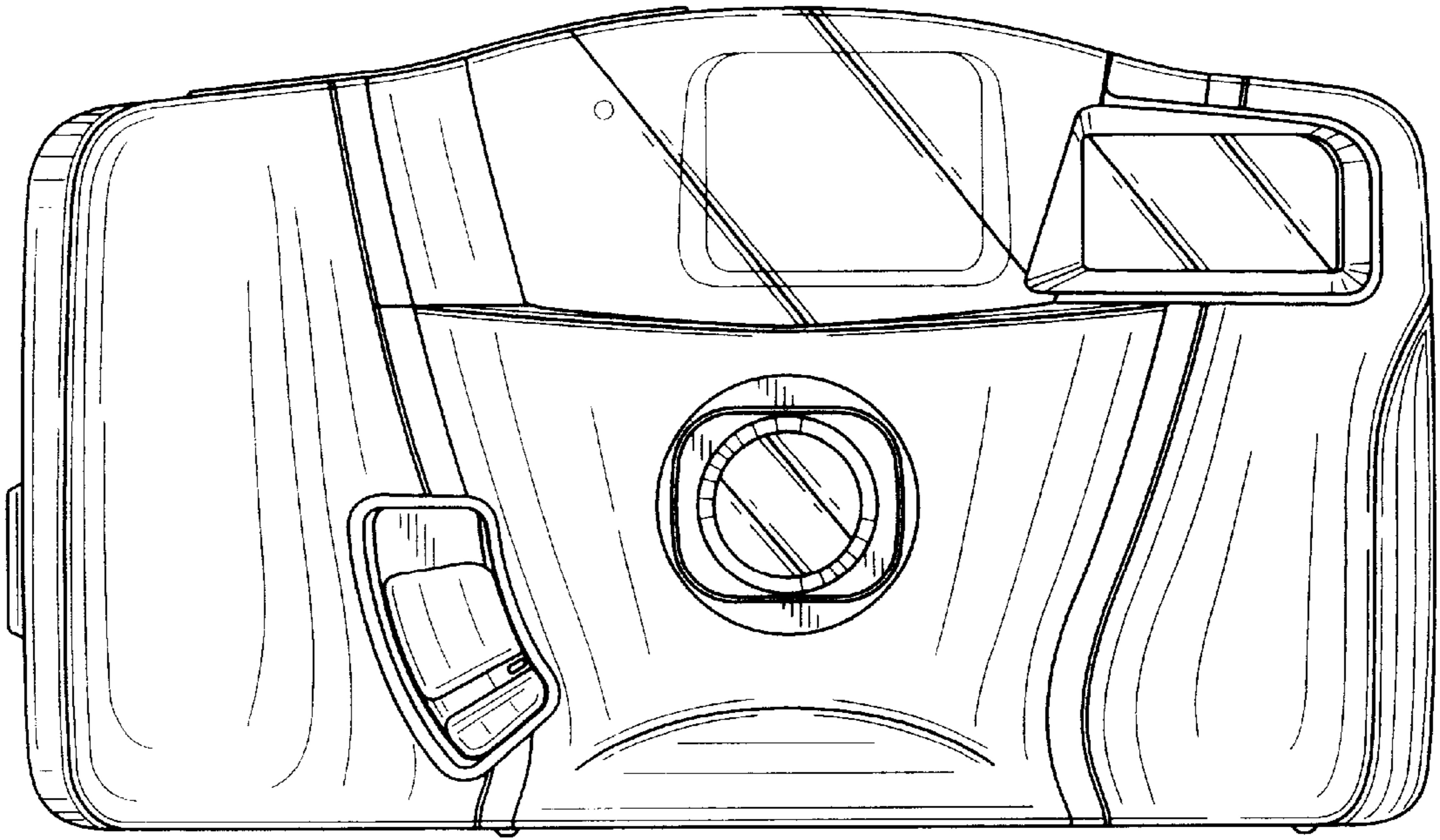


FIG. 2

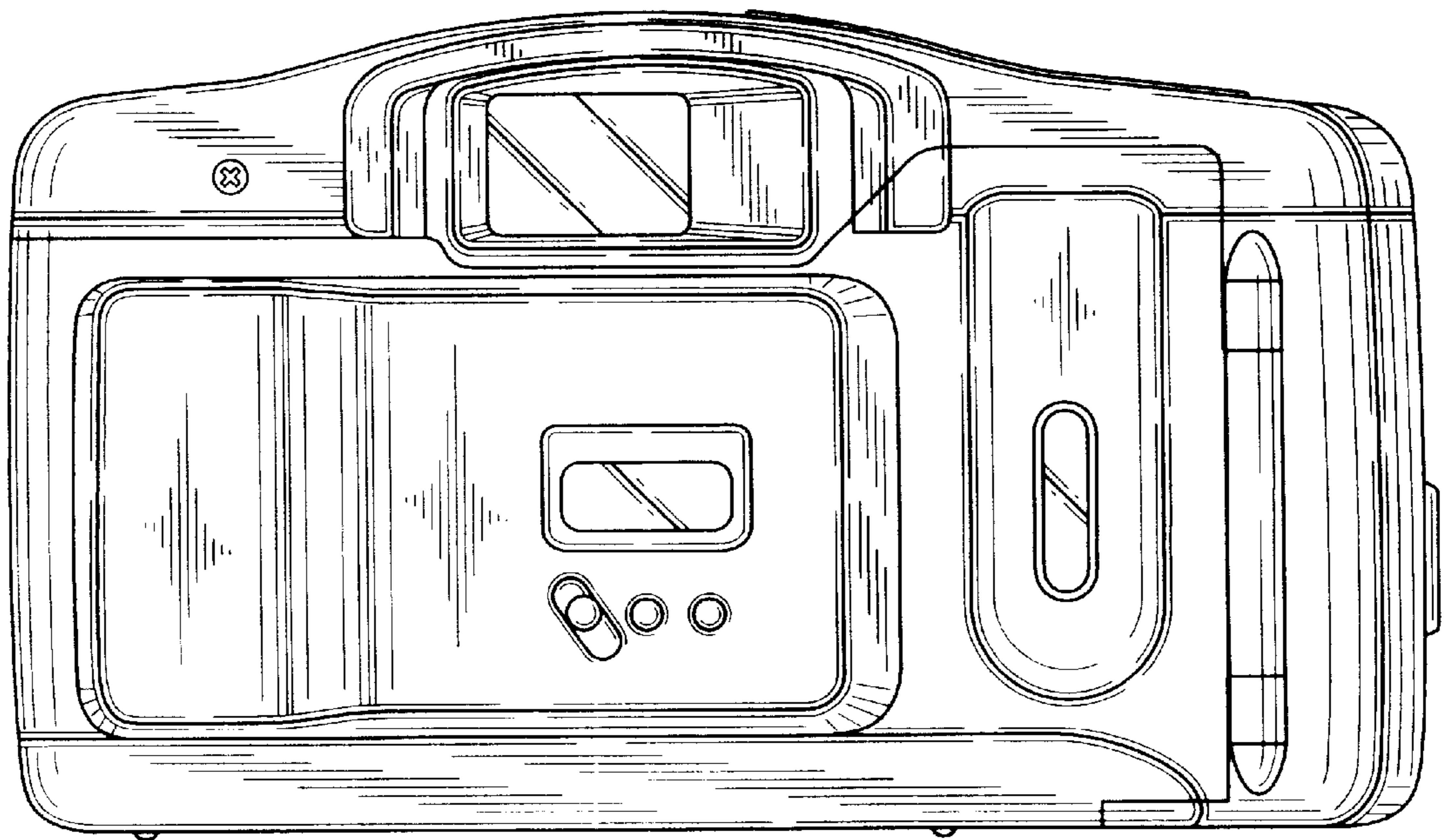


FIG. 3

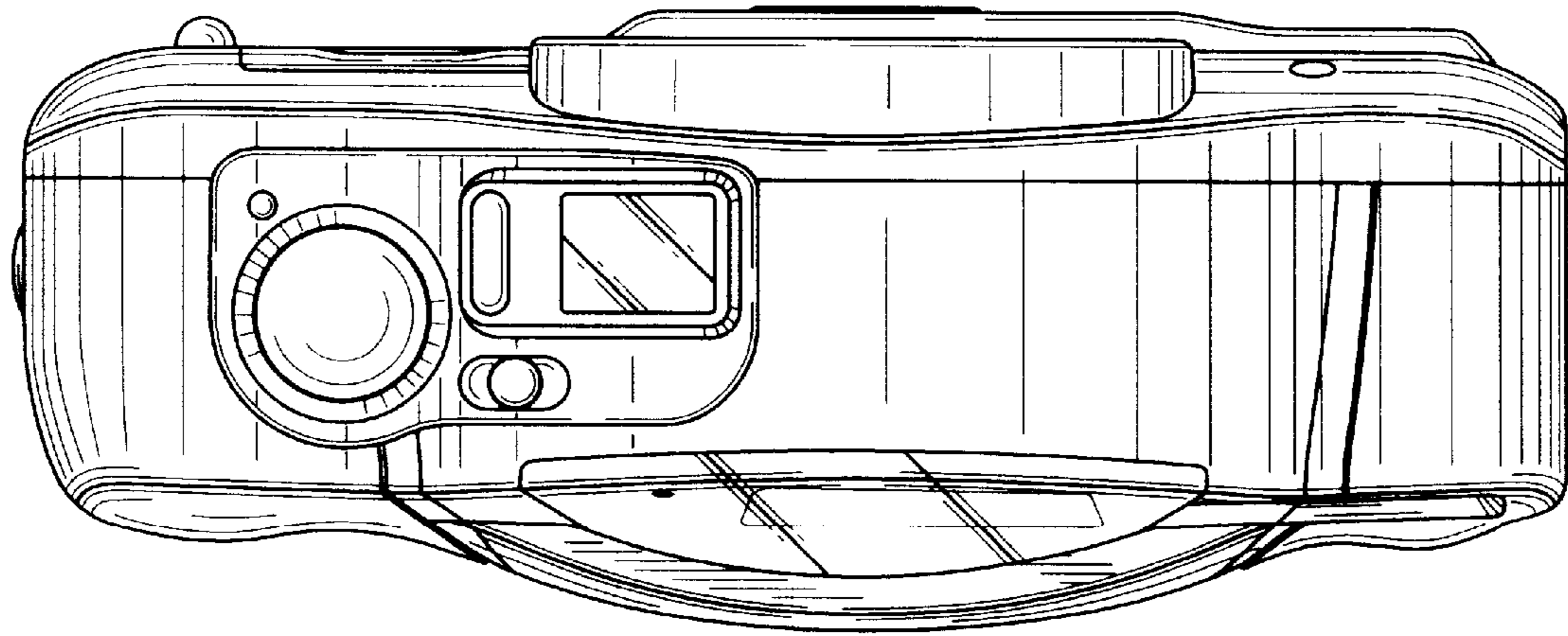


FIG. 4

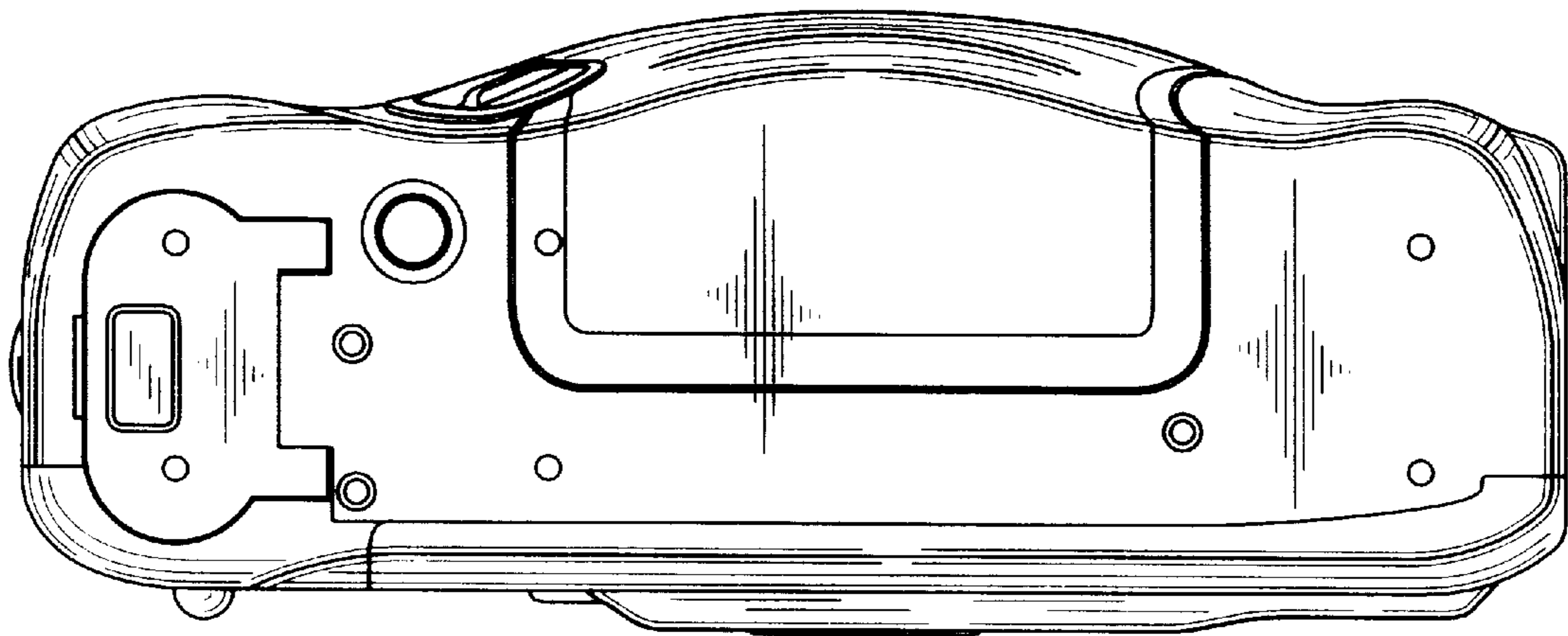


FIG. 5

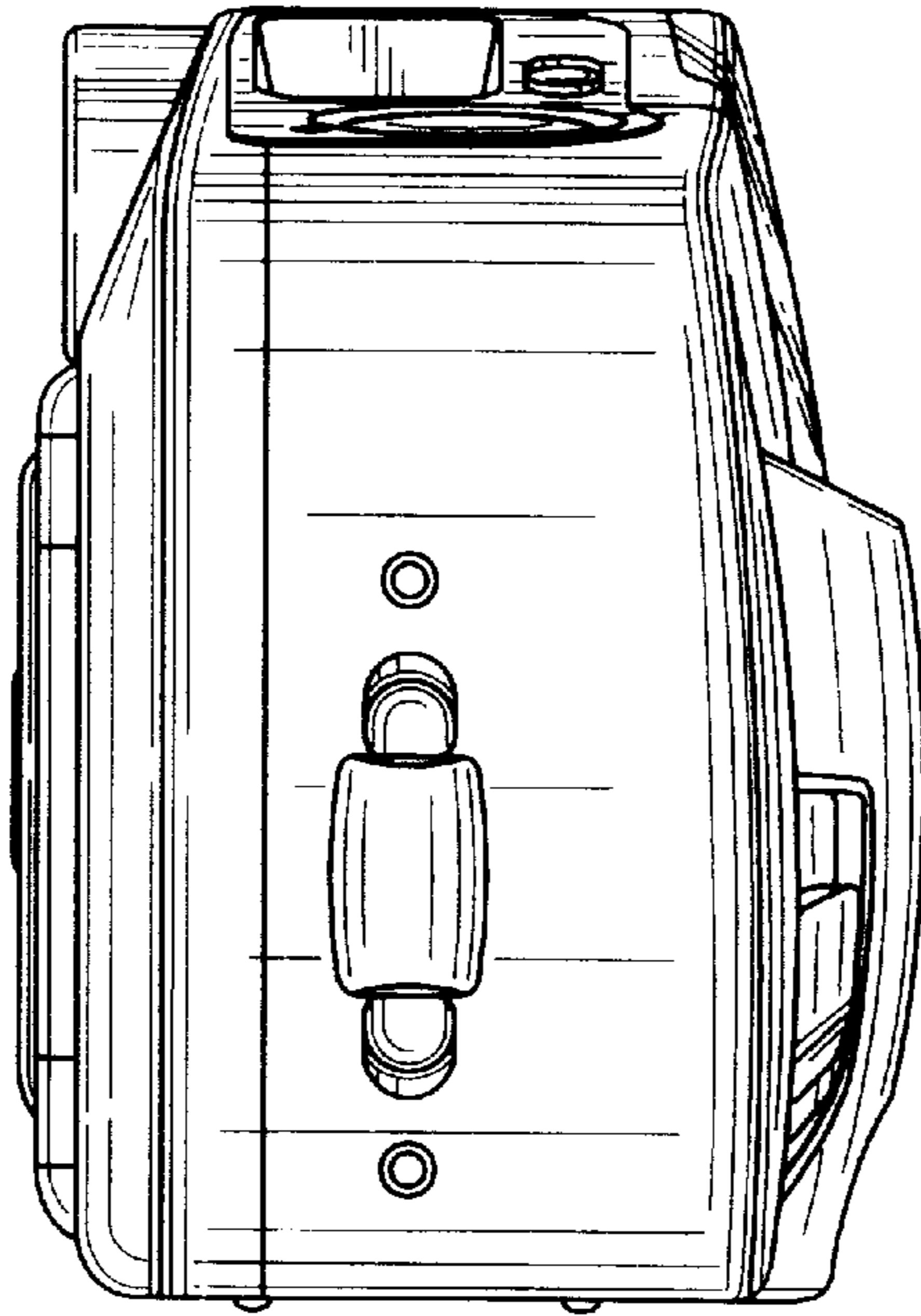


FIG. 6

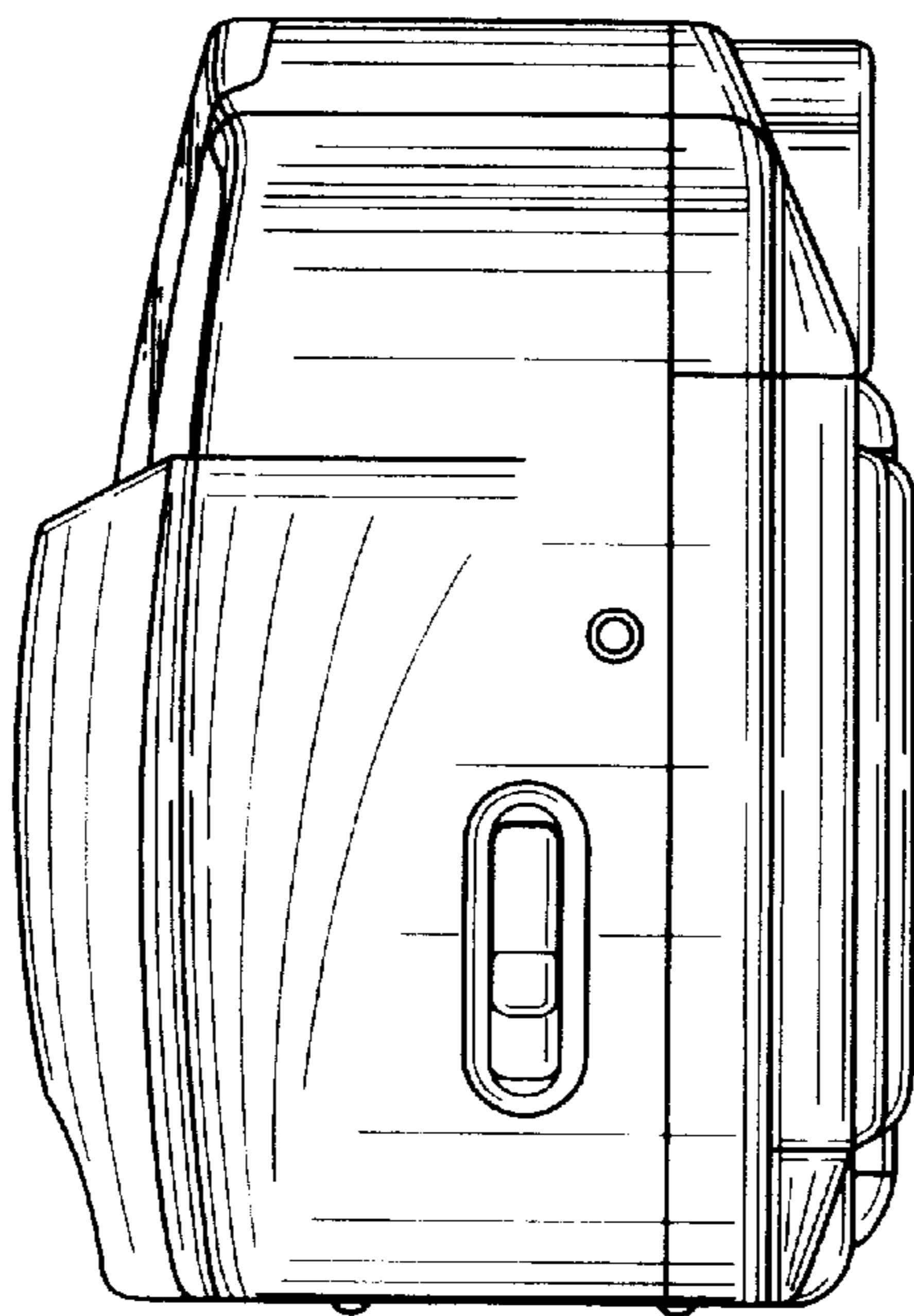


FIG. 7

