



US00D449325B1

(12) **United States Design Patent**
Iue et al.

(10) **Patent No.:** **US D449,325 S**

(45) **Date of Patent:** **** Oct. 16, 2001**

(54) **DIGITAL CAMERA**

(75) Inventors: **Hiroshi Iue; Tatsuya Suzuki**, both of Tokyo (JP)

(73) Assignee: **Olympus Optical Co., Ltd.**, Tokyo (JP)

(**) Term: **14 Years**

(21) Appl. No.: **29/139,895**

(22) Filed: **Apr. 5, 2001**

(30) **Foreign Application Priority Data**

Jan. 10, 2001 (JP) 13-000111

(51) **LOC (7) Cl.** **16-01**

(52) **U.S. Cl.** **D16/202; D16/209**

(58) **Field of Search** D16/200-204,
D16/208, 209, 211, 212, 218, 219; 396/59,
348, 349, 448, 535-541

(56) **References Cited**

U.S. PATENT DOCUMENTS

- D. 415,511 * 10/1999 Funakoshi et al. D16/209
- D. 429,748 * 8/2000 Hatakeyama D16/219
- D. 436,978 * 1/2001 Suzuki et al. D16/219
- D. 444,162 * 6/2001 Senda D16/202
- 5,162,832 * 11/1992 Kakita et al. 396/59
- 5,701,533 * 12/1997 Suzuki et al. 396/349

5,708,891 * 1/1998 Ando et al. 396/448

* cited by examiner

Primary Examiner—Adir Aronovich

(74) *Attorney, Agent, or Firm*—Hogan & Hartson, L.L.P.

(57) **CLAIM**

The ornamental design for a digital camera, as shown and described.

DESCRIPTION

FIG. 1 is a front elevational view of a digital camera, showing our new design;

FIG. 2 is a top plan view thereof;

FIG. 3 is a bottom plan view thereof;

FIG. 4 is a left side elevational view thereof;

FIG. 5 is a right side elevational view thereof;

FIG. 6 is a rear elevational view thereof;

FIG. 7 is a front elevational view thereof with a barrier opened and a flash unit in a raised state;

FIG. 8 is a top plan view thereof with a barrier opened and a flash unit in a raised state; and,

FIG. 9 is a left side elevational view thereof with a barrier opened and a flash unit in a raised state.

The broken lines are included for the purpose of illustrating environmental structure only and form no part of the claimed design.

1 Claim, 3 Drawing Sheets

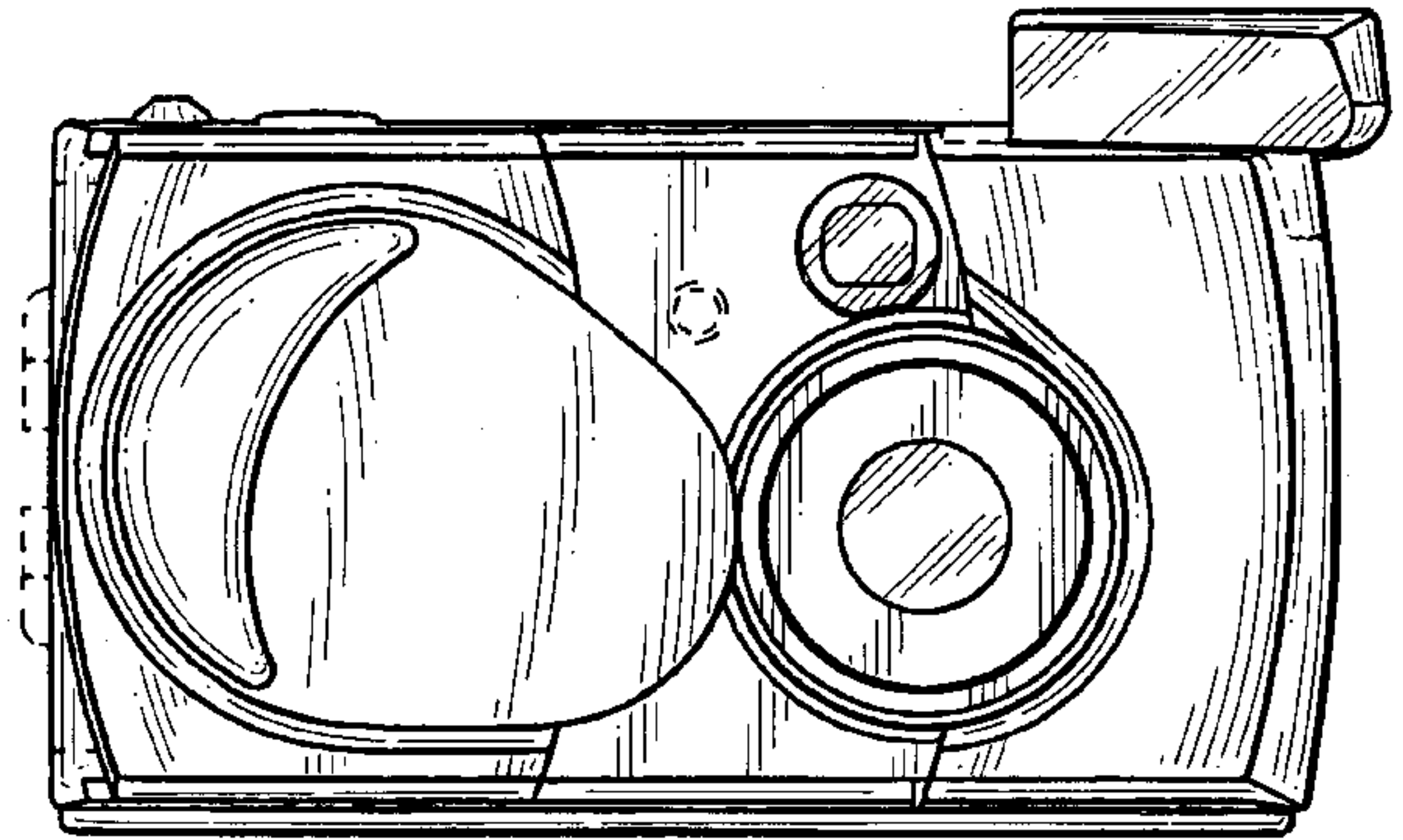
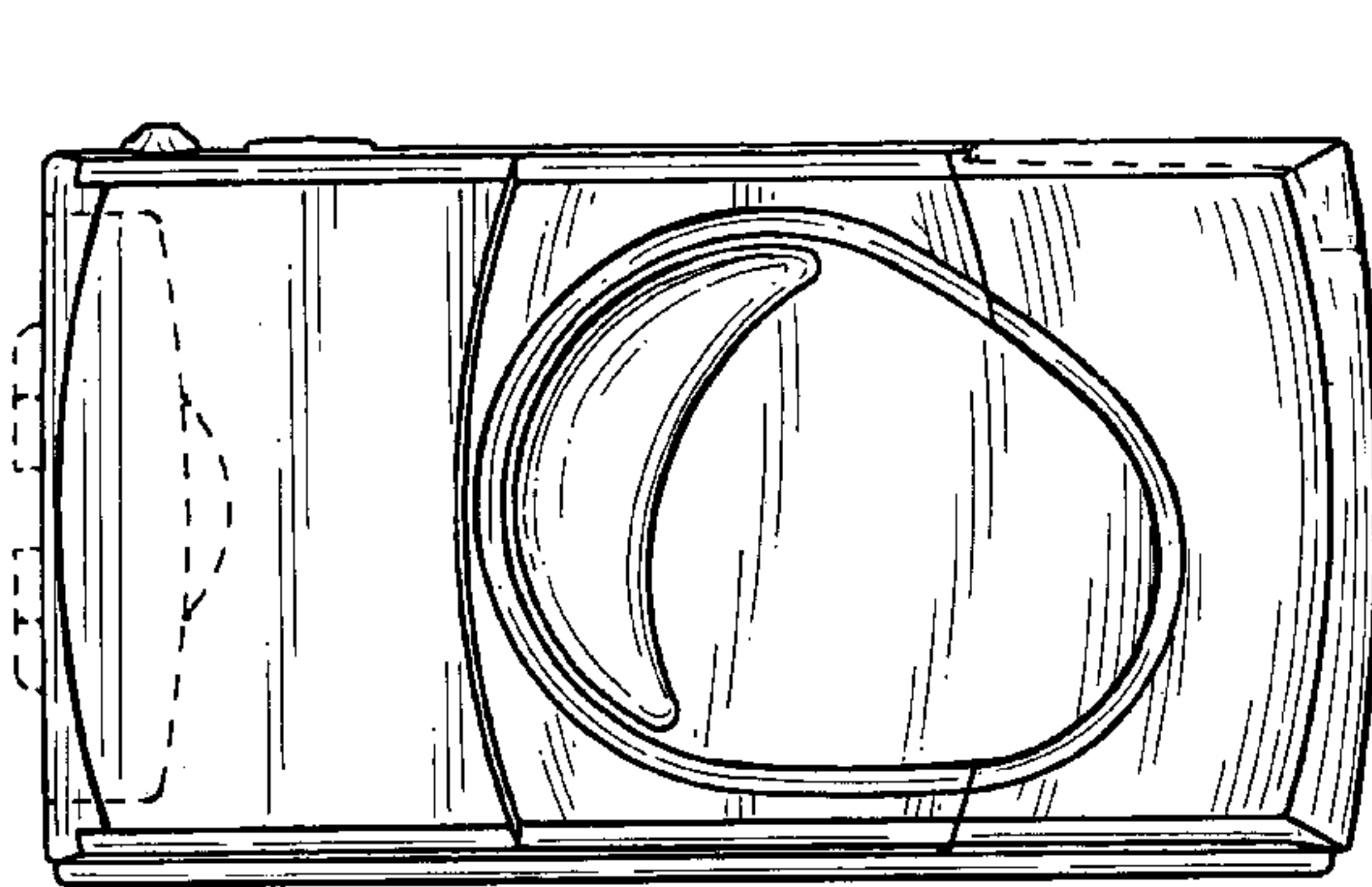


FIG. 1

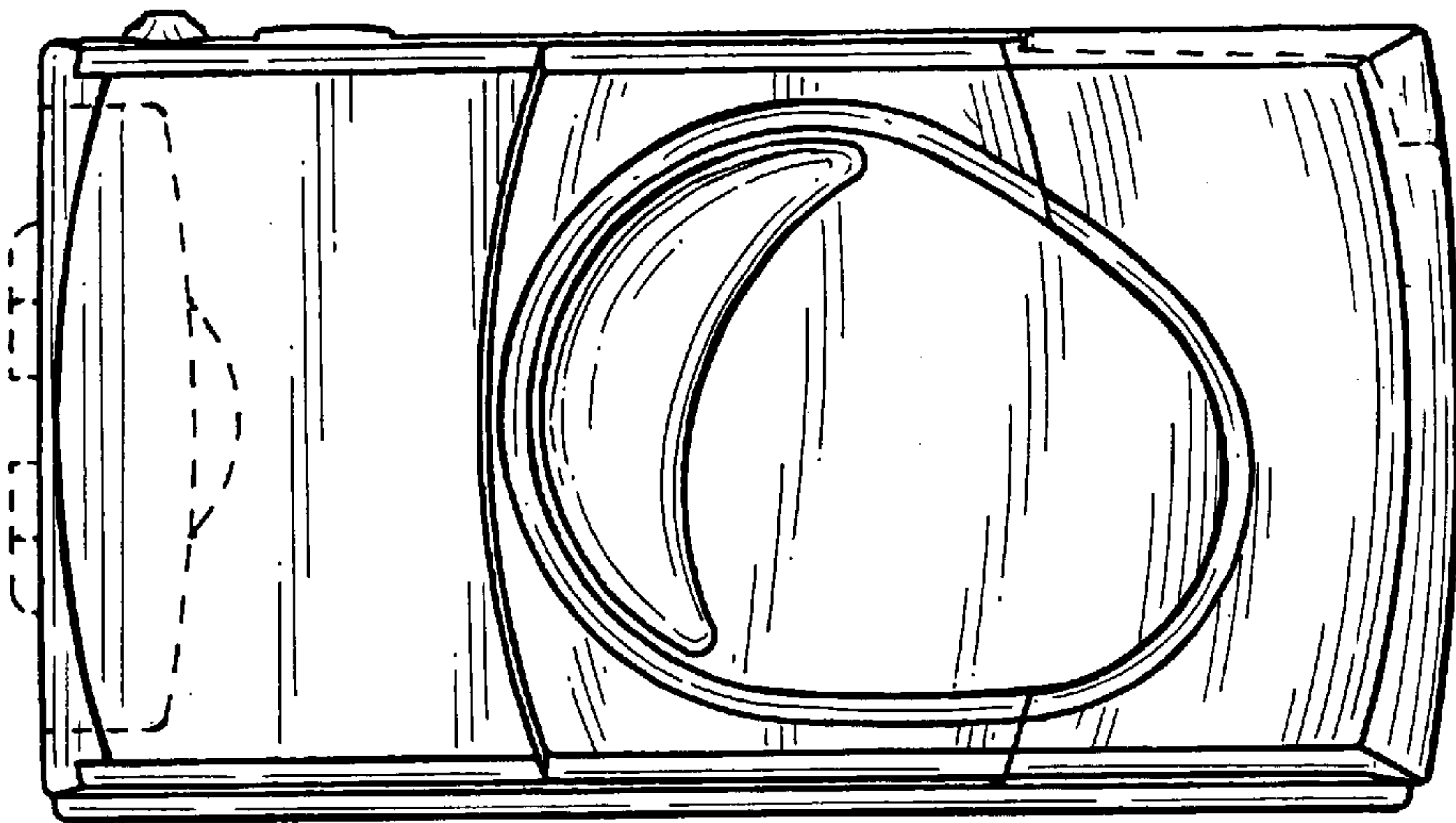


FIG. 2

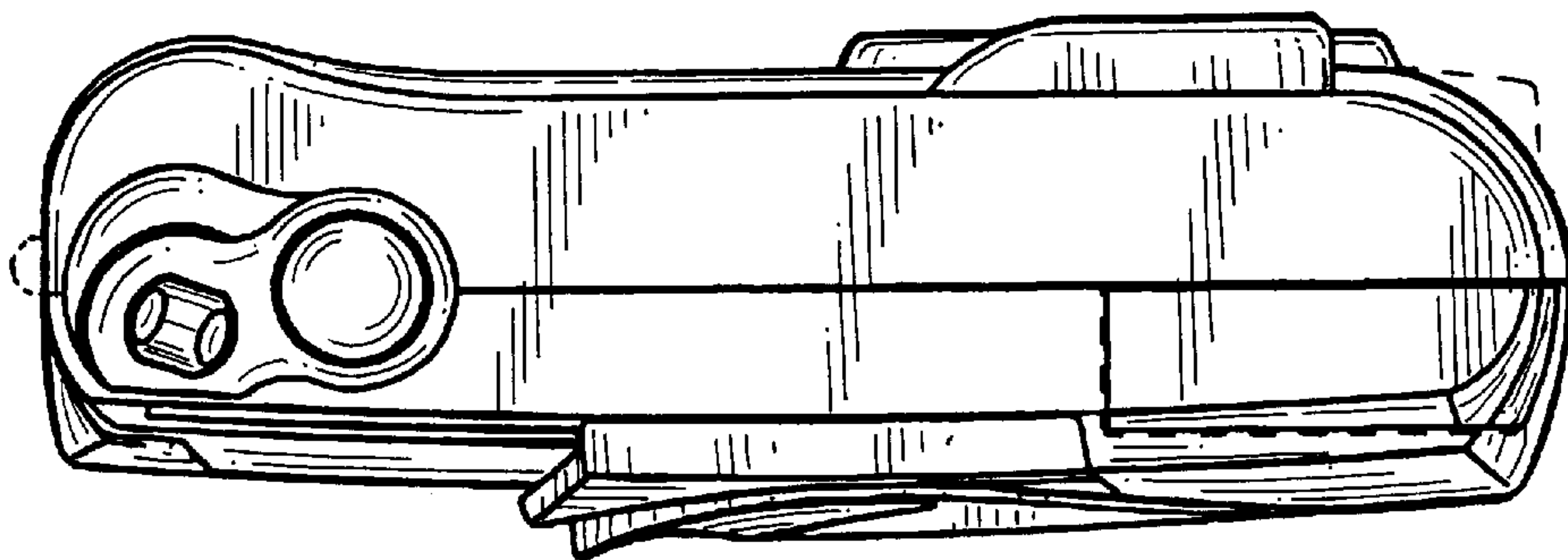


FIG. 3

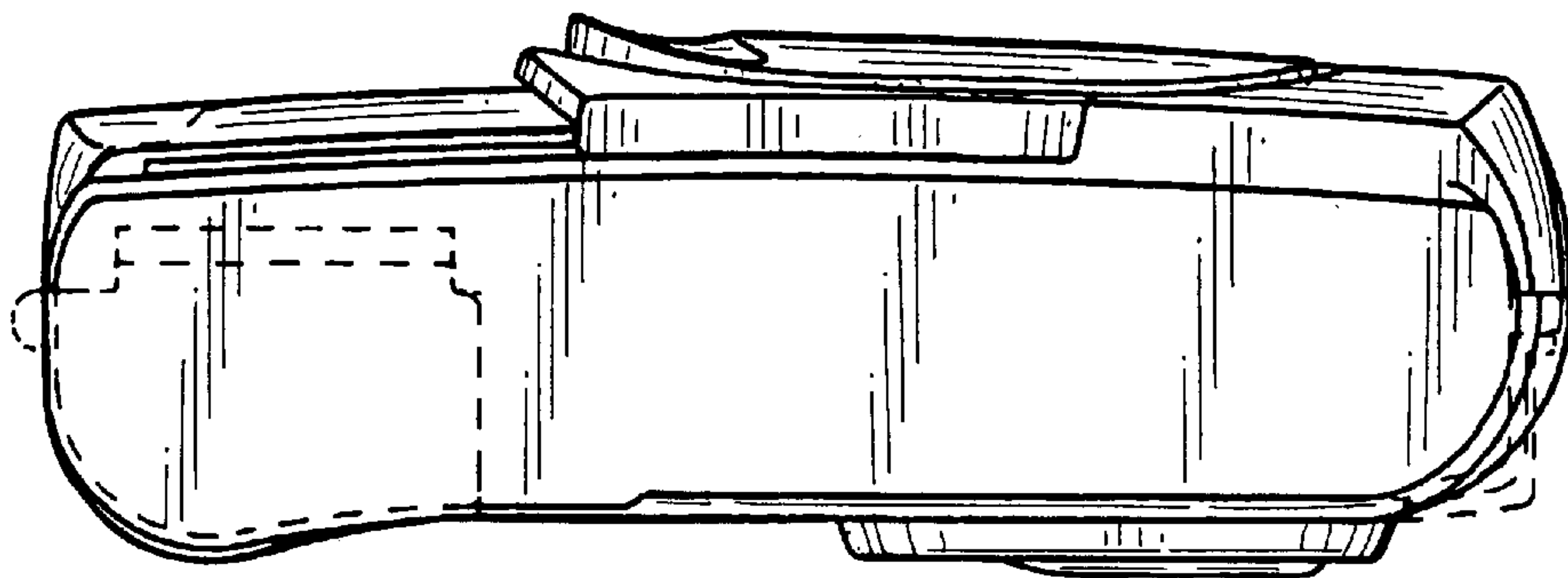


FIG. 4

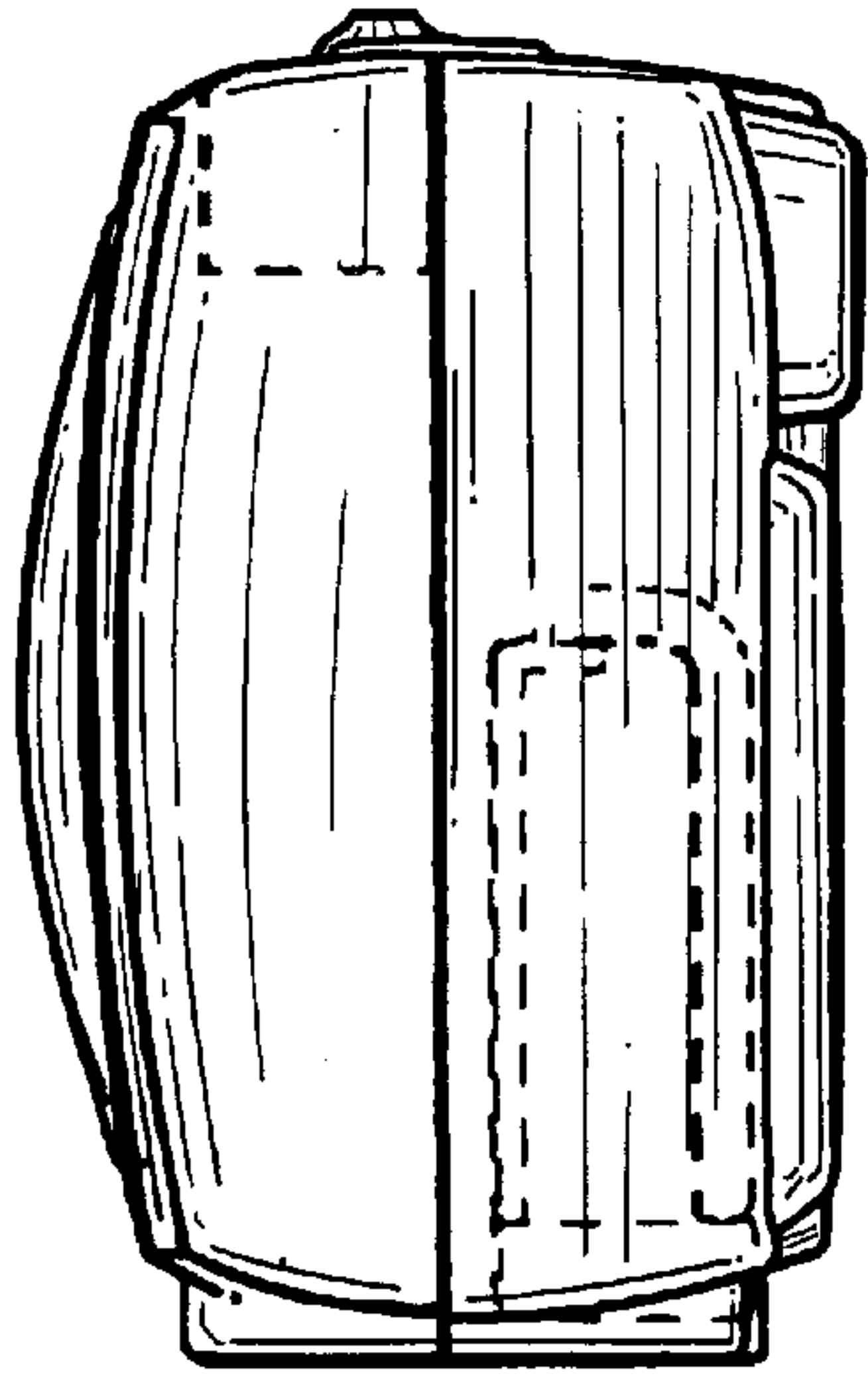


FIG. 5

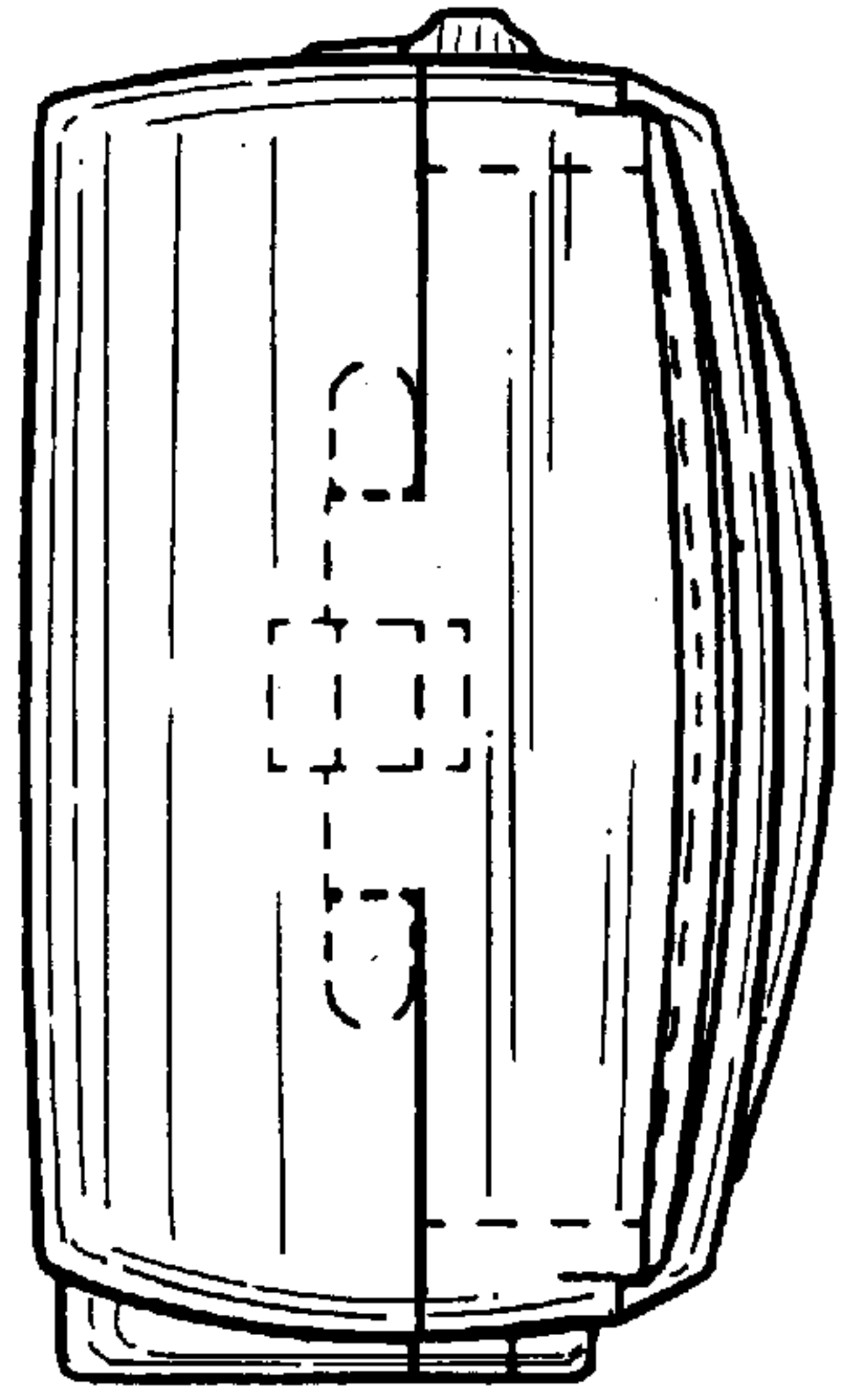


FIG. 6

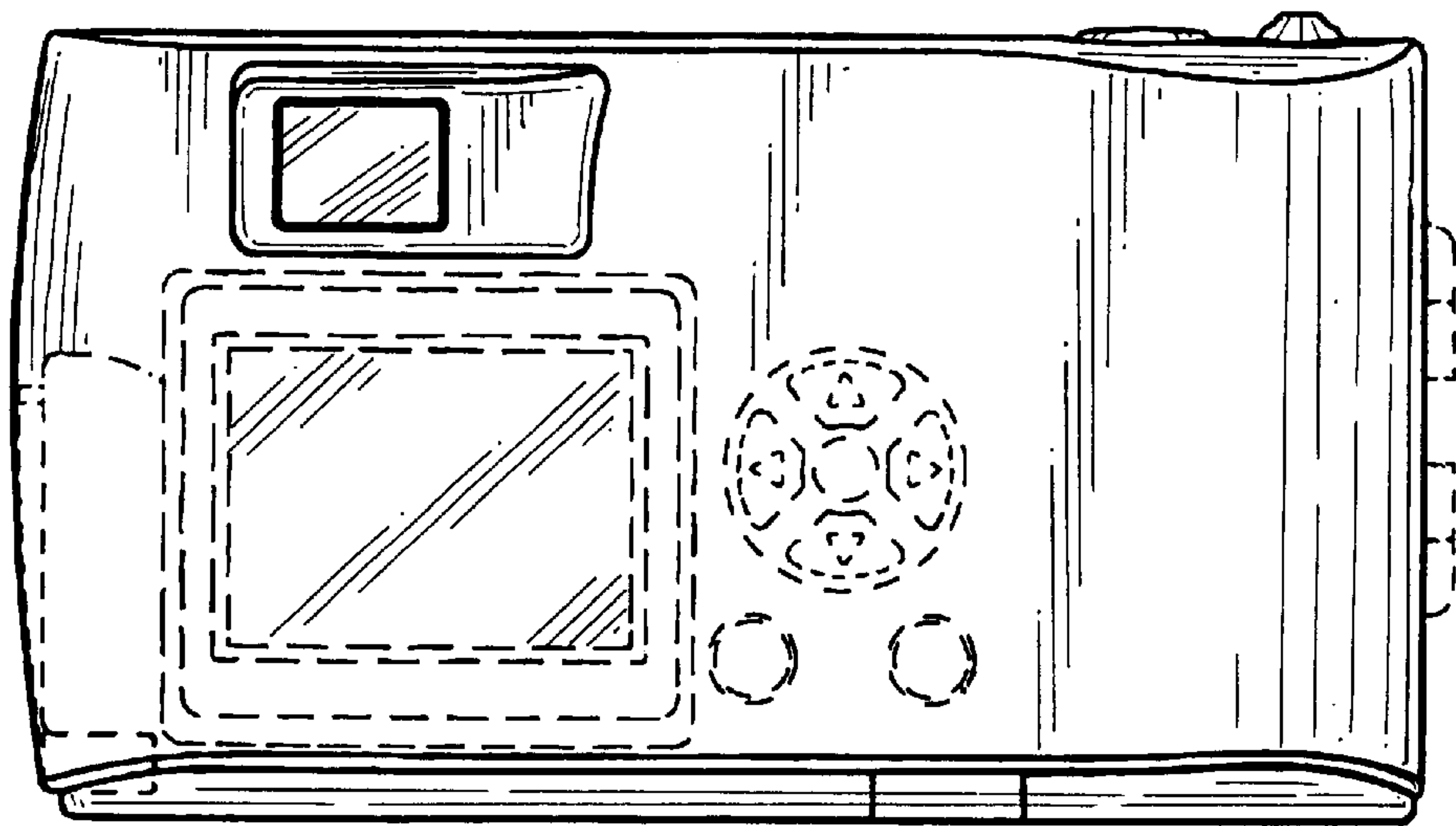


FIG. 7

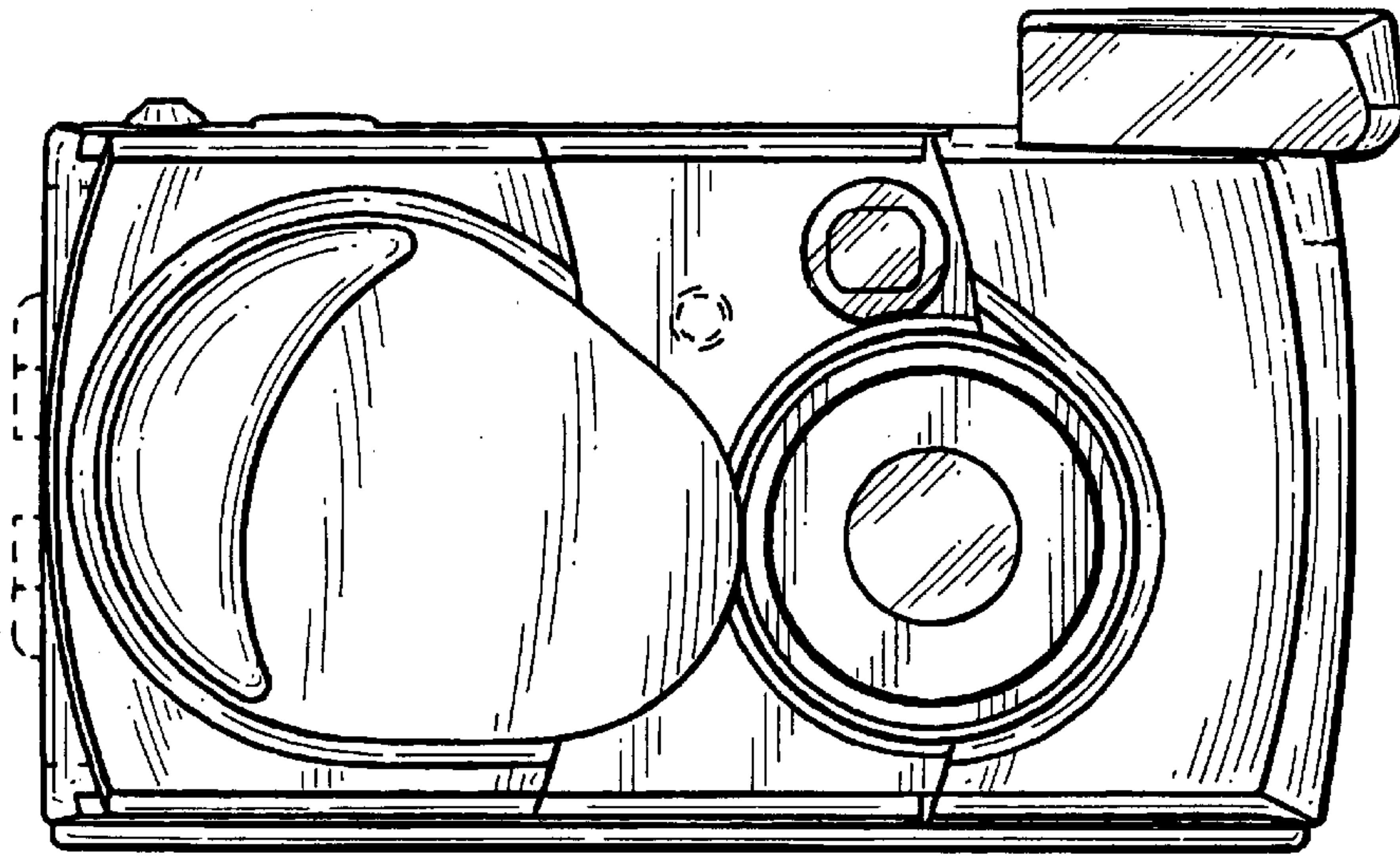


FIG. 8

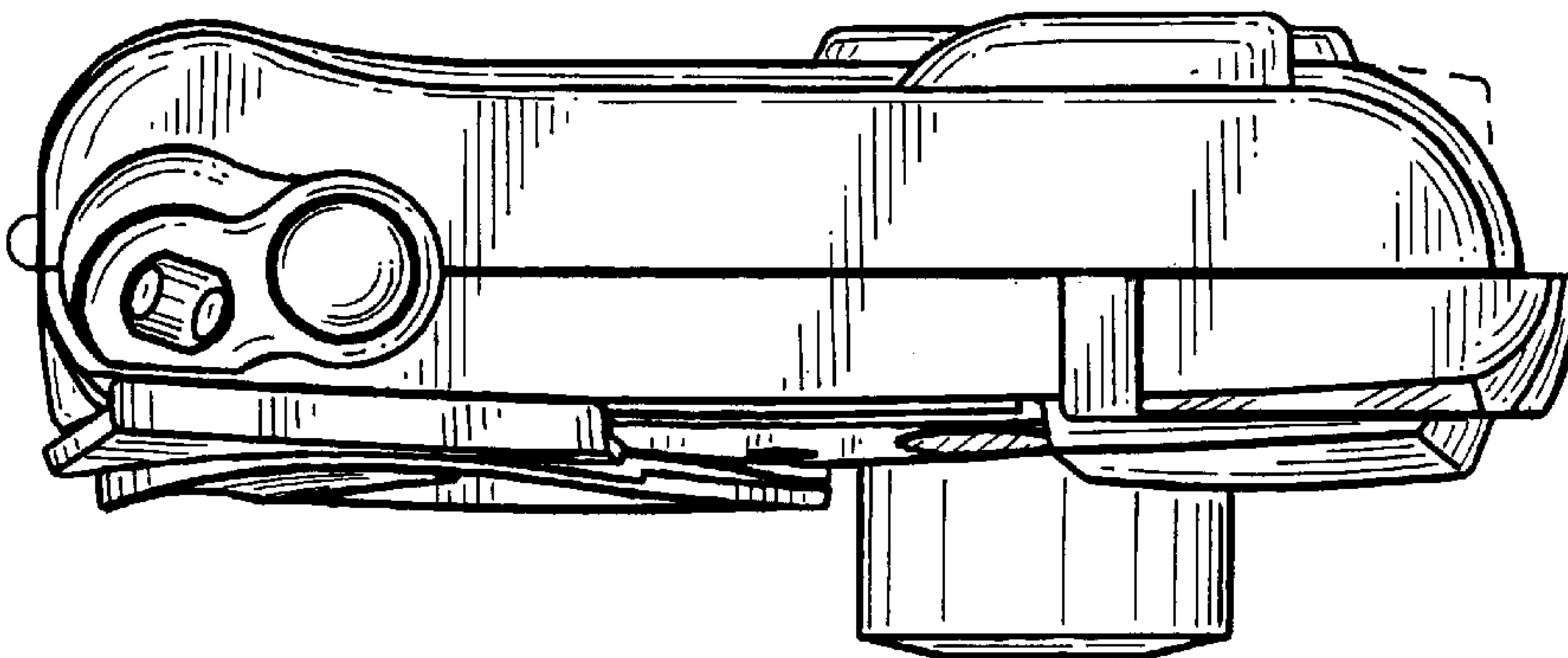


FIG. 9

