



US00D449322B1

(12) **United States Design Patent**  
**Ono et al.**

(10) **Patent No.:** **US D449,322 S**

(45) **Date of Patent:** **\*\* Oct. 16, 2001**

(54) **CAMERA LENS**

4,508,443 \* 4/1985 Matsuzaki et al. .... D16/134

(75) Inventors: **Arata Ono**, Urawa; **Jun Akabane**,  
Yokohama; **Yasuki Nagaoka**, Ohmiya;  
**Jun Konno**, Shinagawa-ku, all of (JP)

(73) Assignee: **Nikon Corporation**, Tokyo (JP)

(\*\*) Term: **14 Years**

(21) Appl. No.: **29/114,918**

(22) Filed: **Dec. 6, 1999**

(30) **Foreign Application Priority Data**

Jun. 14, 1999 (JP) ..... 11-15481

(51) **LOC (7) Cl.** ..... **16-06**

(52) **U.S. Cl.** ..... **D16/134; D16/219**

(58) **Field of Search** ..... D16/134, 136,  
D16/219, 237; 359/703, 704, 815, 819,  
826-828; 396/529-531

(56) **References Cited**

**U.S. PATENT DOCUMENTS**

- D. 343,631 \* 1/1994 Takahashi ..... D16/134
- D. 357,491 \* 4/1995 Takahashi ..... D16/134
- D. 390,857 \* 2/1998 Hayamizu ..... D16/134
- 4,118,713 \* 10/1978 Murakami et al. .... 396/529

**OTHER PUBLICATIONS**

Popular Photography, Jan. 1989 p. 39 (Tokina camera lenses).\*

Popular Photography, Nov. 1990 p. (Sigma camera lens).\*

\* cited by examiner

*Primary Examiner*—Adir Aronovich

(74) *Attorney, Agent, or Firm*—Oliff & Berridge, PLC

(57) **CLAIM**

The ornamental design for camera lens, as shown.

**DESCRIPTION**

FIG. 1 is a front view of camera lens showing our new design;

FIG. 2 is a left side view thereof;

FIG. 3 is a rear view thereof;

FIG. 4 is a right side view thereof;

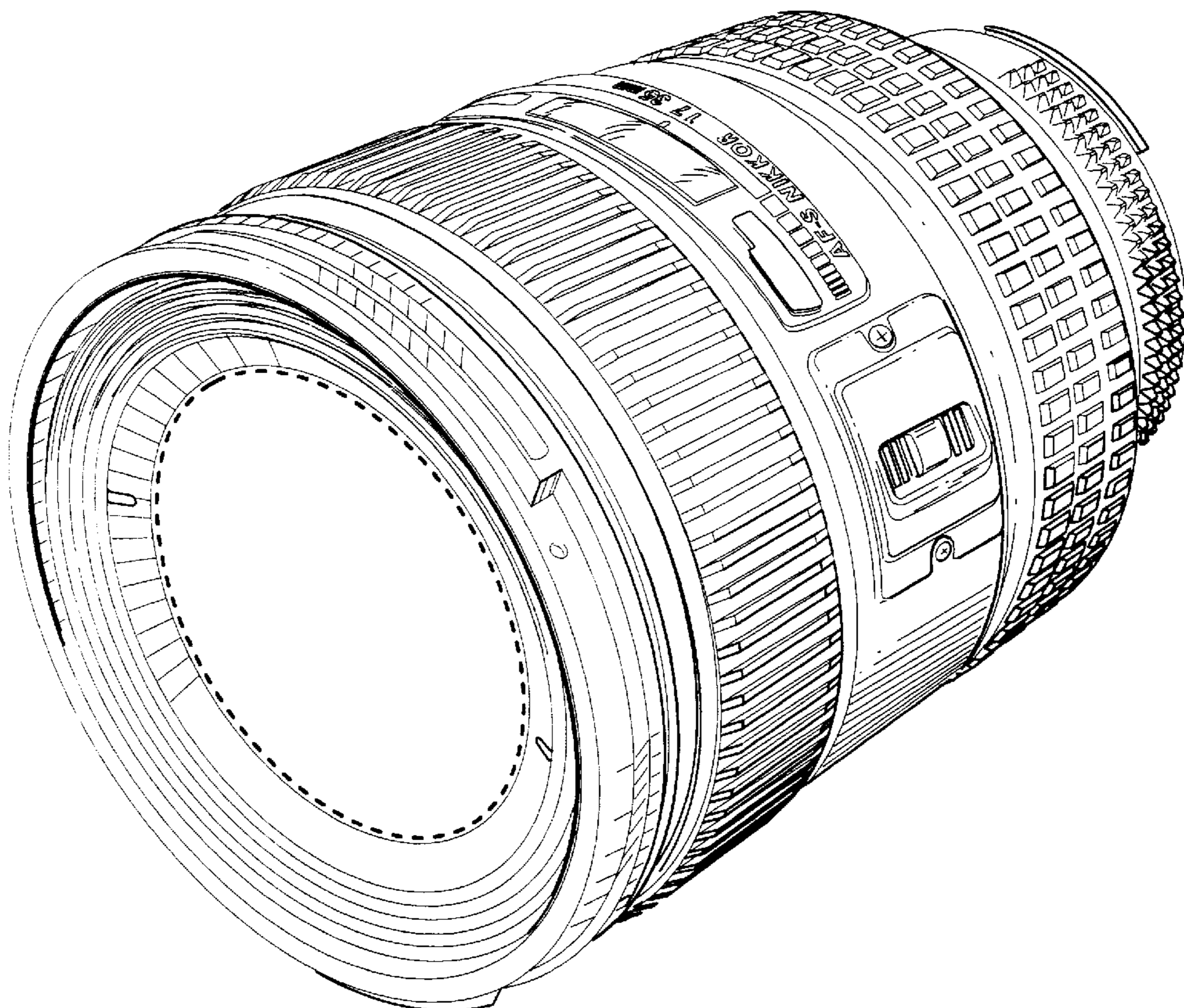
FIG. 5 is a top plan view thereof;

FIG. 6 is a bottom plan view thereof; and,

FIG. 7 is a front perspective view thereof.

The broken lines which define the bounds of the claimed design form no part thereof.

**1 Claim, 4 Drawing Sheets**



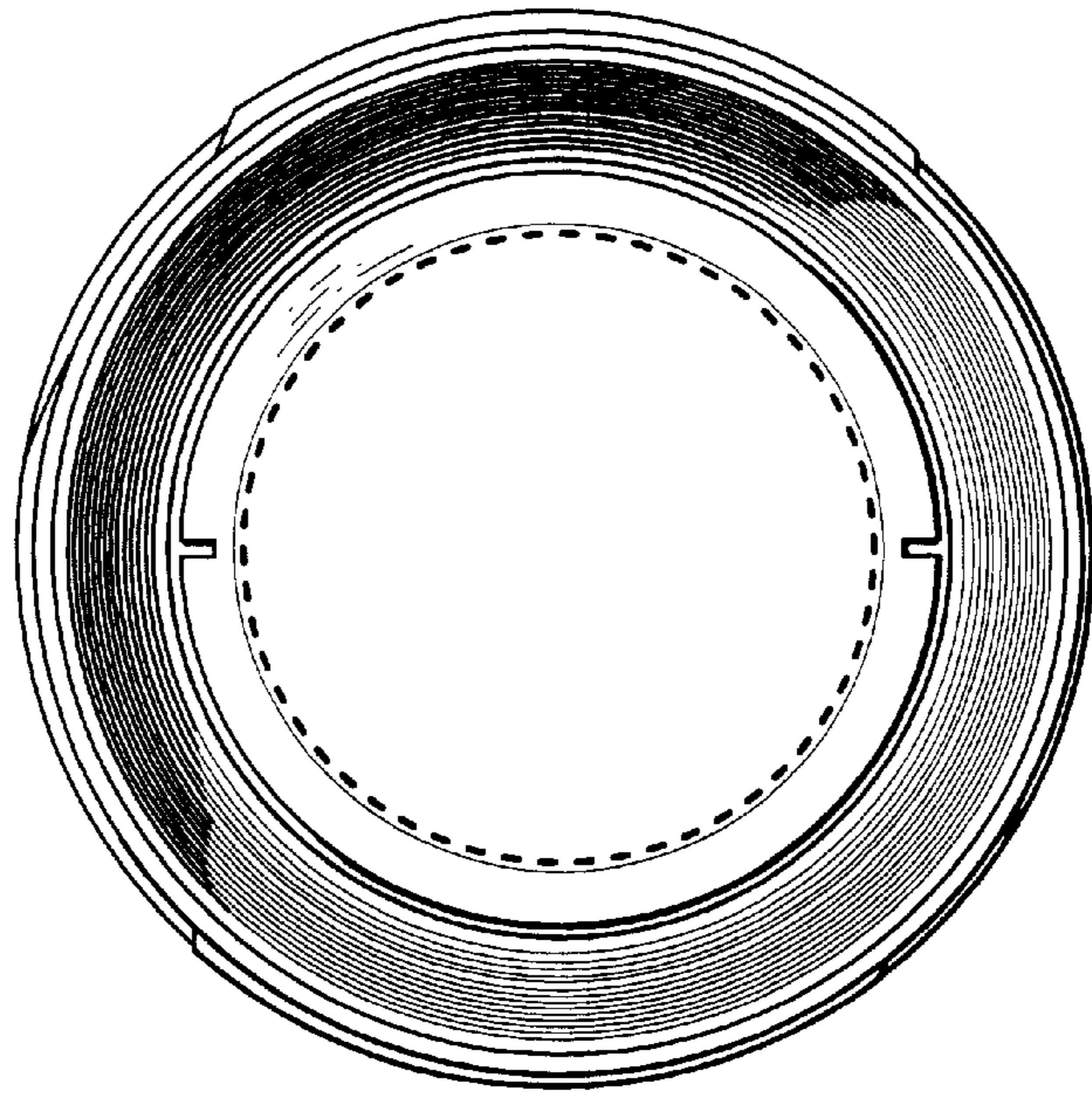


Fig. 1

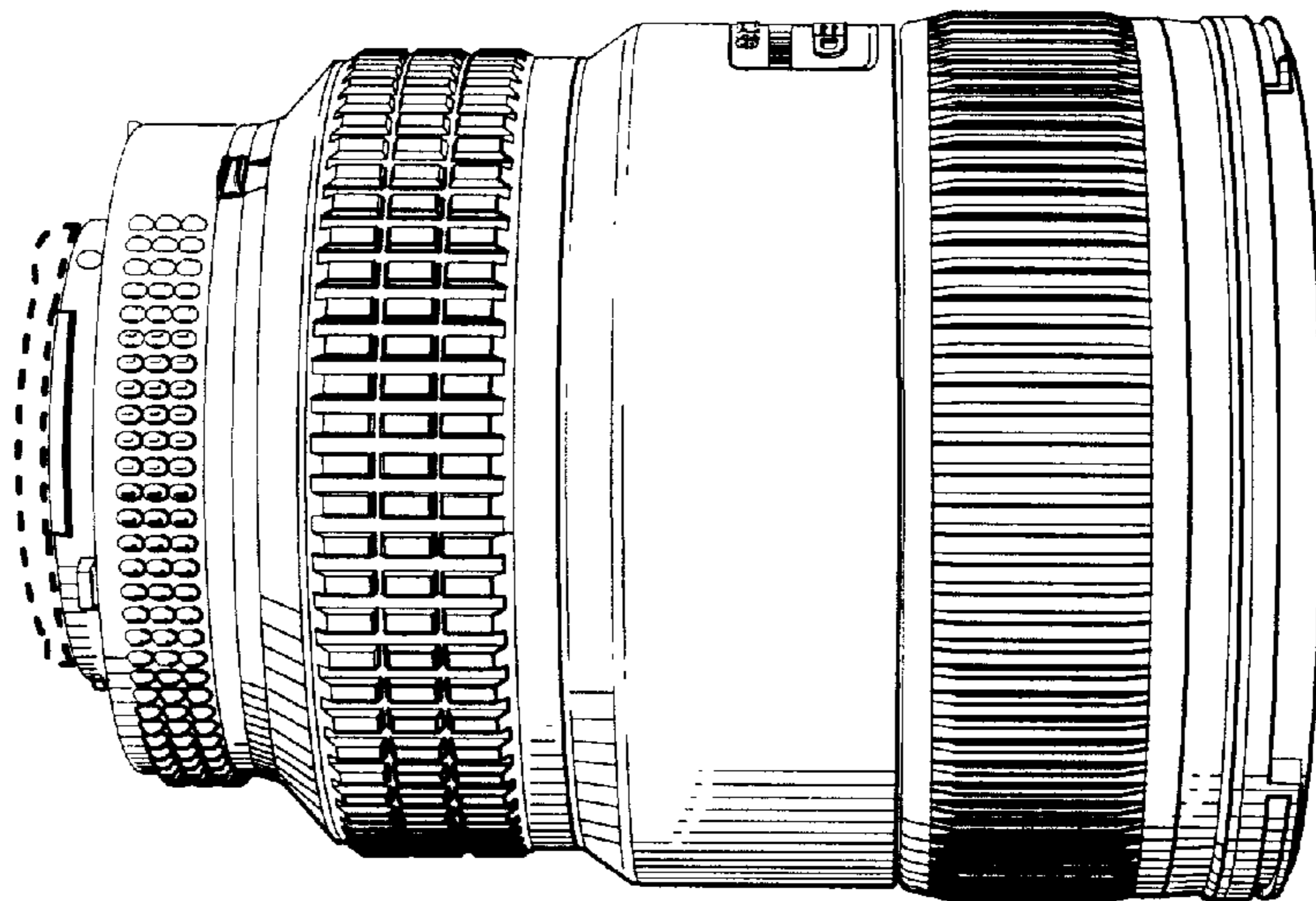


Fig. 2

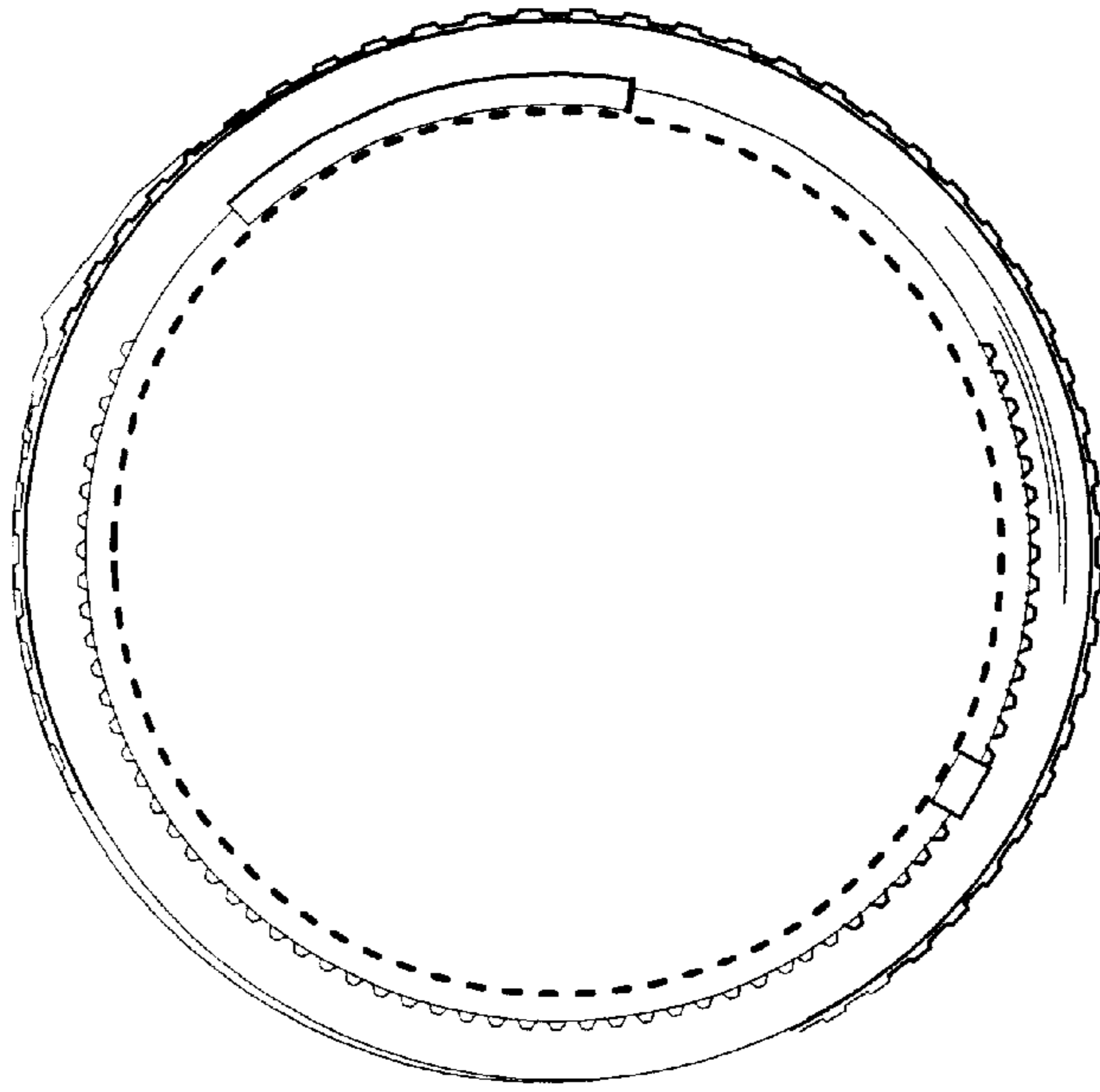


Fig. 3

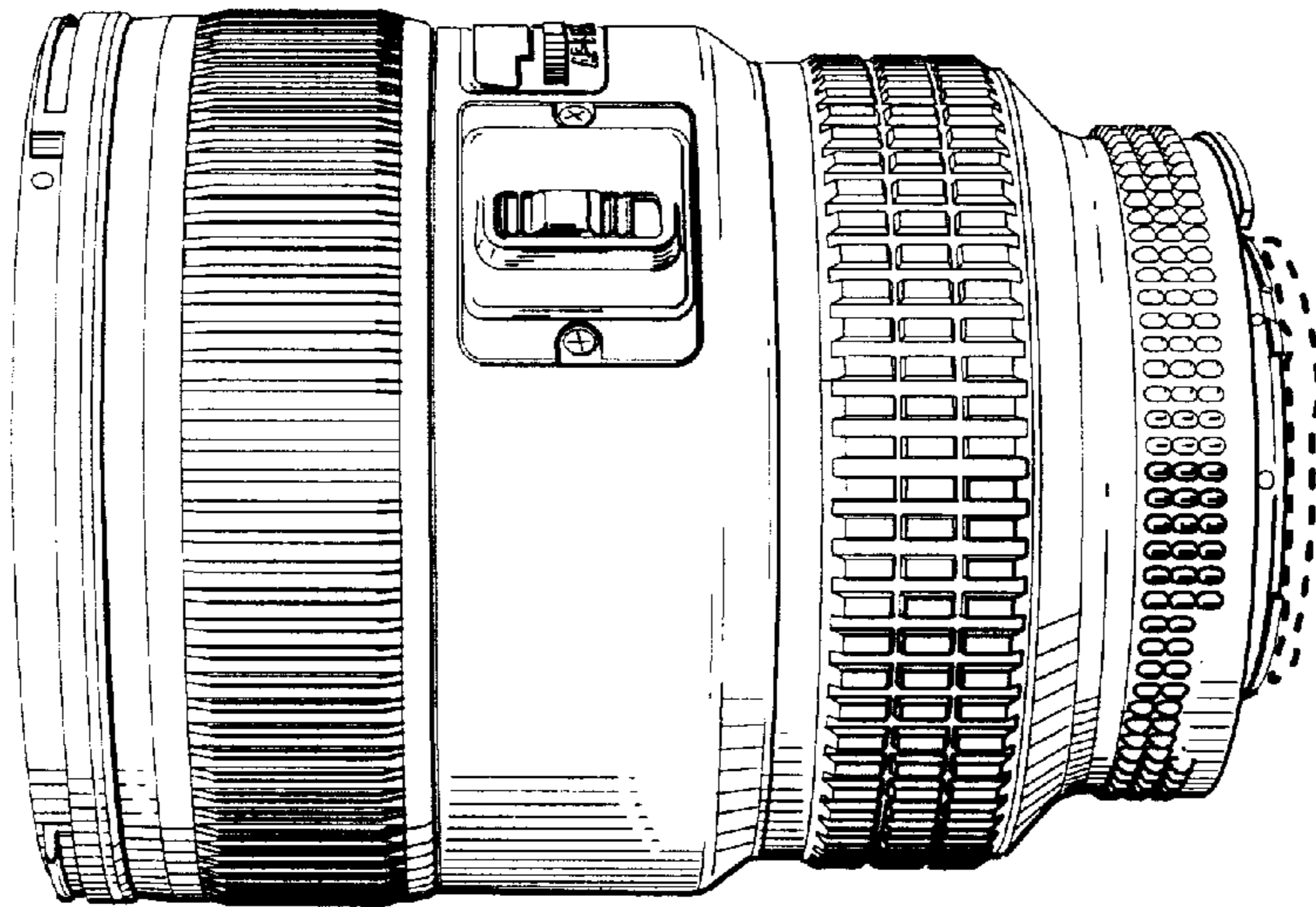


Fig. 4

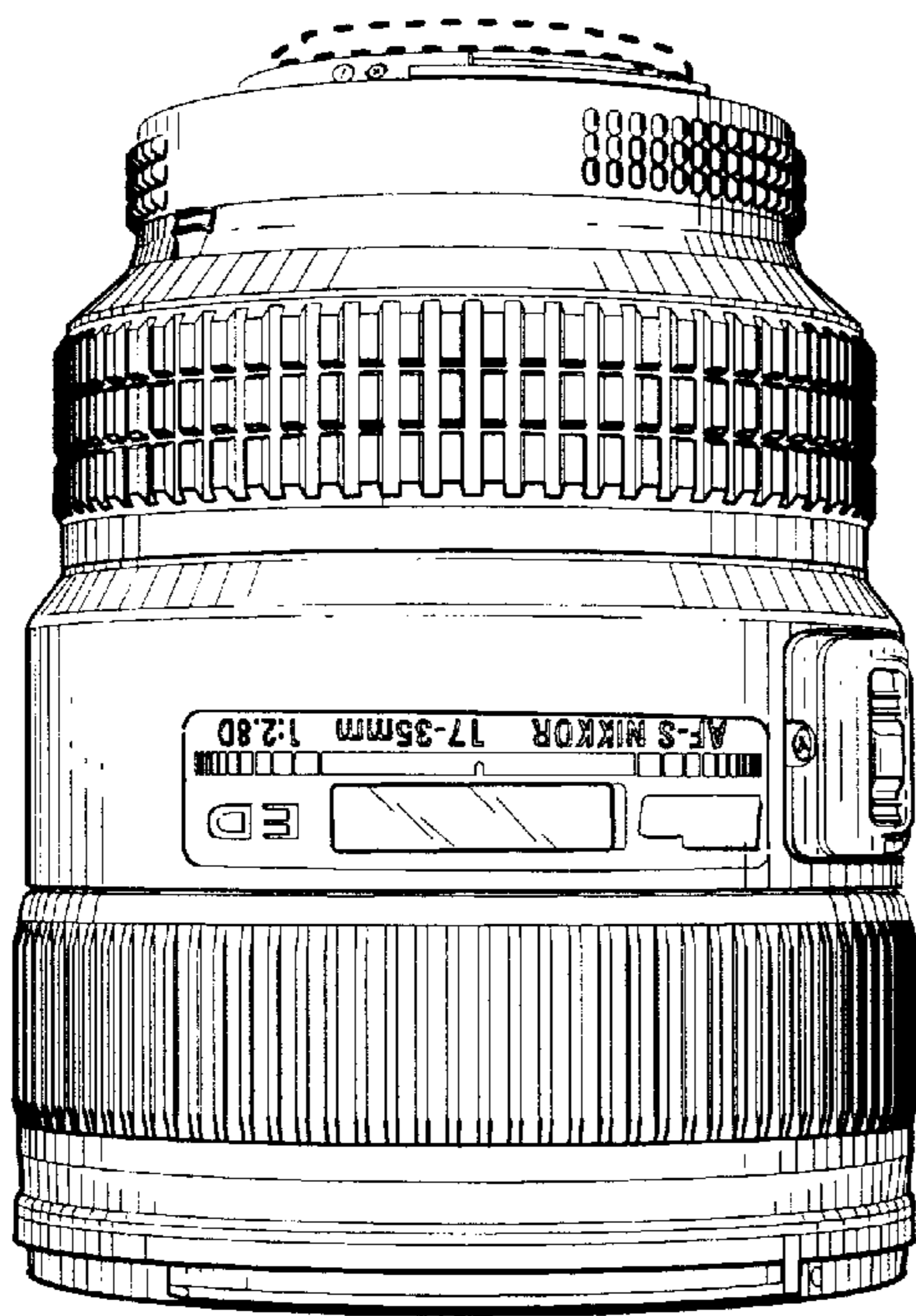


Fig. 5

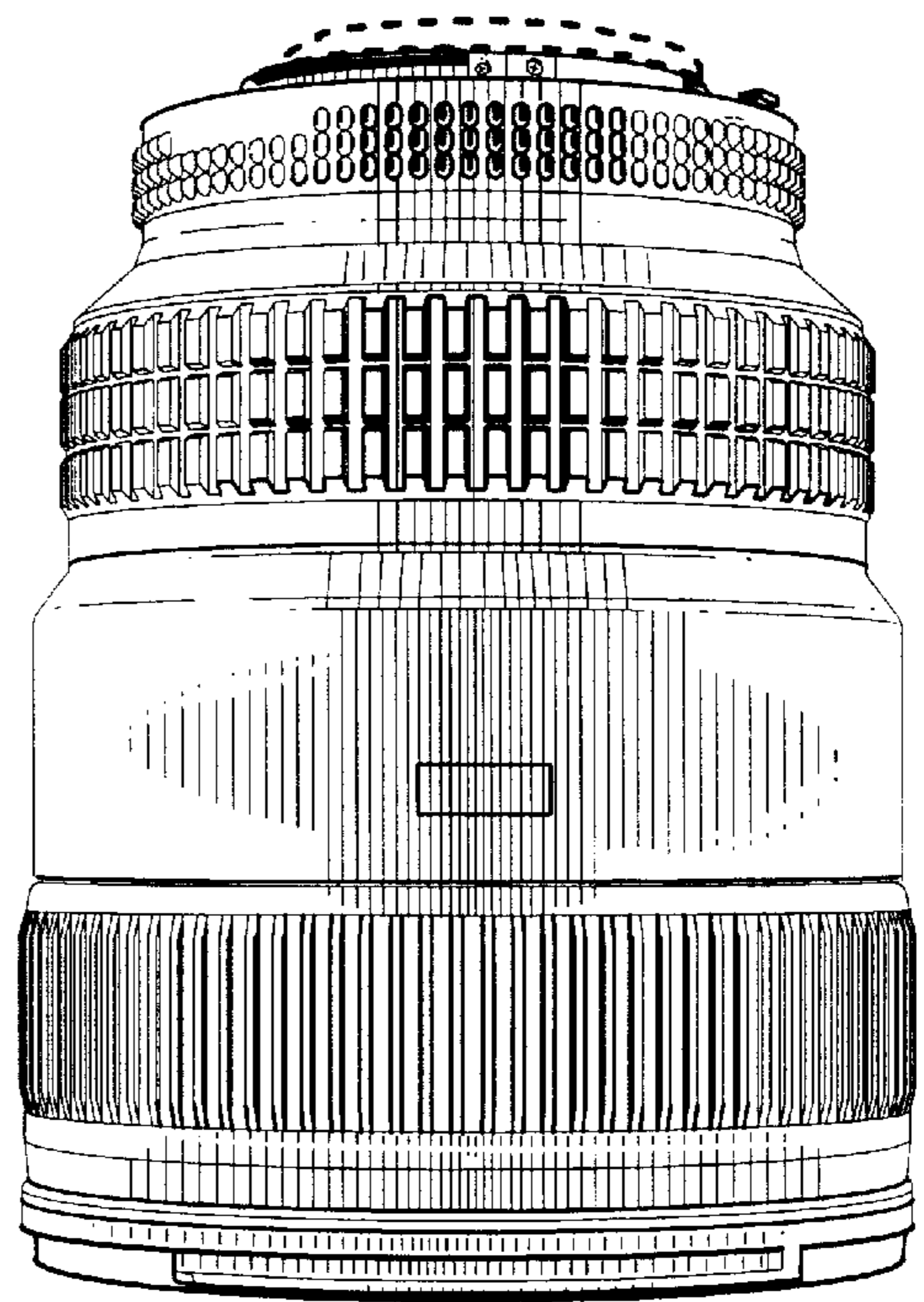


Fig. 6

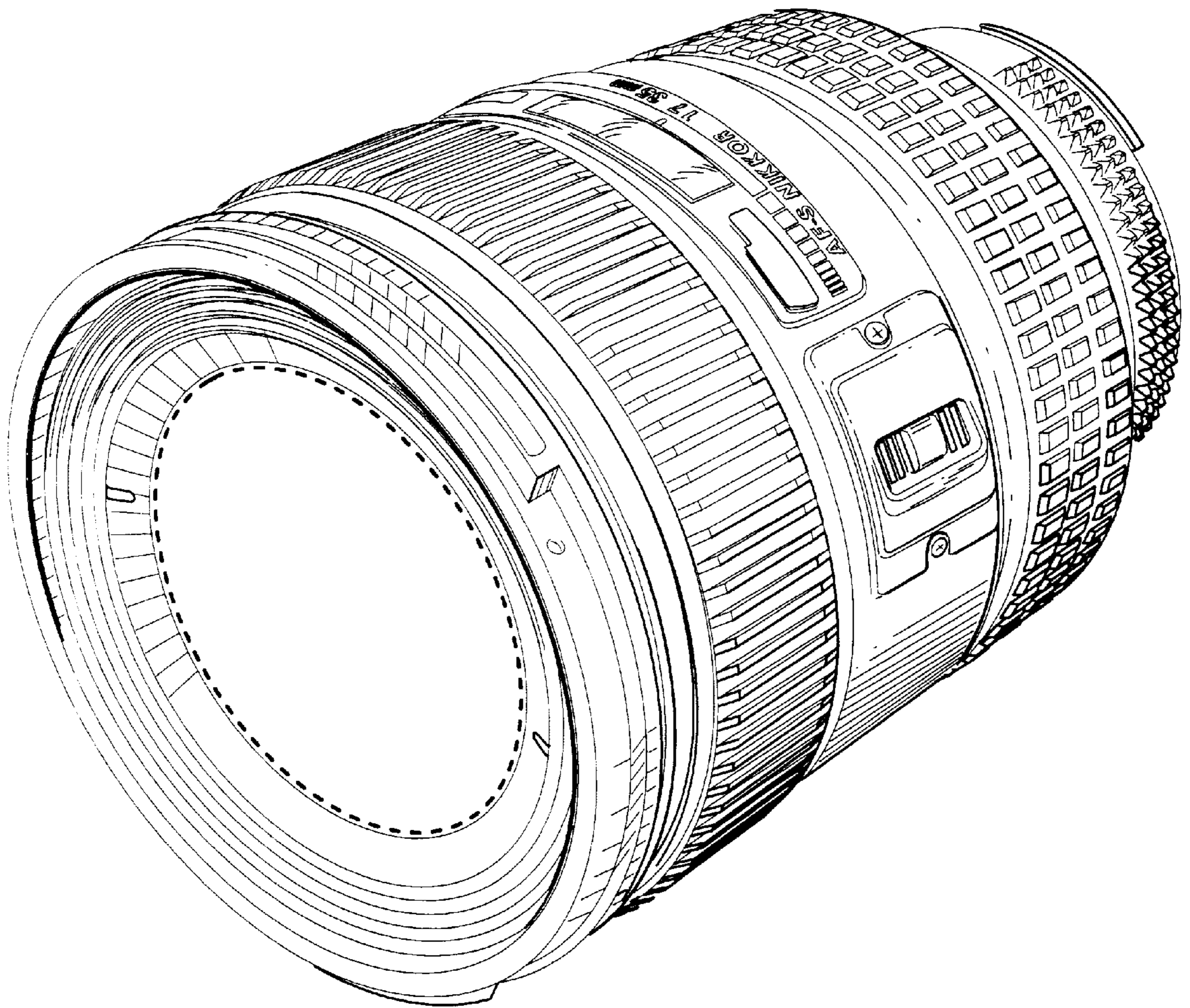


Fig. 7