



US00D449318B1

(12) **United States Design Patent**
Schoene et al.

(10) **Patent No.:** **US D449,318 S**

(45) **Date of Patent:** **** Oct. 16, 2001**

(54) **RIP FENCE FOR A TABLE SAW**

5,181,446 * 1/1993 Theising 83/438

(76) Inventors: **Keith R. Schoene**, 11 Olde Coventry Ct., St. Charles, MO (US) 63301;
Curtis J. Eccardt, 11 Cedar Fork Ct., Defiance, MO (US) 63341

* cited by examiner

Primary Examiner—Antoine Duval Davis

(**) Term: **14 Years**

(57) **CLAIM**

The ornamental design for a rip fence for a table saw, as shown and described.

(21) Appl. No.: **29/134,271**

DESCRIPTION

(22) Filed: **Dec. 18, 2000**

This application claims priority under 35 U.S.C. § 120 of U.S. Patent application No. 29/117,839, filed Jan. 31, 2000, and U.S. Patent application No. 09/495,733, filed Feb. 1, 2000, the entire specifications of which are incorporated by reference.

(51) **LOC (7) Cl.** **15-09**

(52) **U.S. Cl.** **D15/133**

(58) **Field of Search** D15/133; 83/75.5, 83/76.8, 76.9, 438, 468, 468.7, 477.2; 700/171

FIG. 1 is a perspective view of the rip fence for a table saw of the present invention;

FIG. 2 is a side view thereof;

FIG. 3 is a top view thereof;

FIG. 4 is a bottom view thereof; and,

FIG. 5 is a first end view thereof.

(56) **References Cited**

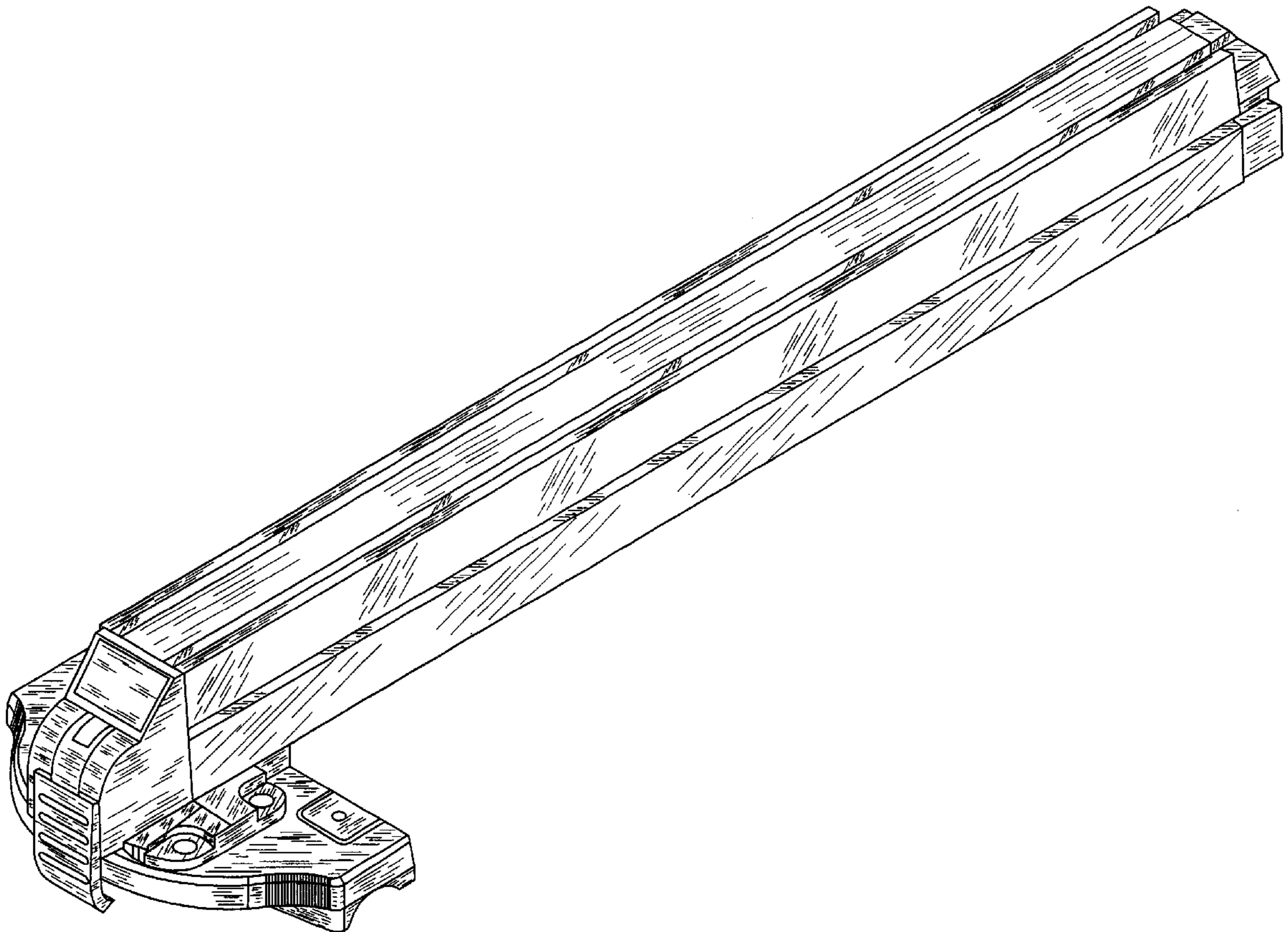
U.S. PATENT DOCUMENTS

D. 298,040 * 10/1988 Lafier et al. D15/133

D. 387,782 * 12/1997 Letendre D15/133

D. 415,177 * 10/1999 Miller et al. D15/133

1 Claim, 3 Drawing Sheets



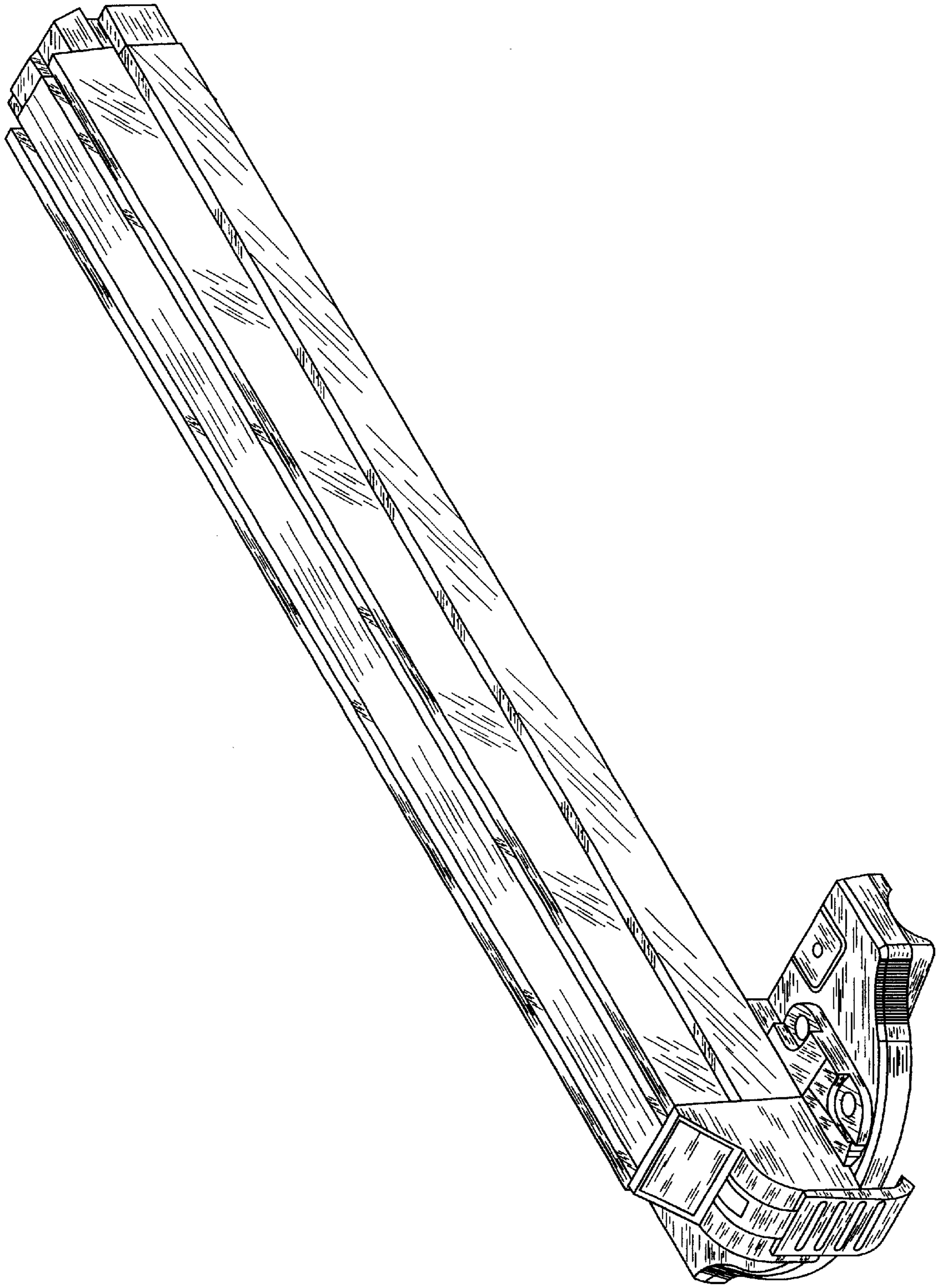


FIG. 1

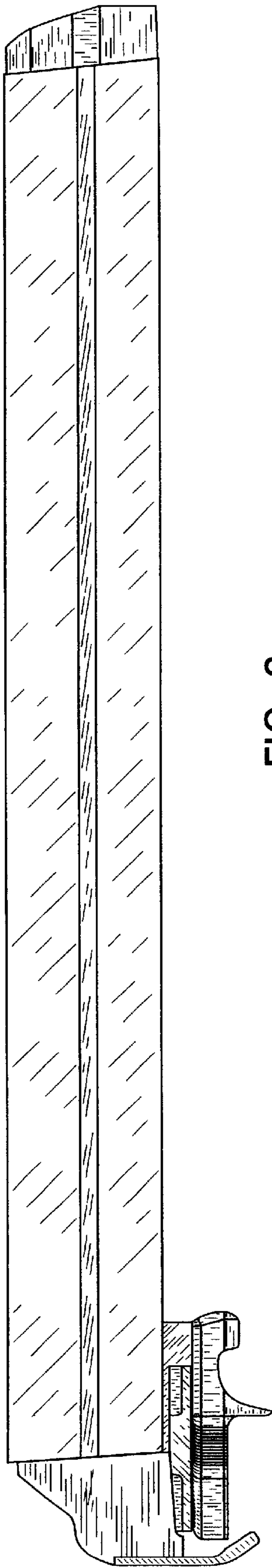


FIG. 2

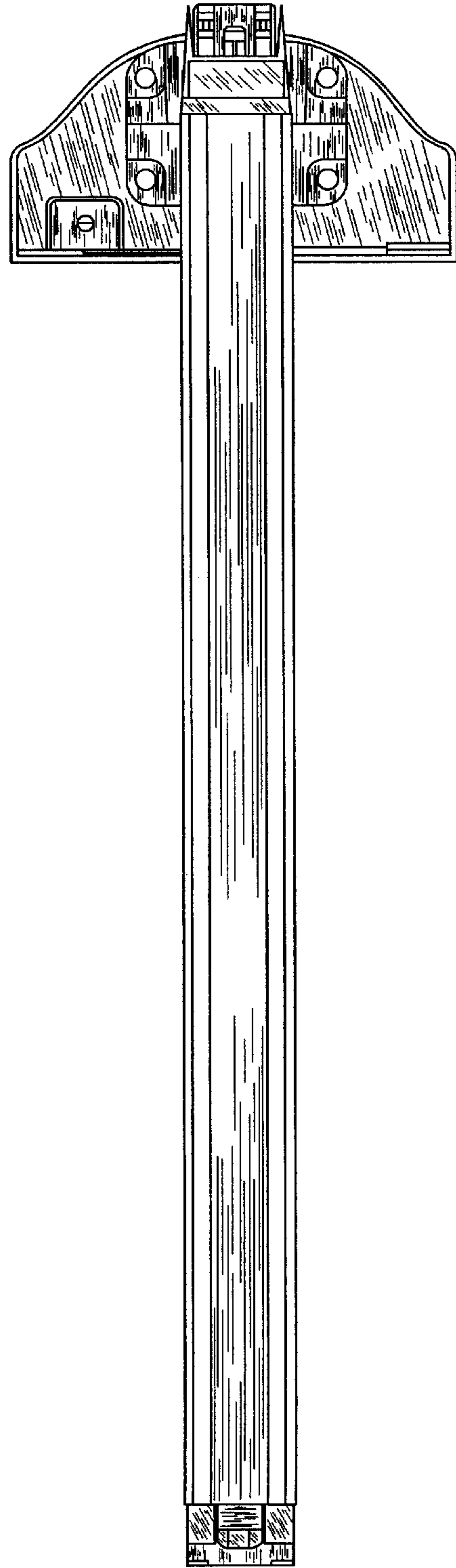


FIG. 3

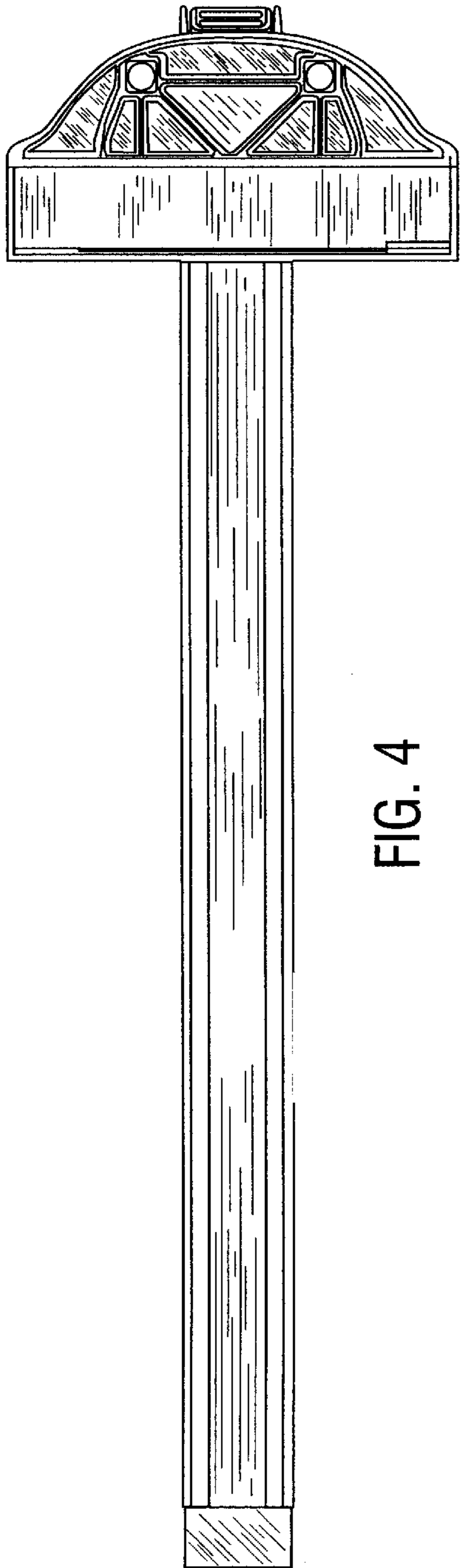


FIG. 4

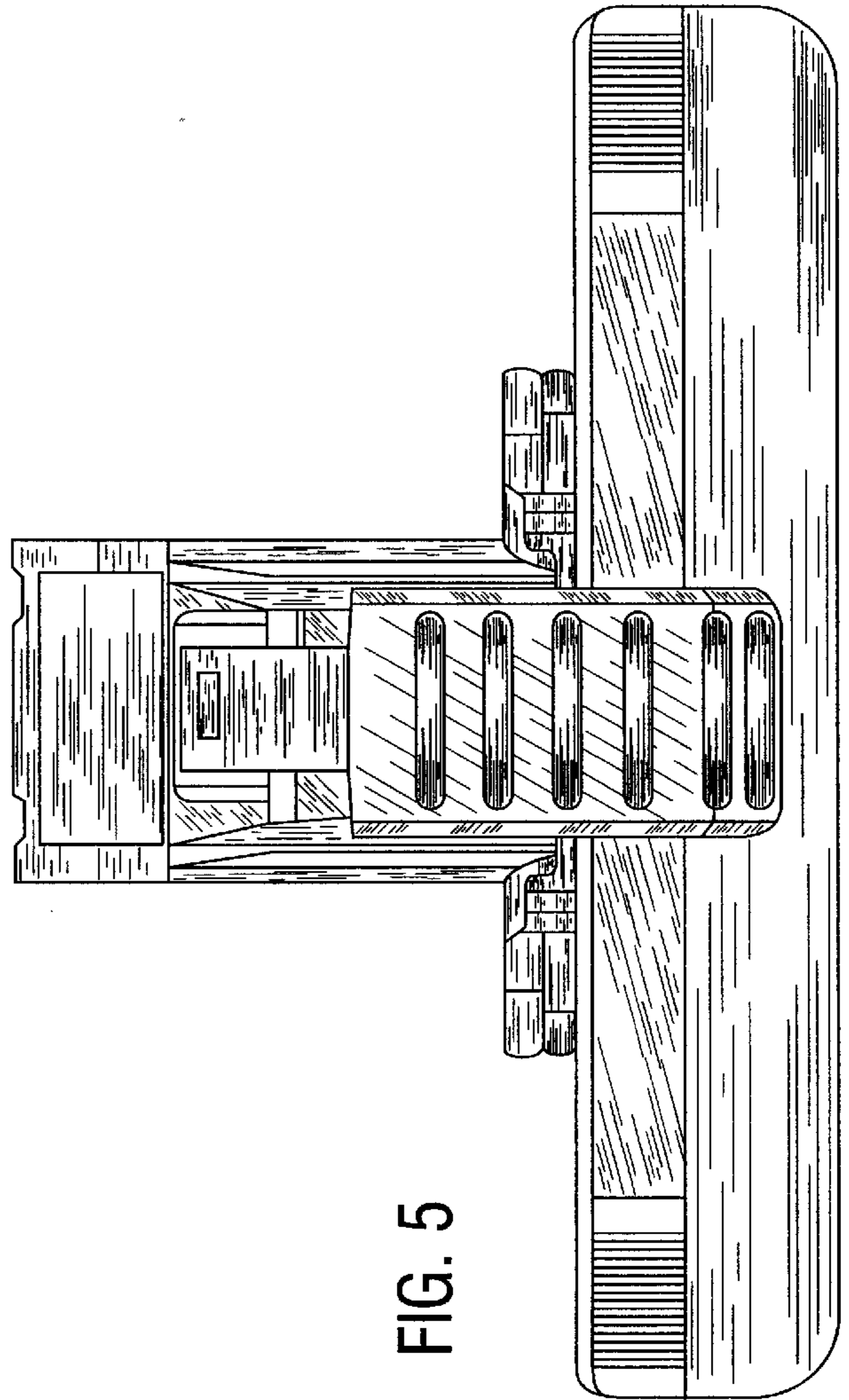


FIG. 5