



US00D449316B1

(12) **United States Design Patent**  
**Stauffer et al.**

(10) **Patent No.:** **US D449,316 S**

(45) **Date of Patent:** **\*\* Oct. 16, 2001**

(54) **BAR AND REFRIGERATOR UNIT**

D. 394,499 \* 5/1998 Bettag et al. .... D15/79  
D. 438,400 \* 3/2001 Acheson ..... D15/85

(75) Inventors: **Gordon L. Stauffer**, Green, MI (US);  
**Richard B. Detrick**, Ludlow Falls, OH (US)

\* cited by examiner

(73) Assignee: **Northland Corporation**, Richmond, IN (US)

*Primary Examiner*—Mitchell Siegel  
(74) *Attorney, Agent, or Firm*—Jacox, Meckstroth & Jenkins

(\*\*) Term: **14 Years**

(57) **CLAIM**

(21) Appl. No.: **29/128,855**

The ornamental design of a bar and refrigerator unit, as shown and described.

(22) Filed: **Aug. 31, 2000**

**DESCRIPTION**

(51) **LOC (7) Cl.** ..... **15-07**

FIG. 1 is a perspective view of a bar and refrigerator unit showing our new design;

(52) **U.S. Cl.** ..... **D15/79**

FIG. 2 is a side view thereof;

(58) **Field of Search** ..... D15/79, 81, 85,  
D15/86; 62/258, 292

FIG. 3 is an opposite side view thereof;

FIG. 4 is an end view thereof;

FIG. 5 is an opposite end view thereof; and,

FIG. 6 is a top view thereof.

(56) **References Cited**

**U.S. PATENT DOCUMENTS**

D. 205,260 \* 7/1966 Blasco ..... D15/86

**1 Claim, 3 Drawing Sheets**

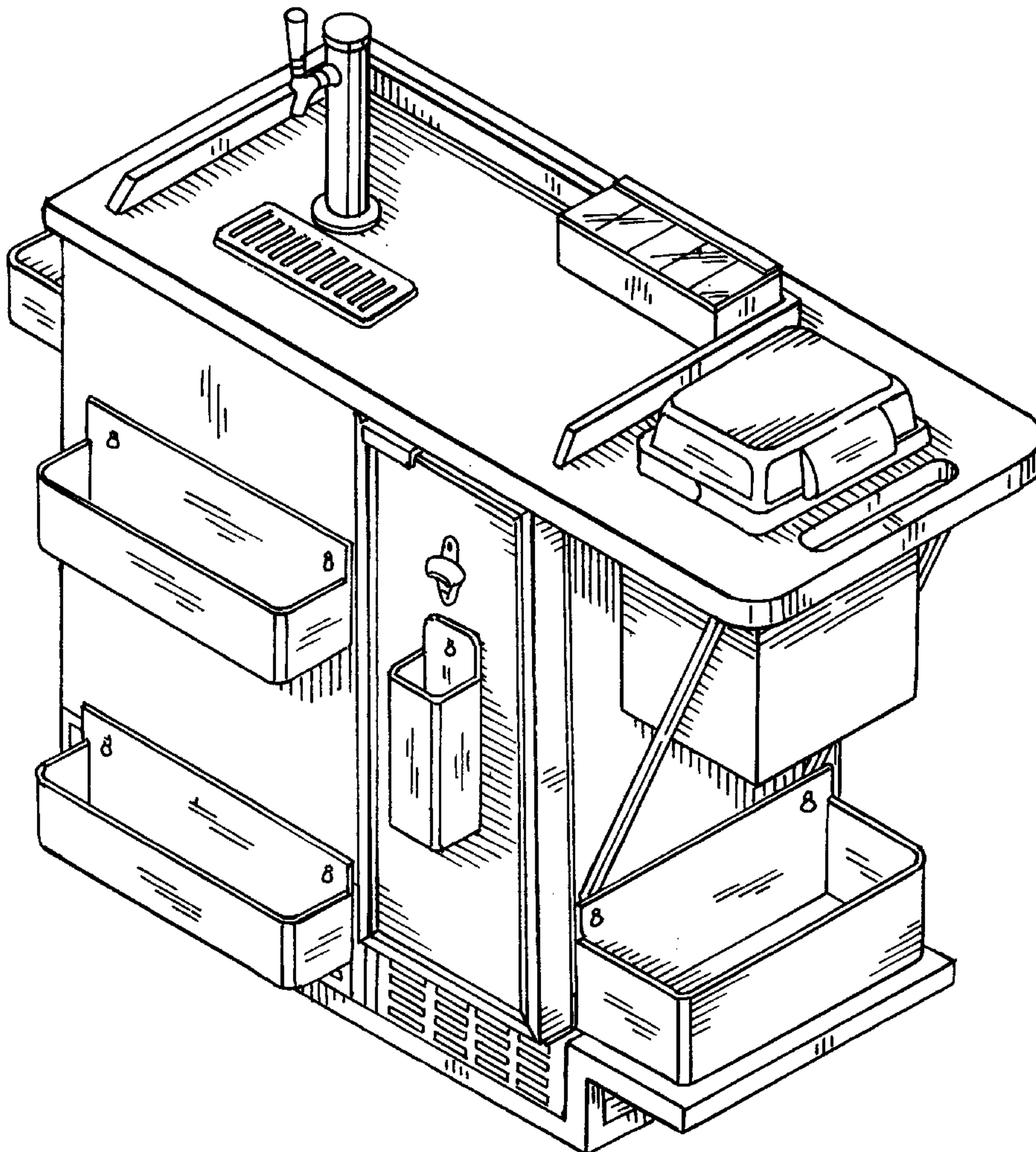


FIG-1

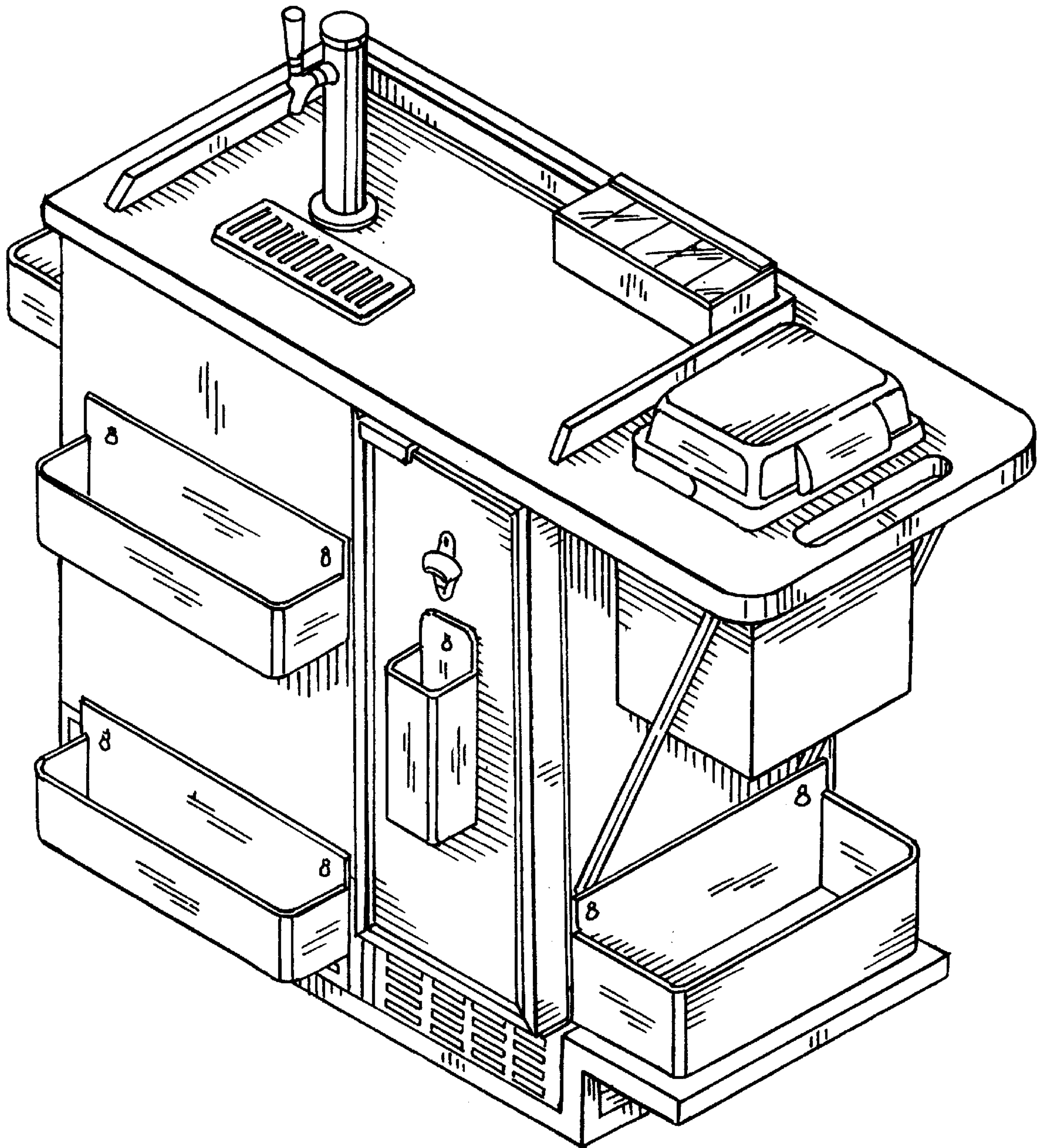


FIG-2

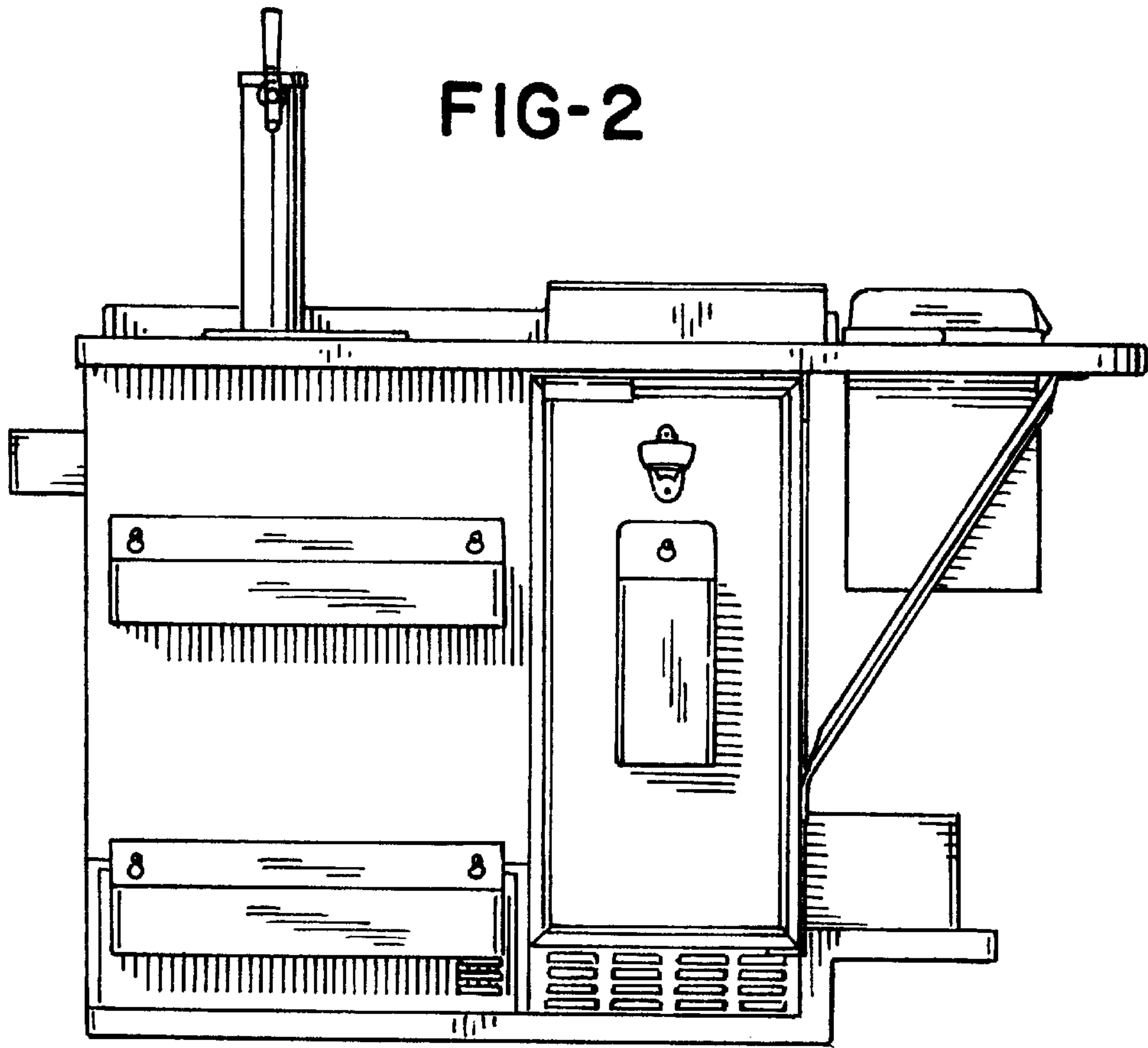


FIG-3

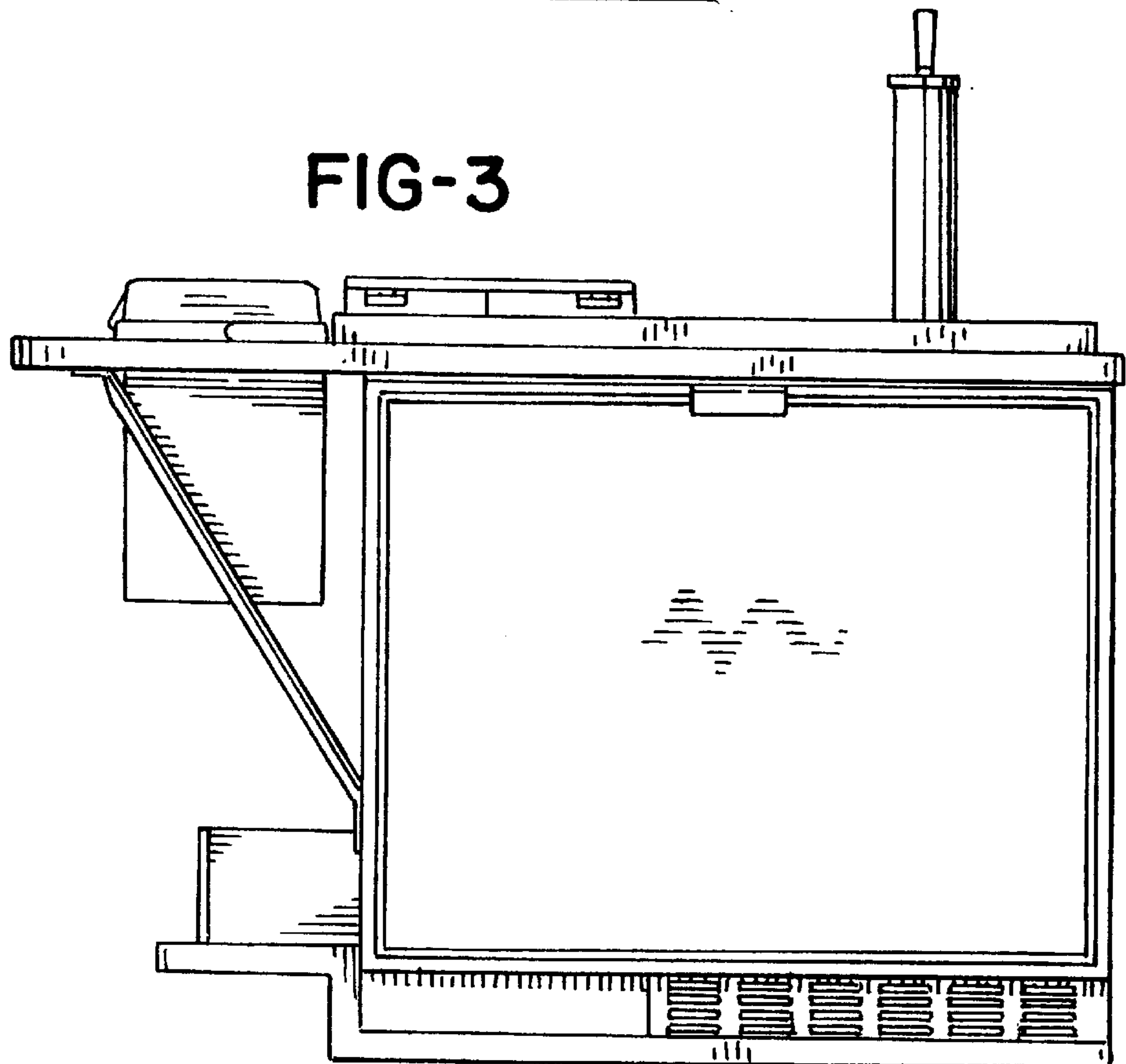




FIG-4

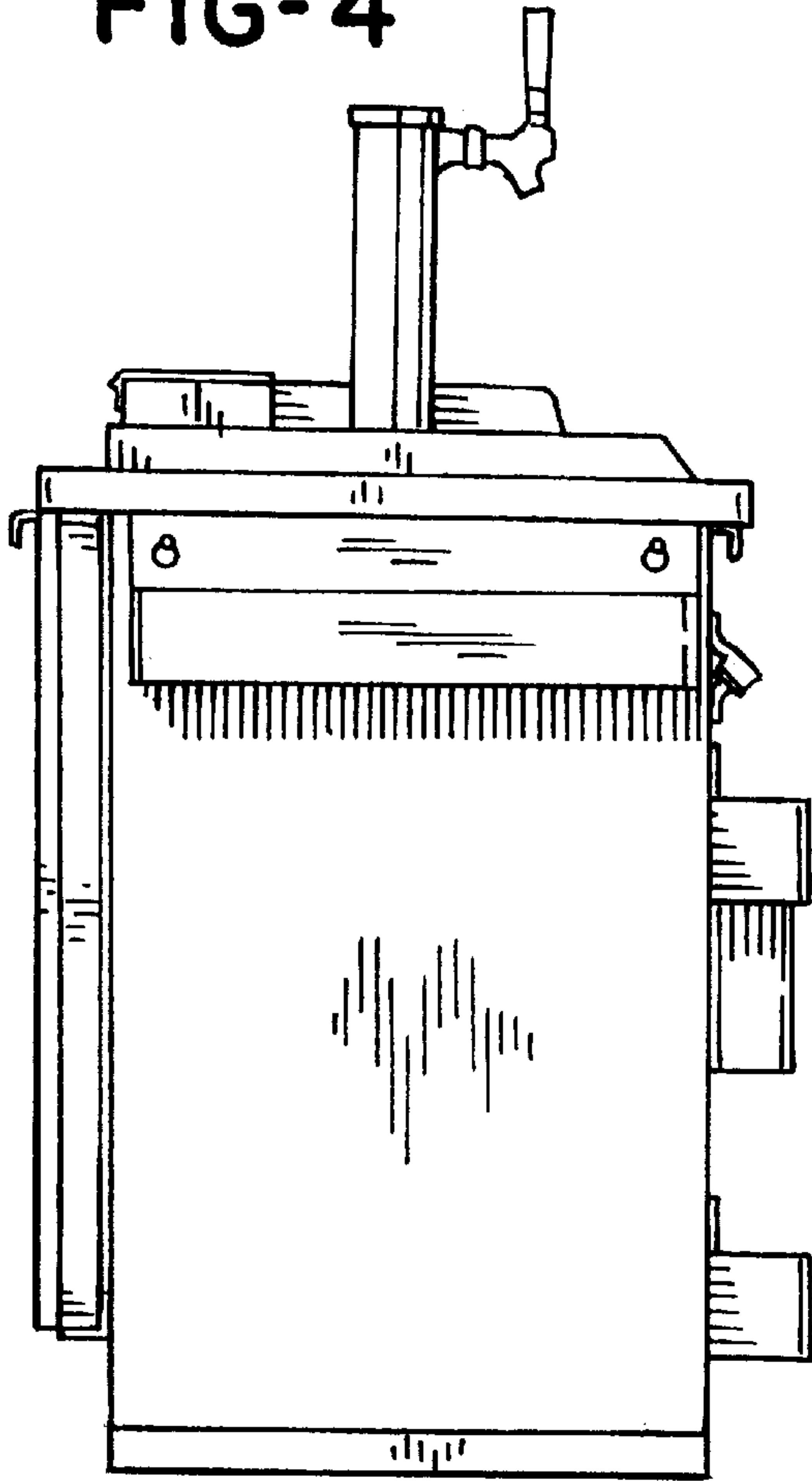


FIG-5

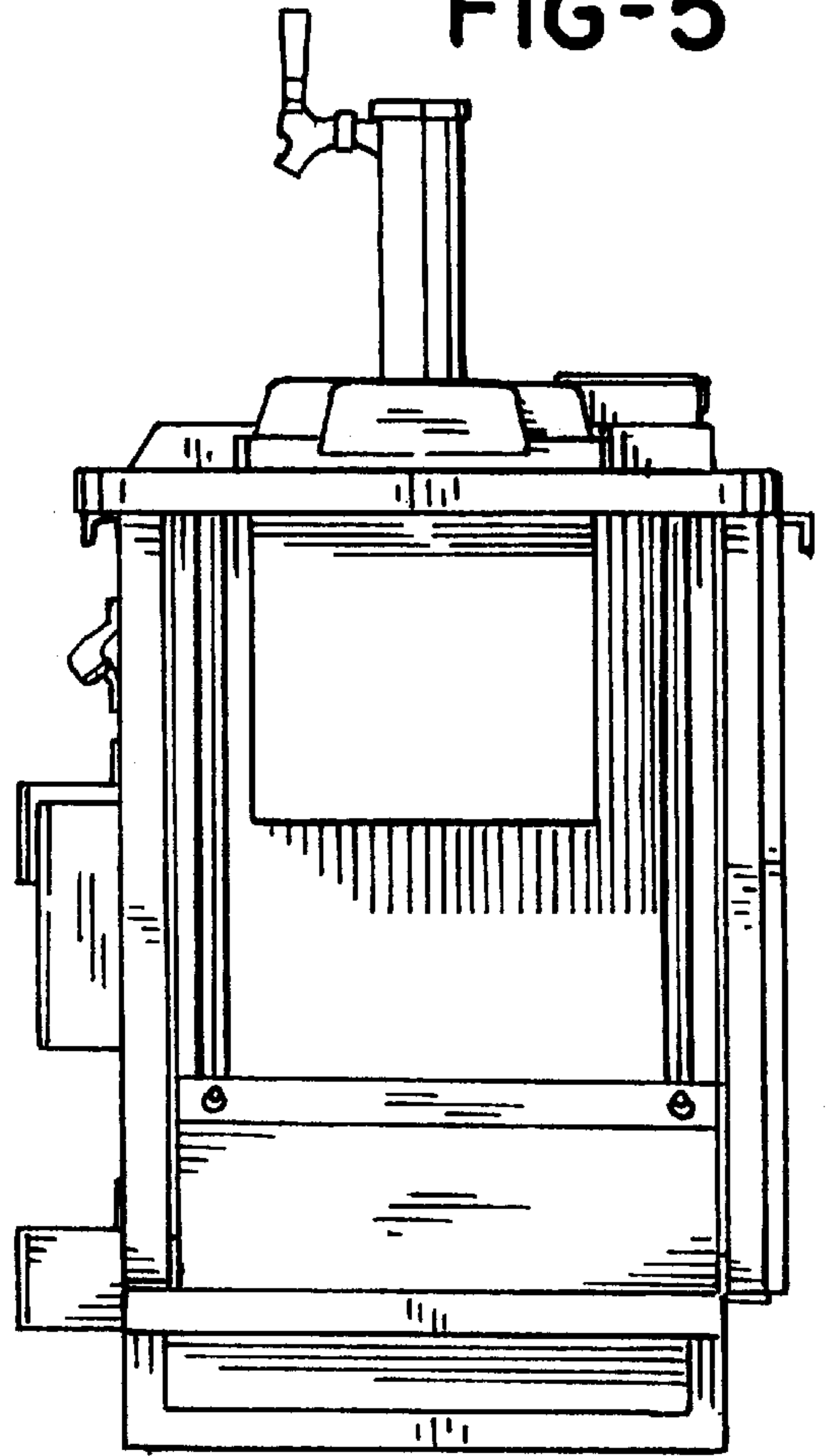


FIG-6

