



US00D449315B1

(12) **United States Design Patent**
Degelman

(10) **Patent No.:** **US D449,315 S**

(45) **Date of Patent:** **** Oct. 16, 2001**

(54) **MULTI-FUNCTIONAL SELF-PROPELLED FARM TRACTOR**

2,618,509 * 11/1952 Carlson 239/168
5,190,218 * 3/1993 Kayser et al. 239/172
6,138,770 * 10/2000 Kayser 239/172

(75) Inventor: **Wilfred J. Degelman, Regina (CA)**

* cited by examiner

(73) Assignee: **Degelman Industries Ltd., Saskatchewan (CA)**

Primary Examiner—Mitchell Siegel

(**) Term: **14 Years**

(74) *Attorney, Agent, or Firm*—Sughrue, Mion, Zinn, Macpeak & Seas, PLLC

(21) Appl. No.: **29/124,985**

(22) Filed: **Jun. 16, 2000**

(57) **CLAIM**

The design for the multi-functional self-propelled farm tractor, as shown.

(51) **LOC (7) Cl.** **12-09**

DESCRIPTION

(52) **U.S. Cl.** **D15/23**

(58) **Field of Search** D15/23-25; 239/142, 239/175, 157, 164-169; 172/677, 272; 280/460.1

FIG. 1 is a side view of the multi-functional self-propelled farm tractor;

FIG. 2 is a front view thereof;

FIG. 3 is a top view thereof; and,

FIG. 4 is a top view of an alternative embodiment thereof.

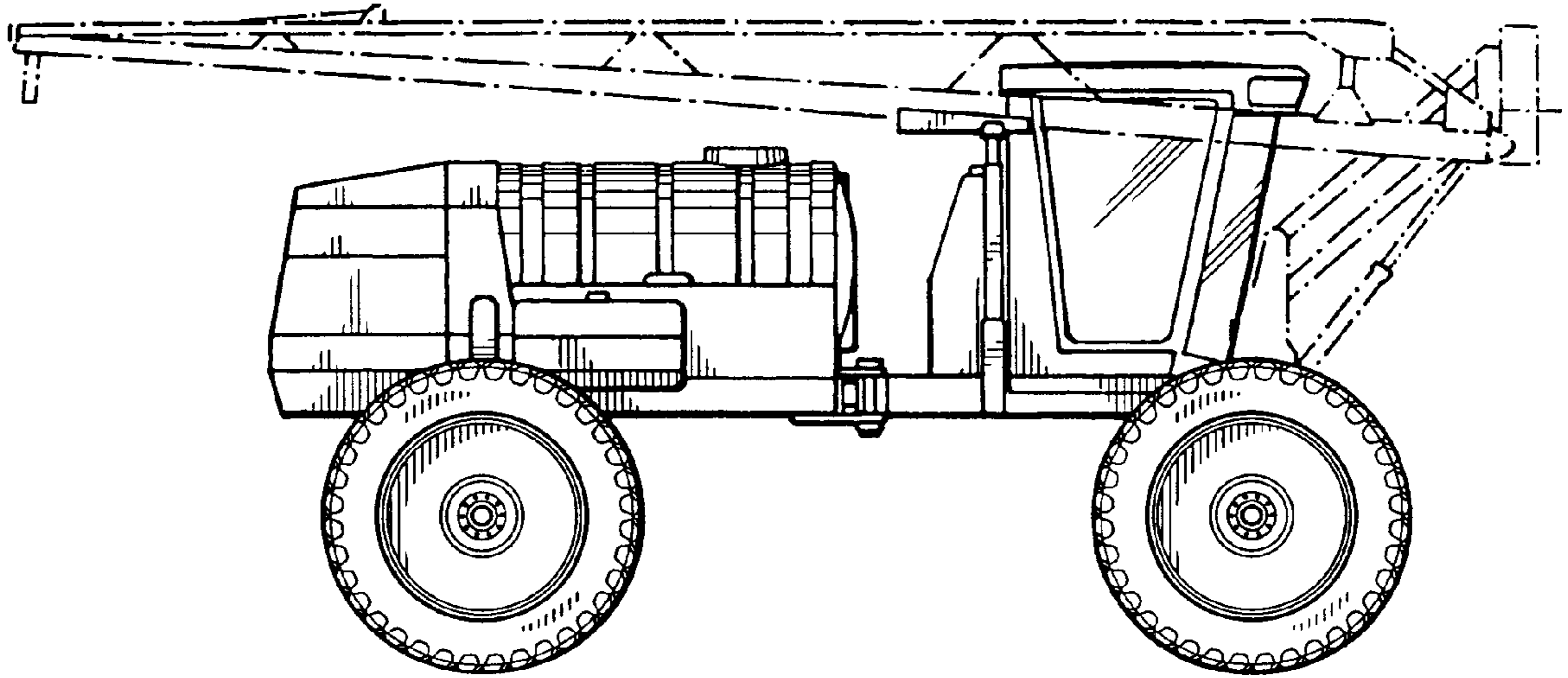
The broken line showing is for illustrative purposes only and forms no part of the claimed design.

(56) **References Cited**

U.S. PATENT DOCUMENTS

D. 201,127 * 5/1965 Geer D15/23

1 Claim, 3 Drawing Sheets



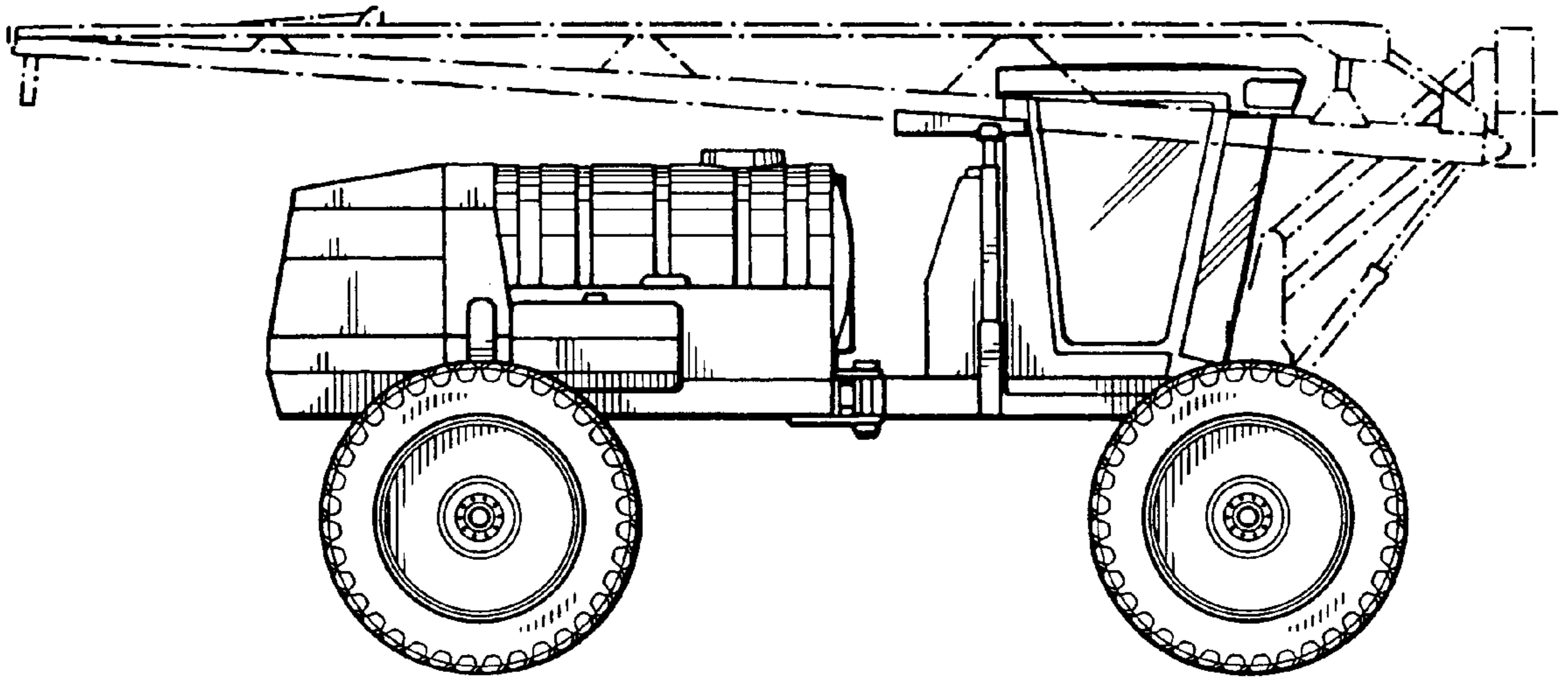


FIG. 1

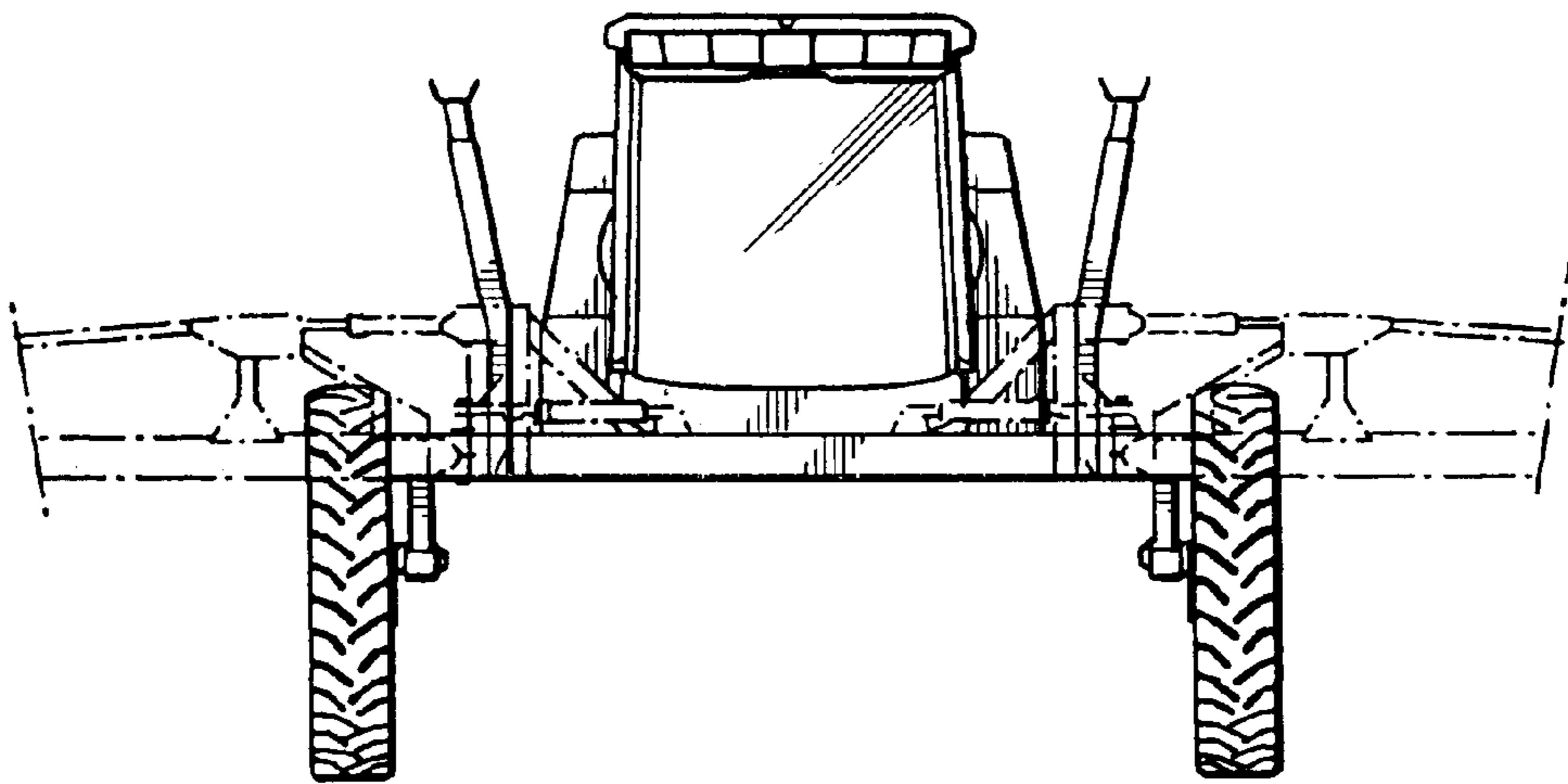


FIG. 2

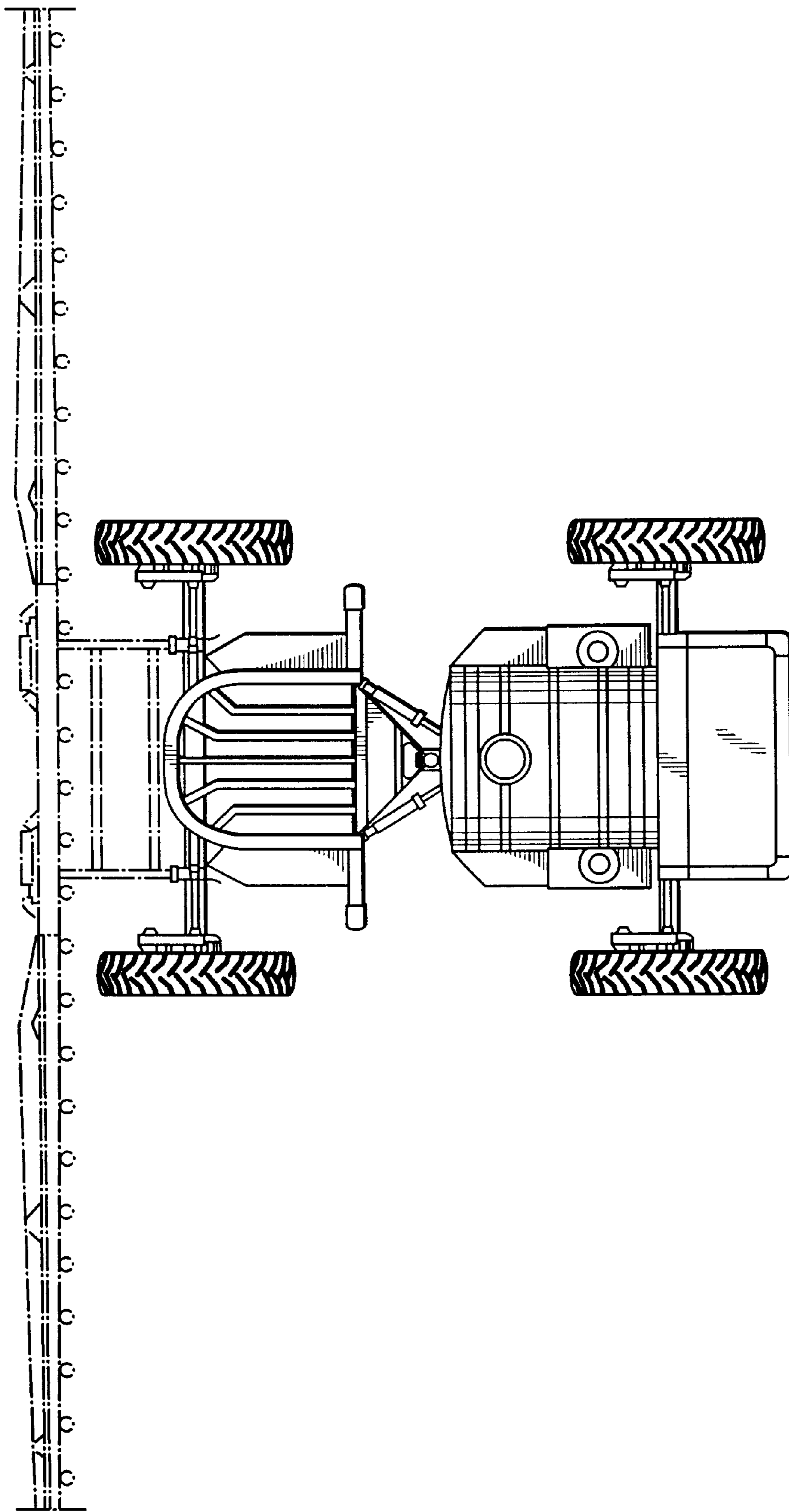


FIG. 3

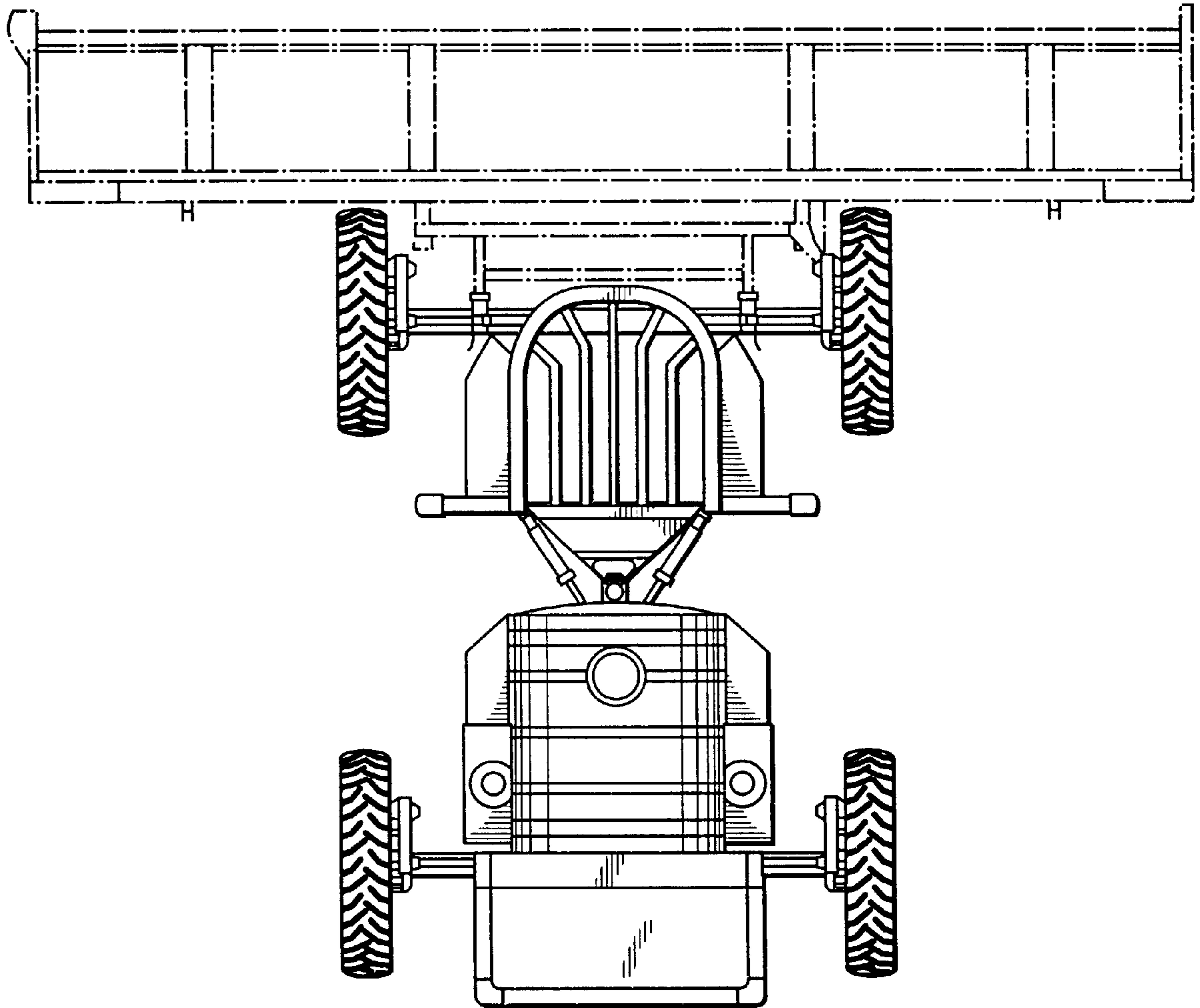


FIG. 4