



US00D449314B1

(12) **United States Design Patent**
Neuerburg

(10) **Patent No.:** **US D449,314 S**

(45) **Date of Patent:** **** Oct. 16, 2001**

(54) **MOWER ELEMENT**

(75) Inventor: **Horst Neuerburg**, Saverne (FR)

(73) Assignee: **Kuhn, S.A.**, Saverne Cedex (FR)

(**) Term: **14 Years**

(21) Appl. No.: **29/108,953**

(22) Filed: **Aug. 9, 1999**

(30) **Foreign Application Priority Data**

Feb. 15, 1999 (FR) 99 1126

(51) **LOC (7) Cl.** **14-18**

(52) **U.S. Cl.** **D15/17**

(58) **Field of Search** D15/17; 30/276,
30/347; 56/255, 289, 17.5, 503, DIG. 17,
DIG. 20, 295

(56) **References Cited**

U.S. PATENT DOCUMENTS

- D. 264,042 4/1982 Hisashi et al. .
- D. 268,641 4/1983 Bonforte .
- D. 289,524 4/1987 Andersson et al. .
- D. 357,691 4/1995 Bryant .
- 2,669,084 * 2/1954 Warren .
- 2,924,058 * 2/1960 Brooks .
- 3,320,732 * 5/1967 Kirk .
- 4,531,349 * 7/1985 Ehrhart et al. 56/295
- 5,622,035 * 4/1997 Kondo et al. 56/17.5
- 5,845,468 * 12/1998 Richardson et al. 56/503

OTHER PUBLICATIONS

U.S. application No. 29/089,677, filed Jun. 19, 1998, pending.

U.S. application No. 29/106,484, filed Jun. 14, 1999, pending.

U.S. application No. 29/106,379, filed Jun. 14, 1999, pending.

U.S. application No. 29/108,953, filed Aug. 9, 1999, pending.

U.S. application No. 29/108,950, filed Aug. 9, 1999, pending.

U.S. application No. 29/108,952, filed Aug. 9, 1999, pending.

U.S. application No. 29/108,951, filed Aug. 9, 1999, pending.

* cited by examiner

Primary Examiner—B. J. Bullock

(74) *Attorney, Agent, or Firm*—Oblon, Spivak, McClelland, Maier & Neustadt, P.C.

(57) **CLAIM**

The ornamental design for a mower element, as shown and described.

DESCRIPTION

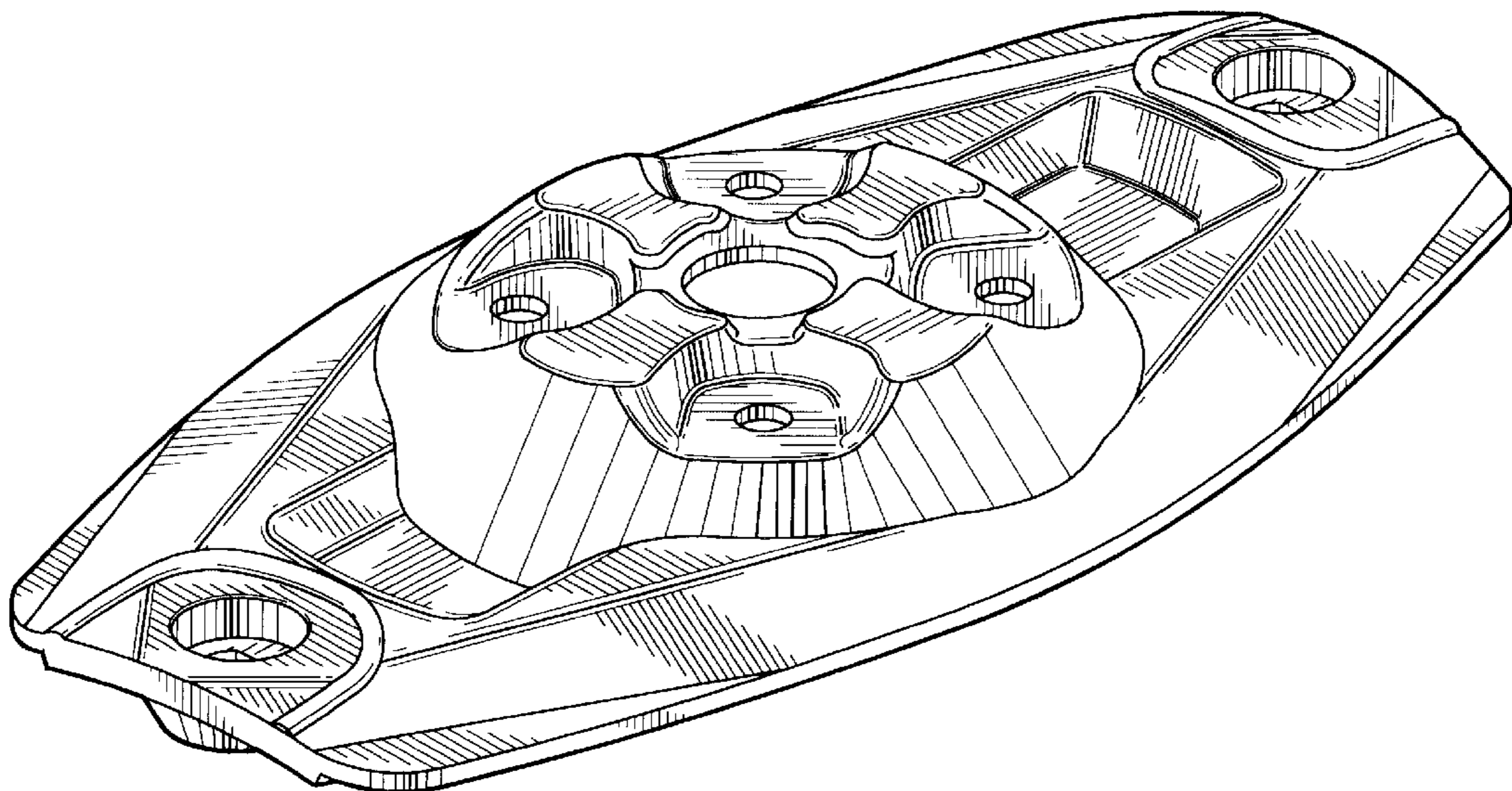
FIG. 1 is a top, front and left side perspective view of mower element, showing my new design;

FIG. 2 is a top plan view thereof;

FIG. 3 is a bottom plan view thereof; and,

FIG. 4 is a top and left side view thereof, the top and right side view being a mirror image of the top and left side view shown.

1 Claim, 4 Drawing Sheets



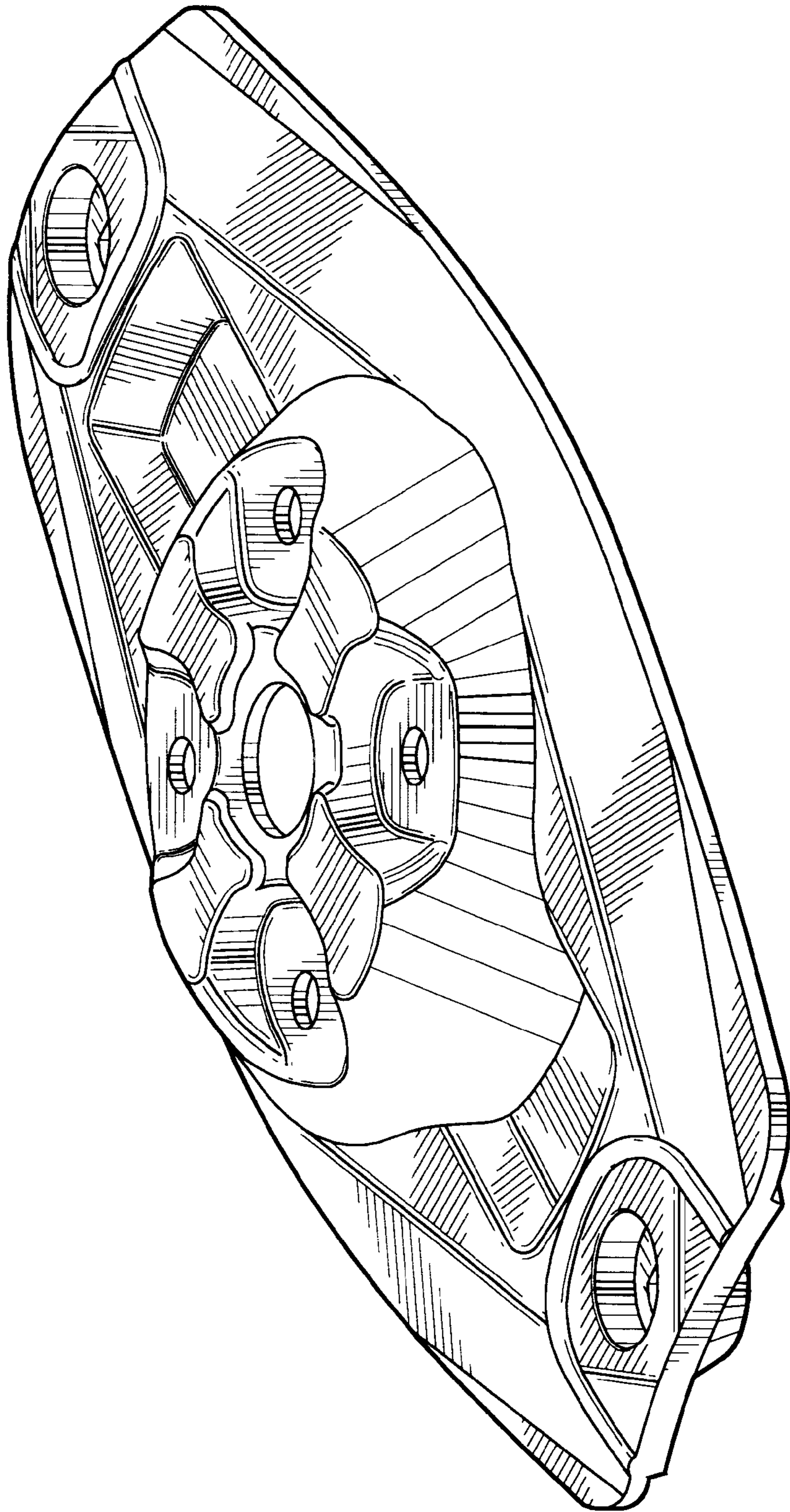


FIG. 1

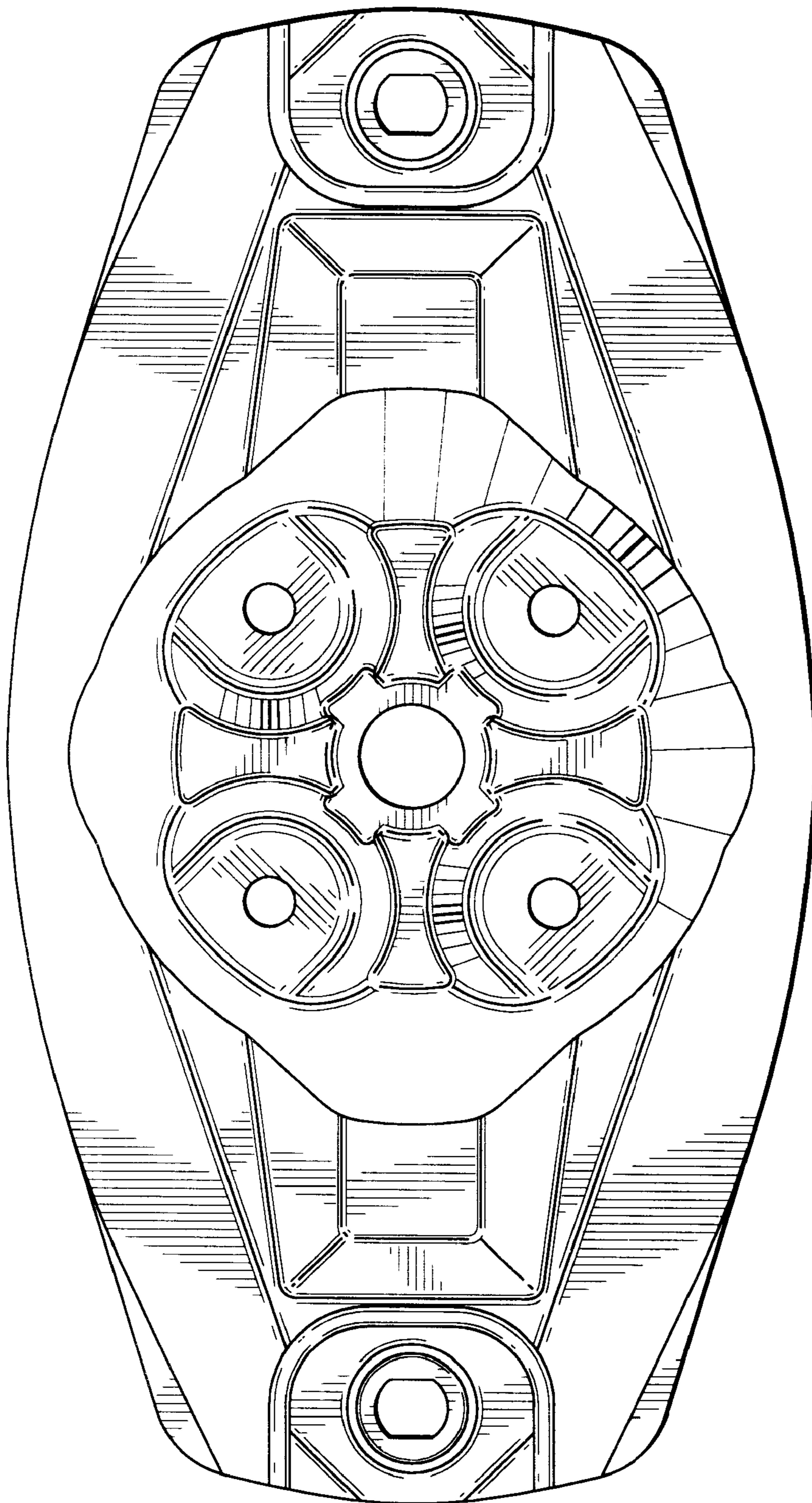


FIG. 2

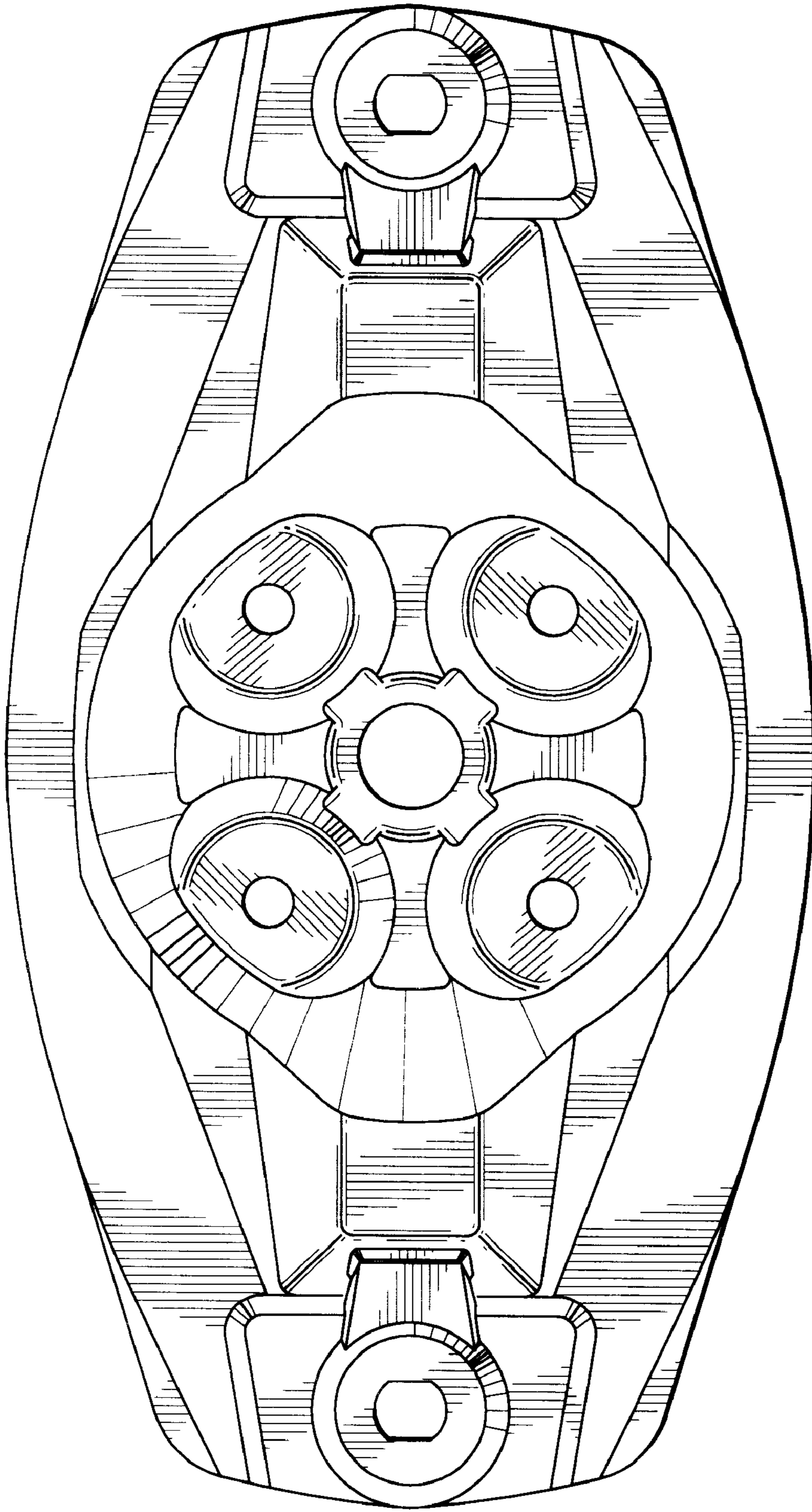


FIG. 3

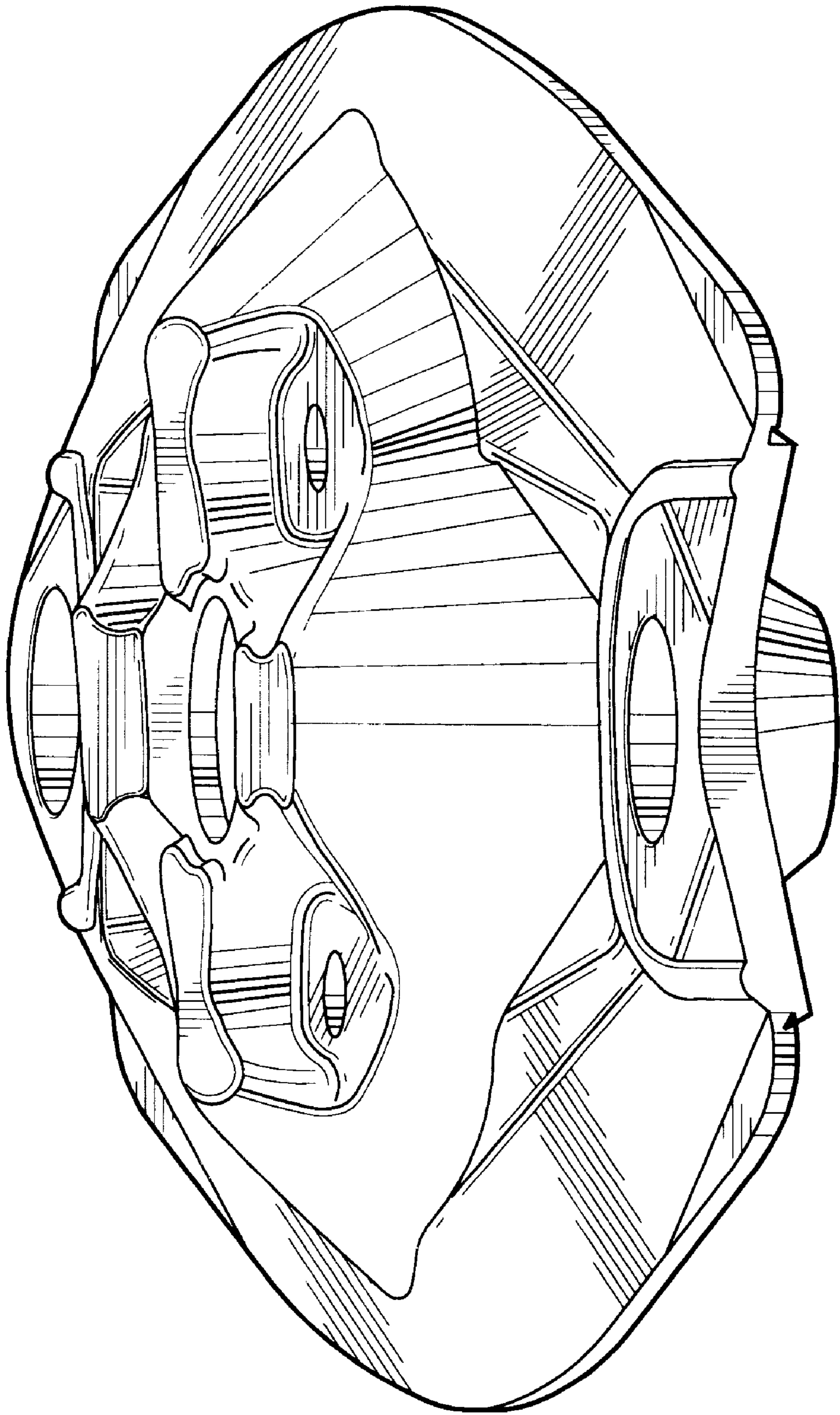


FIG. 4