



US00D449312B1

(12) **United States Design Patent**
Neuerburg

(10) **Patent No.:** **US D449,312 S**

(45) **Date of Patent:** **** Oct. 16, 2001**

(54) **MOWER ELEMENT**

(75) Inventor: **Horst Neuerburg**, Saverne (FR)

(73) Assignee: **Kuhn, S.A.**, Saverne (FR)

(**) Term: **14 Years**

(21) Appl. No.: **29/108,951**

(22) Filed: **Aug. 9, 1999**

(30) **Foreign Application Priority Data**

Feb. 15, 1999 (FR) 99 1126

(51) **LOC (7) Cl.** **14-18**

(52) **U.S. Cl.** **D15/17**

(58) **Field of Search** D15/17; 30/276,
30/347; 56/255, 289, 295, 17.5, 503, DIG. 17,
DIG. 20

(56) **References Cited**

U.S. PATENT DOCUMENTS

D. 264,042	4/1982	Hisashi et al. .	
D. 268,641	4/1983	Bonforte .	
D. 289,524	4/1987	Andersson et al. .	
D. 357,691	4/1995	Bryant .	
2,669,084	* 2/1954	Warren .	
2,924,058	* 2/1960	Brooks .	
3,320,732	* 5/1967	Kirk .	
4,531,349	* 7/1985	Ehrhart et al.	56/295
5,622,035	* 4/1997	Kondo et al.	56/17.5
5,845,468	* 12/1998	Richardson et al.	56/503

OTHER PUBLICATIONS

U.S. application No. 29/089,677, filed Jun. 19, 1998, pending.

U.S. application No. 29/106,484, filed Jun. 14, 1999, pending.

U.S. application No. 29/106,379, filed Jun. 14, 1999, pending.

U.S. application No. 29/108,953, filed Aug. 9, 1999, pending.

U.S. application No. 29/108,950, filed Aug. 9, 1999, pending.

U.S. application No. 29/108,952, filed Aug. 9, 1999, pending.

* cited by examiner

Primary Examiner—B. J. Bullock

(74) *Attorney, Agent, or Firm*—Oblon, Spivak, McClelland, Maier, Neustadt, P.C.

(57) **CLAIM**

The ornamental design for a mower element, as shown and described.

DESCRIPTION

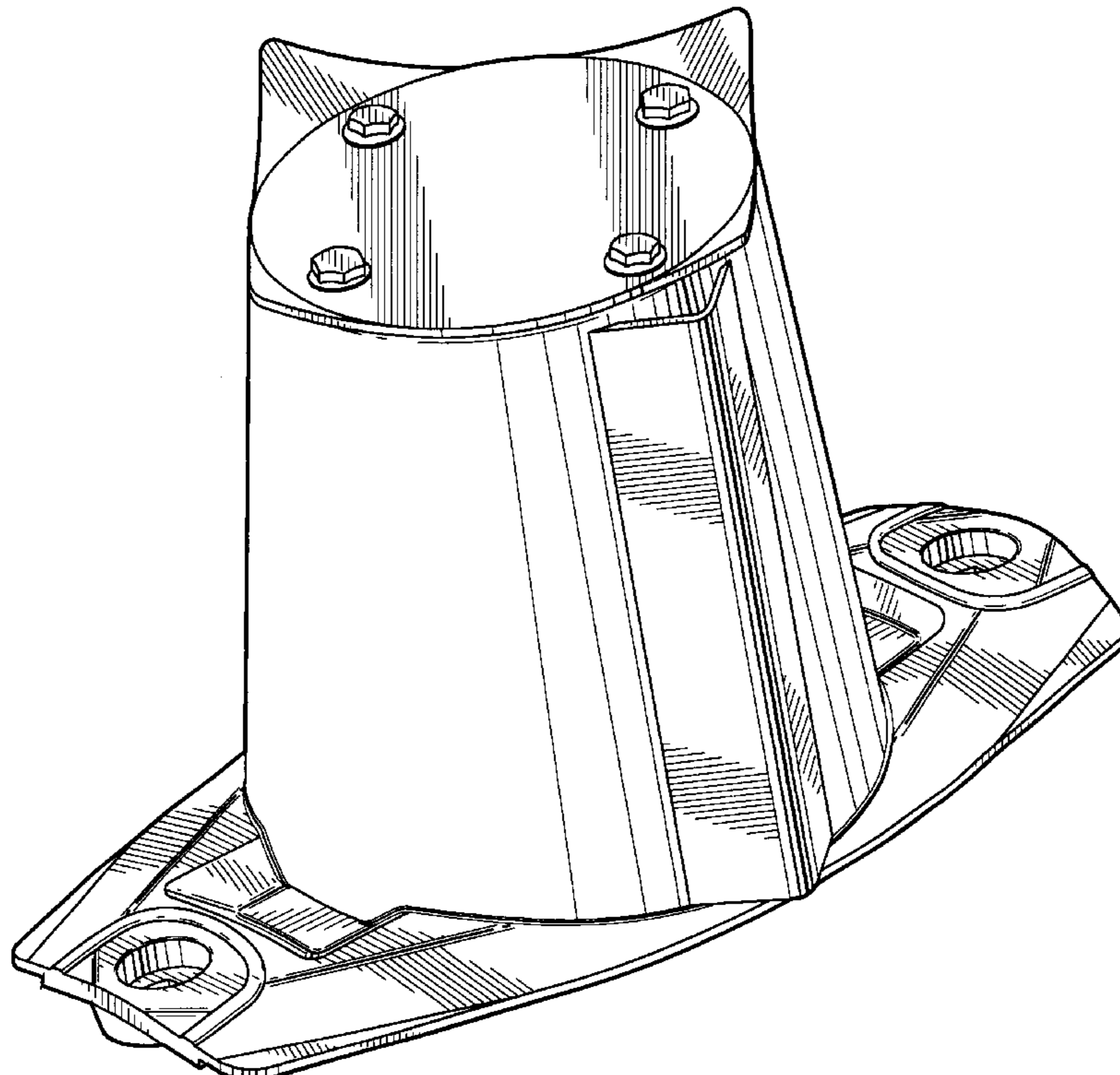
FIG. 1 is a top, front and left side perspective view of mower element, showing my new design;

FIG. 2 is a top plan view thereof;

FIG. 3 is a bottom plan view thereof; and,

FIG. 4 is a top and left side view thereof, the top and right side view being a mirror image of the top and left side view shown.

1 Claim, 4 Drawing Sheets



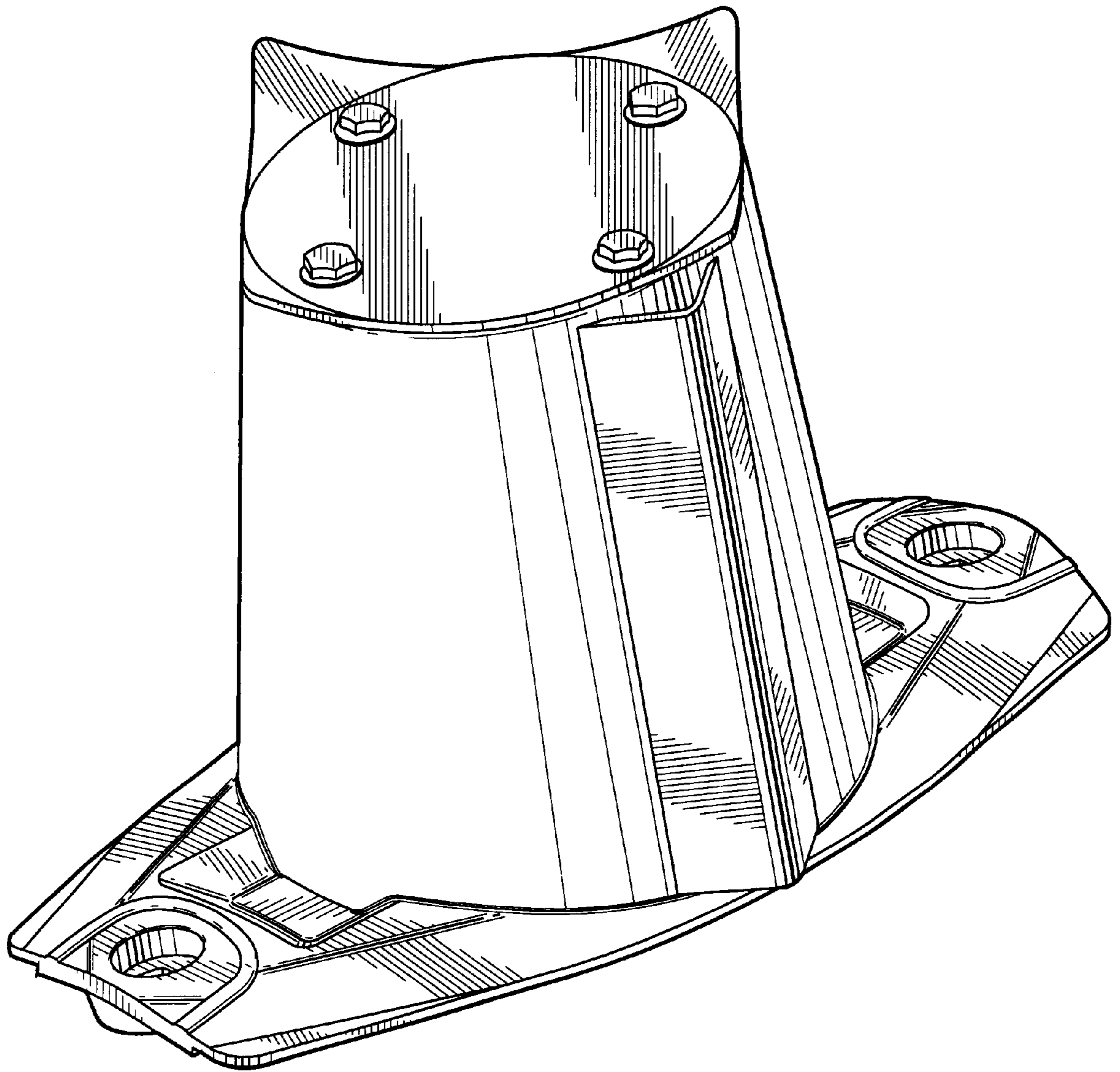


FIG. 1

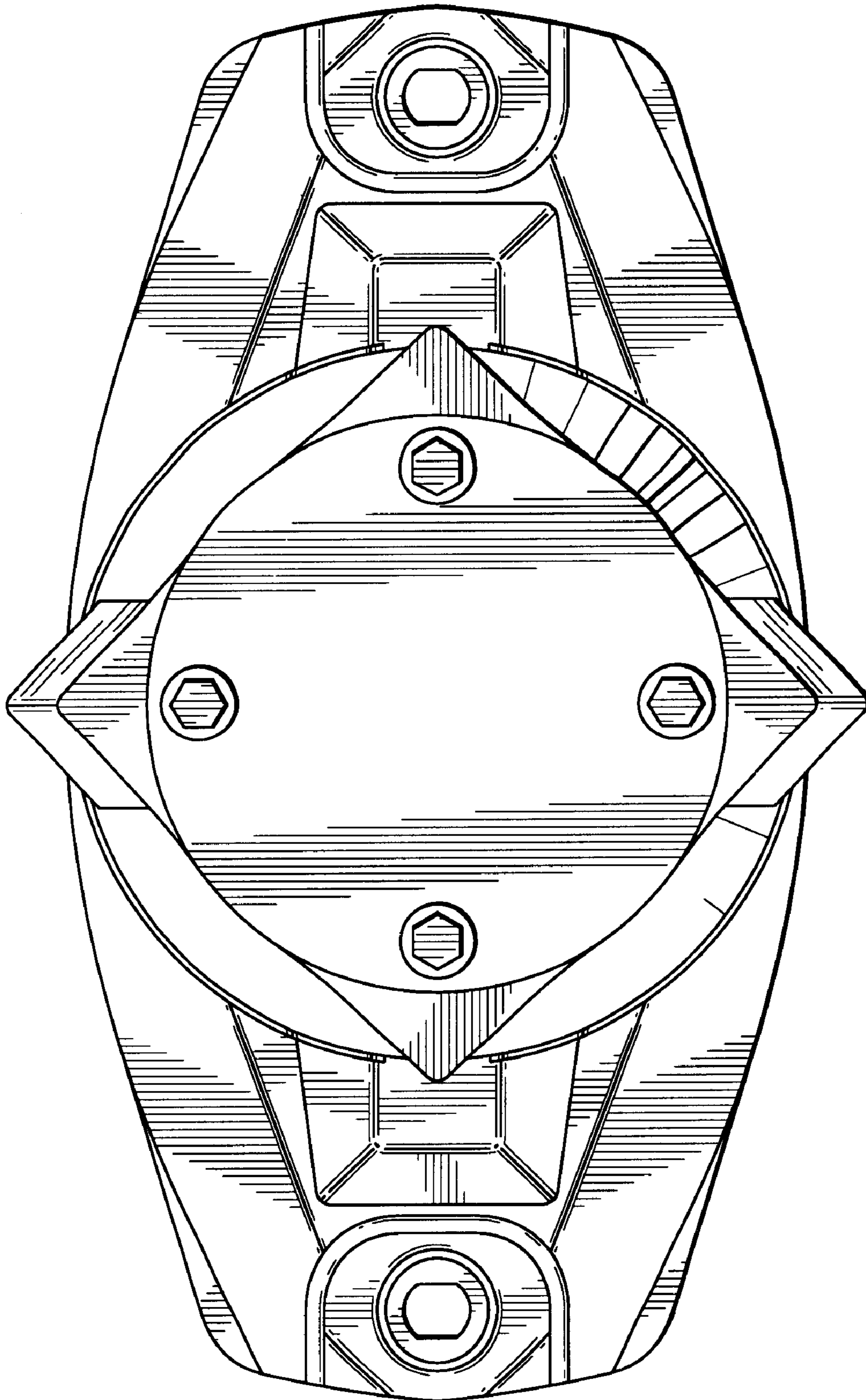


FIG. 2

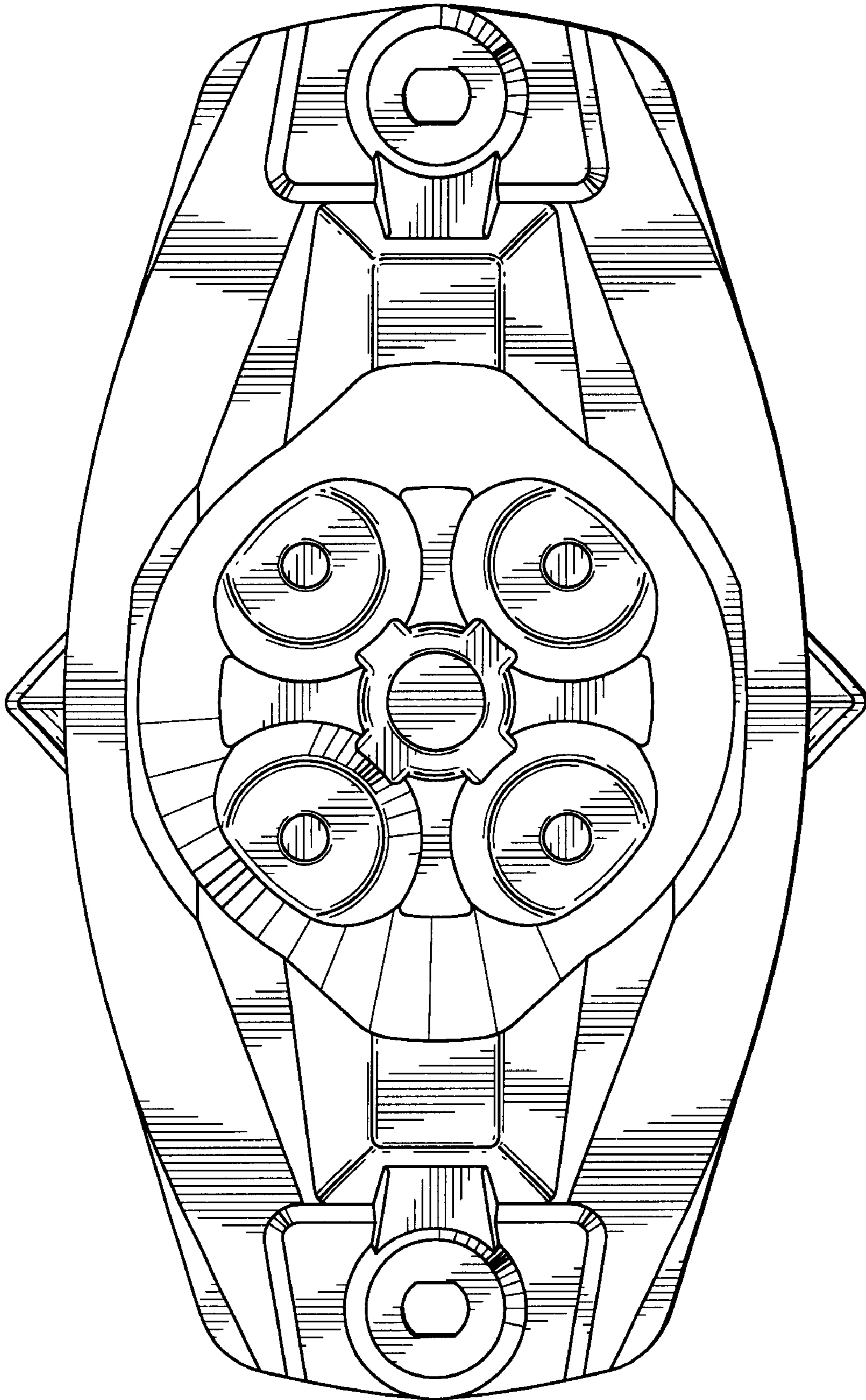


FIG. 3

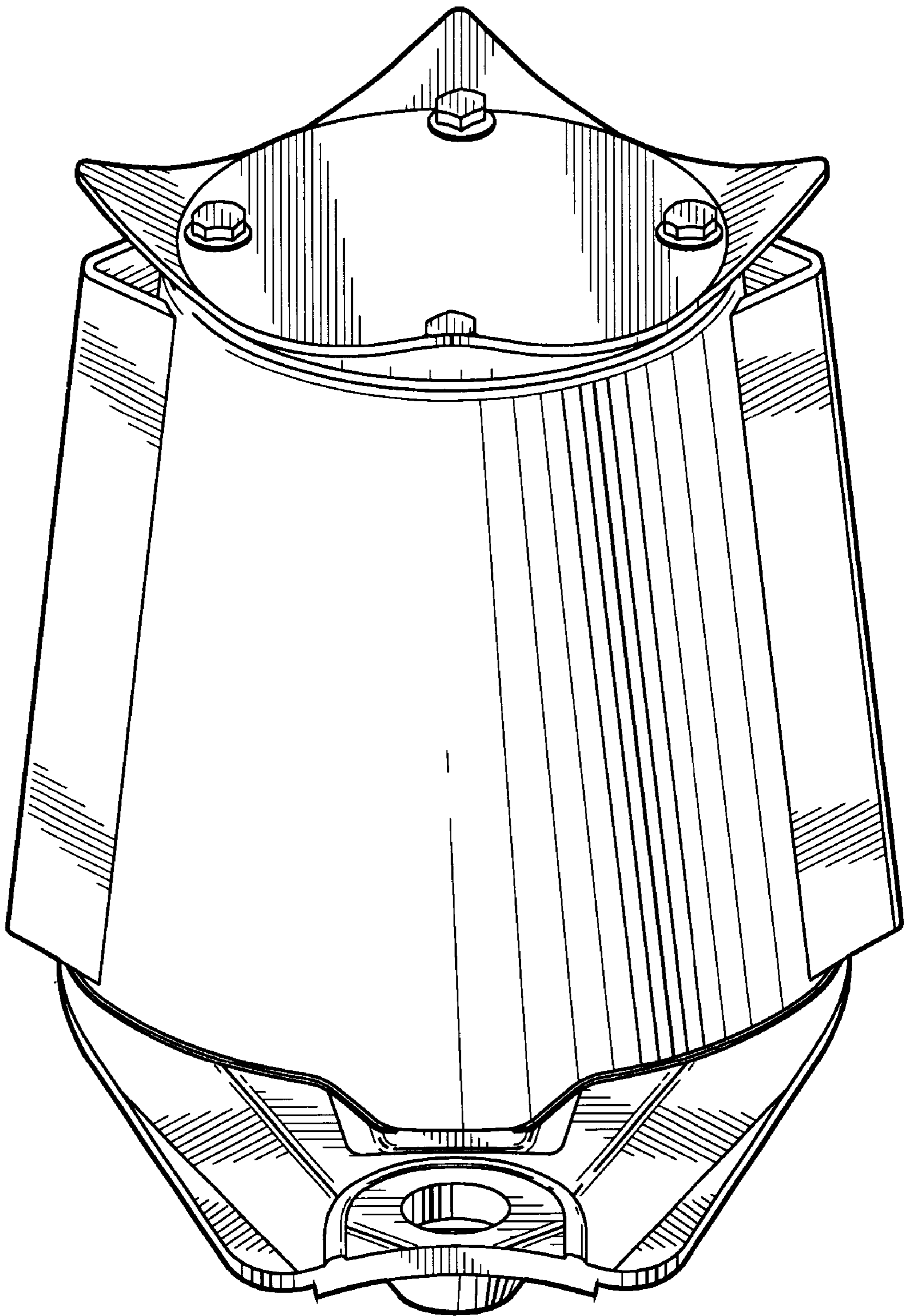


FIG. 4