



US00D449310B1

(12) **United States Design Patent**
Agresta et al.

(10) **Patent No.:** **US D449,310 S**

(45) **Date of Patent:** **** *Oct. 16, 2001**

(54) **POND PUMP**

(75) Inventors: **Mark Gerard Agresta**, Blacksburg;
Ronnie Albert Poff, Dublin, both of VA
(US); **David William Pool**, Bishops
Waltham (GB); **James Hess**, Hickory,
NC (US); **John Randall Hegstad**,
Hershey, PA (US); **Kay Jungblut**,
Georgsmarienhutte (DE)

(73) Assignee: **Warner-Lambert Company**, Morris
Plains, NJ (US)

(*) Notice: This patent is subject to a terminal dis-
claimer.

(**) Term: **14 Years**

(21) Appl. No.: **29/108,216**

(22) Filed: **Jul. 22, 1999**

(51) **LOC (7) Cl.** **15-02**

(52) **U.S. Cl.** **D15/7; D15/8**

(58) **Field of Search** D15/7-9; 119/76;
415/906, 909; 417/360, 375, 376, 362,
423.3

(56) **References Cited**

U.S. PATENT DOCUMENTS

D. 357,687 * 4/1995 Jensen D15/7

D. 376,370 * 12/1996 Davis et al. D15/7
D. 395,317 * 6/1998 Karlsson D15/7
D. 403,329 * 12/1998 Walker et al. D15/7
D. 404,400 * 1/1999 Wang D15/7
D. 441,376 * 5/2001 Gohil D15/7

* cited by examiner

Primary Examiner—Ralf Seifert

(74) *Attorney, Agent, or Firm*—Darryl C. Little; Evan J.
Federman

(57) **CLAIM**

The ornamental design for a pond pump, as shown and
described.

DESCRIPTION

FIG. 1 is a top perspective view of the pond pump.

FIG. 2 is a bottom perspective view of the pond pump.

FIG. 3 is a top view of the pond pump.

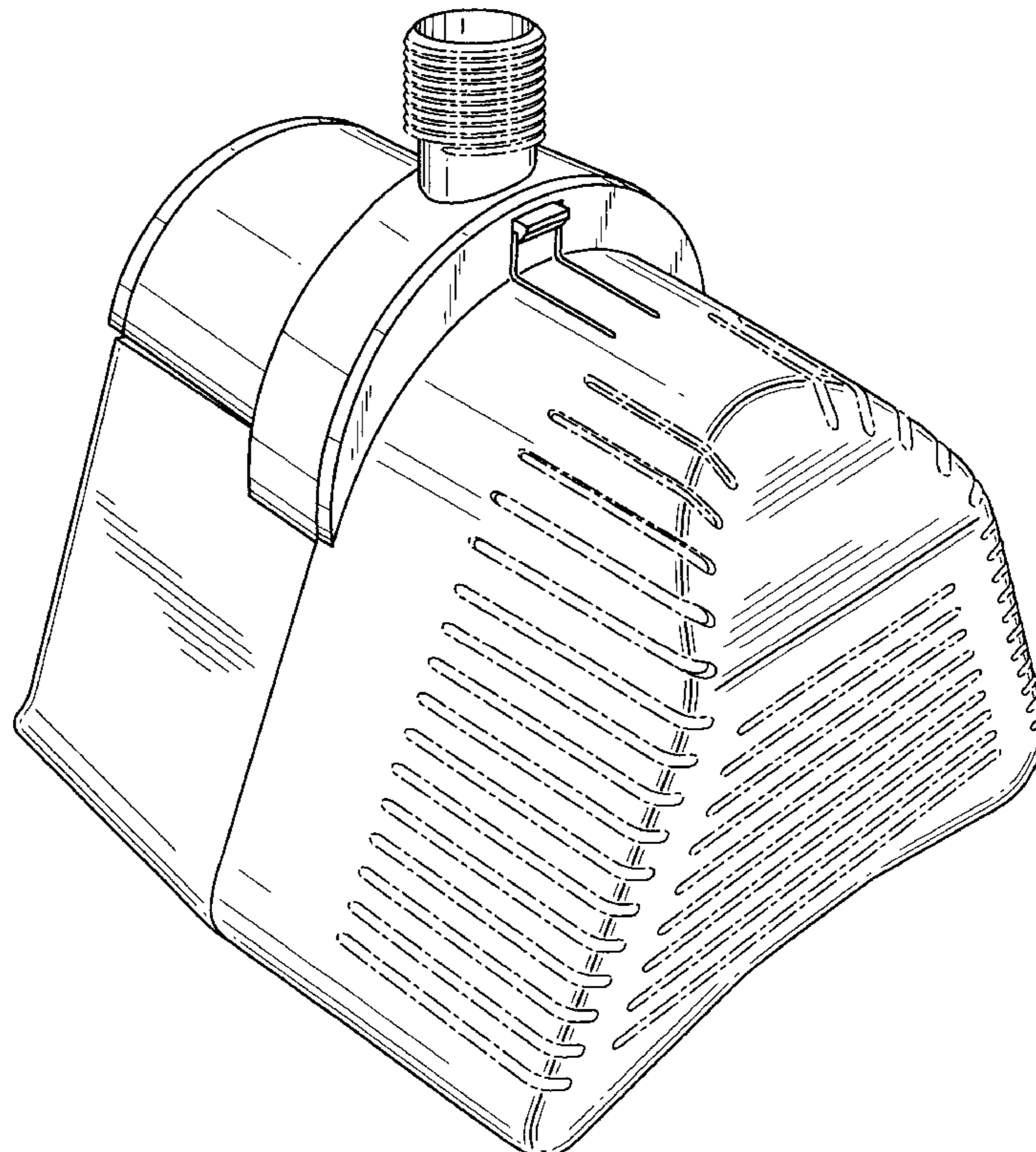
FIG. 4 is a side view of the pond pump.

FIG. 5 is a front view of the pond pump.

FIG. 6 is a back view of the pond pump; and,

FIG. 7 is a bottom view of the pond pump.

1 Claim, 7 Drawing Sheets



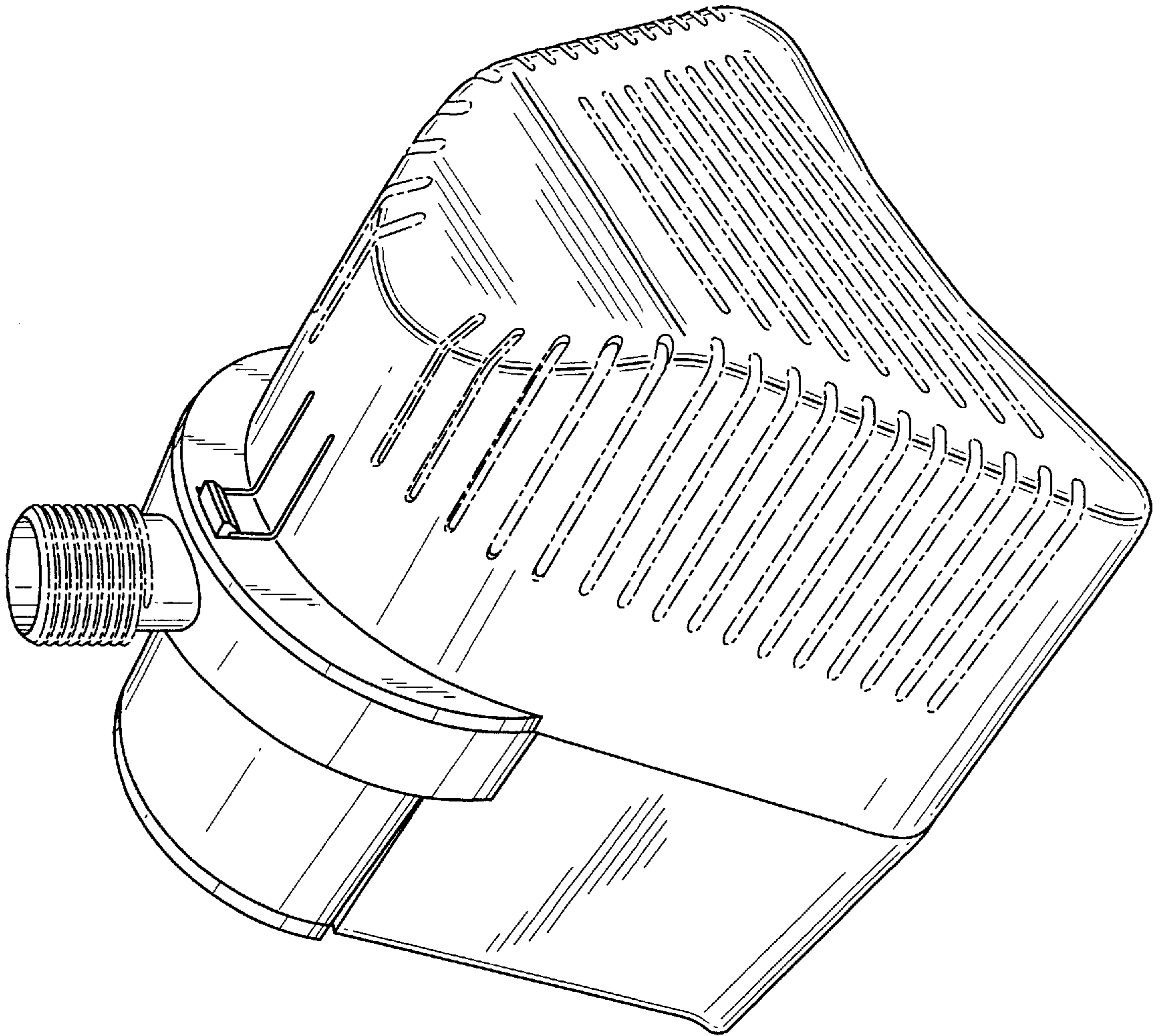


FIG - 1

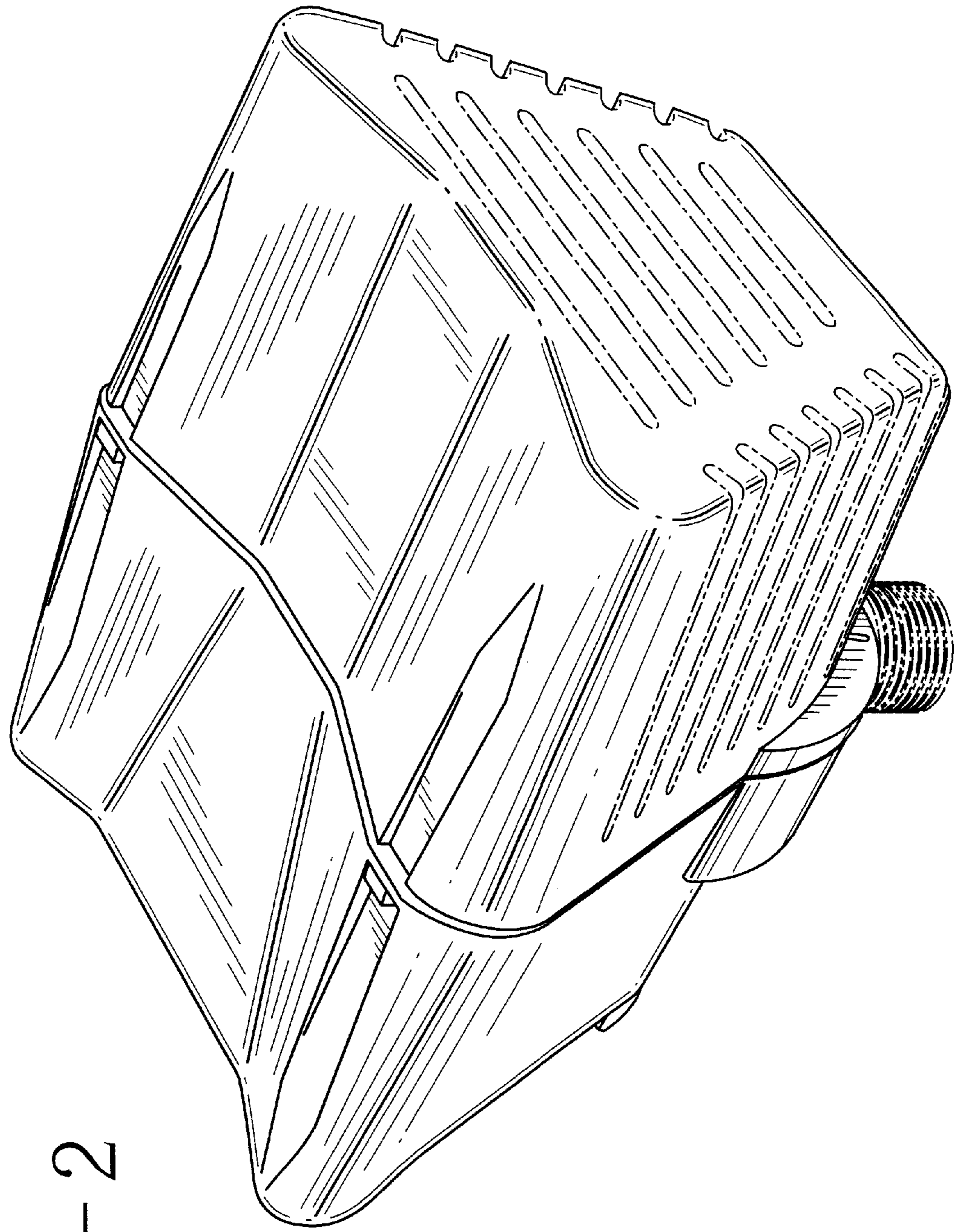


FIG - 2

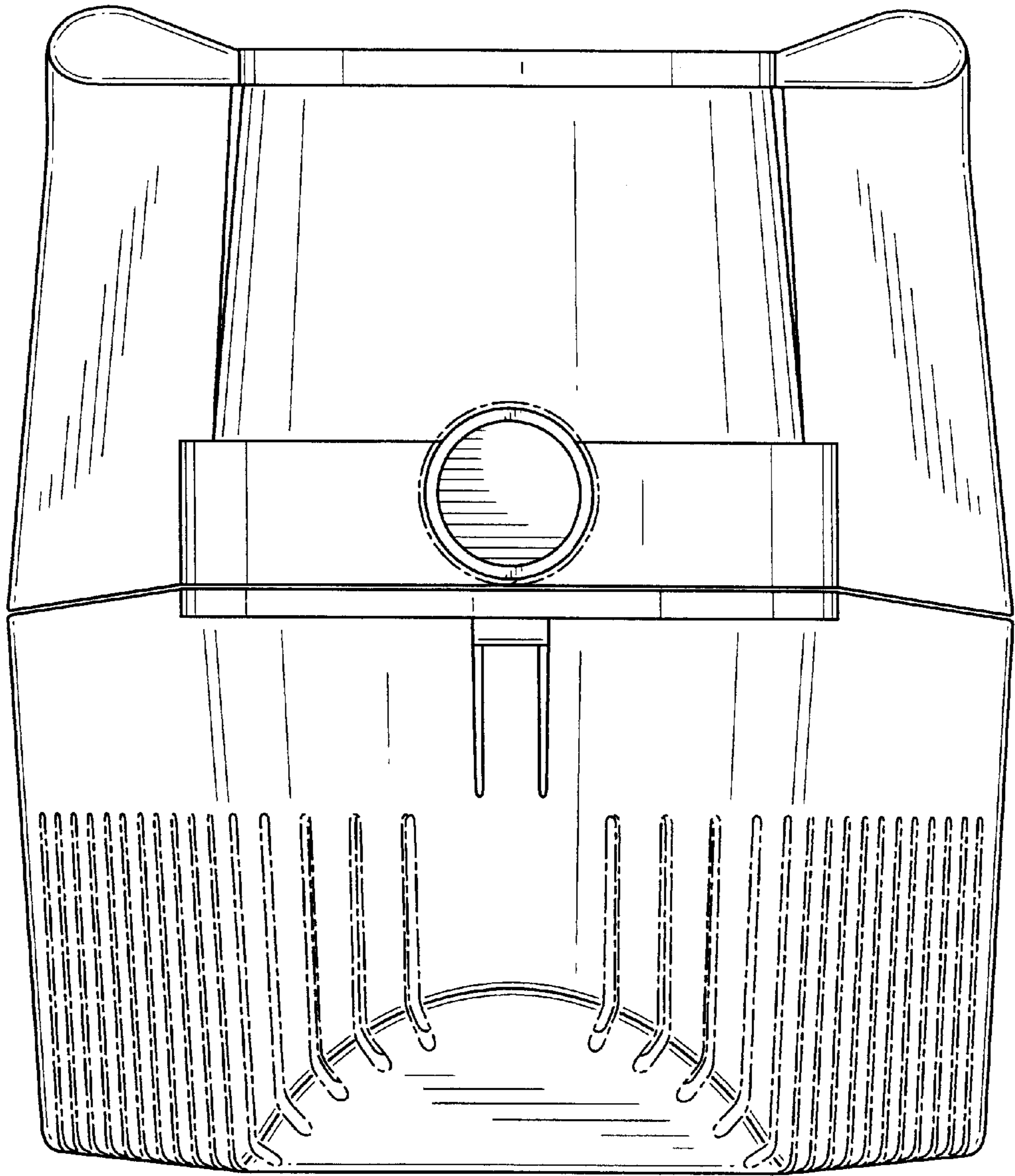


FIG - 3

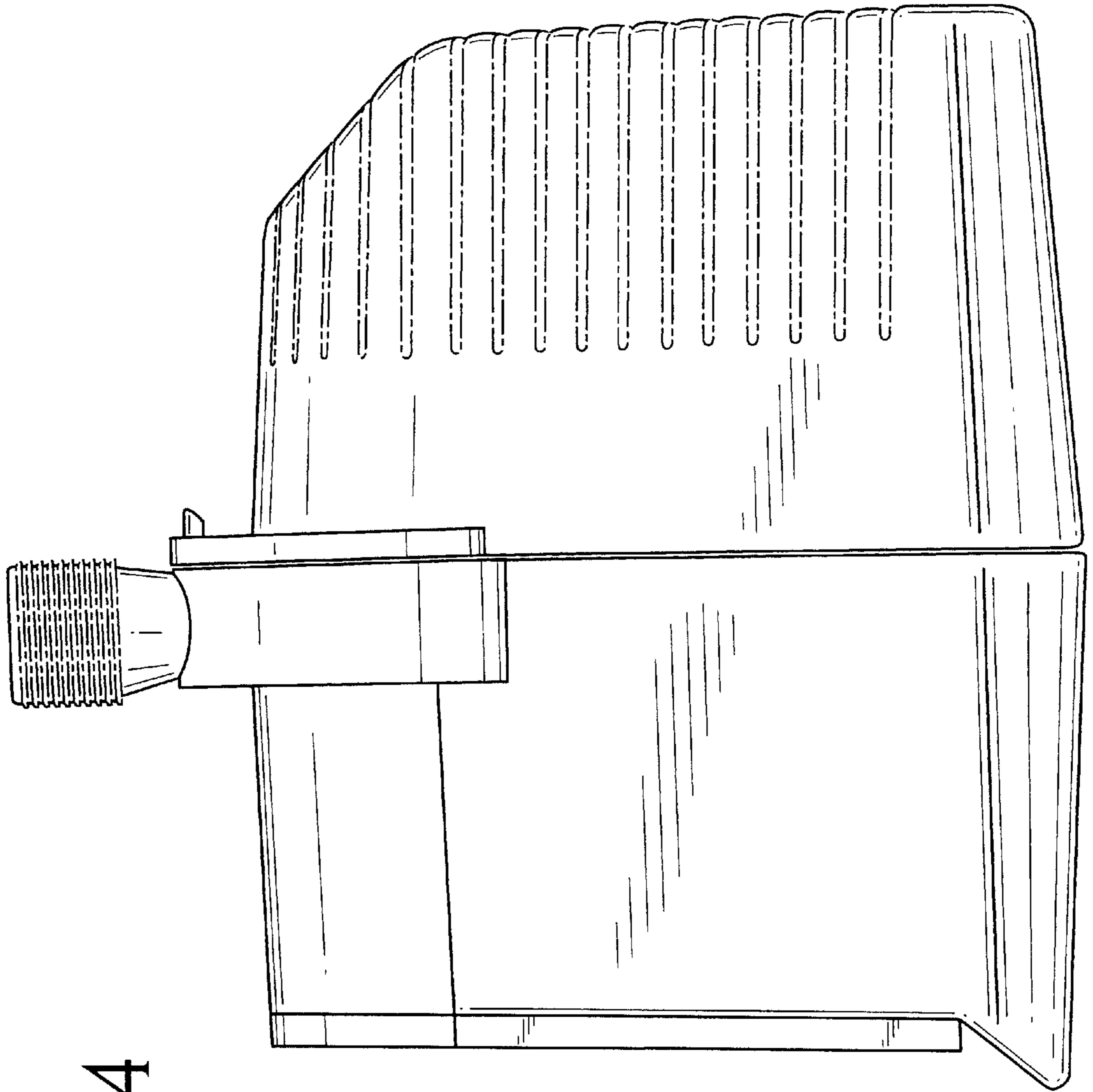


FIG - 4

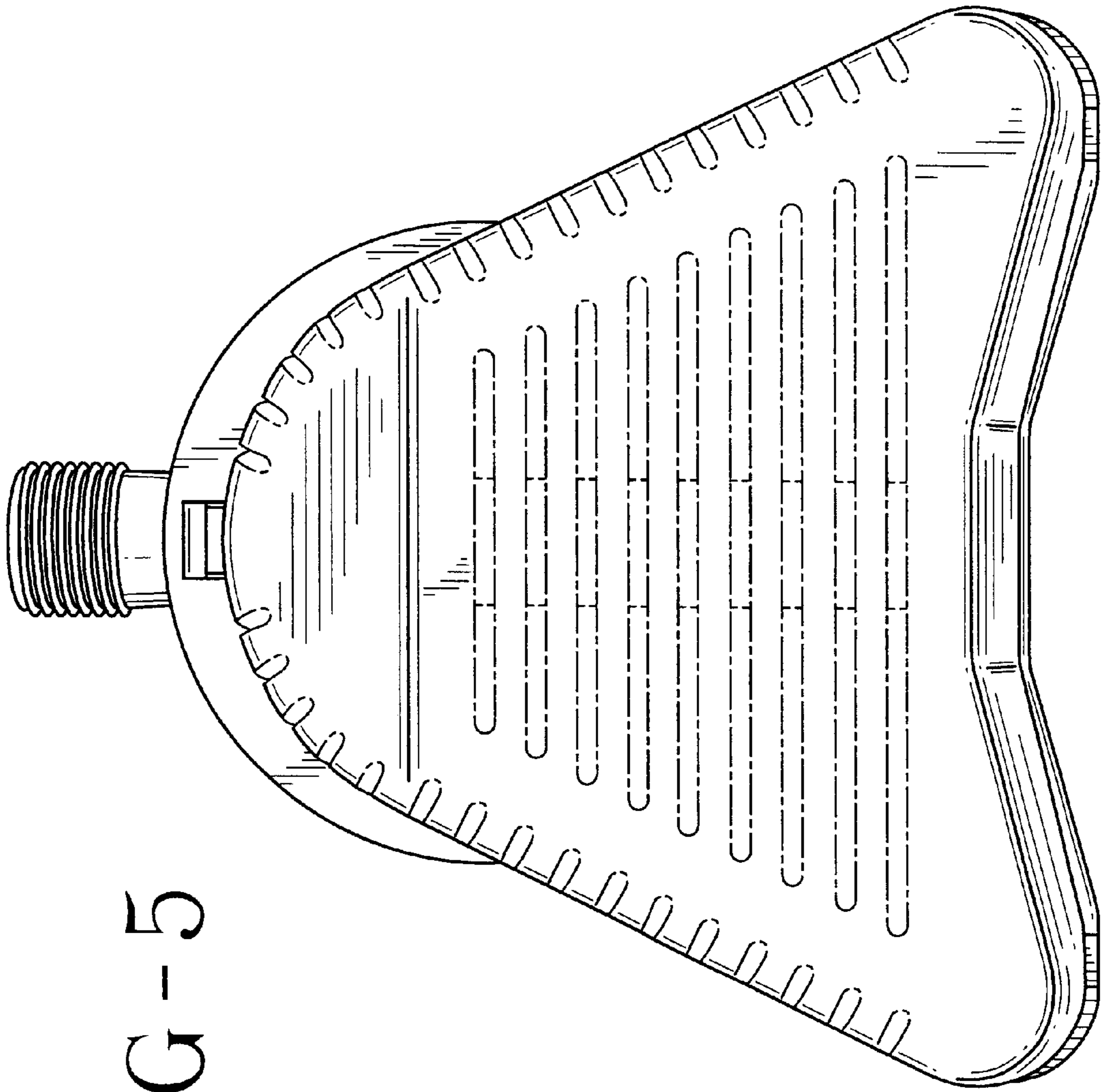


FIG - 5

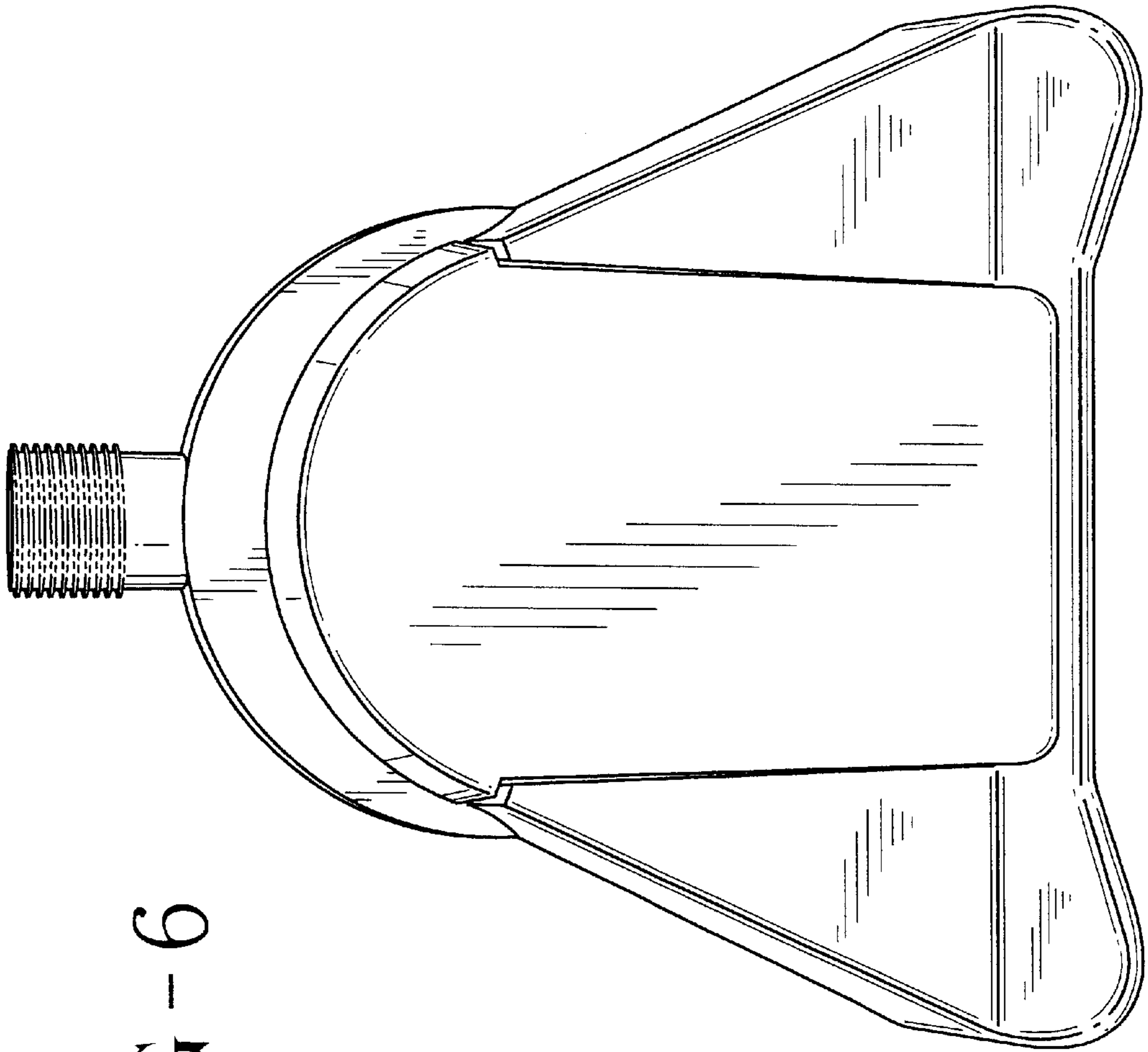


FIG - 6

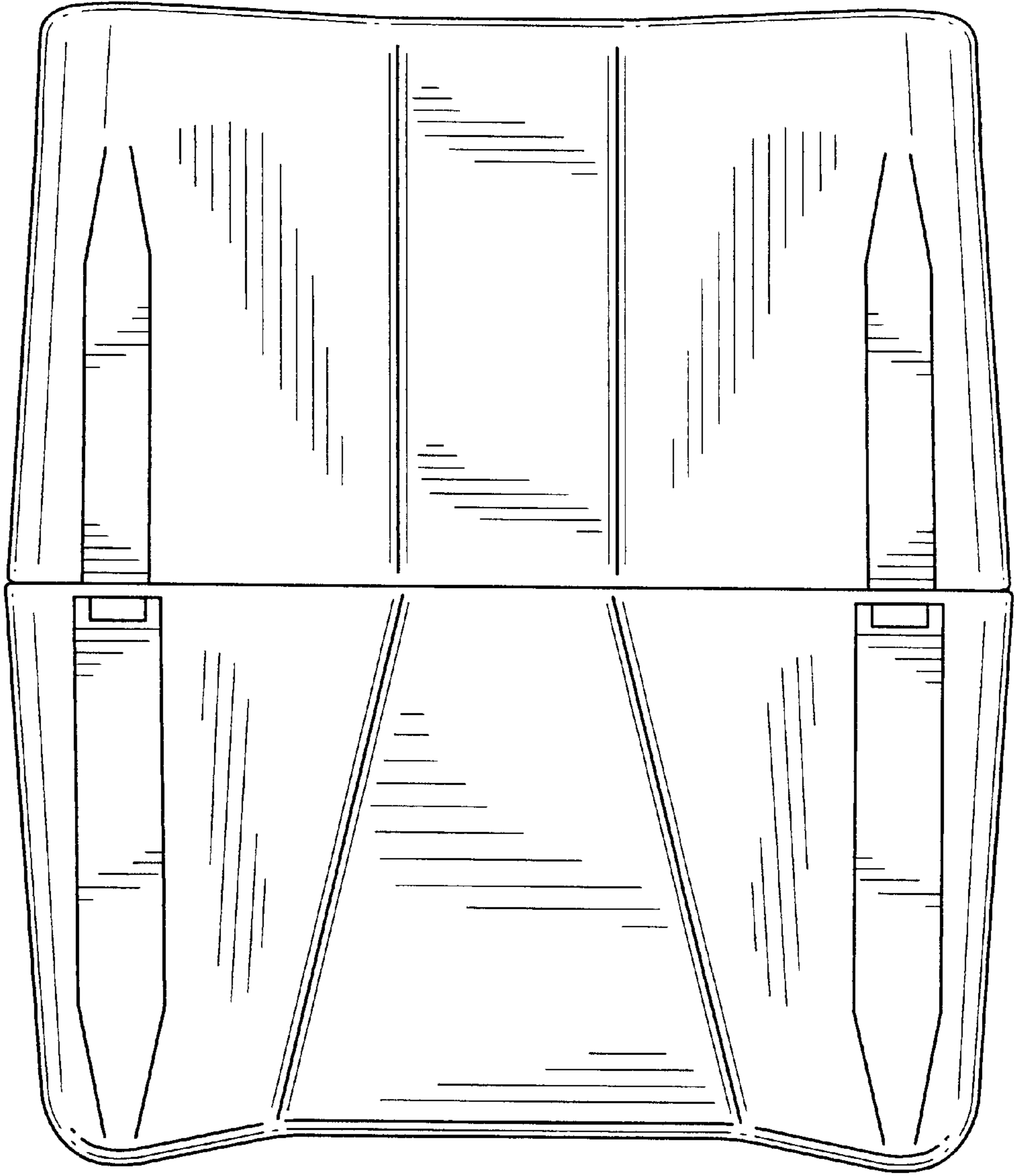


FIG - 7