



US00D449309B1

(12) **United States Design Patent**
Dhillon

(10) **Patent No.:** **US D449,309 S**

(45) **Date of Patent:** **** Oct. 16, 2001**

(54) **COMPACT OR MINI DISK**

(75) Inventor: **Jasjit S. Dhillon**, Oak Brook, IL (US)

(73) Assignee: **Unlimited C.D., Inc.**, Stone Park, IL (US)

(**) Term: **14 Years**

(21) Appl. No.: **29/118,260**

(22) Filed: **Feb. 7, 2000**

(51) **LOC (7) Cl.** **14-02**

(52) **U.S. Cl.** **D14/478**

(58) **Field of Search** D14/474, 478-80;
D19/9, 10; 360/133, 135, 97.01-99.12;
395/186; 369/272-3, 282-8, 280, 286, 291

(56) **References Cited**

U.S. PATENT DOCUMENTS

- D. 394,648 * 5/1998 Rohde .
- D. 418,502 * 1/2000 Friday .
- D. 419,151 * 1/2000 Koedel .
- D. 419,152 * 1/2000 Lowenstein .
- D. 421,427 * 3/2000 Siegel .
- D. 426,203 * 6/2000 Siegel .
- 4,091,454 * 5/1978 Kauffmann .
- 4,812,633 * 3/1989 Vogelgesang et al. .
- 5,579,296 * 11/1996 Smith et al. .

- 5,852,598 * 12/1998 Wiest .
- 5,882,555 * 3/1999 Rohde et al. .
- 5,982,736 * 11/1999 Pierson .

OTHER PUBLICATIONS

“Play Your Cards Right,” Hilton Guest magazine, pp. 83-85, 1999 Issue Three, published Aug. 1999, distributed internationally.

* cited by examiner

Primary Examiner—M. H. Tung

(74) *Attorney, Agent, or Firm*—Law Office of Marc D. Machtinger, Ltd.

(57) **CLAIM**

The ornamental design for a compact or mini disk, as shown and described.

DESCRIPTION

FIG. 1 is a top plan view of the compact or mini disk showing my new design;
FIG. 2 is a bottom plan view thereof;
FIG. 3 is a front view thereof, the rear view being identical; and,
FIG. 4 is a right side view thereof, the left side being identical.

1 Claim, 1 Drawing Sheet

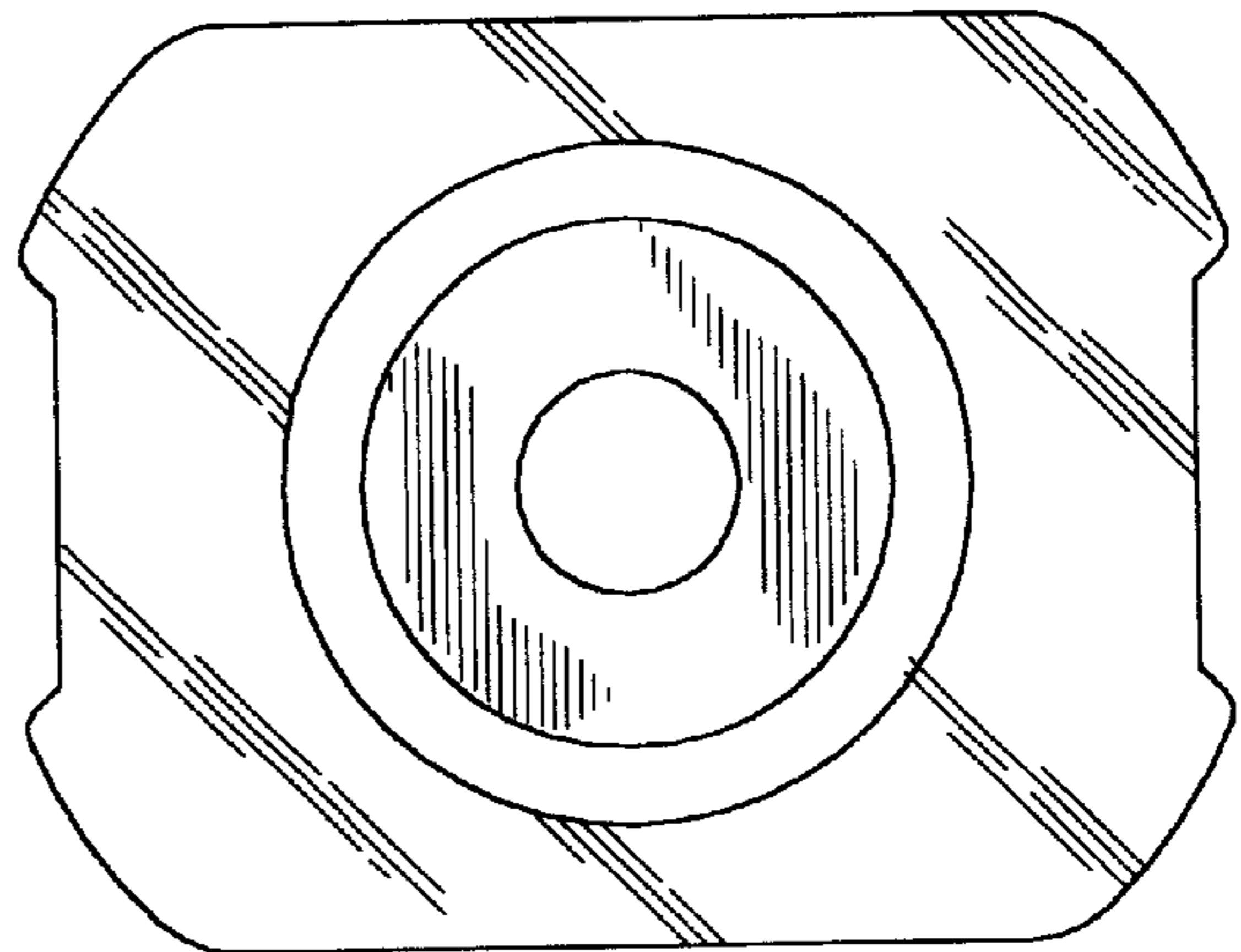
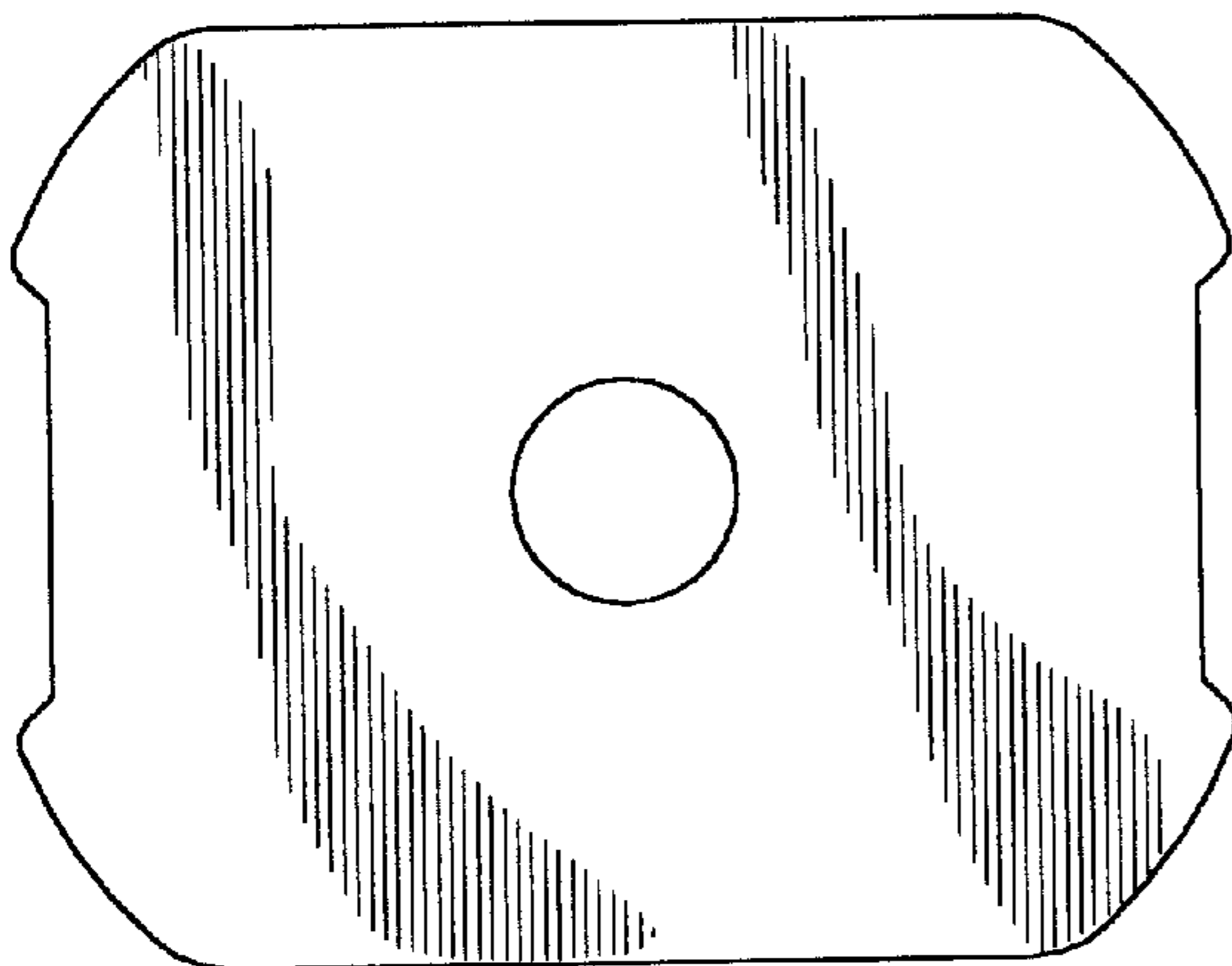


FIG. 1

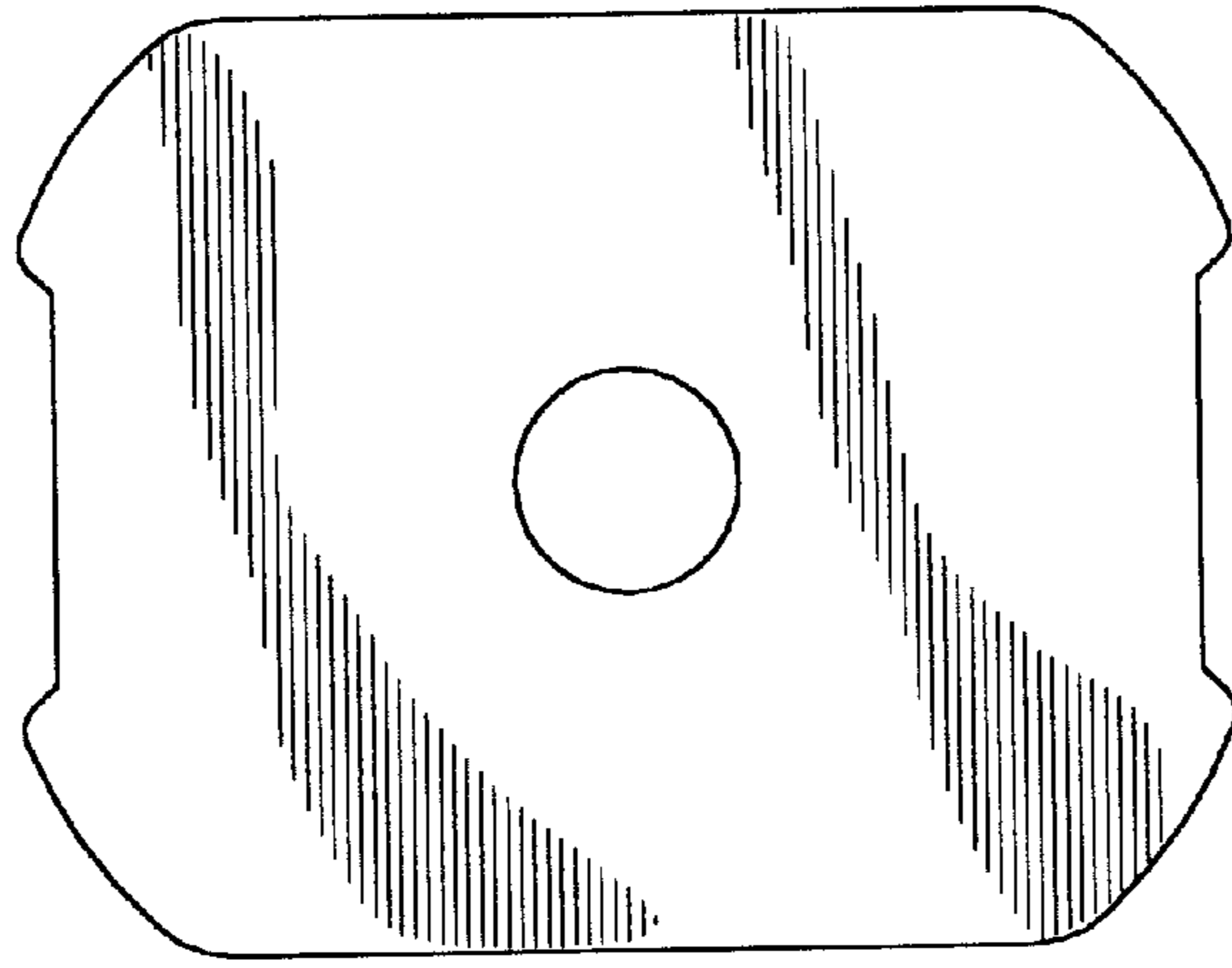


FIG. 2

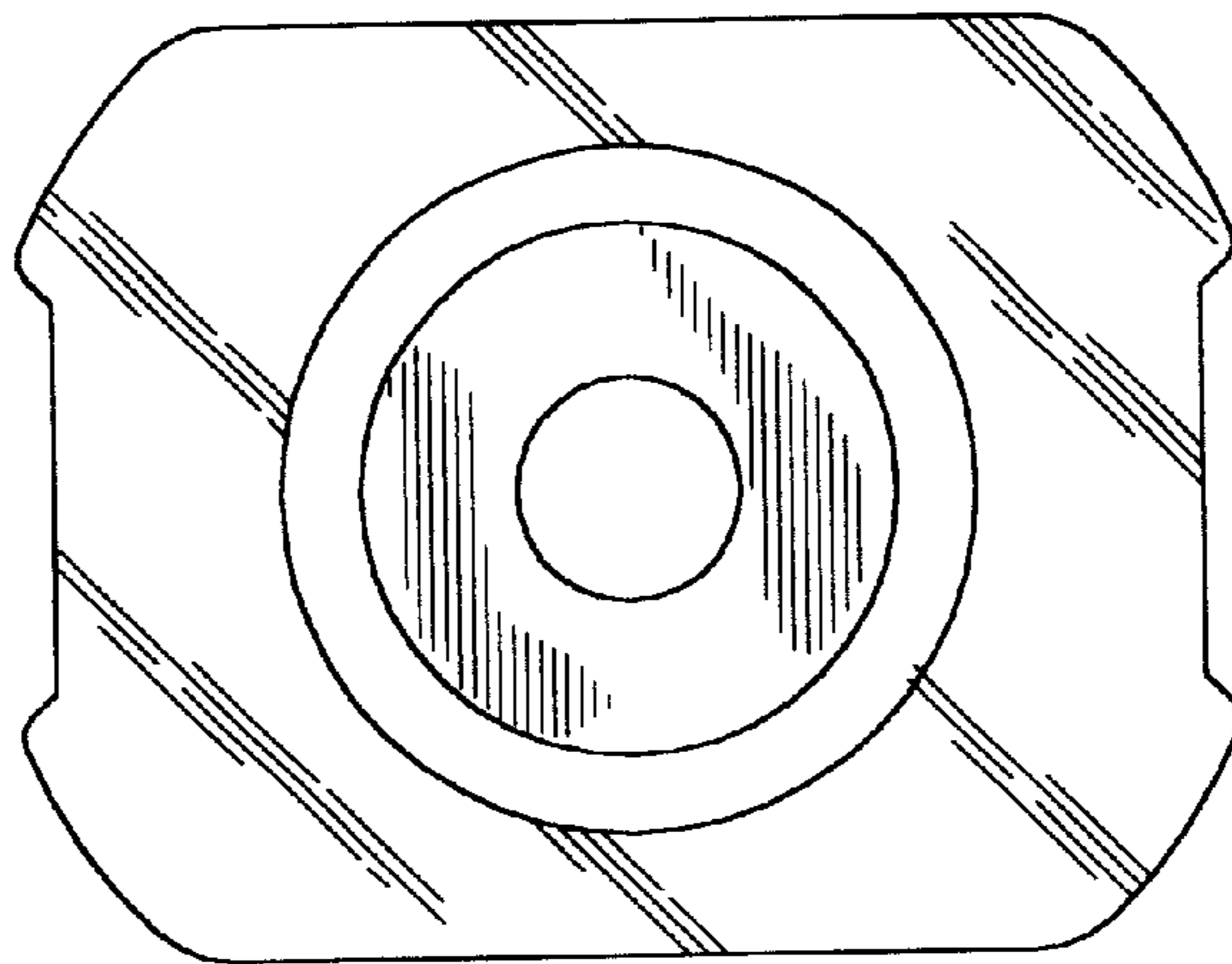


FIG. 3

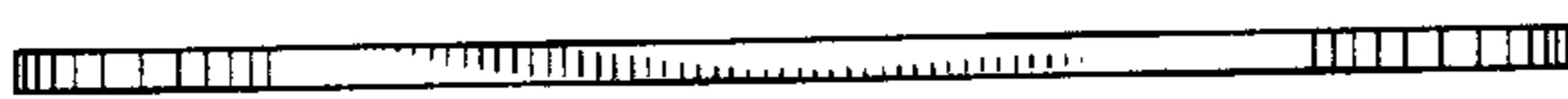


FIG. 4

