



US00D449306B1

(12) **United States Design Patent**
Jean et al.

(10) **Patent No.:** **US D449,306 S**

(45) **Date of Patent:** **** Oct. 16, 2001**

(54) **COMPUTER FRONT BEZEL**

D. 396,462 * 7/1998 Fu D14/446
5,169,218 * 12/1992 Chu 312/223.2

(75) Inventors: **Paul Jean**, Taipei; **Ko Chien Kan**,
Tau-Yuan; **Ying Sheng Yeh**, Taipei, all
of (TW)

* cited by examiner

Primary Examiner—Freda Nunn

(73) Assignee: **Hon Hai Precision Ind. Co., Ltd.**,
Taipei Hsien (TW)

(74) *Attorney, Agent, or Firm*—Wei Te Chung

(**) Term: **14 Years**

(57) **CLAIM**

The ornamental design for a computer front bezel, as shown
and described.

(21) Appl. No.: **29/122,350**

DESCRIPTION

(22) Filed: **Apr. 25, 2000**

FIG. 1 is a perspective view of a computer front bezel
showing our new design;

(30) **Foreign Application Priority Data**

Mar. 9, 2000 (TW) 089301575

FIG. 2 is a front elevational view thereof;

(51) **LOC (7) Cl.** **14-02**

FIG. 3 is a rear elevational view thereof;

(52) **U.S. Cl.** **D14/446; D14/441**

FIG. 4 is a left side elevational view thereof;

(58) **Field of Search** D14/441-446,
D14/257, 258; D13/162, 184, 199, 164,
177; 312/223.2; 361/680-686, 690-696

FIG. 5 is a right side elevational view thereof;

FIG. 6 is a top plan view thereof;

FIG. 7 is a bottom plan view thereof;

(56) **References Cited**

U.S. PATENT DOCUMENTS

D. 371,351 * 7/1996 Lai D14/444

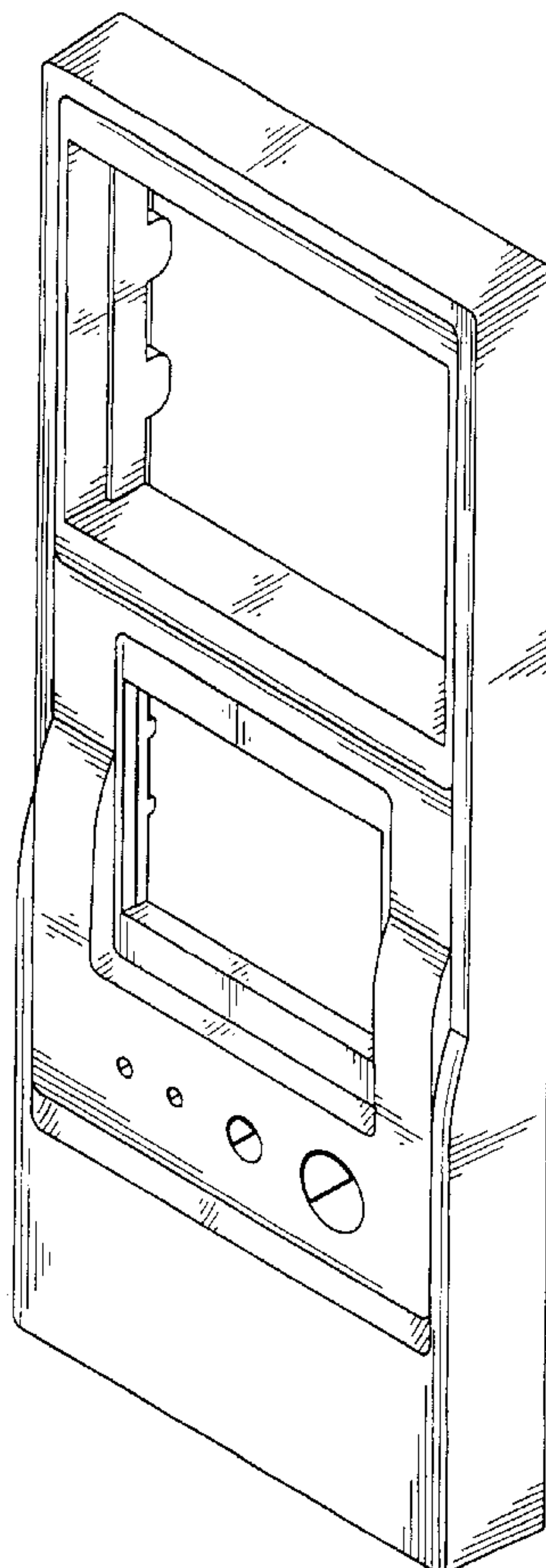
D. 390,216 * 2/1998 Lai D14/444

FIG. 8 is a perspective view thereof showing the computer
front bezel mounted to a computer; and,

FIG. 9 is a perspective view thereof showing the computer
front bezel mounted to another computer.

The broken lines are shown in the views for illustrative
purposes only and form no part of the claimed design.

1 Claim, 7 Drawing Sheets



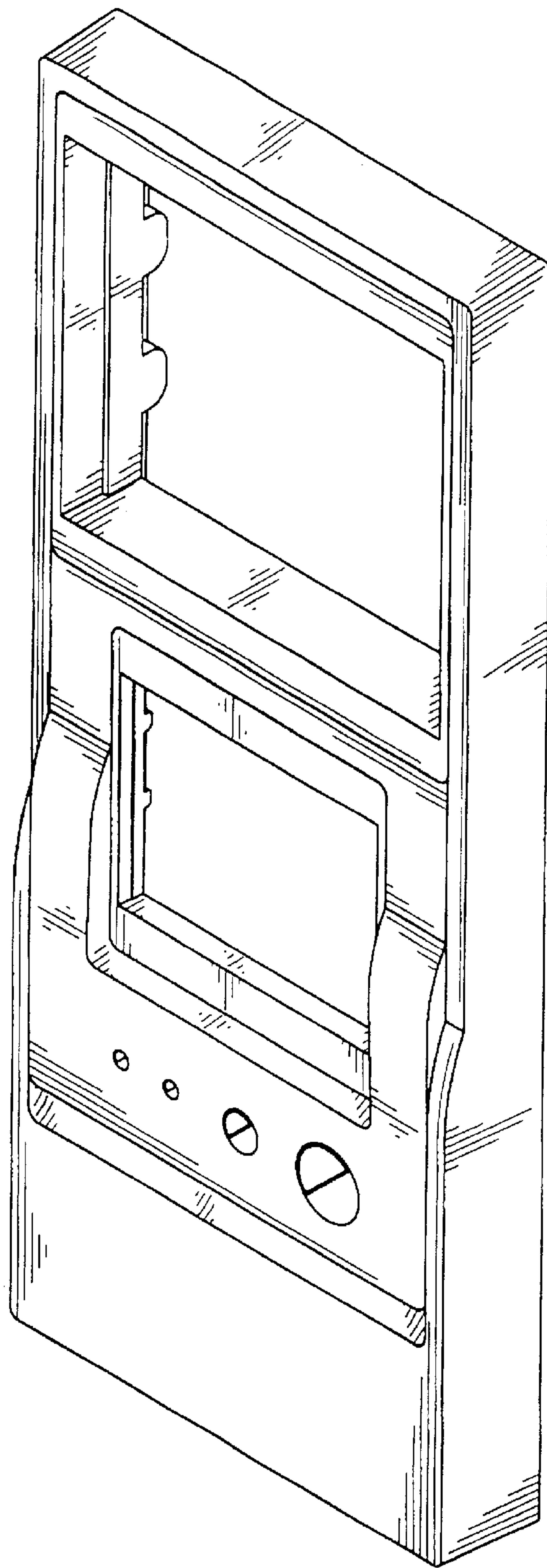


FIG. 1

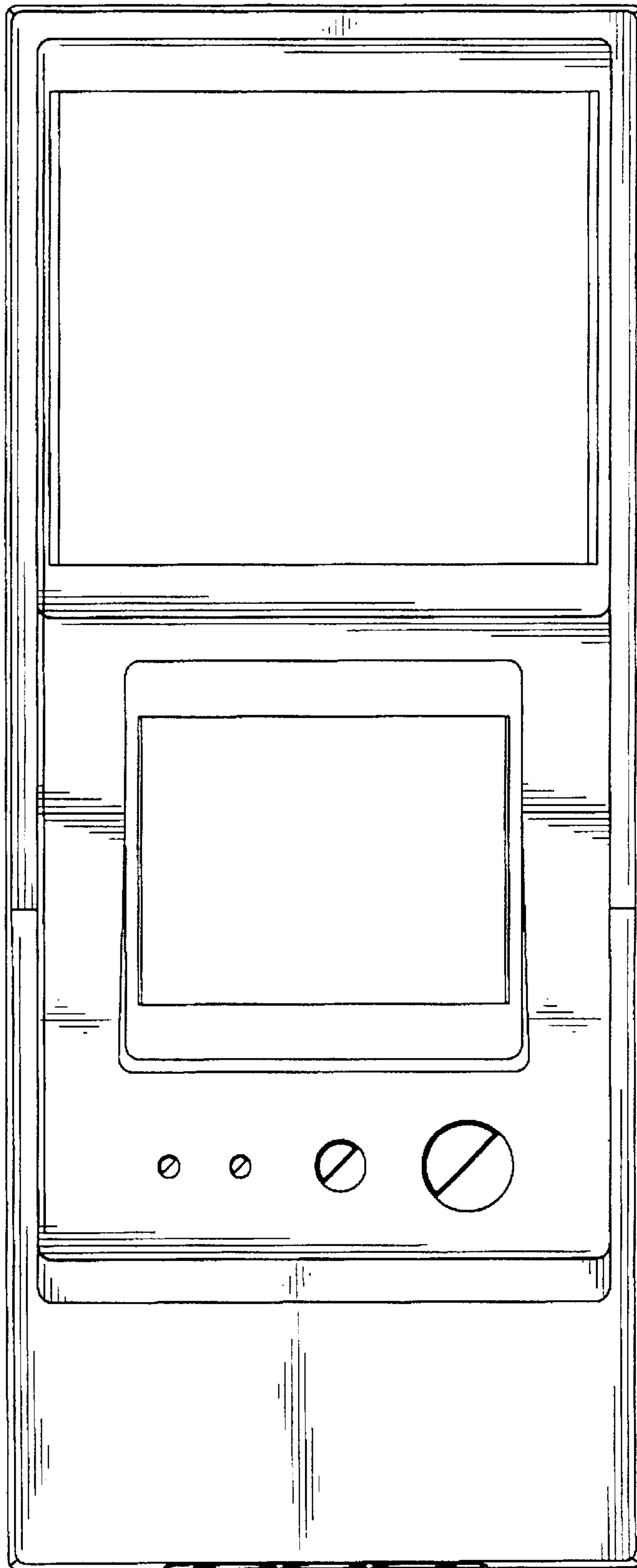


FIG. 2

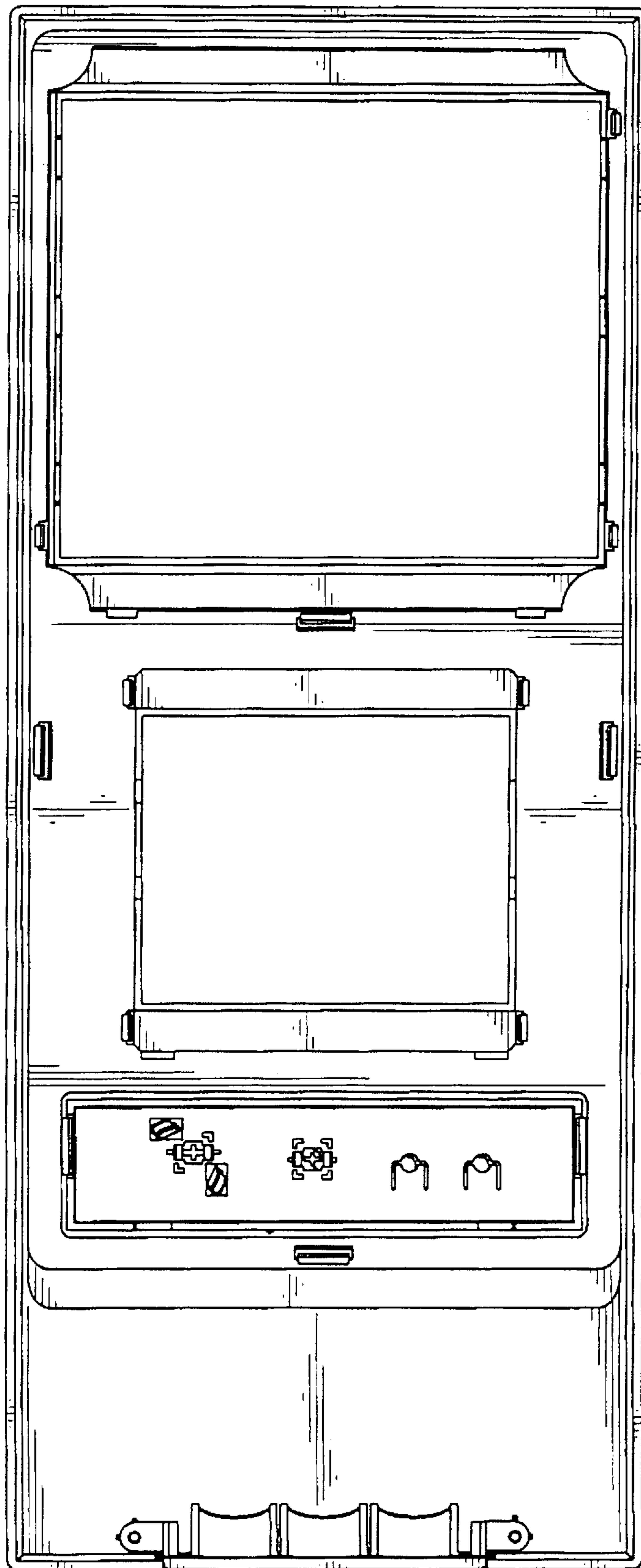


FIG. 3

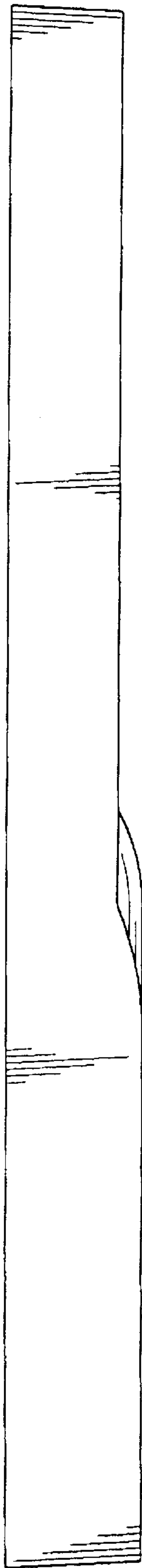


FIG. 4

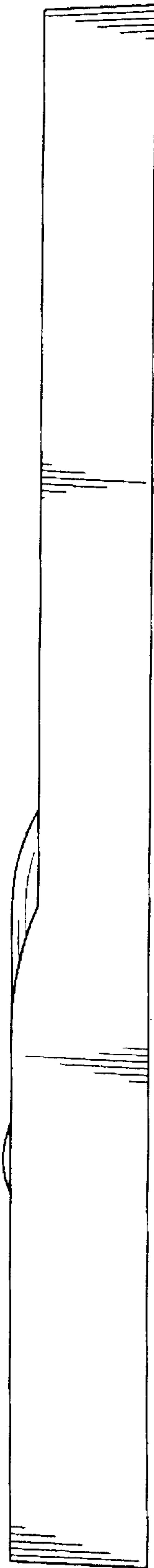


FIG. 5

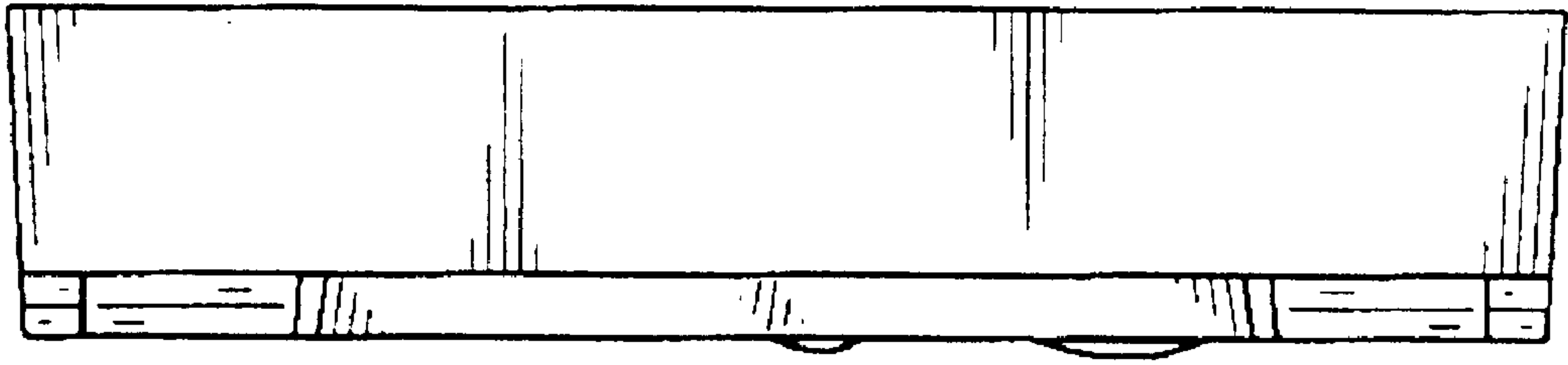


FIG. 6

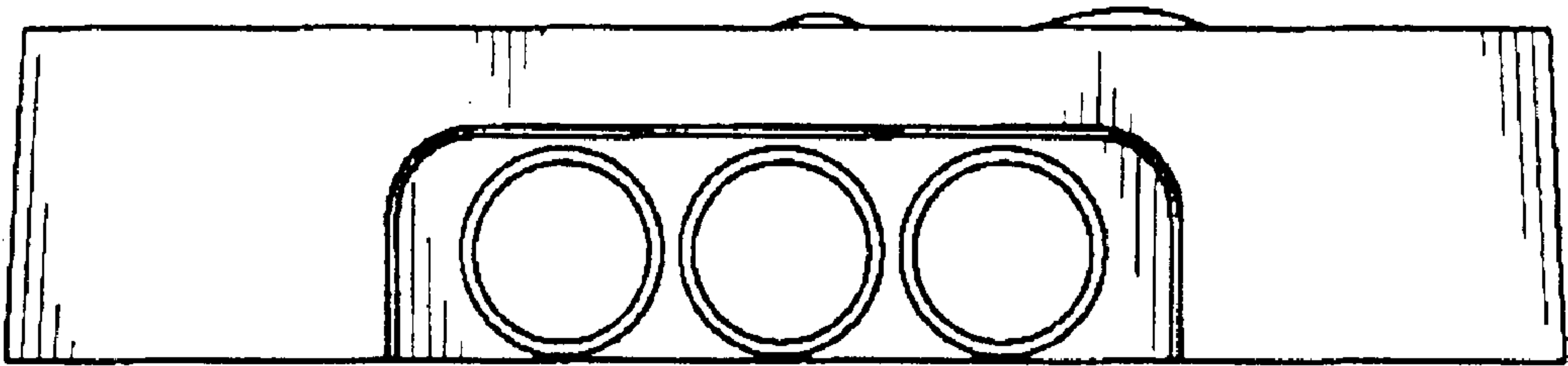


FIG. 7

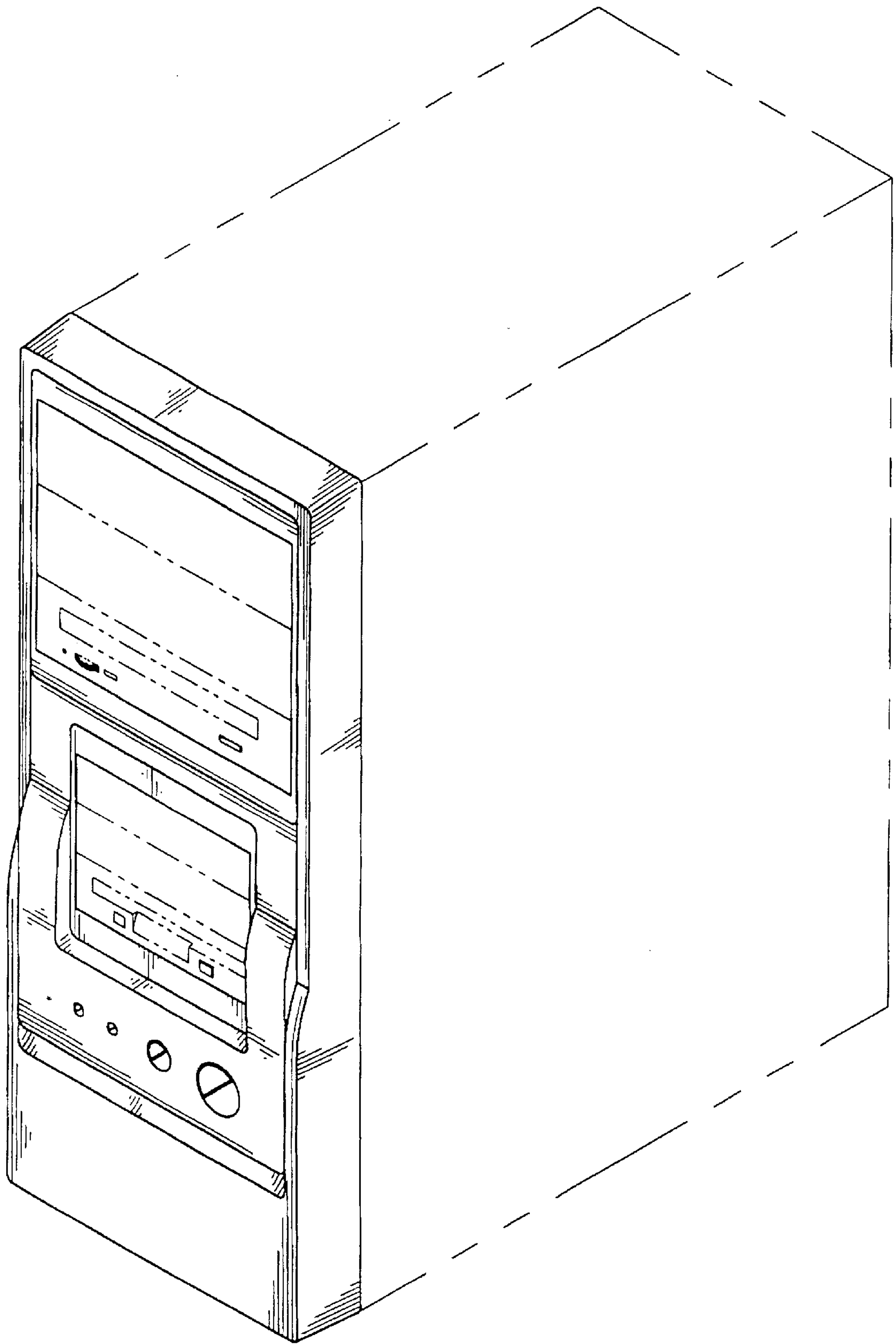


FIG. 8

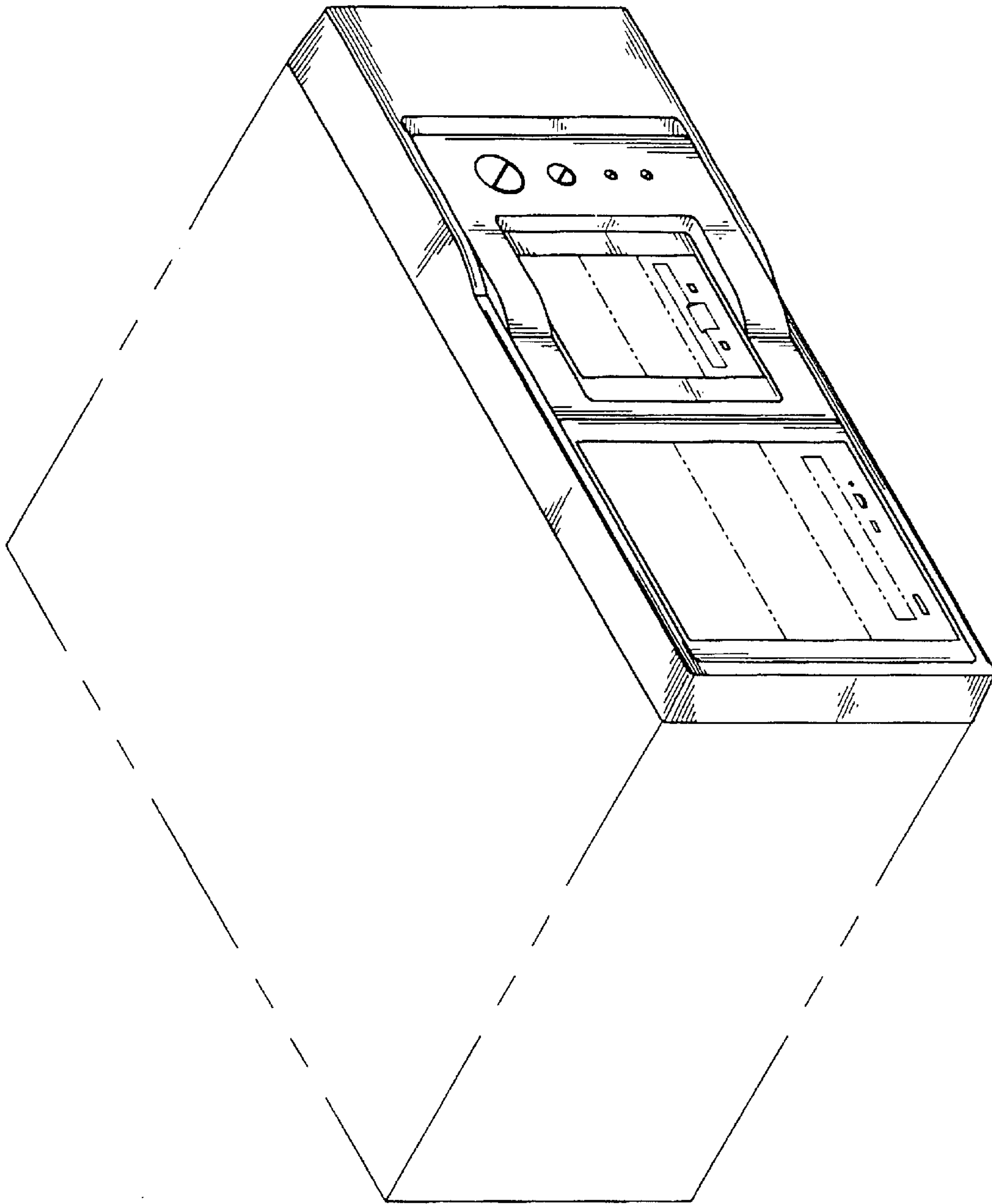


FIG. 9