



US00D449302B1

(12) **United States Design Patent**  
**Jung**

(10) **Patent No.:** **US D449,302 S**

(45) **Date of Patent:** **\*\* Oct. 16, 2001**

(54) **MONITOR**

(75) Inventor: **Seok Young Jung**, Seoul (KR)

(73) Assignee: **LG Electronics Inc.**, Seoul (KR)

(\*\*) Term: **14 Years**

(21) Appl. No.: **29/124,431**

(22) Filed: **Jun. 6, 2000**

(30) **Foreign Application Priority Data**

Dec. 6, 1999 (KR) ..... 99-29410

(51) **LOC (7) Cl.** ..... **14-02**

(52) **U.S. Cl.** ..... **D14/373**

(58) **Field of Search** ..... D14/371, 373-375,  
D14/125-129; 345/104, 133, 156, 168,  
173; 348/180, 184, 325, 739; 248/918-924;  
349/1, 2, 11, 62

(56) **References Cited**

**U.S. PATENT DOCUMENTS**

D. 395,298 \* 6/1998 Rosen ..... D14/127

D. 412,891 \* 8/1999 Sumii ..... D14/374

D. 417,659 \* 12/1999 Takemasa ..... D14/374

6,067,078 \* 5/2000 Hartman ..... 345/168

\* cited by examiner

*Primary Examiner*—Freda Nunn

(57) **CLAIM**

The ornamental design for a monitor, as shown and described.

**DESCRIPTION**

FIG. 1 is a perspective view of a monitor showing the new design;

FIG. 2 is a front view of the monitor of FIG. 1;

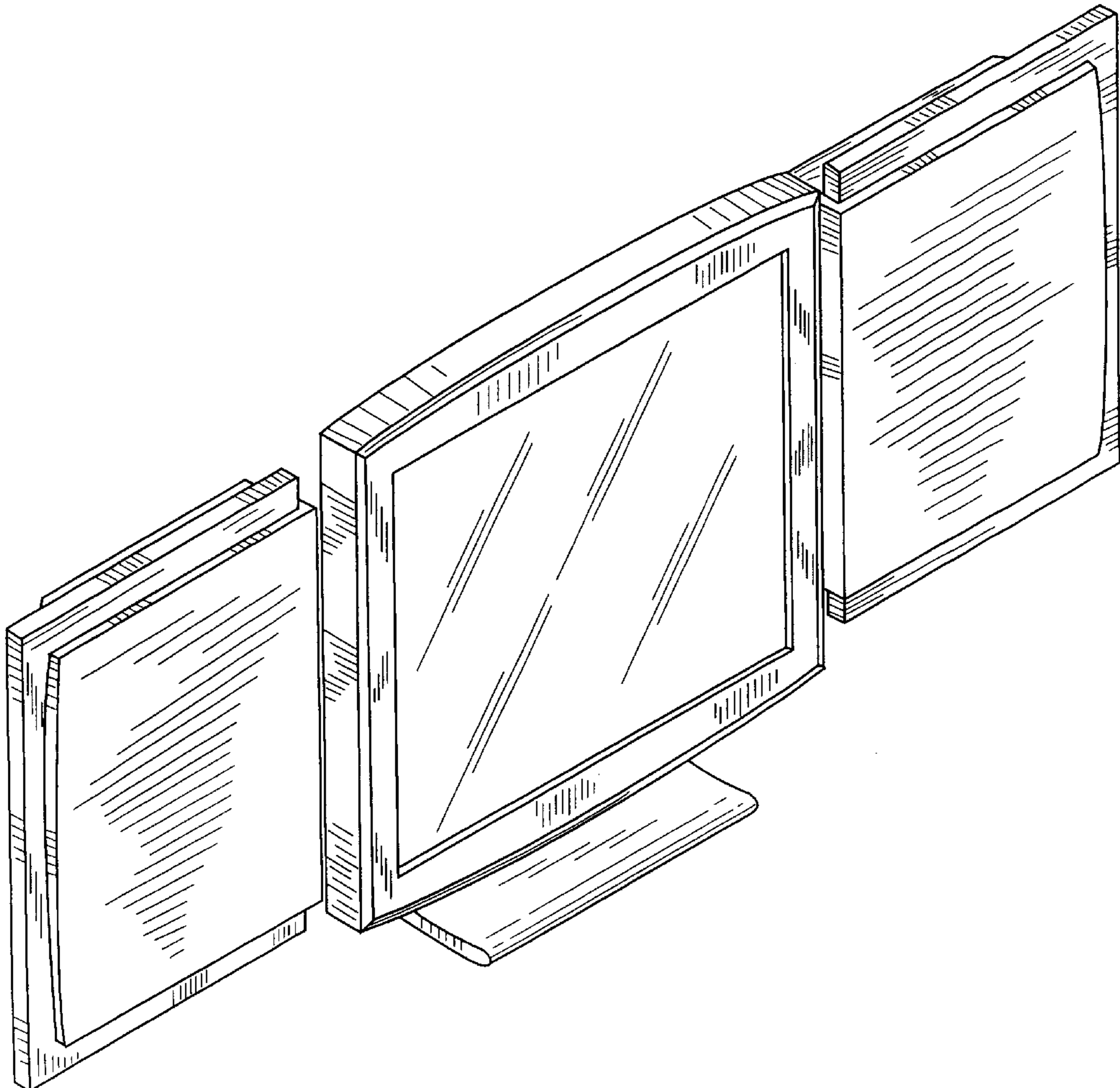
FIG. 3 is a rear view of the monitor of FIG. 1;

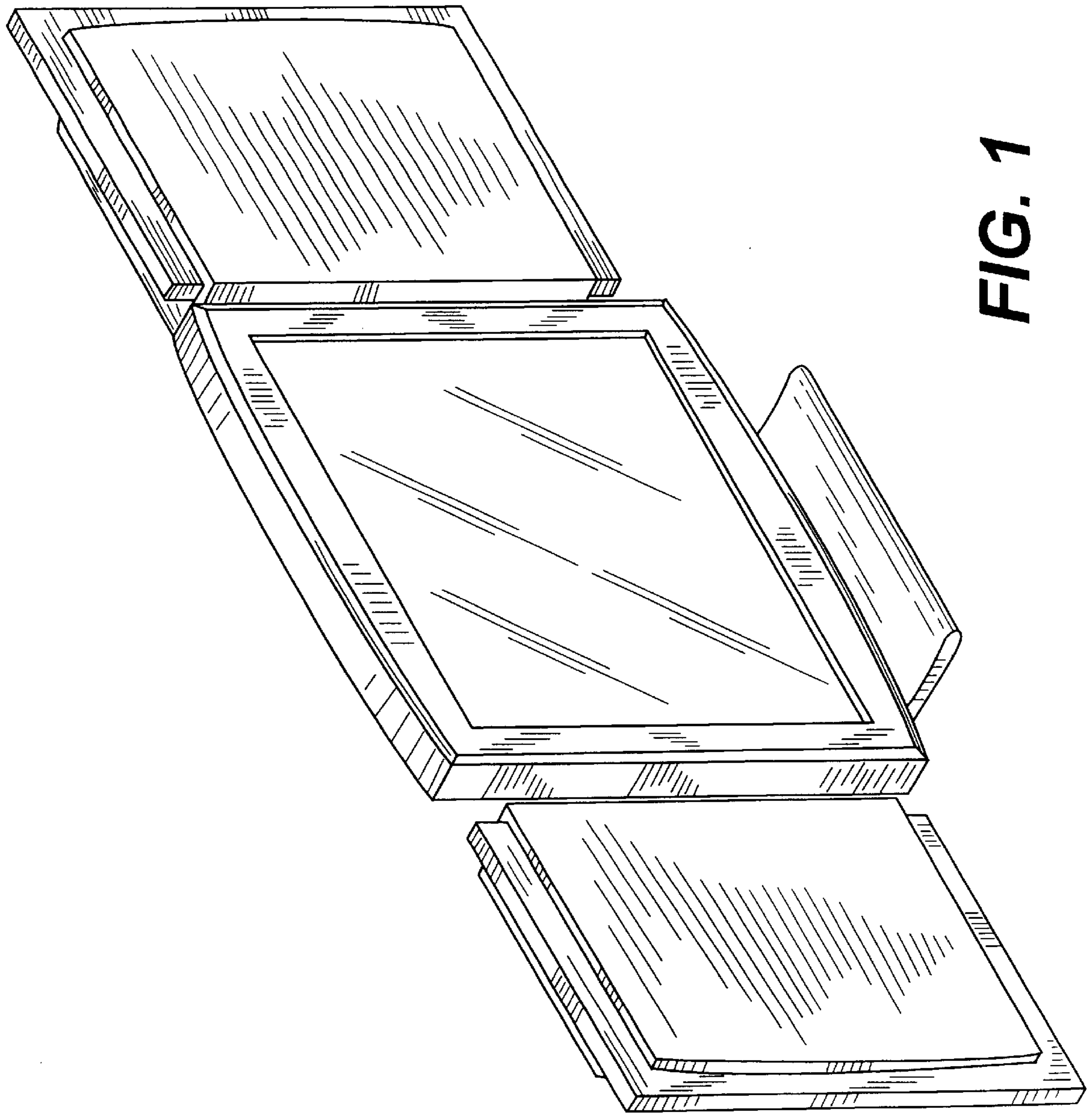
FIG. 4 is a left side view of the monitor of FIG. 1 with the right-side view being a mirror image thereof;

FIG. 5 is a top view of the monitor of FIG. 1; and,

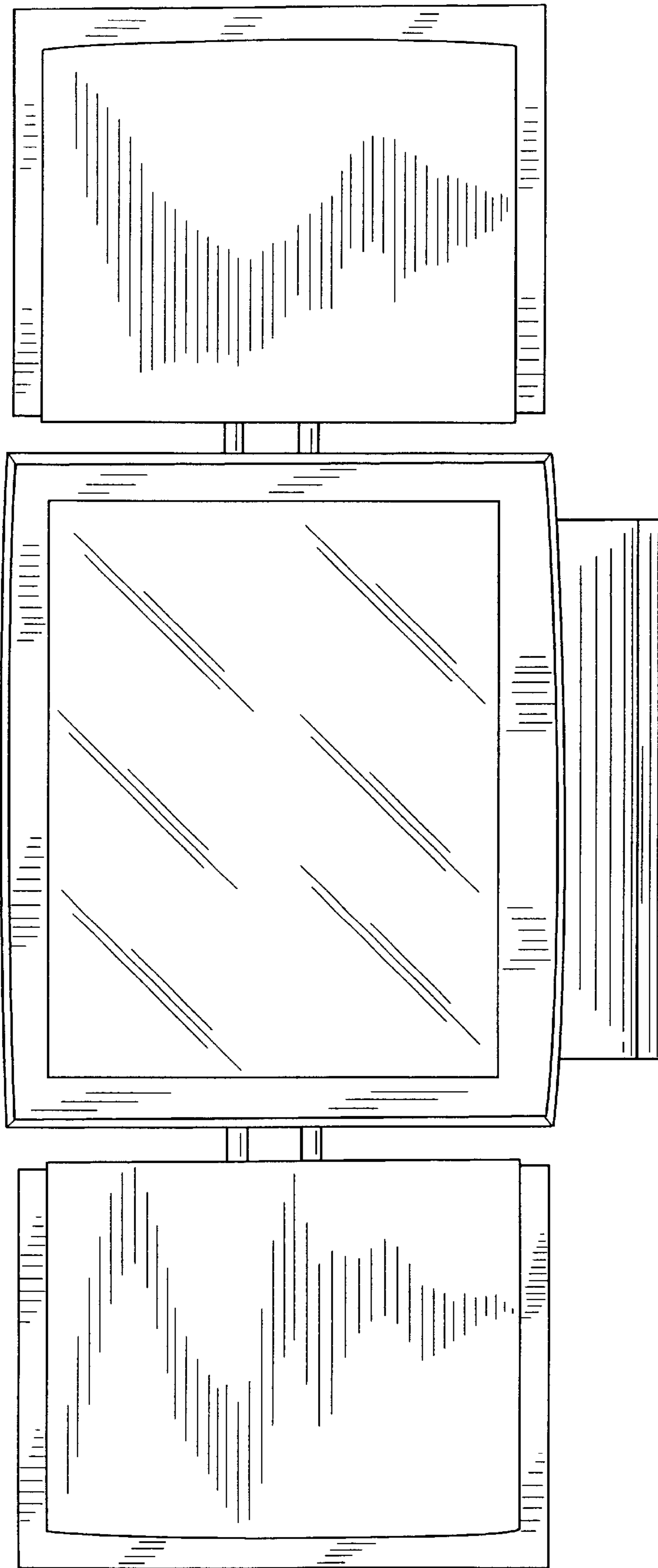
FIG. 6 is a bottom view of the monitor of FIG. 1.

**1 Claim, 6 Drawing Sheets**

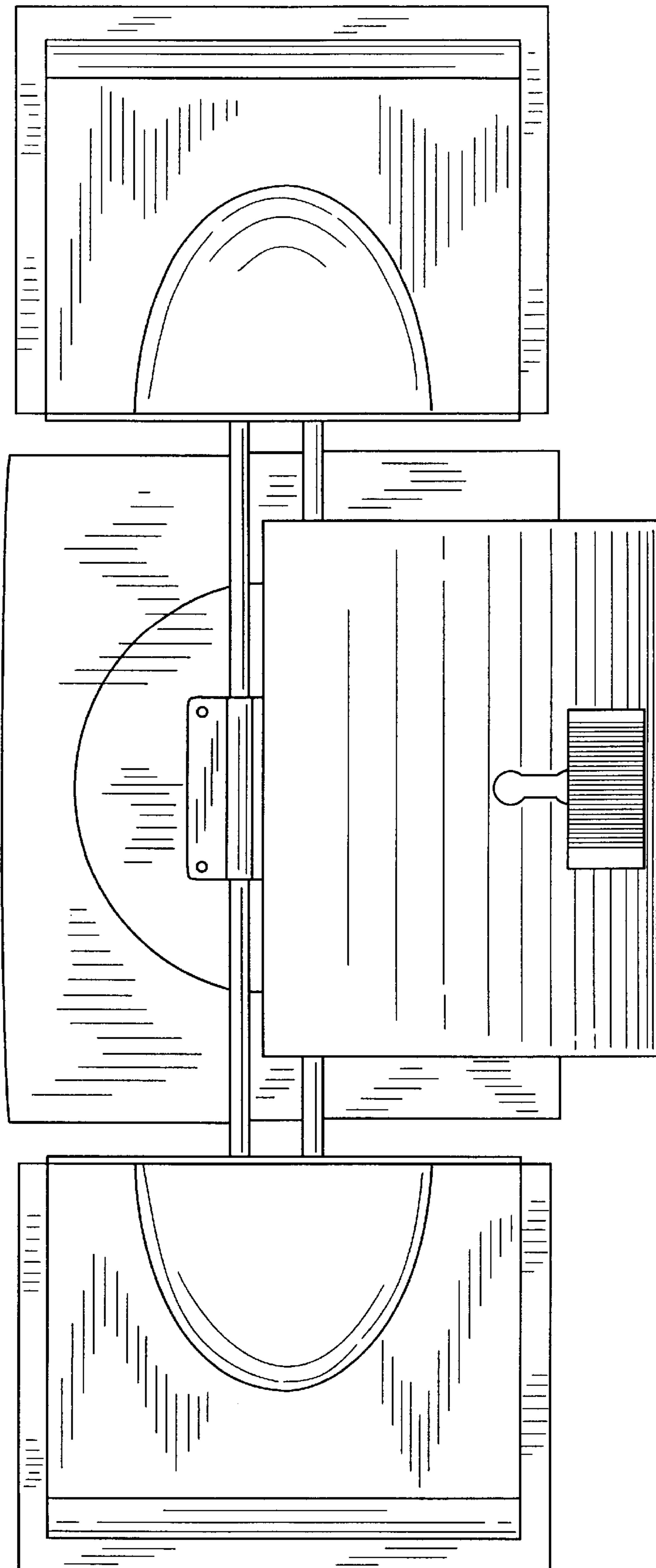




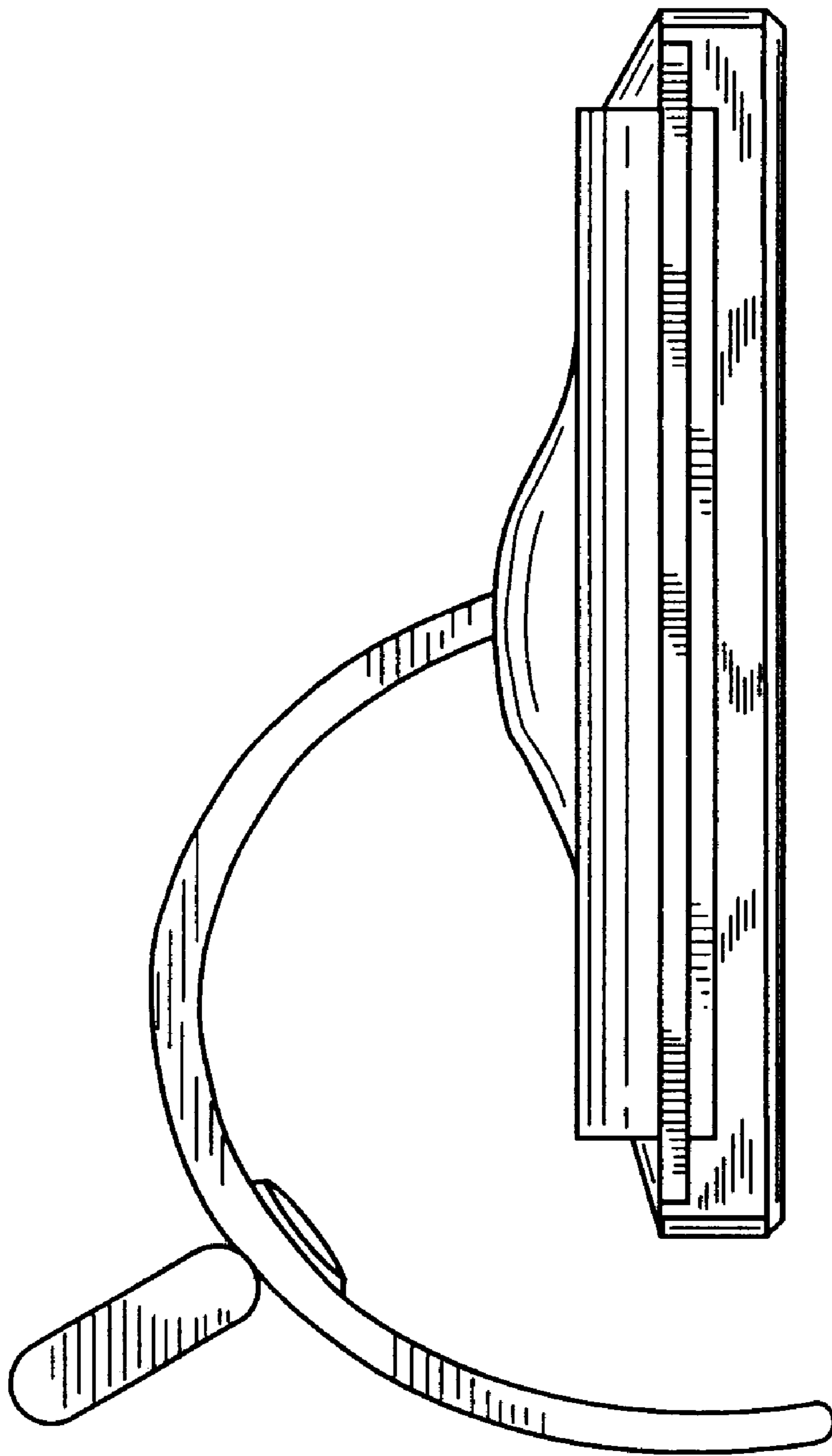
**FIG. 1**



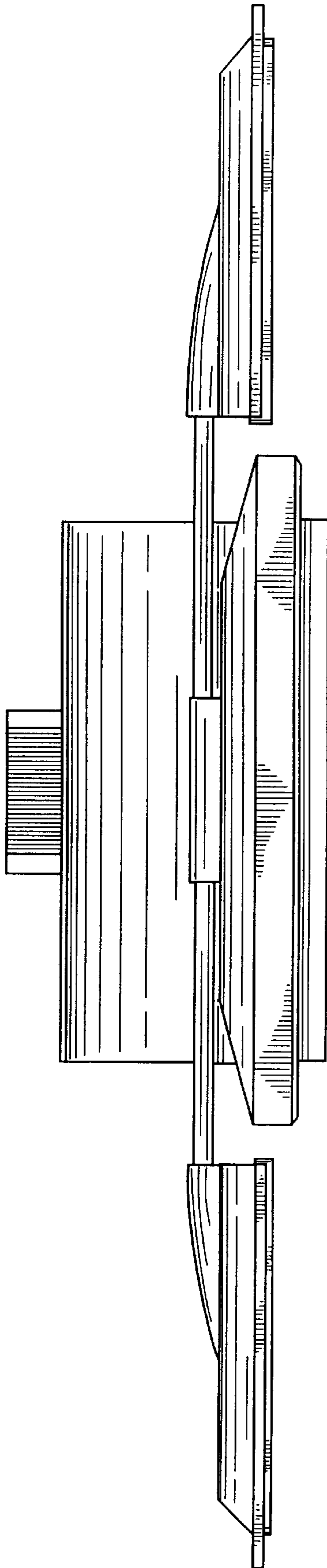
**FIG. 2**



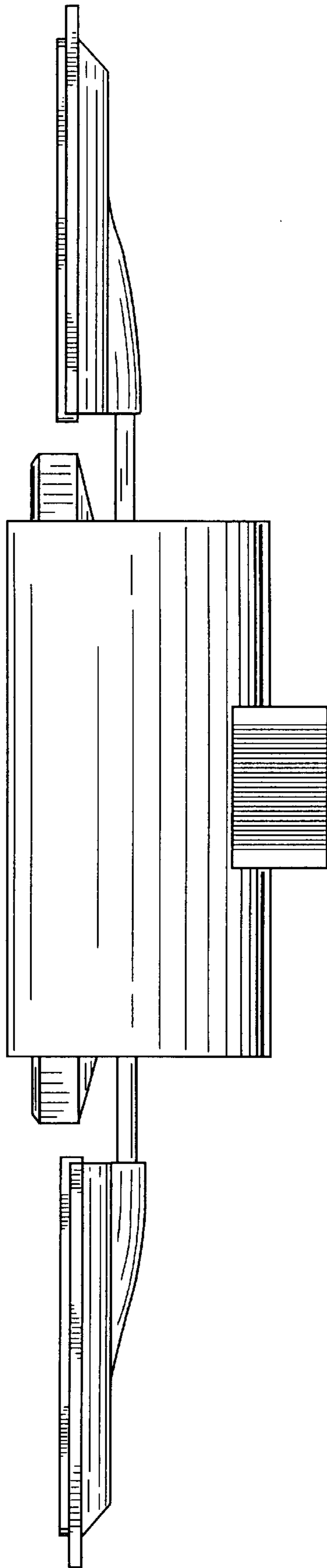
**FIG. 3**



**FIG. 4**



**FIG. 5**



**FIG. 6**