



US00D449300B1

(12) **United States Design Patent**
Bentz et al.

(10) **Patent No.: US D449,300 S**

(45) **Date of Patent: ** Oct. 16, 2001**

(54) **WALL MOUNTED MEDIA CONVERTER HOUSING**

6,108,331 * 8/2000 Thompson 370/352
6,188,825 * 2/2001 Bandy et al. 385/134
6,215,666 * 4/2001 Hileman et al. 361/752

(75) Inventors: **Craig A. Bentz**, Bloomington; **Vern Loch**, Prior Lake; **Joseph Coffey**, Burnsville, all of MN (US)

* cited by examiner

Primary Examiner—Joel Sincavage

(73) Assignee: **ADC Telecommunications, Inc.**, Minnetonka, MN (US)

(74) *Attorney, Agent, or Firm*—Merchant & Gould P.C.

(**) Term: **14 Years**

(57) **CLAIM**

The ornamental design for a wall mounted media converter housing.

(21) Appl. No.: **29/127,696**

DESCRIPTION

(22) Filed: **Aug. 10, 2000**

(51) **LOC (7) Cl.** **14-02**

(52) **U.S. Cl.** **D14/357**

(58) **Field of Search** D13/123; D14/299,
D14/356, 357, 358, 433, 434; 359/152;
361/679, 827; 385/134, 136

FIG. 1 is a perspective view of a wall mounted media converter housing;

FIG. 2 is a front elevational view of the housing shown in FIG. 1;

FIG. 3 is a back elevational view of the housing shown in FIG. 1;

FIG. 4 is a right elevational view of the housing shown in FIG. 1;

FIG. 5 is a left elevational view of the housing shown in FIG. 1;

FIG. 6 is a top plan view of the housing shown in FIG. 1; and,

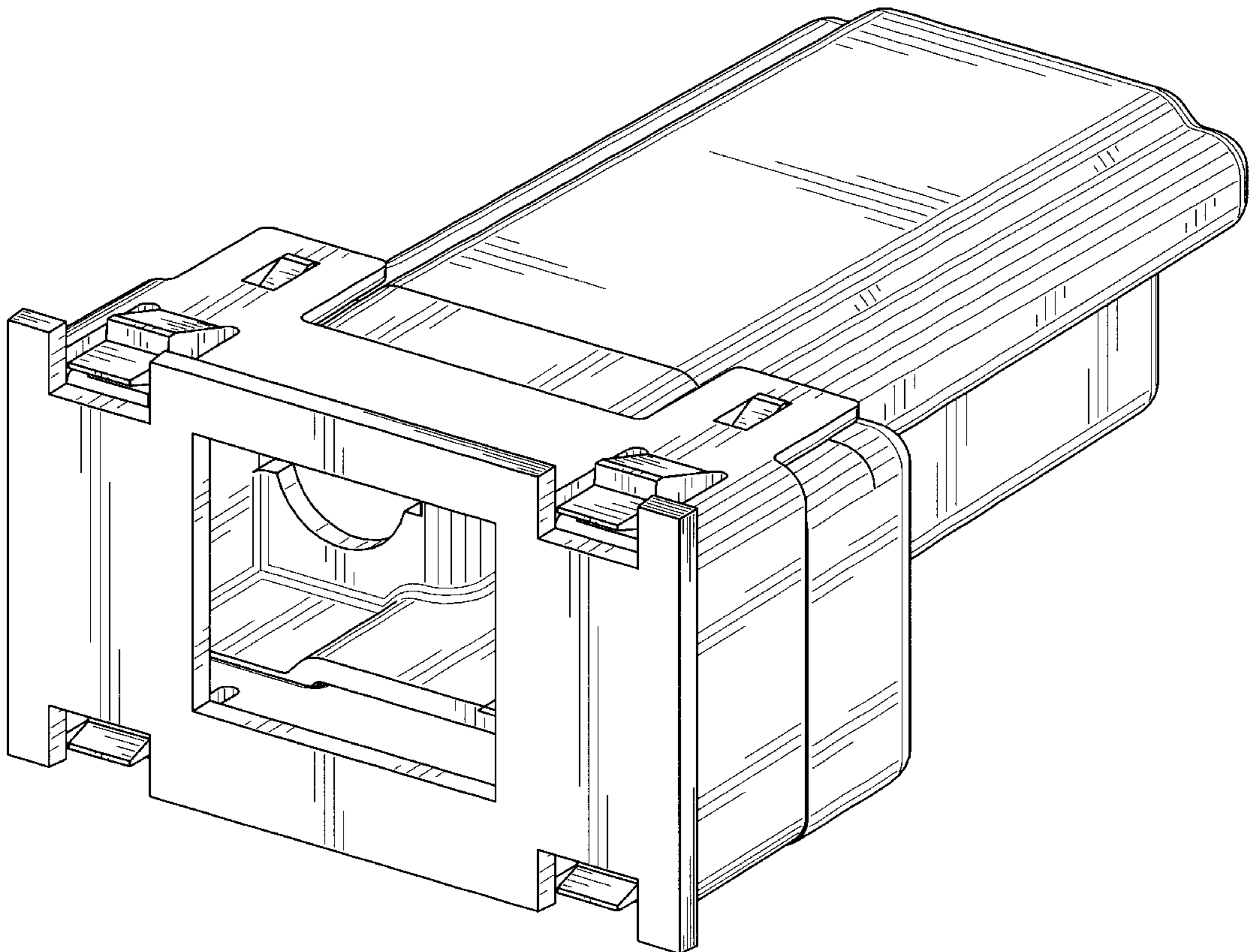
FIG. 7 is a bottom plan view of the combination shown in FIG. 1.

(56) **References Cited**

U.S. PATENT DOCUMENTS

D. 267,008 * 11/1982 Hutcheson D14/357
4,976,510 * 12/1990 Davila et al. 385/135
5,189,256 * 2/1993 Epple 174/50
5,748,821 * 5/1998 Schempp et al. 385/76
5,767,999 * 6/1998 Kayner 359/163
5,881,191 * 3/1999 Liberty 385/58
5,949,946 * 9/1999 Debortoli et al. 385/134

1 Claim, 4 Drawing Sheets



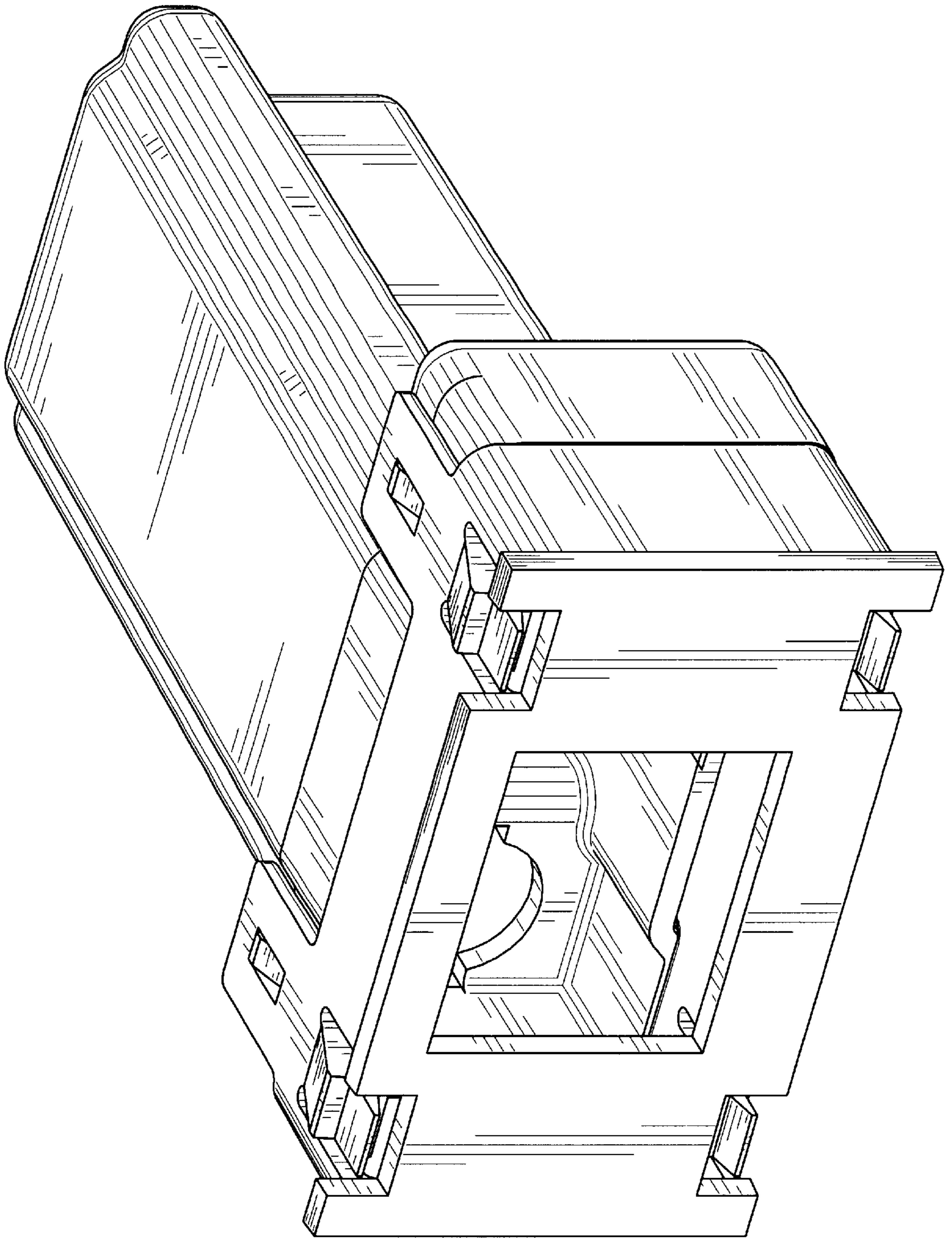


FIG. 1

FIG. 2

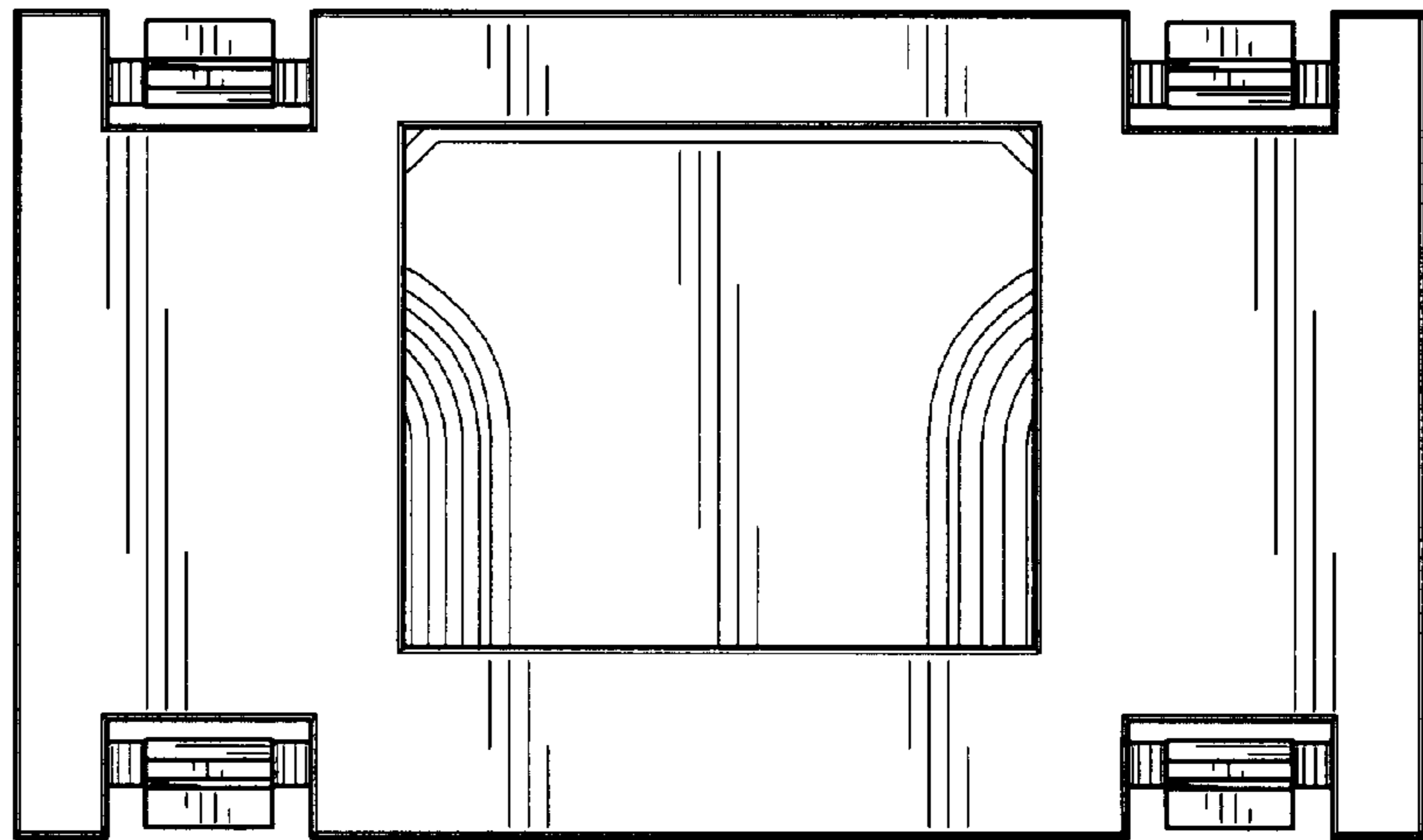


FIG. 3

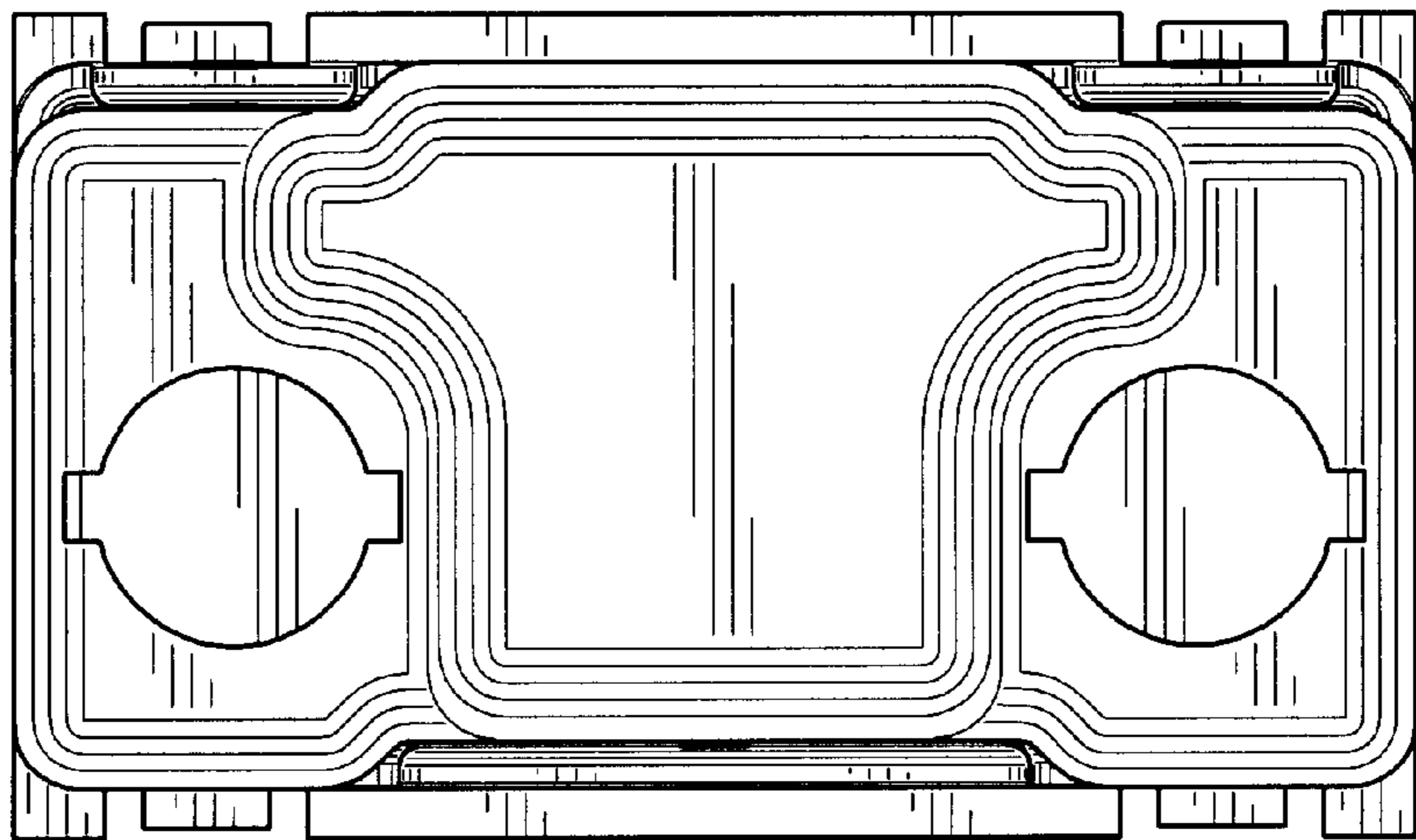


FIG. 4

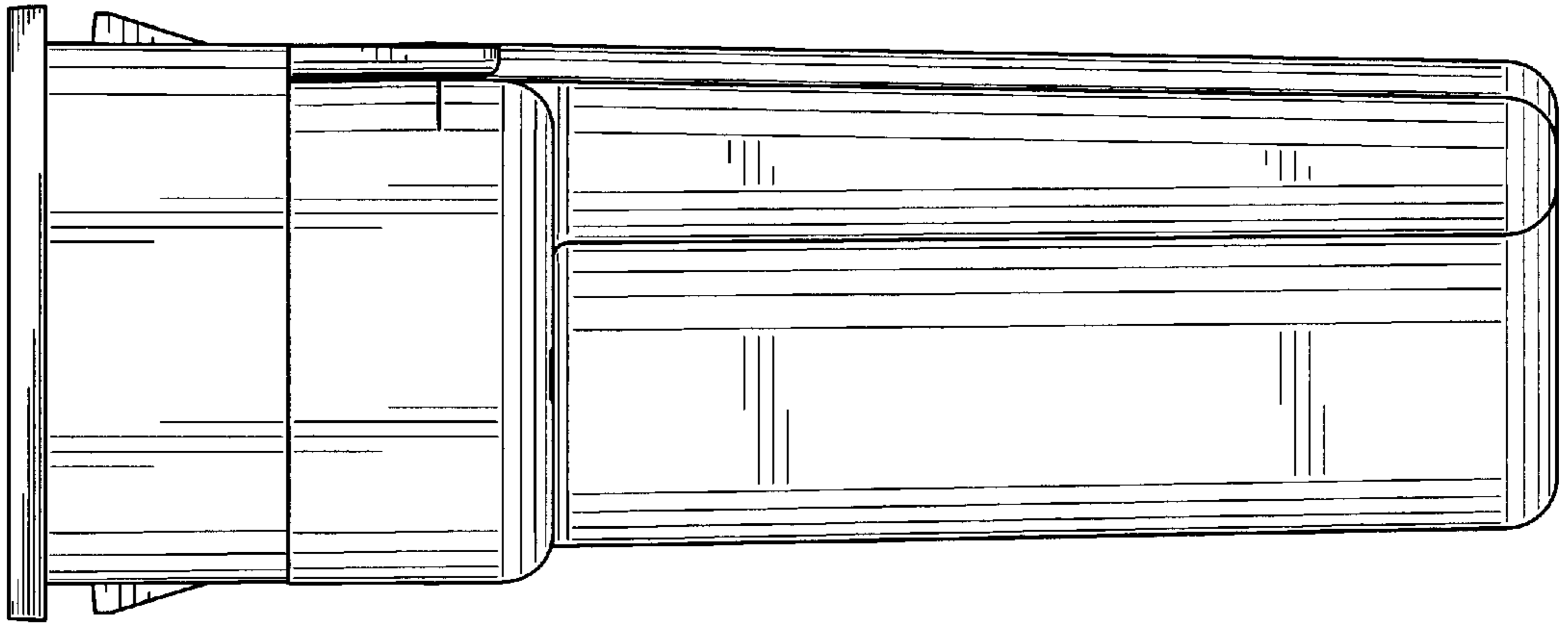


FIG. 5

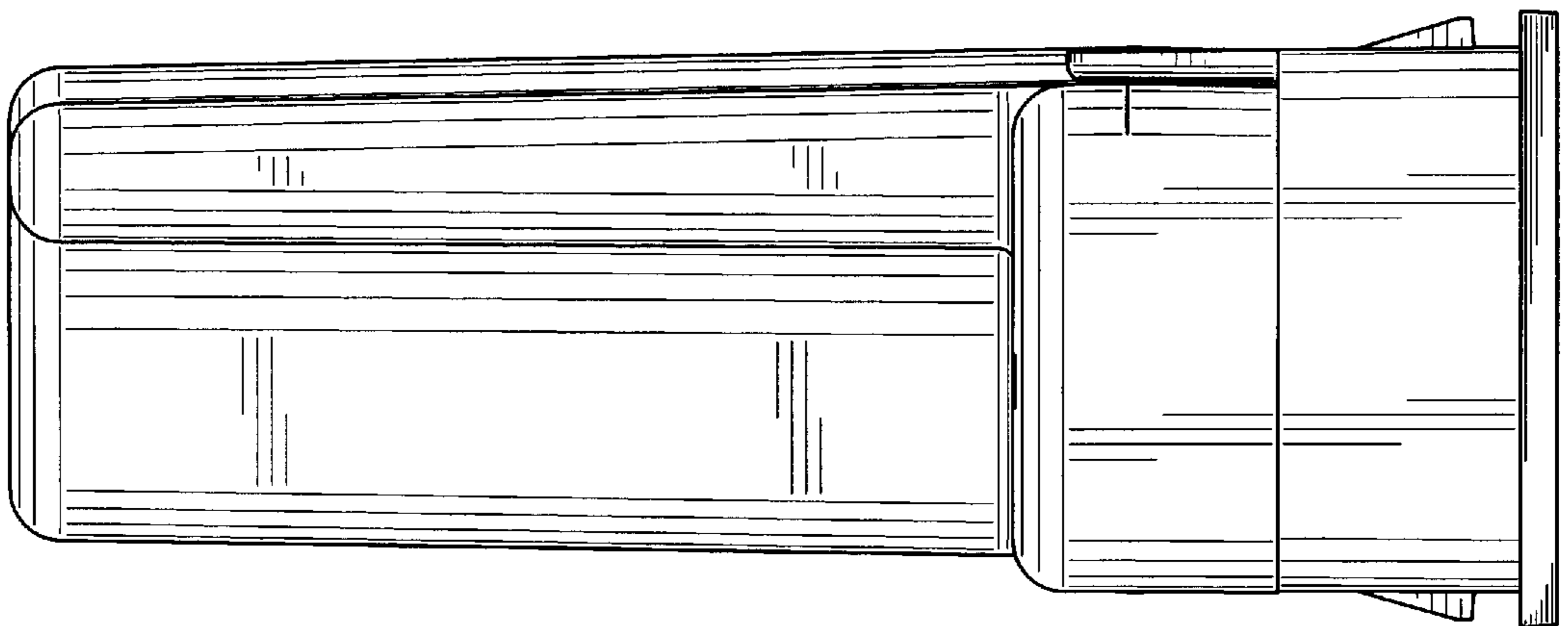


FIG. 6

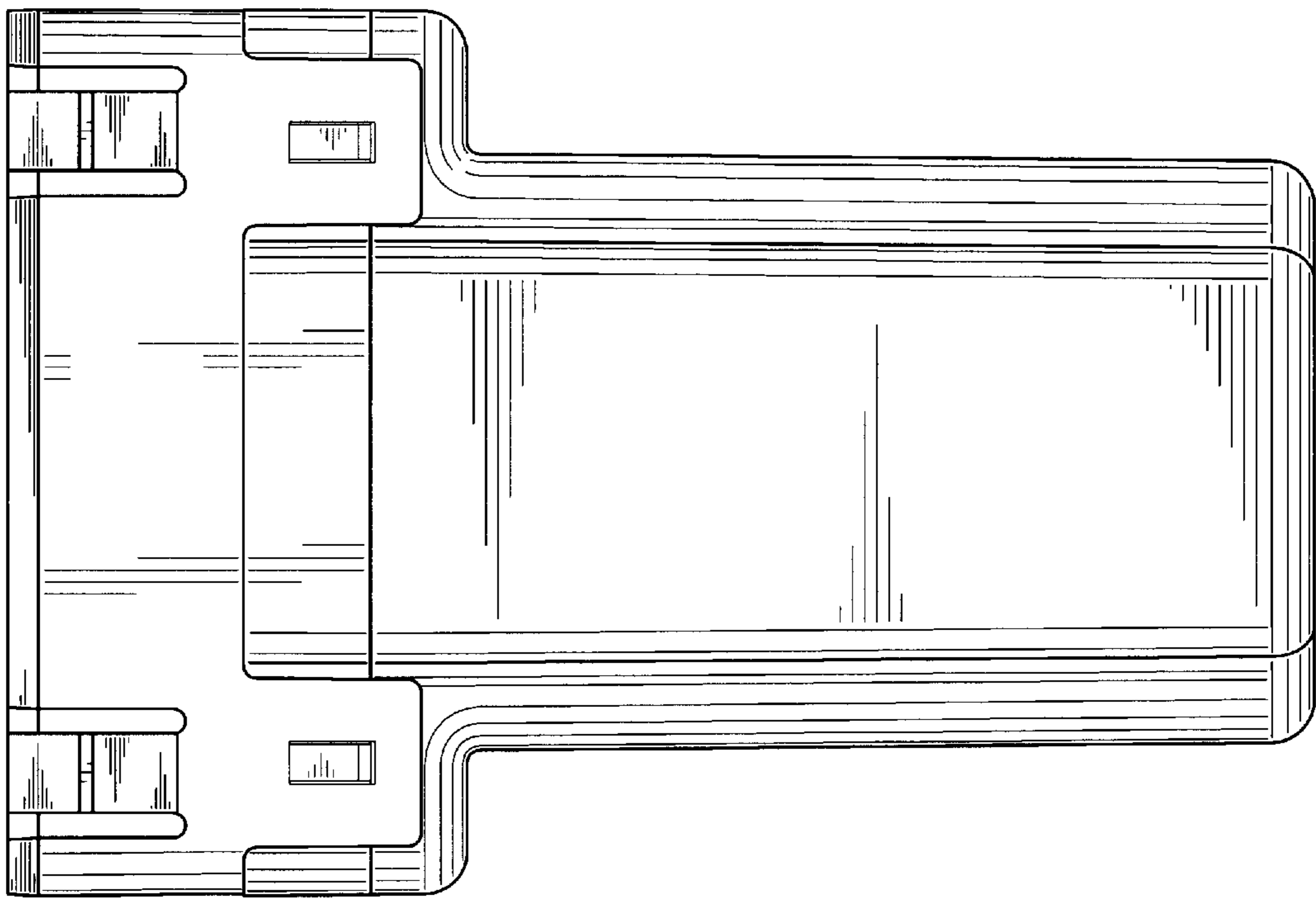


FIG. 7

