



US00D449298B1

(12) **United States Design Patent**
Matsuoka

(10) **Patent No.:** **US D449,298 S**

(45) **Date of Patent:** **** Oct. 16, 2001**

(54) **COMPUTER**

(75) Inventor: **Shoichiro Matsuoka, Tokyo (JP)**

(73) Assignee: **Sony Corporation, Tokyo (JP)**

(**) Term: **14 Years**

(21) Appl. No.: **29/126,009**

(22) Filed: **Jul. 7, 2000**

(51) **LOC (7) Cl.** **14-02**

(52) **U.S. Cl.** **D14/349**

(58) **Field of Search** D14/349, 352,
D14/356; D13/162, 184, 199; 312/223.2;
360/99.12

(56) **References Cited**

U.S. PATENT DOCUMENTS

D. 390,202	*	2/1998	Goto	D14/349
D. 393,836	*	4/1998	Hisatsune et al.	D14/356
D. 396,216	*	7/1998	Chen et al.	D14/352
5,884,988	*	3/1999	Foo et al.	312/223.2

OTHER PUBLICATIONS

Catalog "Vaio" 3 sheets, Sony, Jun. 1999.

* cited by examiner

Primary Examiner—Freda Nunn

(74) *Attorney, Agent, or Firm*—Rader, Fishman & Grauer, PLLC

(57) **CLAIM**

The ornamental design for a computer, as shown and described.

DESCRIPTION

FIG. 1 is a perspective view of a computer showing my new design;

FIG. 2 is a top plan view thereof;

FIG. 3 is a bottom plan view thereof;

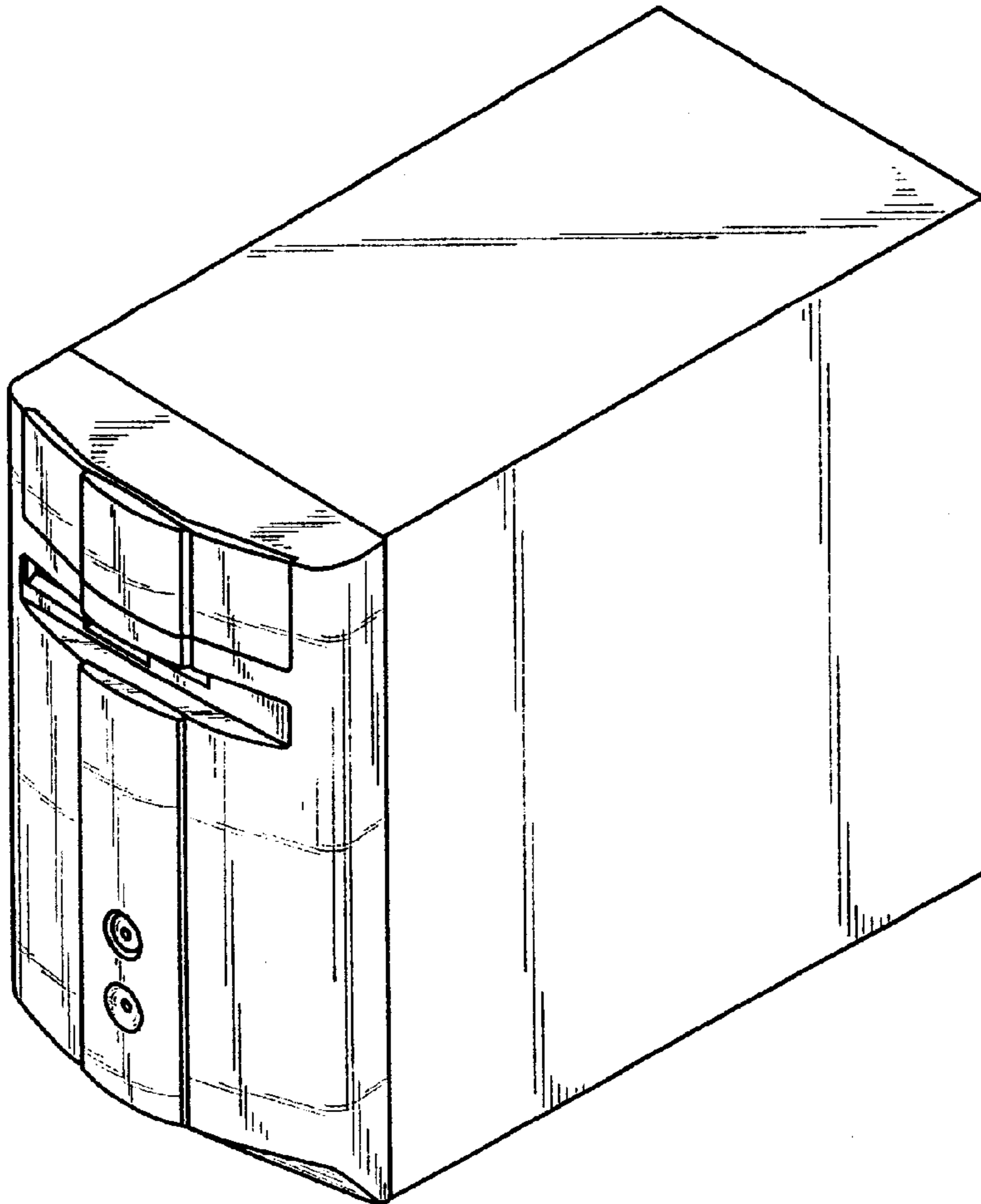
FIG. 4 is a left side elevational view thereof;

FIG. 5 is a right side elevational view thereof;

FIG. 6 is a front elevational view thereof; and,

FIG. 7 is a rear elevational view thereof.

1 Claim, 4 Drawing Sheets



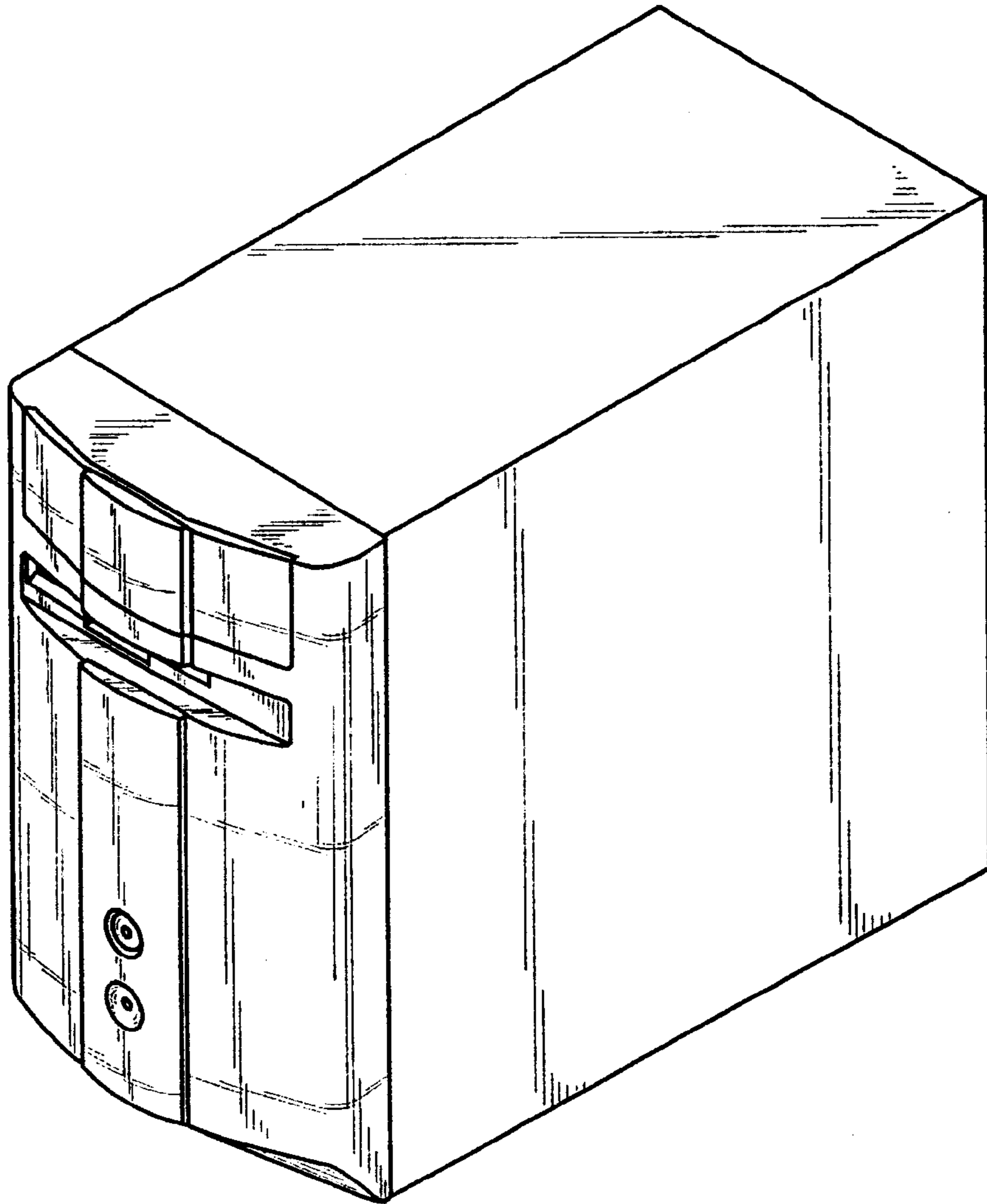


Fig. 1

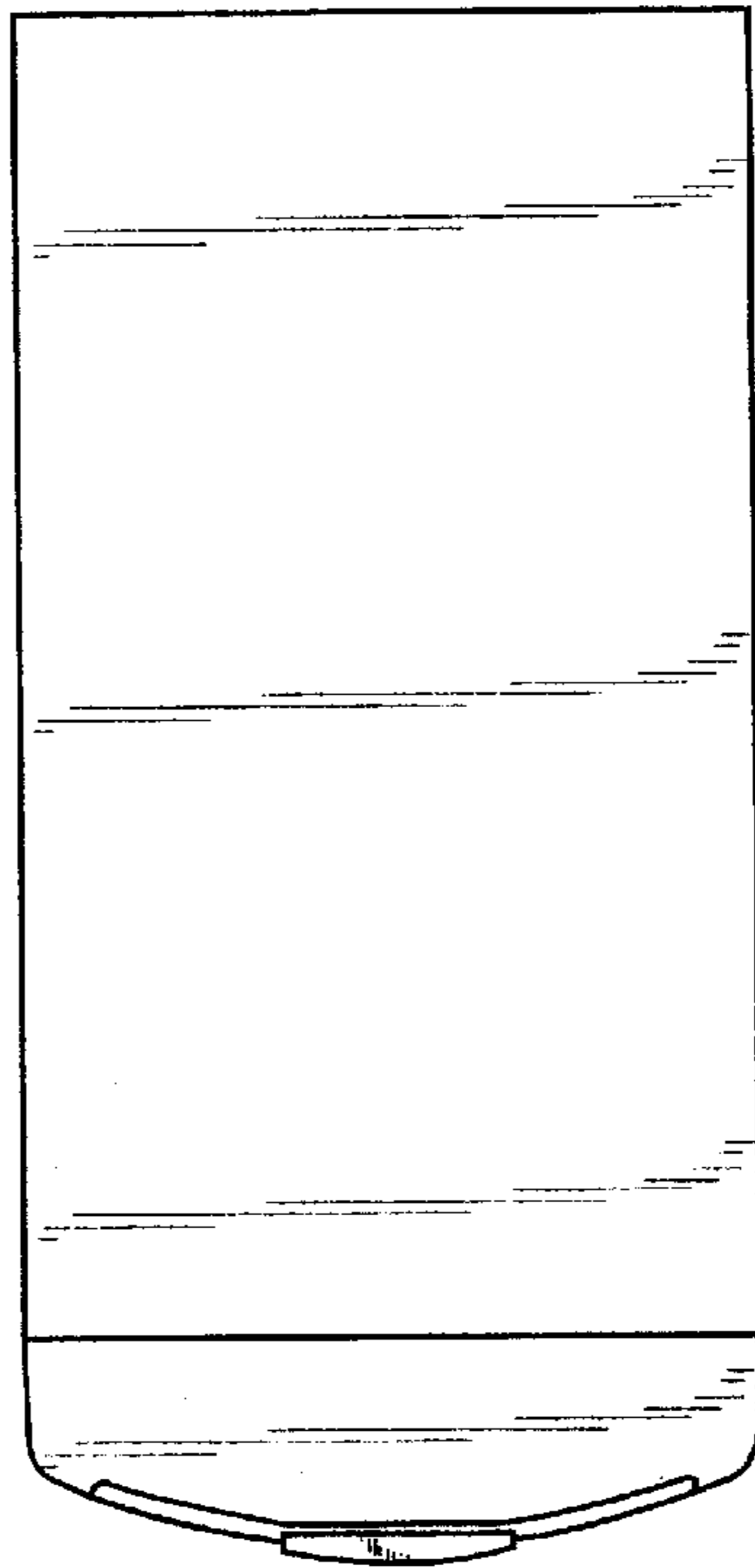


Fig. 2

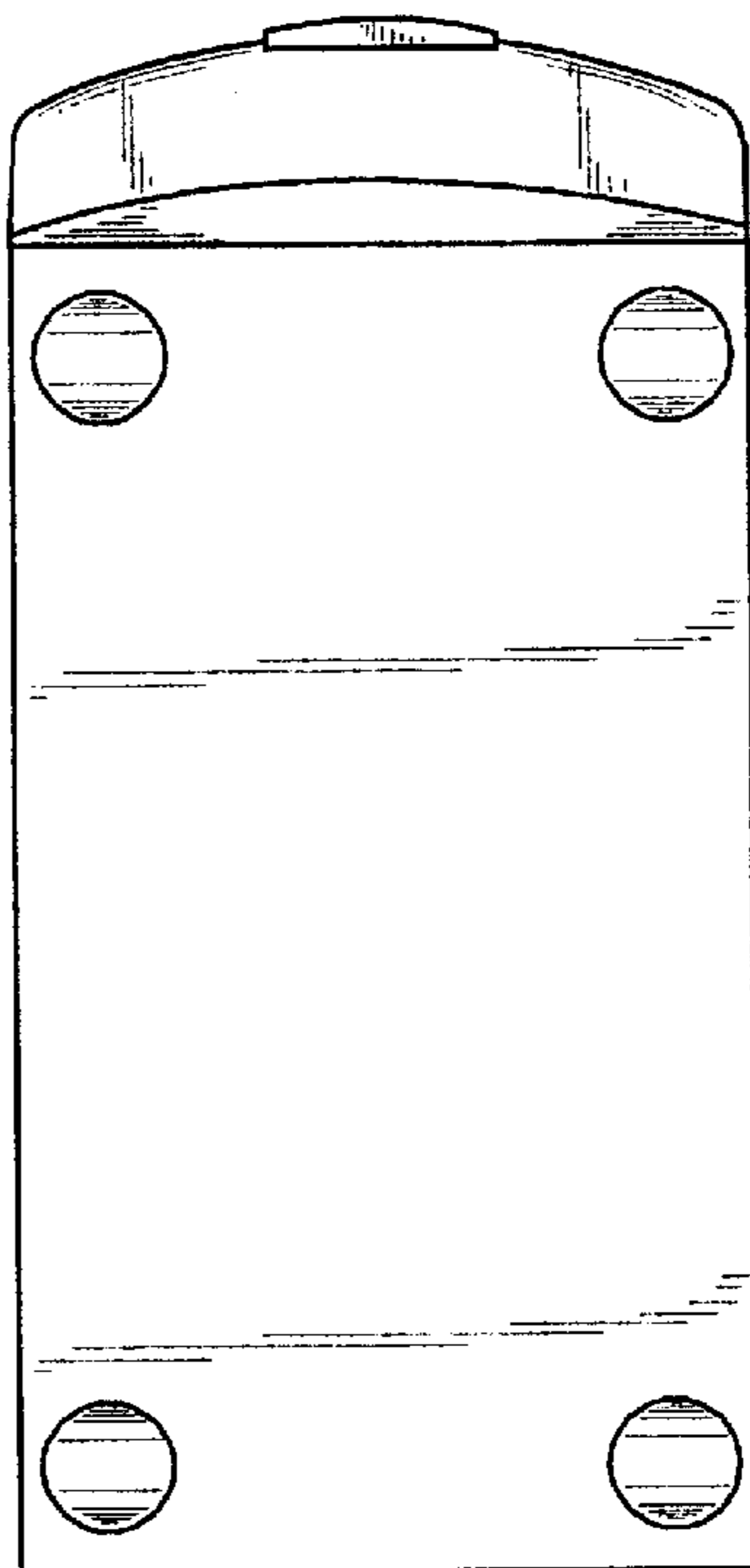


Fig. 3

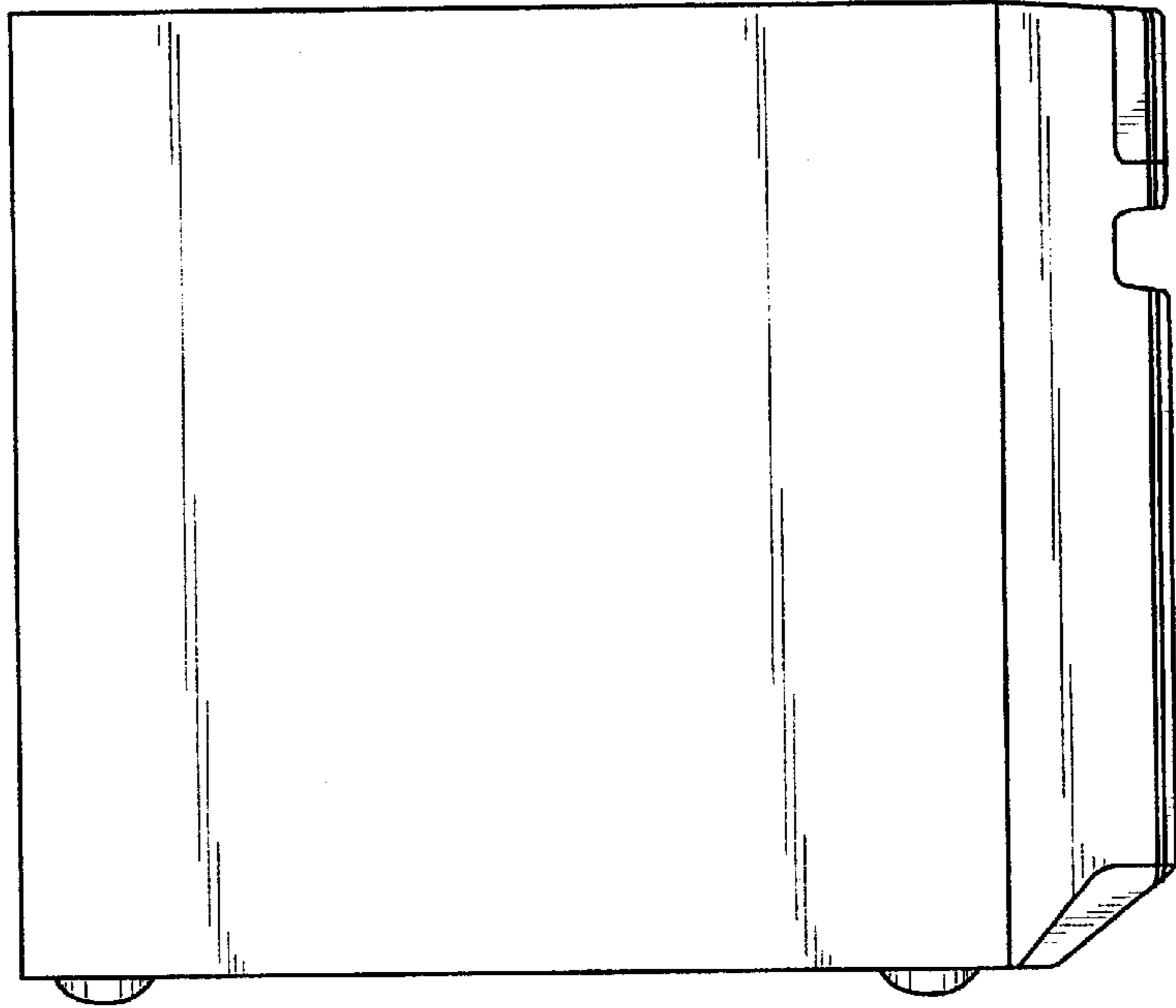


Fig. 4

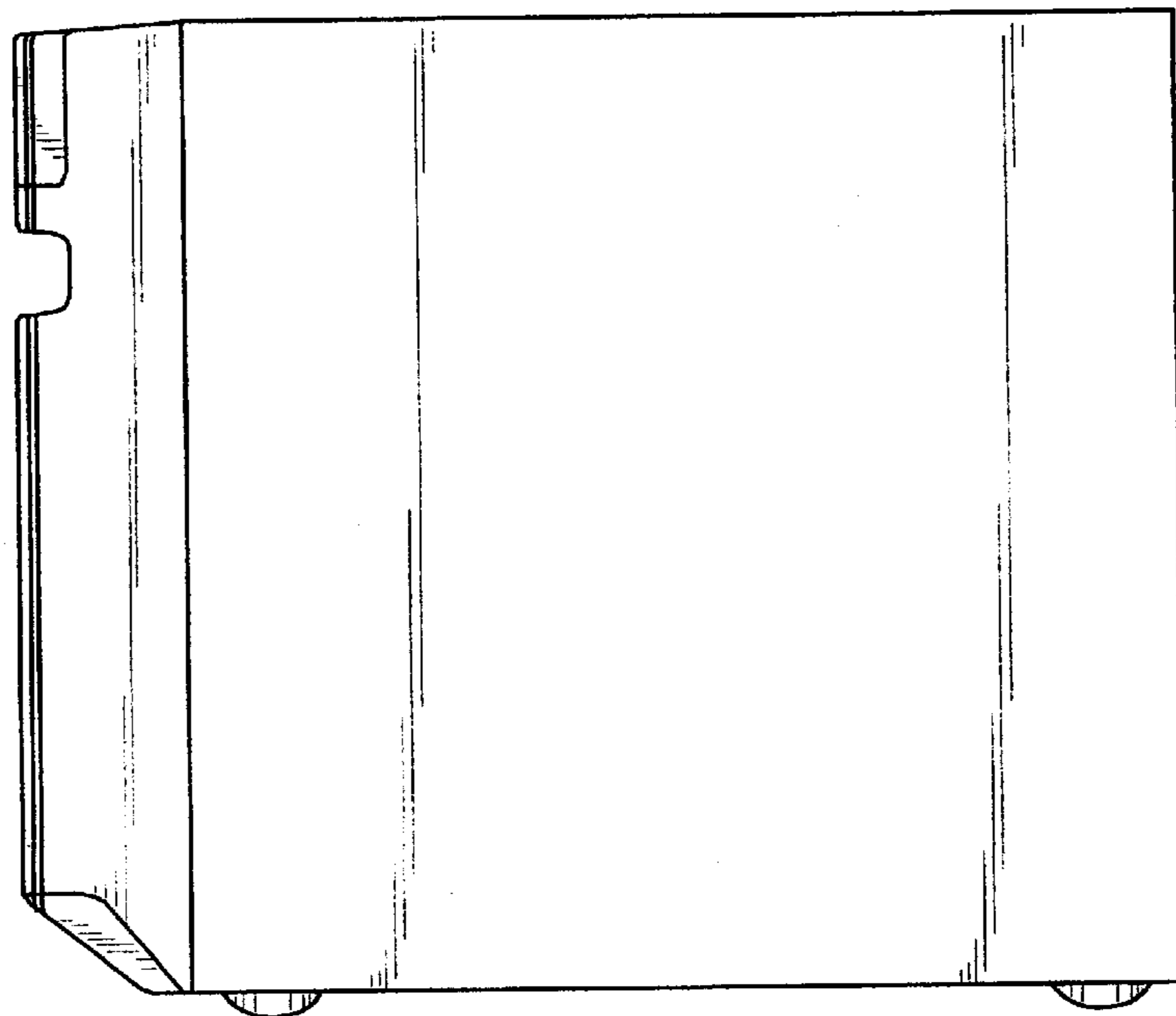


Fig. 5

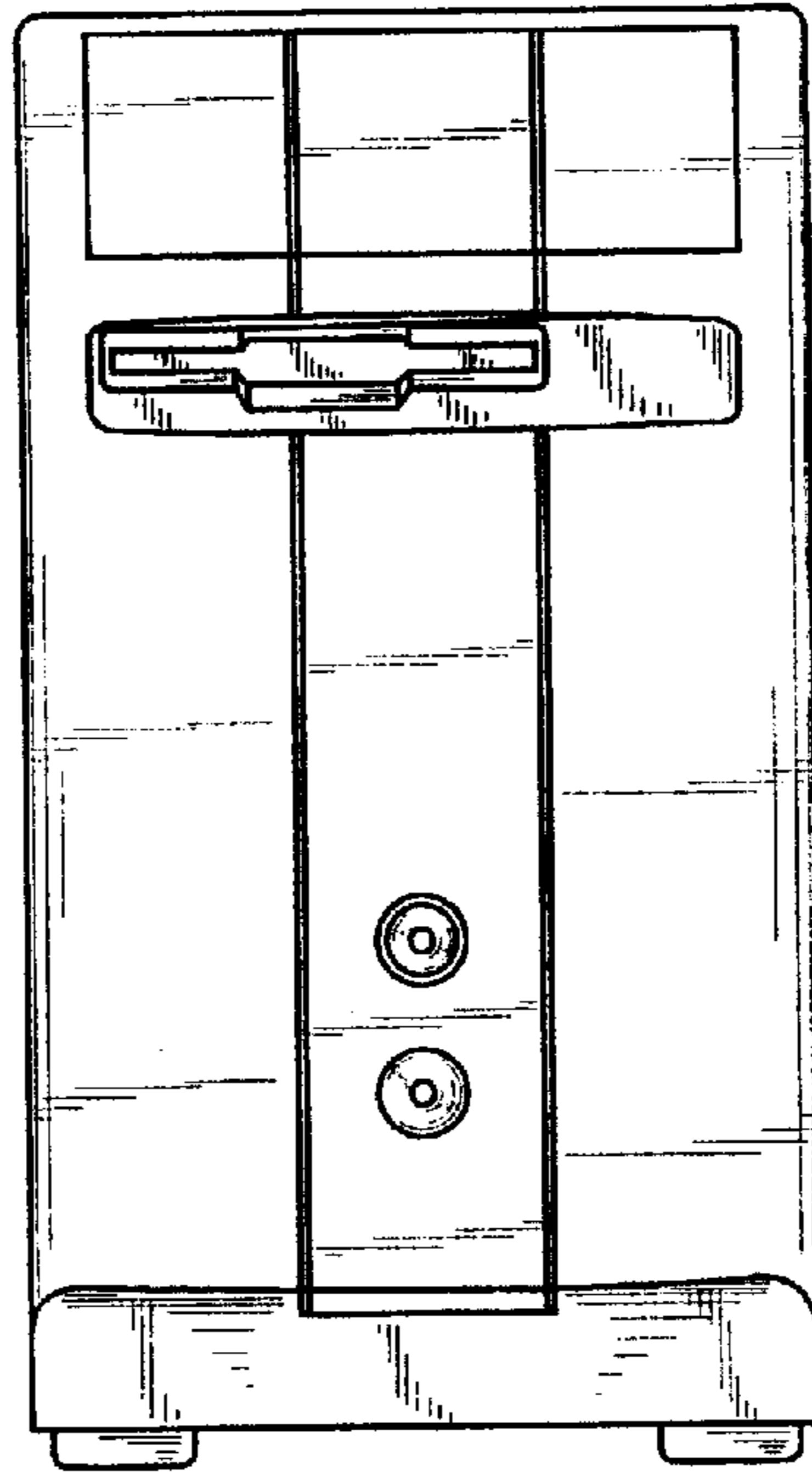


Fig. 6

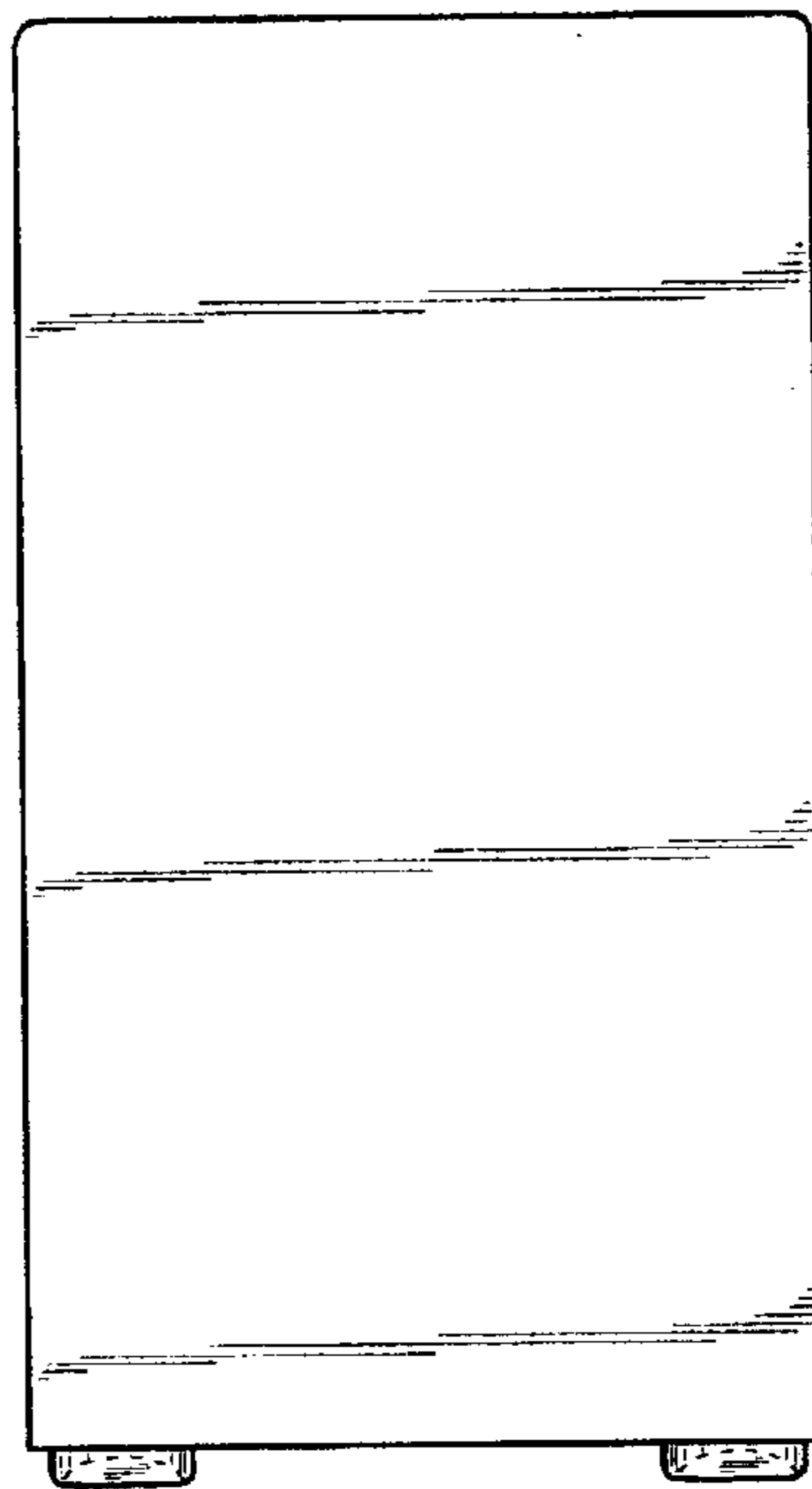


Fig. 7