



US00D449292B1

(12) **United States Design Patent**  
**Miyazaki**

(10) **Patent No.:** **US D449,292 S**

(45) **Date of Patent:** **\*\* Oct. 16, 2001**

(54) **EDITING CONTROL UNIT FOR AUDIO OR VIDEO DEVICE**

(75) Inventor: **Tetsuro Miyazaki**, Tokyo (JP)

(73) Assignee: **Sony Corporation**, Tokyo (JP)

(\*\*) Term: **14 Years**

(21) Appl. No.: **29/125,532**

(22) Filed: **Jun. 22, 2000**

(51) **LOC (7) Cl.** ..... **14-99**

(52) **U.S. Cl.** ..... **D14/217**

(58) **Field of Search** ..... D14/217, 239,  
D14/257, 399, 432, 454, 456; D13/162;  
345/160, 167, 168

(56) **References Cited**

**U.S. PATENT DOCUMENTS**

D. 349,290	*	8/1994	Christensen et al.	.....	D14/217
D. 366,261	*	1/1996	Splane, Jr. et al.	.....	D14/399
D. 378,212	*	2/1997	Sirois et al.	.....	D14/217 X
D. 405,796		2/1999	Uehara	.....	D14/218
D. 408,821		4/1999	Takahashi	.....	D14/218
D. 421,975	*	3/2000	Steel	.....	D14/399

**OTHER PUBLICATIONS**

“Video Equipment 2000”, p. 36 (DSRM-10), Sony, Jan. 2000.

\* cited by examiner

*Primary Examiner*—Nanda Bondade

(74) *Attorney, Agent, or Firm*—Rader, Fishman & Grauer, PLLC

(57) **CLAIM**

The ornamental design for an editing control unit for audio or video device, as shown and described.

**DESCRIPTION**

FIG. 1 is a perspective view of the front portion of an editing control unit for an audio or video device showing my new design;

FIG. 2 is a top plan view thereof;

FIG. 3 is a bottom plan view thereof;

FIG. 4 is a left side elevational view thereof;

FIG. 5 is a right side elevational view thereof; and,

FIG. 6 is a front elevational view thereof.

Portions in broken lines are for illustrative purposes only and form no part of claimed design.

**1 Claim, 4 Drawing Sheets**

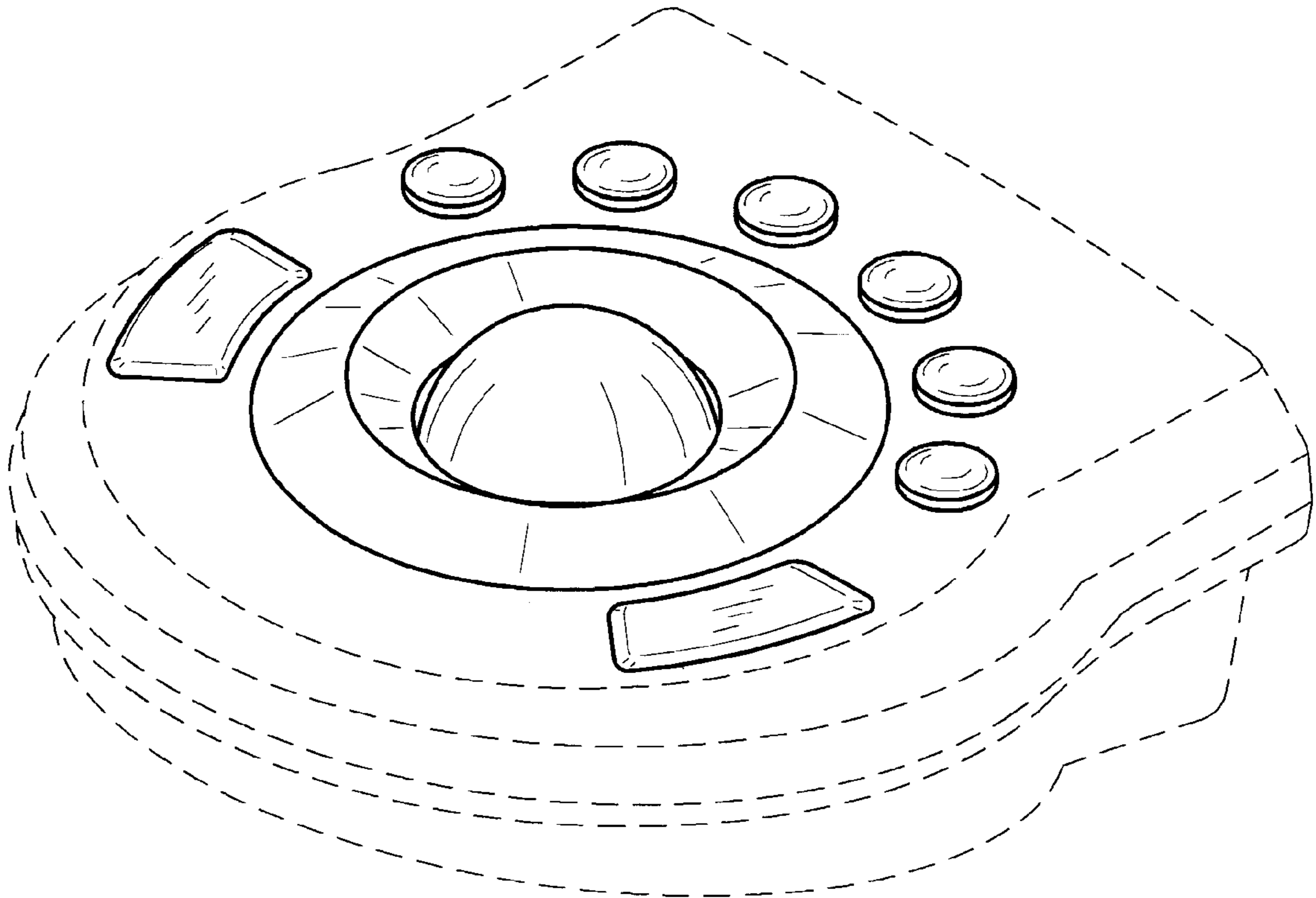


FIG. 1

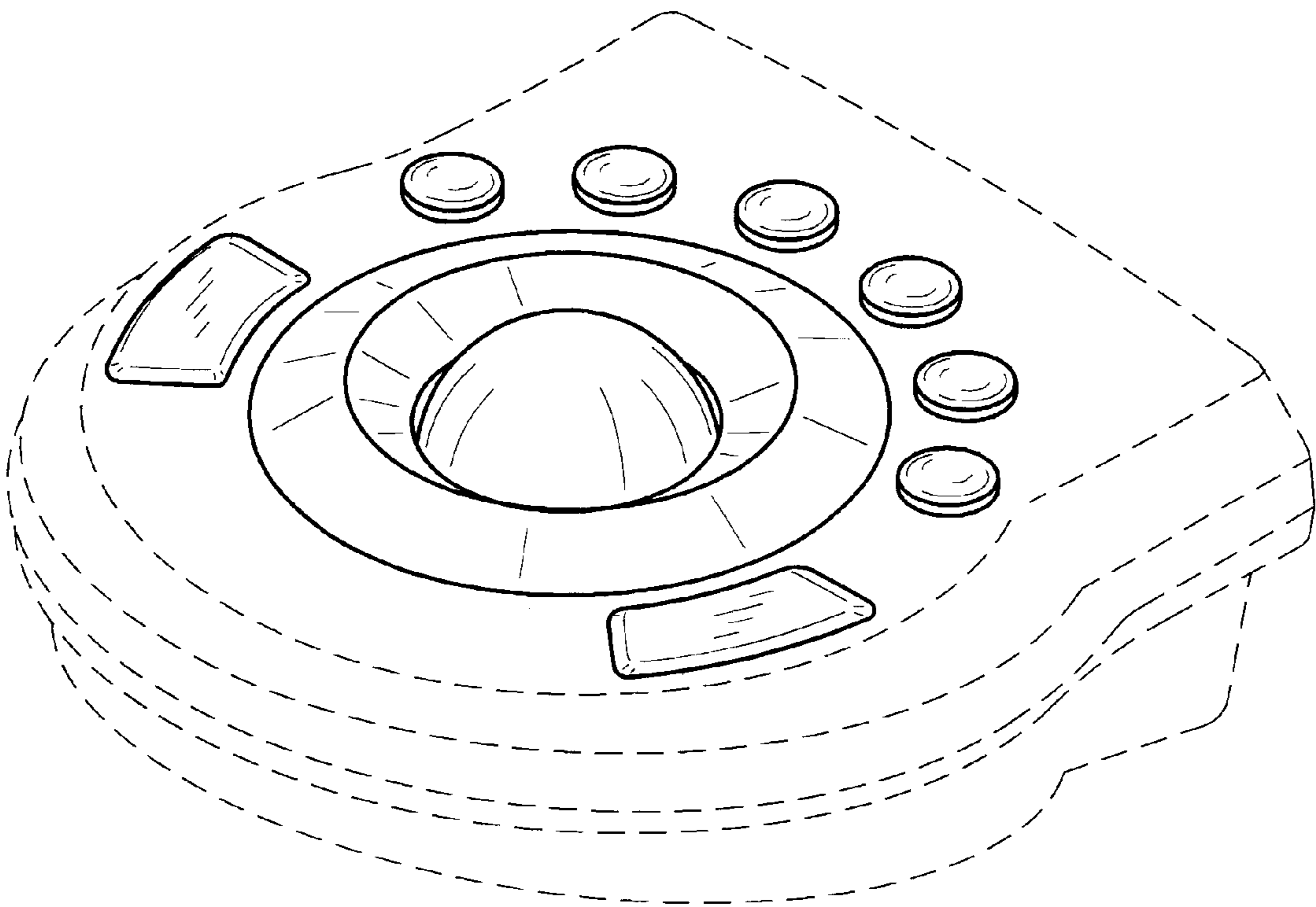


FIG. 2

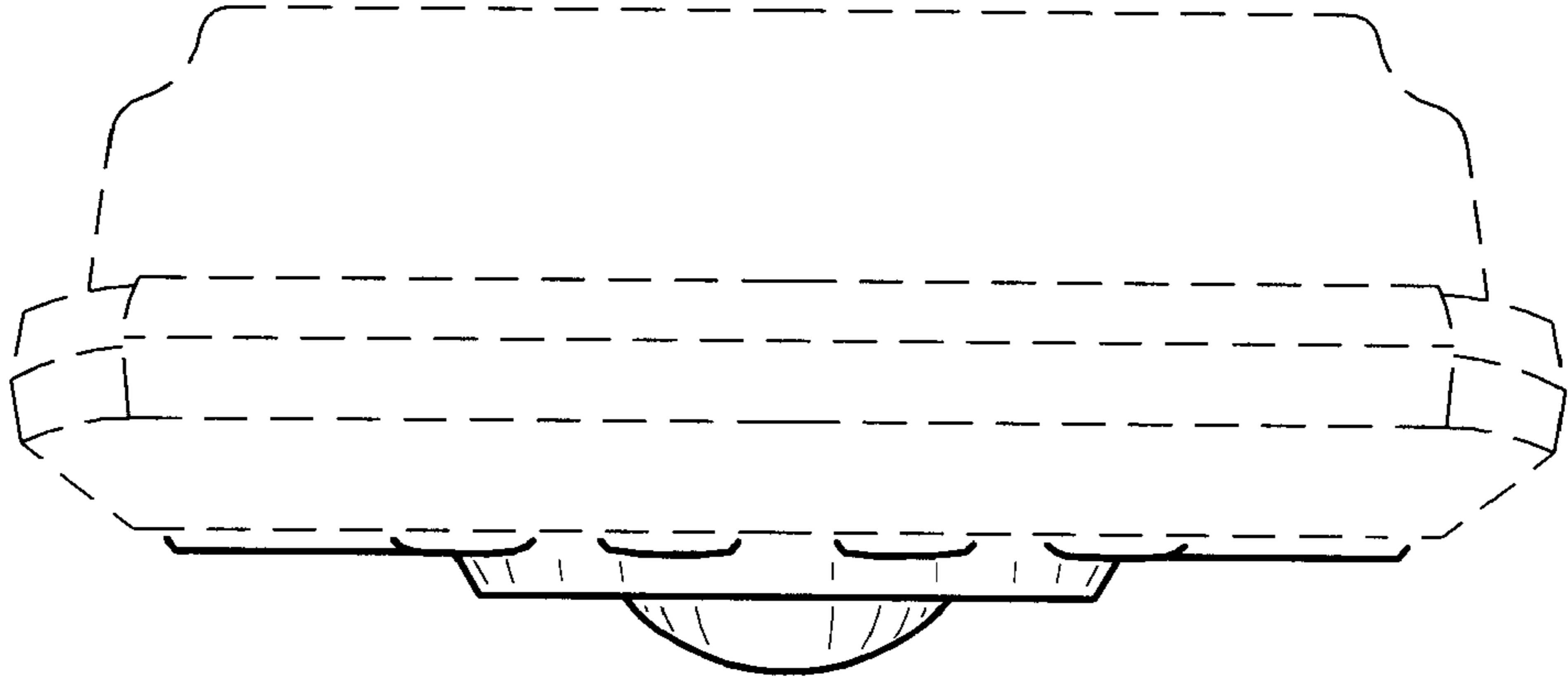


FIG. 3

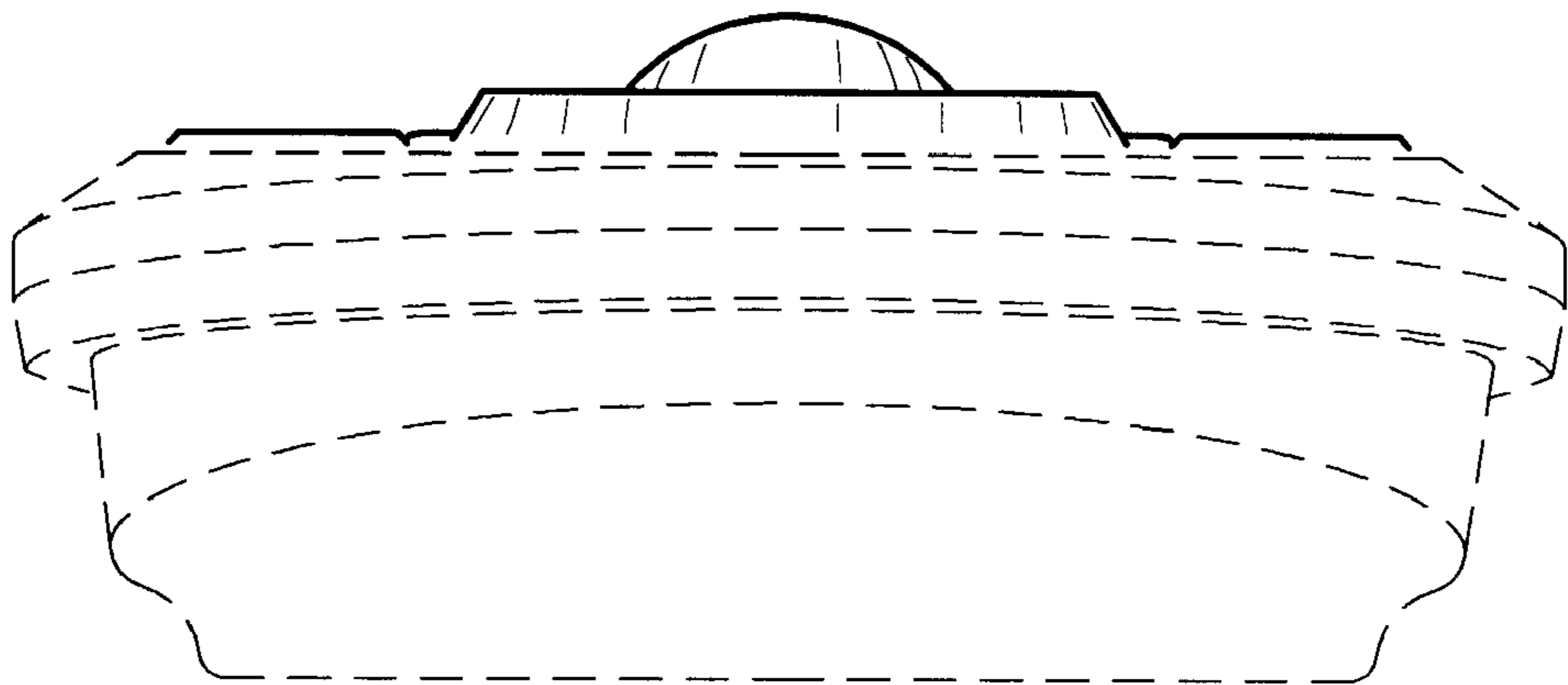


FIG. 4

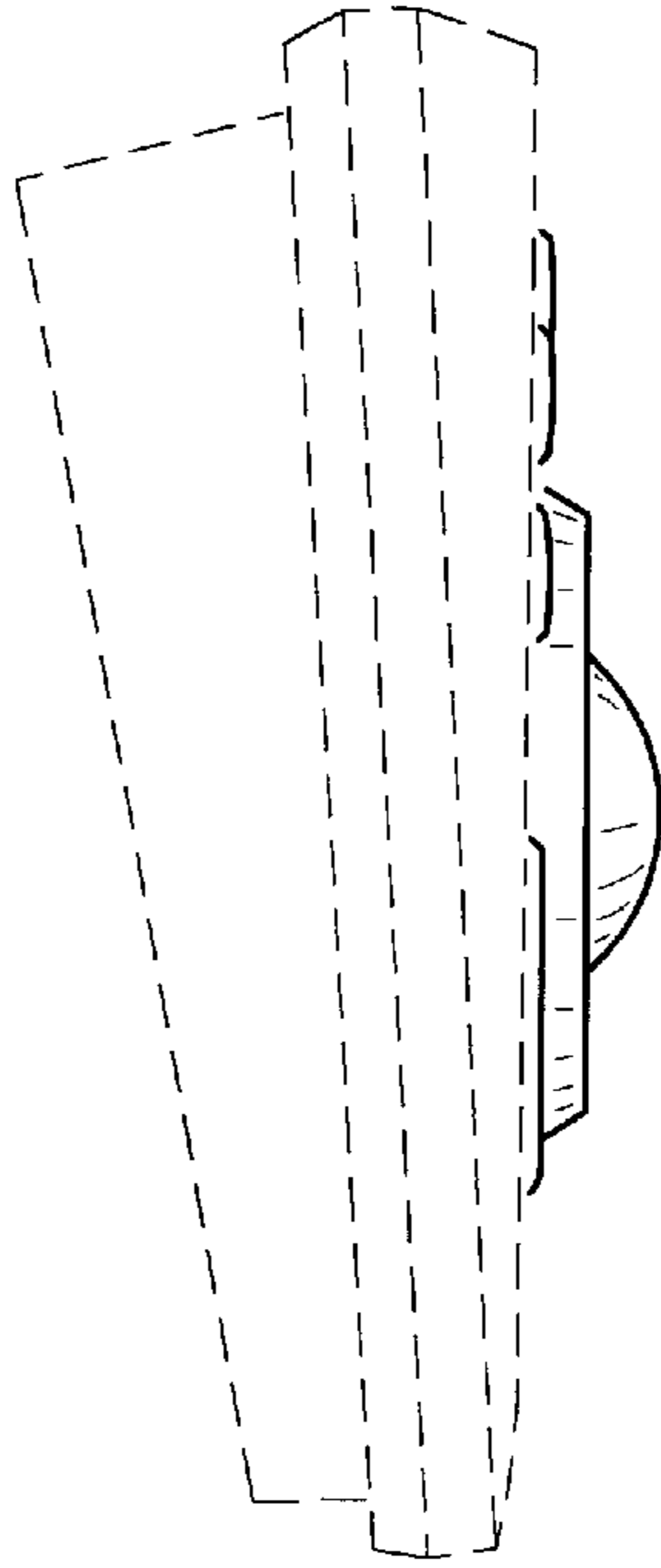


FIG. 5

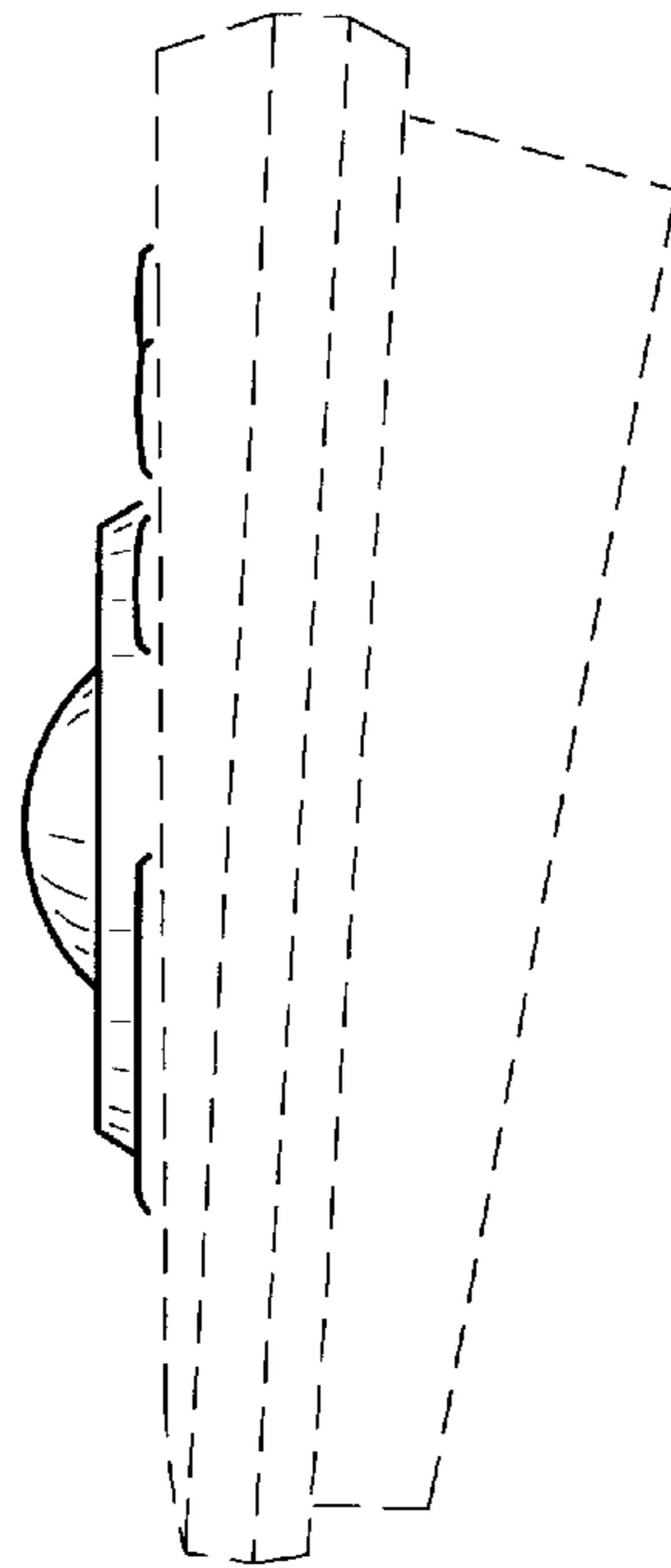


FIG. 6

